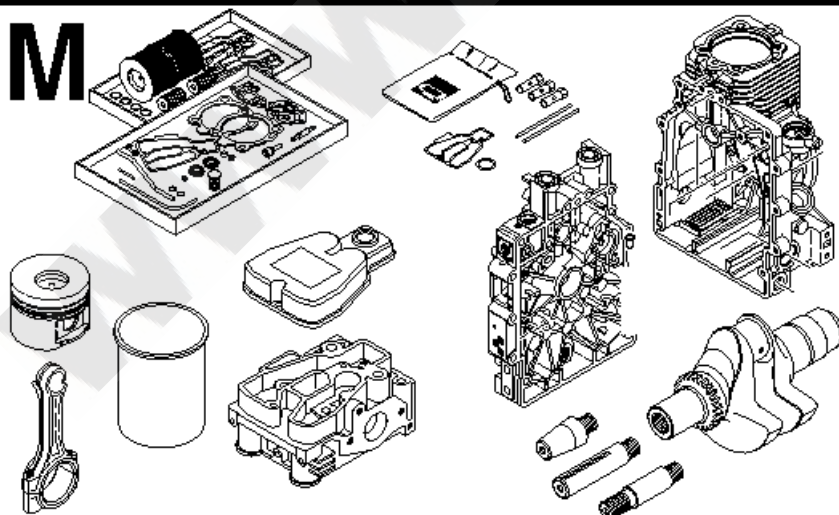


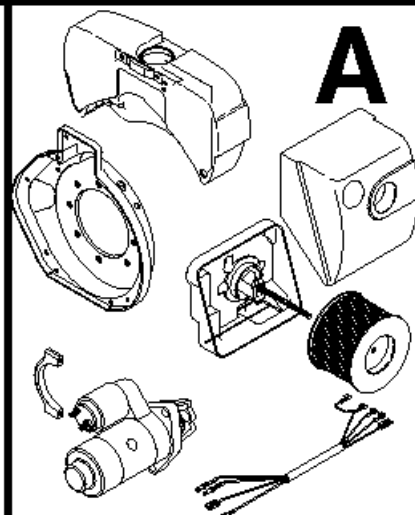
# 1B20.20

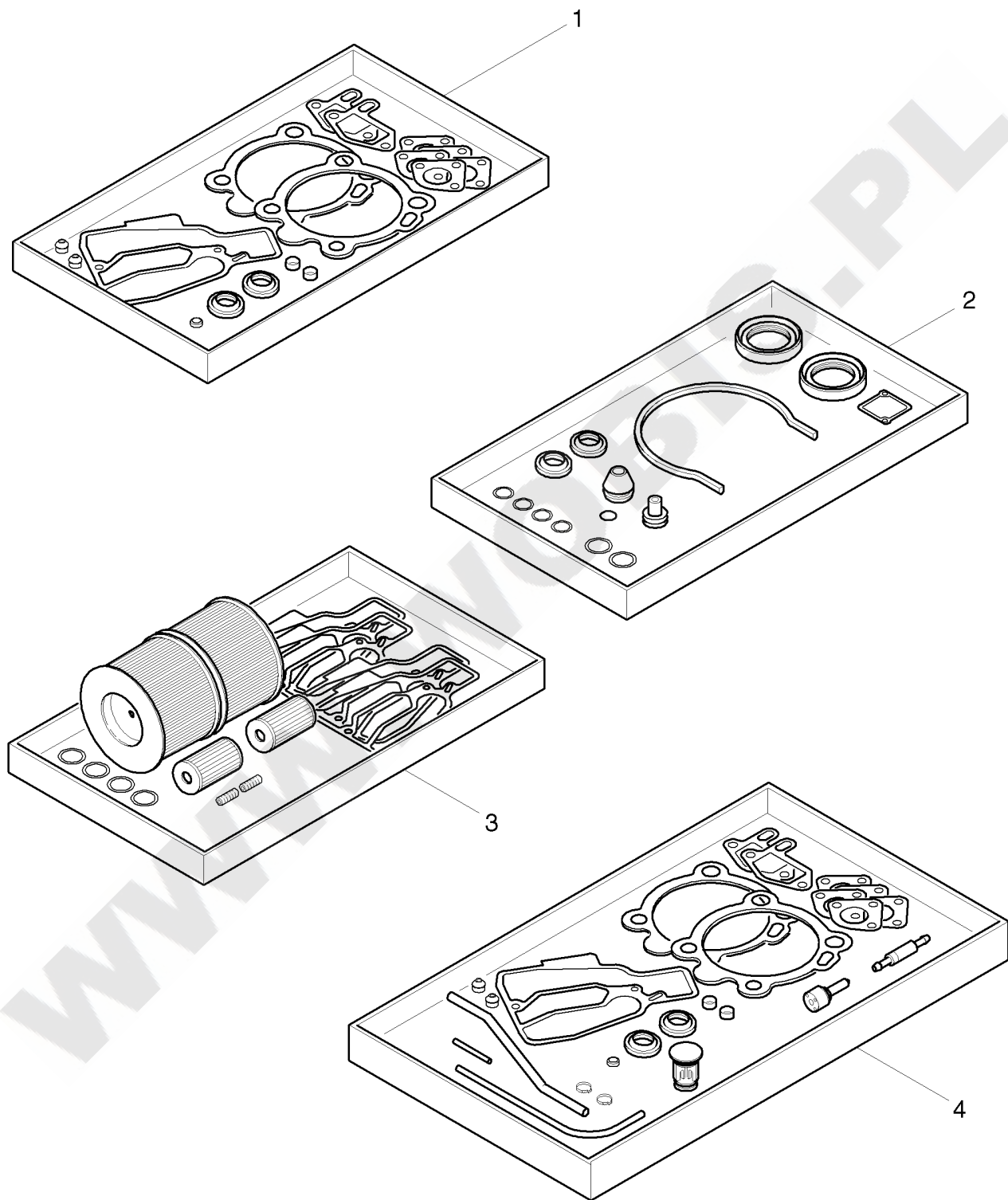


## M



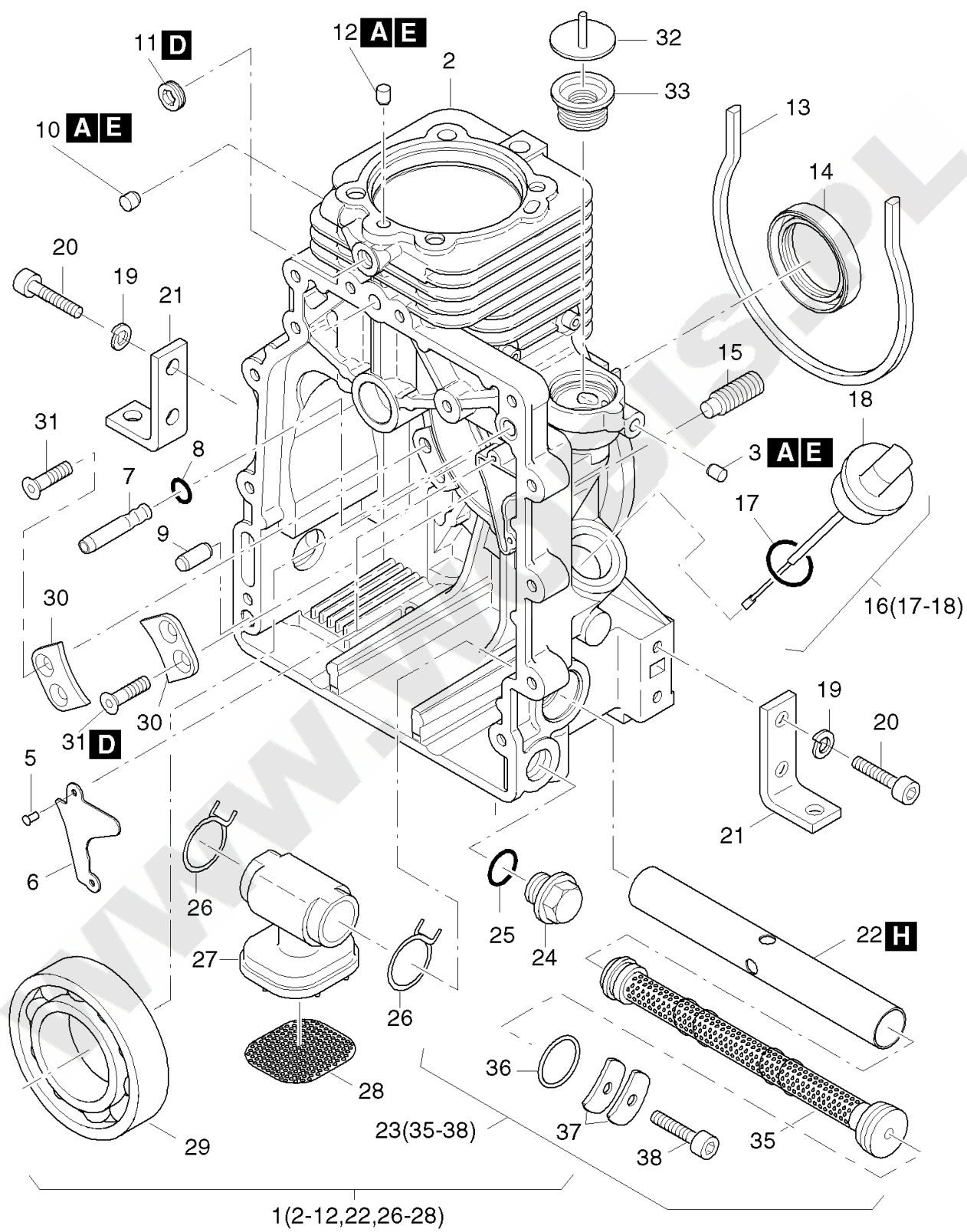
## A





**ORYGINALNE CZĘŚCI ZAMIENNE      SERWIS GWARANCYJNY I POGWARANCYJNY**  
**WYMIARY SERWISOWE ORAZ KATALOGI CZĘŚCI ZAMIENNYCH NA STRONIE [WWW.WOBIS.PL/SERWIS](http://WWW.WOBIS.PL/SERWIS)**

| Pos. | Part no. | Description         | Qty. | Notice                        | Add. notice | kg    | EA | TA | DA | dDPW | List price |
|------|----------|---------------------|------|-------------------------------|-------------|-------|----|----|----|------|------------|
| 1    | 01554100 | GSK.S.CYL.HEAD 1B20 | 1    | part was replaced by 01554101 |             | 0,000 | 0  | 12 | 7  | P1   |            |
| 2    | 01554200 | GASK.SET CRNKC.1B20 | 1    | part was replaced by 01554201 |             | 0,103 | 0  | 12 | 7  |      |            |
| 3    | 01554300 | MAINTENANC.KIT 1B20 | 1    |                               |             | 0,535 | 0  | 12 | 7  |      |            |
| 4    | 01554400 | EMERGENCY KIT 1B20  | 1    |                               |             | 0,290 | 1  | 12 | 0  |      |            |
|      |          |                     |      |                               |             |       |    |    |    |      |            |
|      |          |                     |      |                               |             |       |    |    |    |      |            |
|      |          |                     |      |                               |             |       |    |    |    |      |            |
|      |          |                     |      |                               |             |       |    |    |    |      |            |
|      |          |                     |      |                               |             |       |    |    |    |      |            |
|      |          |                     |      |                               |             |       |    |    |    |      |            |
|      |          |                     |      |                               |             |       |    |    |    |      |            |
|      |          |                     |      |                               |             |       |    |    |    |      |            |
|      |          |                     |      |                               |             |       |    |    |    |      |            |
|      |          |                     |      |                               |             |       |    |    |    |      |            |
|      |          |                     |      |                               |             |       |    |    |    |      |            |
|      |          |                     |      |                               |             |       |    |    |    |      |            |
|      |          |                     |      |                               |             |       |    |    |    |      |            |
|      |          |                     |      |                               |             |       |    |    |    |      |            |
|      |          |                     |      |                               |             |       |    |    |    |      |            |
|      |          |                     |      |                               |             |       |    |    |    |      |            |
|      |          |                     |      |                               |             |       |    |    |    |      |            |
|      |          |                     |      |                               |             |       |    |    |    |      |            |
|      |          |                     |      |                               |             |       |    |    |    |      |            |
|      |          |                     |      |                               |             |       |    |    |    |      |            |
|      |          |                     |      |                               |             |       |    |    |    |      |            |
|      |          |                     |      |                               |             |       |    |    |    |      |            |
|      |          |                     |      |                               |             |       |    |    |    |      |            |
|      |          |                     |      |                               |             |       |    |    |    |      |            |
|      |          |                     |      |                               |             |       |    |    |    |      |            |
|      |          |                     |      |                               |             |       |    |    |    |      |            |
|      |          |                     |      |                               |             |       |    |    |    |      |            |



**ORYGINALNE CZĘŚCI ZAMIENNE      SERWIS GWARANCYJNY I POGWARANCYJNY**  
**WYMIARY SERWISOWE ORAZ KATALOGI CZĘŚCI ZAMIENNYCH NA STRONIE WWW.WOBIS.PL/SERWIS**

| Pos. | Part no. | Description         | Qty. | Notice   | Add. notice | kg    | EA | TA | DA | dDPW   | List price |
|------|----------|---------------------|------|--|-------------|-------|----|----|----|--------|------------|
| 1    | 01552210 | CRANKCASE           | 1    | part was replaced by 01552211                                |             | 0,000 | 0  | 12 | 7  |        |            |
| 2    | _noorder | No single order     | -    |  |             |       |    |    |    |        |            |
| 3    | _noorder | No single order     | -    |  |             |       |    |    |    |        |            |
| 5    | 40002600 | BLINDRIVET3,2K44311 | 2    | 3,2  |             | 0,001 | 4  | 11 | 1  |        |            |
| 6    | 04105400 | COVER SHEET         | 1    |  |             | 0,007 | 1  | 11 | 1  |        |            |
| 7    | 05084300 | CONNECTING NIPPLE   | 1    |  |             | 0,010 | 1  | 11 | 1  |        |            |
| 8    | 50440300 | O-RING 8 X1,5       | 1    | 8 x 1,5  |             | 0,001 | 4  | 11 | 1  | D1     |            |
| 9    | 50249101 | CYL.PIN 8M 6 X 20   | 1    | 8 M 6 x 20 DIN 6325 2-Fasen<br>part was replaced by 50249102 |             | 0,005 | 9  | 11 | 0  |        |            |
| 10   | _noorder | No single order     | -    |  |             |       |    |    |    |        |            |
| 11   | 50062300 | CLOS.SCREW M10X1    | 1    | M 10 x 1 DIN 908-5.8 A3C                                     |             | 0,005 | 4  | 11 | 1  |        |            |
| 12   | _noorder | No single order     | -    |  |             |       |    |    |    |        |            |
| 13   | 04098000 | SEALG.STRIP 318 MM  | 1    | 318 mm   |             | 0,008 | 1  | 11 | 1  | D1     |            |
| 14   | 50423200 | OIL SEAL 40X55X10   | 1    | 40 x 55 x 10 AS DIN 3760-ST                                  |             | 0,024 | 4  | 11 | 1  | D1     |            |
| 15   | 04115200 | GRUB SCREW          | 1    | part was replaced by 04150600                                |             | 0,000 | 0  | 11 | 7  |        |            |
| 16   | 01316000 | DIPSTICK            | 1    |  |             | 0,030 | 1  | 11 | 1  |        |            |
| 17   | 04125000 | SEALING RING        | 1    | 26 x 35 x3   |             | 0,002 | 1  | 11 | 1  | zzNein |            |
| 18   | _noorder | No single order     | -    |  |             |       |    |    |    |        |            |
| 19   | 50208500 | SPRING WASHER 8     | 8    | 8 DIN 128 A3C  |             | 0,001 | 4  | 11 | 1  | zzNein |            |
| 20   | 04121900 | ALL.SCR. M 8X 35    | 8    | M 8 x 35 A3C   |             | 0,016 | 1  | 11 | 1  |        |            |
| 21   | 04099302 | ENGINE BRACKET      | 4    |  |             | 0,103 | 1  | 11 | 1  |        |            |
| 22   | 04105710 | TUBE F. OILFILTER   | 1    |  |             | 0,087 | 1  | 11 | 1  |        |            |
| 23   | 01542702 | OIL SUCTION FILTER  | 1    | part was replaced by 01542703                                |             | 0,038 | 0  | 11 | 7  |        |            |
| 24   | 50373100 | DRAIN PLG.MAGNT.M22 | 1    | AM22x1,5DIN7604A3C MAGN.                                     |             | 0,038 | 4  | 11 | 1  | W1     |            |
| 25   | 50469800 | JOINT A22X27        | 1    | A 22 x 27 DIN 7603 - Vf                                      |             | 0,001 | 4  | 11 | 0  | W4,D2  |            |
| 26   | 05036900 | HOSE CLIP           | 2    |  |             | 0,003 | 4  | 11 | 1  |        |            |
| 27   | 04104400 | SUCTION BELL        | 1    | part was replaced by 04163000                                |             | 0,042 | 0  | 11 | 7  |        |            |
| 28   | 04104500 | SIEVE               | 1    | part was replaced by 04163000                                |             | 0,000 | 0  | 11 | 0  |        |            |
| 29   | 50423300 | GROOV.BALLBEAR.6308 | 1    | DIN 625  |             | 0,634 | 4  | 11 | 1  |        |            |
| 30   | 04094400 | PLATE               | 2    |  |             | 0,014 | 1  | 11 | 1  |        |            |

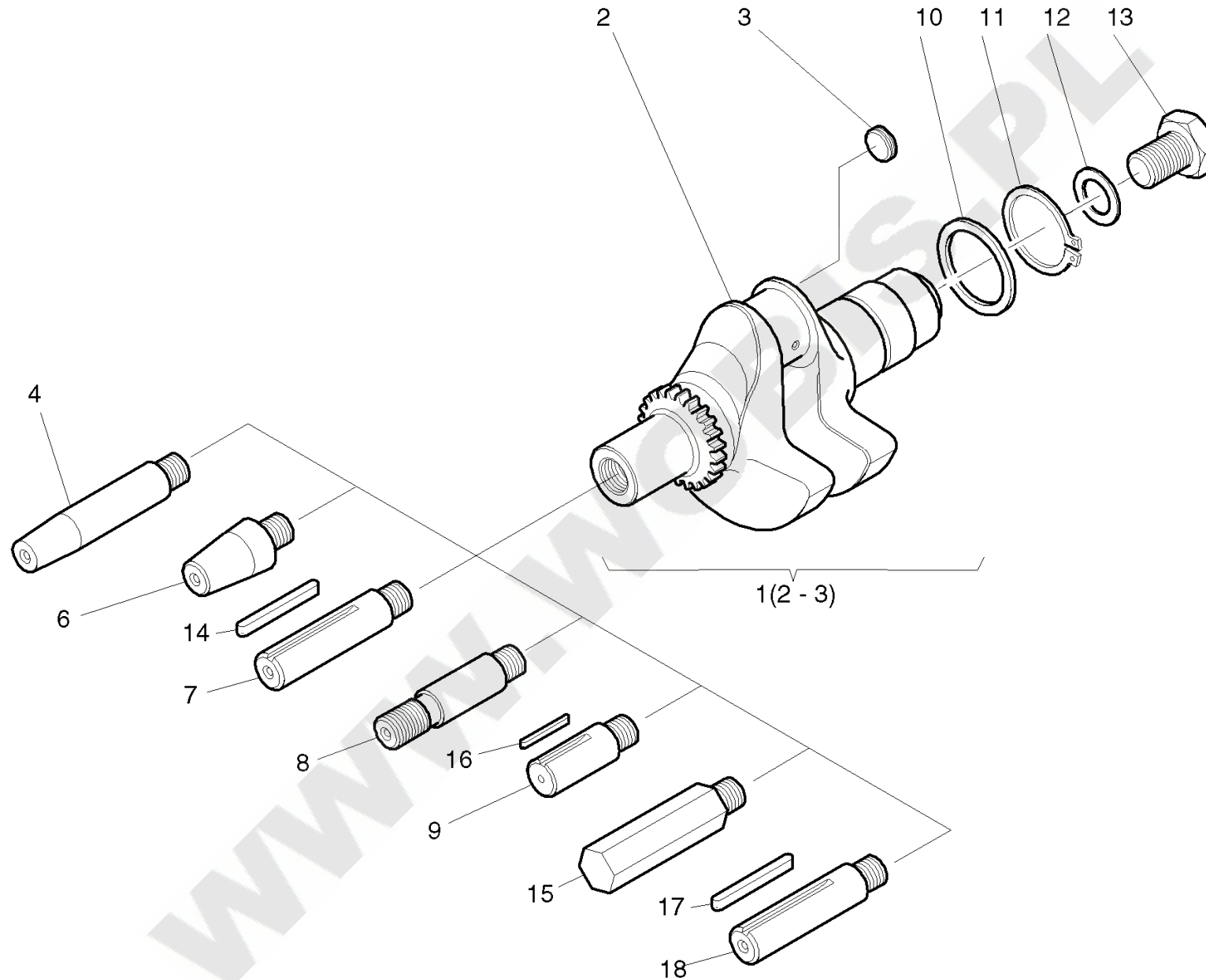
**ORYGINALNE CZĘŚCI ZAMIENNE      SERWIS GWARANCYJNY I POGWARANCYJNY**  
**WYMIARY SERWISOWE ORAZ KATALOGI CZĘŚCI ZAMIENNYCH NA STRONIE [WWW.WOBIS.PL/SERWIS](http://WWW.WOBIS.PL/SERWIS)**

| Pos. | Part no. | Description         | Qty. | Notice                        | Add. notice | kg    | EA | TA | DA | dDPW | List price |
|------|----------|---------------------|------|-------------------------------|-------------|-------|----|----|----|------|------------|
| 31   | 50328000 | CTR.SUNK SCR.AM6X16 | 4    | AM 6 x 16 17065 - 8.8 Zn      |             | 0,004 | 4  | 11 | 1  |      |            |
| 32   | 01555800 | COVER               | 1    |                               |             | 0,006 | 1  | 11 | 1  |      |            |
| 33   | 03568700 | DIAPHRAGM           | 1    | part was replaced by 03568701 |             | 0,004 | 0  | 11 | 7  |      |            |
| 35   | _noorder | No single order     | -    |                               |             |       |    |    |    |      |            |
| 36   | 50475901 | O-RING 20X4         | 1    | 20 x 4                        |             | 0,002 | 4  | 11 | 1  |      |            |
| 37   | 05148200 | PLATE SPRING        | 2    |                               |             | 0,002 | 1  | 11 | 1  |      |            |
| 38   | 50170700 | ALL.SCR.M 6 X 16    | 1    | M 6 x 16 DIN 912-8.8 A3C      |             | 0,006 | 4  | 11 | 1  |      |            |
| A    | 50223001 | LOCTITE ACTIVATOR N | 1    | 500 ML DIN 7649               |             | 0,580 | 4  | 12 | 0  |      |            |
| D    | 50223300 | LOCTITE 221         | 1    | 50 ML                         |             | 0,077 | 4  | 12 | 0  |      |            |
| E    | 50223400 | LOCTITE 648         | 1    | 10 ML                         |             | 0,021 | 4  | 12 | 0  |      |            |
| H    | 50282501 | SILICON SEALER      | 1    | 30ML 1207                     |             | 0,055 | 4  | 12 | 1  |      |            |
|      |          |                     |      |                               |             |       |    |    |    |      |            |
|      |          |                     |      |                               |             |       |    |    |    |      |            |
|      |          |                     |      |                               |             |       |    |    |    |      |            |
|      |          |                     |      |                               |             |       |    |    |    |      |            |
|      |          |                     |      |                               |             |       |    |    |    |      |            |
|      |          |                     |      |                               |             |       |    |    |    |      |            |
|      |          |                     |      |                               |             |       |    |    |    |      |            |
|      |          |                     |      |                               |             |       |    |    |    |      |            |
|      |          |                     |      |                               |             |       |    |    |    |      |            |
|      |          |                     |      |                               |             |       |    |    |    |      |            |
|      |          |                     |      |                               |             |       |    |    |    |      |            |
|      |          |                     |      |                               |             |       |    |    |    |      |            |
|      |          |                     |      |                               |             |       |    |    |    |      |            |
|      |          |                     |      |                               |             |       |    |    |    |      |            |
|      |          |                     |      |                               |             |       |    |    |    |      |            |
|      |          |                     |      |                               |             |       |    |    |    |      |            |
|      |          |                     |      |                               |             |       |    |    |    |      |            |
|      |          |                     |      |                               |             |       |    |    |    |      |            |
|      |          |                     |      |                               |             |       |    |    |    |      |            |
|      |          |                     |      |                               |             |       |    |    |    |      |            |

**AUTORYZOWANY SERWIS HATZ      [WWW.WOBIS.PL](http://WWW.WOBIS.PL)      [hatz@wobis.pl](mailto:hatz@wobis.pl)**

**P.P.U.H. WOBIS 41-803 ZABRZE ul.BYTOMSKA 135      TEL. 032 275 32 26      FAX. 032 274 63 96**

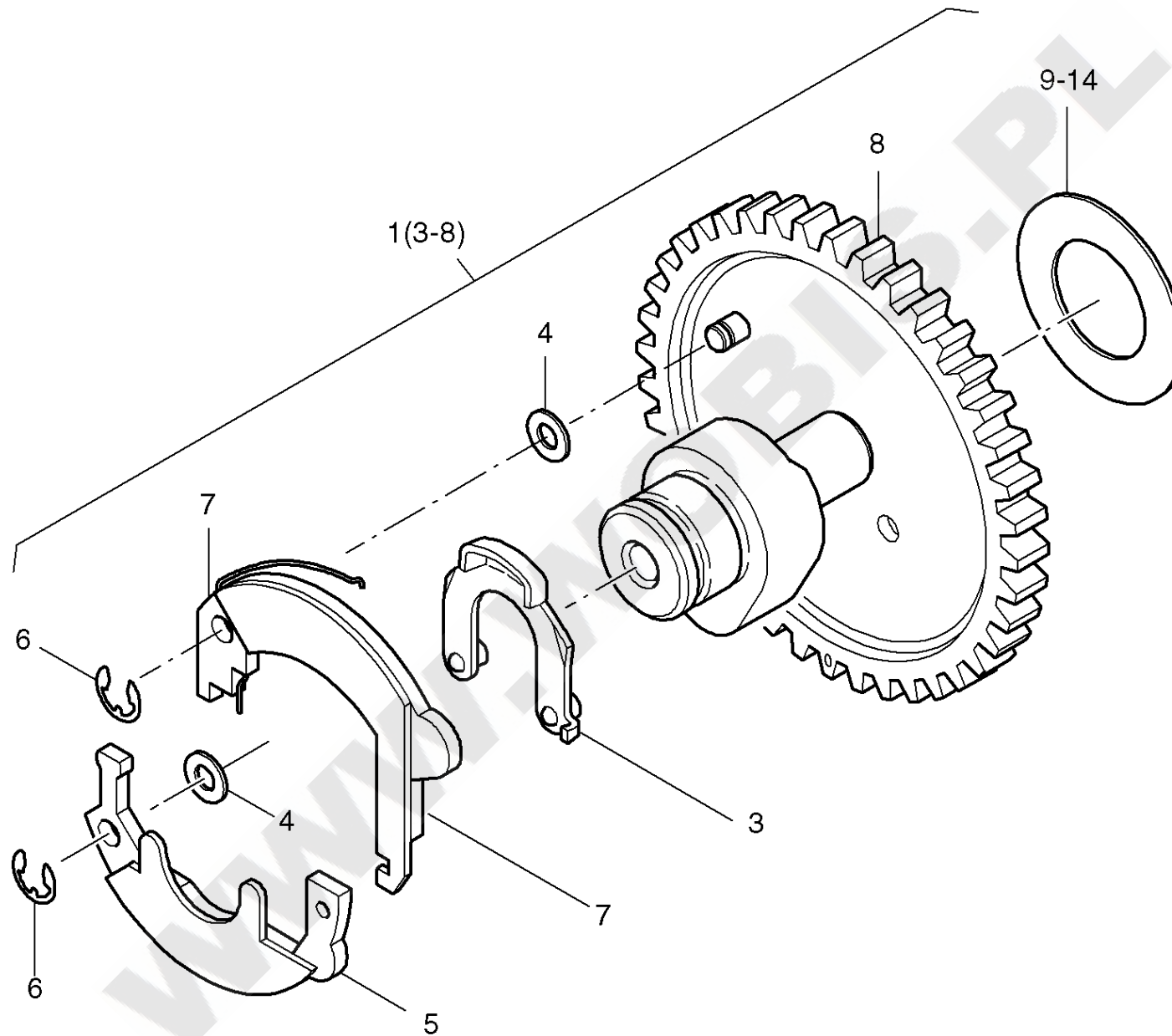
**ORYGINALNE CZĘŚCI ZAMIENNE      SERWIS GWARANCYJNY I POGWARANCYJNY**  
**WYMIARY SERWISOWE ORAZ KATALOGI CZĘŚCI ZAMIENNYCH NA STRONIE [WWW.WOBIS.PL/SERWIS](http://WWW.WOBIS.PL/SERWIS)**



**ORYGINALNE CZĘŚCI ZAMIENNE      SERWIS GWARANCYJNY I POGWARANCYJNY**  
**WYMIARY SERWISOWE ORAZ KATALOGI CZĘŚCI ZAMIENNYCH NA STRONIE [WWW.WOBIS.PL/SERWIS](http://WWW.WOBIS.PL/SERWIS)**

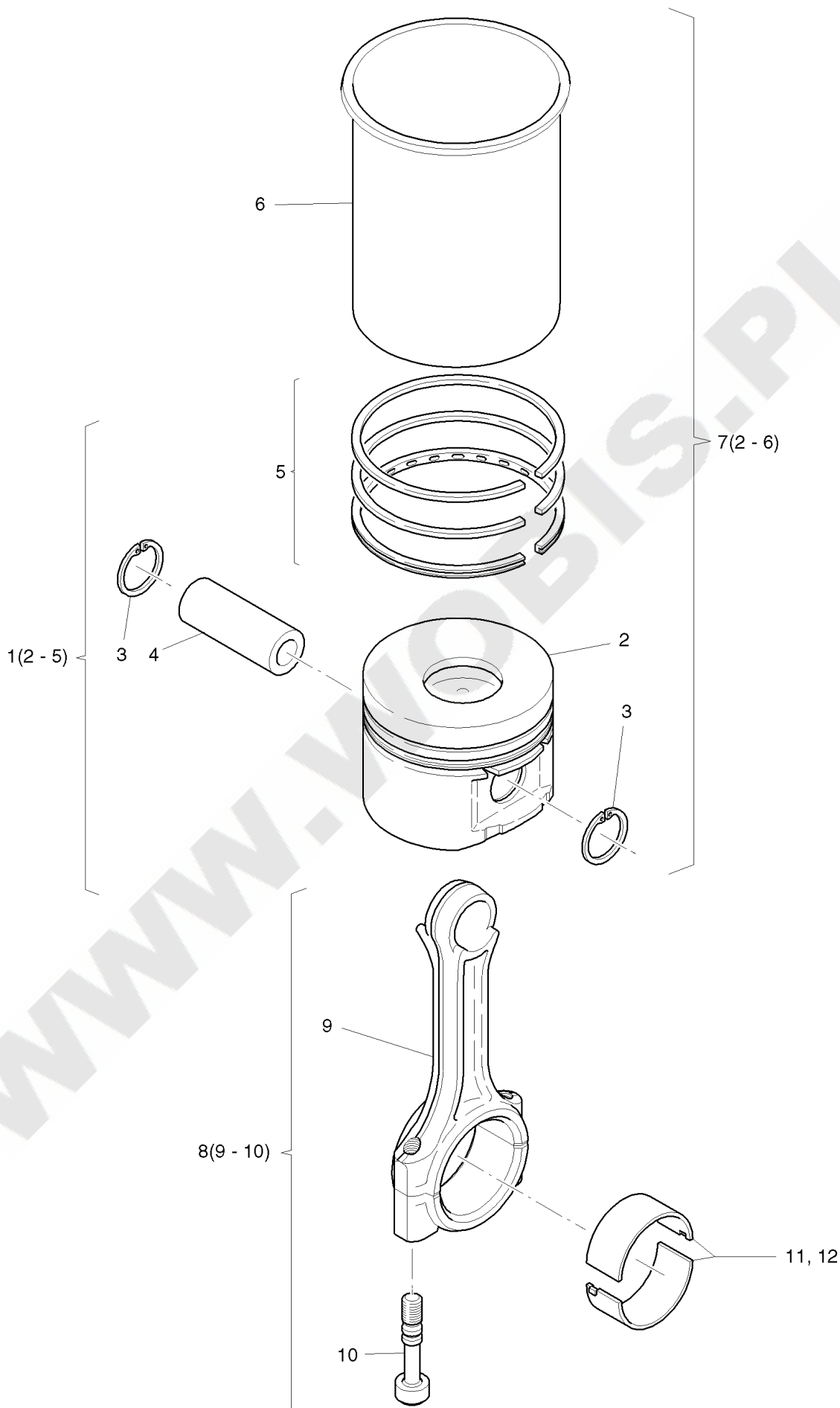
| <b>Pos.</b> | <b>Part no.</b> | <b>Description</b>  | <b>Qty.</b> | <b>Notice</b>  | <b>Add. notice</b> | <b>kg</b> | <b>EA</b> | <b>TA</b> | <b>DA</b> | <b>dDPW</b> | <b>List price</b> |
|-------------|-----------------|---------------------|-------------|--|--------------------|-----------|-----------|-----------|-----------|-------------|-------------------|
| 1           | 01552700        | CRANKSHAFT NO.X     | 1           | part was replaced by 01552701                              |                    | 0,000     | 0         | 11        | 7         |             |                   |
| 2           | _noorder        | No single order     | -           |  |                    |           |           |           |           |             |                   |
| 3           | 04125300        | CLOSING PLUG 12MM   | 1           | part was replaced by 50300801                              |                    | 0,001     | 0         | 11        | 7         |             |                   |
| 4           | 05099600        | STUBSHAFT SAE GEN.  | 1           | Nr. 4 SAE Generator ø 19,8 mm                              |                    | 0,000     | 0         | 21        | 7         |             |                   |
| 6           | 05099700        | STUBSHAFT TAP. NO.6 | 1           | Nr. 6 ital. 23 keg., con.<br>part was replaced by 05099701 |                    | 0,000     | 0         | 21        | 7         |             |                   |
| 7           | 05099800        | STUBSHAFT CYL.3/4"  | 1           | Nr. 7 - ø 3/4" zyl., cil.<br>part was replaced by 05099801 |                    | 0,190     | 0         | 21        | 7         |             |                   |
| 8           | 05099900        | STUBSHAFT SAE3/4UNF | 1           | Nr. 8 SAE 3/4" - 16 UNF 2A                                 |                    | 0,000     | 0         | 21        | 7         |             |                   |
| 9           | 05100000        | STUBSHAFT CYL.20MM  | 1           | ø 20 zyl., cil.<br>part was replaced by 05100001           |                    | 0,185     | 0         | 21        | 7         |             |                   |
| 10          | 40032500        | SUPPORTING DISC     | 1           | 40 x 50 x 2,5 DIN 988                                      |                    | 0,012     | 4         | 11        | 1         |             |                   |
| 11          | 50120600        | CIRCLIP A40X1,75    | 1           | A 40 x 1,75 DIN 471  |                    | 0,006     | 4         | 11        | 1         |             |                   |
| 12          | 04114201        | DISC 18,5X37X5      | 1           | 18,5 x 37 x 5  |                    | 0,031     | 1         | 11        | 1         |             |                   |
| 13          | 50443600        | HEXSCREW M18X1,5X55 | 1           | M 18 x 1,5 x 55 DIN 961 - 10.9                             |                    | 0,150     | 4         | 11        | 1         |             |                   |
| 14          | 04120400        | FITTINGKEY          | 1           | 4,75 x 30  |                    | 0,005     | 1         | 11        | 1         |             |                   |
| 15          | 05107301        | STUBSHAFT HEXAGON   | 1           | SW 27 mm, ø 26,8 mm  |                    | 0,000     | 0         | 21        | 7         |             |                   |
| 16          | 50463400        | FITTINGKEY A 5X5X36 | 1           | A 5 x 5 x 36 DIN 6885                                      |                    | 0,006     | 4         | 21        | 4         |             |                   |
| 17          | 50463400        | FITTINGKEY A 5X5X36 | 1           | A 5 x 5 x 36 DIN 6885                                      |                    | 0,006     | 4         | 21        | 4         |             |                   |
| 18          | 04152500        | STUBSHAFT CIL. 22,2 | 1           | ø 22,2 zyl., cil.<br>part was replaced by 04152501         |                    | 0,000     | 0         | 21        | 7         |             |                   |
|             |                 |                     |             |  |                    |           |           |           |           |             |                   |
|             |                 |                     |             |  |                    |           |           |           |           |             |                   |
|             |                 |                     |             |  |                    |           |           |           |           |             |                   |
|             |                 |                     |             |  |                    |           |           |           |           |             |                   |
|             |                 |                     |             |  |                    |           |           |           |           |             |                   |
|             |                 |                     |             |  |                    |           |           |           |           |             |                   |
|             |                 |                     |             |  |                    |           |           |           |           |             |                   |
|             |                 |                     |             |  |                    |           |           |           |           |             |                   |
|             |                 |                     |             |  |                    |           |           |           |           |             |                   |
|             |                 |                     |             |  |                    |           |           |           |           |             |                   |
|             |                 |                     |             |  |                    |           |           |           |           |             |                   |
|             |                 |                     |             |  |                    |           |           |           |           |             |                   |
|             |                 |                     |             |  |                    |           |           |           |           |             |                   |





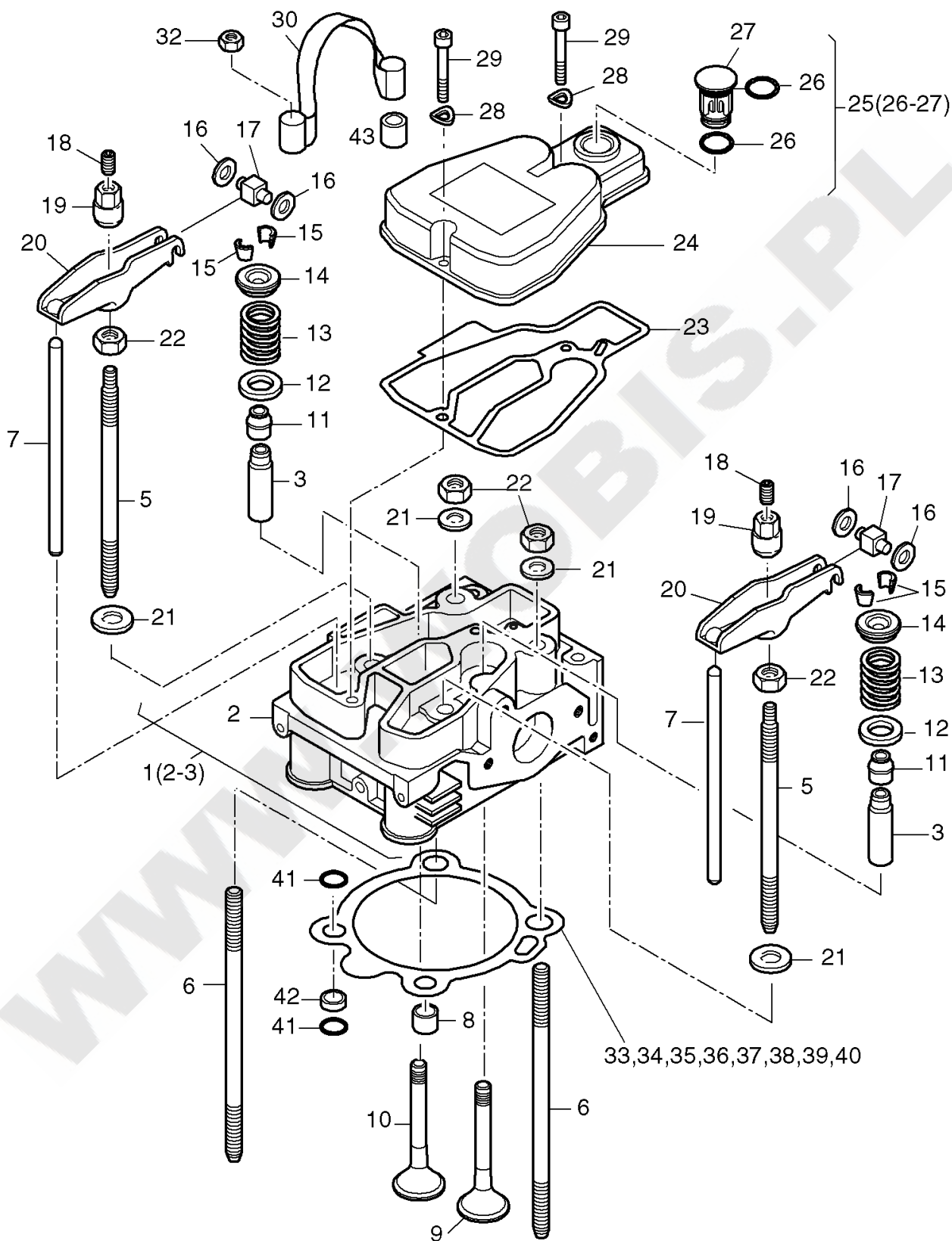
**ORYGINALNE CZĘŚCI ZAMIENNE      SERWIS GWARANCYJNY I POGWARANCYJNY**  
**WYMIARY SERWISOWE ORAZ KATALOGI CZĘŚCI ZAMIENNYCH NA STRONIE [WWW.WOBIS.PL/SERWIS](http://WWW.WOBIS.PL/SERWIS)**

| Pos. | Part no. | Description        | Qty.   | Notice                        | Add. notice | kg    | EA | TA | DA | dDPW | List price |
|------|----------|--------------------|--------|-------------------------------|-------------|-------|----|----|----|------|------------|
| 1    | 01503520 | CAMSHAFT           | 1      |                               |             | 0,415 | 0  | 11 | 7  |      |            |
| 3    | 01326400 | CAMLEVER           | 1      | part was replaced by 01326401 |             | 0,015 | 0  | 11 | 7  |      |            |
| 4    | 50123200 | SHIM 5X10X0,5      | 2      | 5 x 10 x 0,5 DIN 988          |             | 0,001 | 4  | 11 | 1  |      |            |
| 5    | 01326600 | FLYWEIGHT          | 1      |                               |             | 0,028 | 1  | 11 | 1  |      |            |
| 6    | 50255300 | LOCKING WASHER 3,2 | 2      | 3,2 DIN 6799                  |             | 0,001 | 4  | 11 | 1  |      |            |
| 7    | 01326500 | FLYWEIGHT          | 1      | part was replaced by 01326501 |             | 0,000 | 0  | 11 | 7  |      |            |
| 8    | _noorder | No single order    | -      |                               |             |       |    |    |    |      |            |
| 9    | 04121700 | WASHER 23X38X0,9   | 0... 1 | 0,9 mm 23 x 38 x 0,9          |             | 0,005 | 1  | 11 | 1  |      |            |
| 10   | 04112100 | SHIM 23X38X1,0     | 0... 1 | 1,0 mm 23 x 38 x 1,0          |             | 0,005 | 1  | 11 | 1  |      |            |
| 11   | 04112200 | SHIM 23X38X1,1     | 0... 1 | 1,1 mm 23 x 38 x 1,1          |             | 0,001 | 1  | 11 | 1  |      |            |
| 12   | 04112300 | SHIM23X38X1,2      | 0... 1 | 1,2 mm 23 x 38 x 1,2          |             | 0,001 | 1  | 11 | 1  |      |            |
| 13   | 04125100 | WASHER 23X38X1,3   | 0... 1 | 1,3 mm 23 x 38 x 1,3          |             | 0,007 | 1  | 11 | 1  |      |            |
| 14   | 04125200 | WASHER 23X38X1,4   | 0... 1 | 1,4 mm 23 x 38 x 1,4          |             | 0,007 | 1  | 11 | 1  |      |            |
|      |          |                    |        |                               |             |       |    |    |    |      |            |
|      |          |                    |        |                               |             |       |    |    |    |      |            |
|      |          |                    |        |                               |             |       |    |    |    |      |            |
|      |          |                    |        |                               |             |       |    |    |    |      |            |
|      |          |                    |        |                               |             |       |    |    |    |      |            |
|      |          |                    |        |                               |             |       |    |    |    |      |            |
|      |          |                    |        |                               |             |       |    |    |    |      |            |
|      |          |                    |        |                               |             |       |    |    |    |      |            |
|      |          |                    |        |                               |             |       |    |    |    |      |            |
|      |          |                    |        |                               |             |       |    |    |    |      |            |
|      |          |                    |        |                               |             |       |    |    |    |      |            |
|      |          |                    |        |                               |             |       |    |    |    |      |            |
|      |          |                    |        |                               |             |       |    |    |    |      |            |
|      |          |                    |        |                               |             |       |    |    |    |      |            |
|      |          |                    |        |                               |             |       |    |    |    |      |            |
|      |          |                    |        |                               |             |       |    |    |    |      |            |
|      |          |                    |        |                               |             |       |    |    |    |      |            |
|      |          |                    |        |                               |             |       |    |    |    |      |            |
|      |          |                    |        |                               |             |       |    |    |    |      |            |
|      |          |                    |        |                               |             |       |    |    |    |      |            |
|      |          |                    |        |                               |             |       |    |    |    |      |            |
|      |          |                    |        |                               |             |       |    |    |    |      |            |
|      |          |                    |        |                               |             |       |    |    |    |      |            |
|      |          |                    |        |                               |             |       |    |    |    |      |            |



**ORYGINALNE CZĘŚCI ZAMIENNE      SERWIS GWARANCYJNY I POGWARANCYJNY**  
**WYMIARY SERWISOWE ORAZ KATALOGI CZĘŚCI ZAMIENNYCH NA STRONIE [WWW.WOBIS.PL/SERWIS](http://WWW.WOBIS.PL/SERWIS)**

| <b>Pos.</b> | <b>Part no.</b> | <b>Description</b>  | <b>Qty.</b> | <b>Notice</b>                                  | <b>Add. notice</b> | <b>kg</b> | <b>EA</b> | <b>TA</b> | <b>DA</b> | <b>dDPW</b> | <b>List price</b> |
|-------------|-----------------|---------------------|-------------|--|--------------------|-----------|-----------|-----------|-----------|-------------|-------------------|
| 1           | 01317100        | PISTON 69 NON-EPA   | 1           | 69 mm NON EPA<br>part was replaced by 01387501 |                    | 0,345     | 0         | 11        | 7         |             |                   |
| 2           | _noorder        | No single order     | -           |  |                    |           |           |           |           |             |                   |
| 3           | 50425500        | CIRCLIP 18X1        | 2           | 18 x 1 DIN 472                                 |                    | 0,001     | 4         | 13        | 1         |             |                   |
| 4           | _noorder        | No single order     | -           |  |                    |           |           |           |           |             |                   |
| 5           | 01348000        | PISTON RING SET 69  | 1           | 1,5-1,5-3,0mm                                  |                    | 0,021     | 4         | 13        | 1         |             |                   |
| 5           | 01317200        | PISTON RING SET 69  | 1           | 1,75-1,75-3,0mm NON EPA                        |                    | 0,031     | 4         | 13        | 0         |             |                   |
| 6           | _noorder        | No single order     | -           |  |                    |           |           |           |           |             |                   |
| 7           | 01554500        | CYL.W.PISTON NONEPA | 1           | NON EPA  |                    | 0,800     | 1         | 12        | 0         |             |                   |
| 8           | 01500100        | CONROD              | 1           |  |                    | 0,335     | 1         | 11        | 1         |             |                   |
| 9           | _noorder        | No single order     | -           |  |                    |           |           |           |           |             |                   |
| 10          | 05046900        | CONROD SCREW        | 2           |  |                    | 0,013     | 1         | 11        | 1         |             |                   |
| 11          | 01575700        | BIG END BEARING     | 1           |  |                    | 0,026     | 4         | 12        | 1         |             |                   |
| 12          | 01581900        | BIG END BEAR.0,5-   | 1           | -0,5 mm  |                    | 0,028     | 4         | 14        | 1         |             |                   |
|             |                 |                     |             |  |                    |           |           |           |           |             |                   |
|             |                 |                     |             |  |                    |           |           |           |           |             |                   |
|             |                 |                     |             |  |                    |           |           |           |           |             |                   |
|             |                 |                     |             |  |                    |           |           |           |           |             |                   |
|             |                 |                     |             |  |                    |           |           |           |           |             |                   |
|             |                 |                     |             |  |                    |           |           |           |           |             |                   |
|             |                 |                     |             |  |                    |           |           |           |           |             |                   |
|             |                 |                     |             |  |                    |           |           |           |           |             |                   |
|             |                 |                     |             |  |                    |           |           |           |           |             |                   |
|             |                 |                     |             |  |                    |           |           |           |           |             |                   |
|             |                 |                     |             |  |                    |           |           |           |           |             |                   |
|             |                 |                     |             |  |                    |           |           |           |           |             |                   |
|             |                 |                     |             |  |                    |           |           |           |           |             |                   |
|             |                 |                     |             |  |                    |           |           |           |           |             |                   |
|             |                 |                     |             |  |                    |           |           |           |           |             |                   |
|             |                 |                     |             |  |                    |           |           |           |           |             |                   |

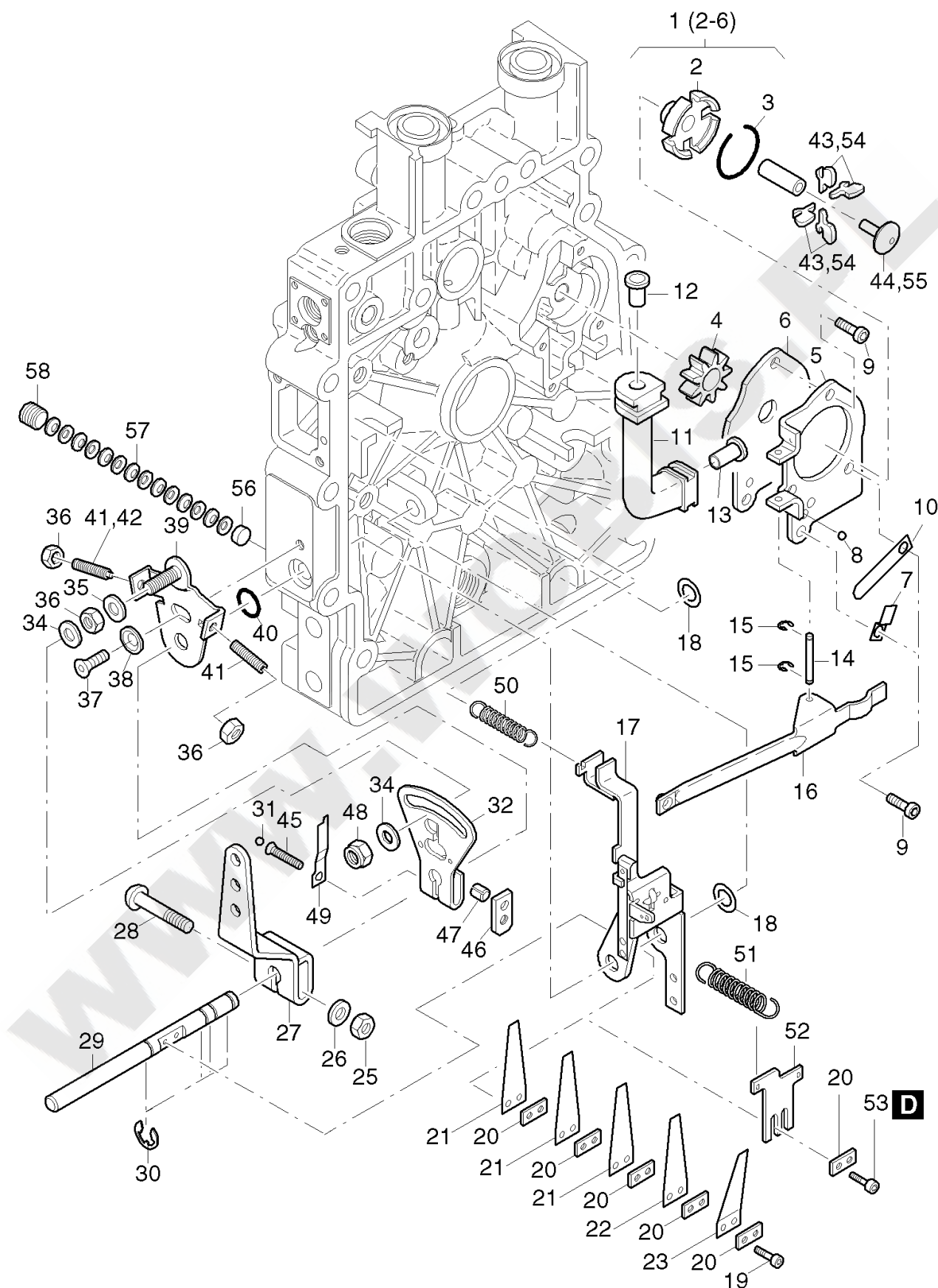


**ORYGINALNE CZĘŚCI ZAMIENNE      SERWIS GWARANCYJNY I POGWARANCYJNY**  
**WYMIARY SERWISOWE ORAZ KATALOGI CZĘŚCI ZAMIENNYCH NA STRONIE [WWW.WOBIS.PL/SERWIS](http://WWW.WOBIS.PL/SERWIS)**

| Pos. | Part no. | Description         | Qty. | Notice                        | Add. notice | kg    | EA | TA | DA | dDPW   | List price |
|------|----------|---------------------|------|-------------------------------|-------------|-------|----|----|----|--------|------------|
| 1    | 01500221 | CYLINDER HEAD       | 1    |                               |             | 1,290 | 9  | 11 | 0  |        |            |
| 2    | _noorder | No single order     | -    |                               |             |       |    |    |    |        |            |
| 3    | 05119400 | VALVE GUIDE         | 2    |                               |             | 0,015 | 4  | 12 | 1  |        |            |
| 5    | _nopart  | Not in this engine  | -    |                               |             |       |    |    |    |        |            |
| 6    | 05062500 | STUD CYL.HEAD 128MM | 4    | 128 mm (M 8)                  |             | 0,040 | 1  | 11 | 1  |        |            |
| 7    | 05054000 | PUSHROD             | 2    |                               |             | 0,027 | 1  | 11 | 1  |        |            |
| 8    | 04107500 | SEALG.RING CYL.HEAD | 2    |                               |             | 0,001 | 1  | 11 | 1  | d2     |            |
| 9    | 05053200 | VALVE INLET         | 1    |                               |             | 0,036 | 4  | 11 | 1  |        |            |
| 10   | 05053300 | VALVE EXHAUST       | 1    |                               |             | 0,031 | 4  | 11 | 1  |        |            |
| 11   | 50425800 | VALVE STEM SEAL CAP | 2    |                               |             | 0,001 | 4  | 11 | 1  | d2     |            |
| 12   | 04093700 | WASHER              | 2    |                               |             | 0,003 | 1  | 11 | 1  |        |            |
| 13   | 04093600 | VALVE SPRING        | 2    |                               |             | 0,015 | 1  | 11 | 1  |        |            |
| 14   | 04093800 | SPRING PLATE        | 2    |                               |             | 0,009 | 1  | 11 | 1  |        |            |
| 15   | 50425700 | COLLET              | 2    |                               |             | 0,001 | 4  | 11 | 1  |        |            |
| 16   | 50445100 | SUPP.DISK 6X12X1,2  | 4    | 6 x 12 x 1,2 DIN 988          |             | 0,008 | 4  | 11 | 1  |        |            |
| 17   | 05091101 | SLIDER              | 1    |                               |             | 0,005 | 1  | 11 | 1  |        |            |
| 18   | 50358000 | GRUB SCREW M 8X10   | 2    | M 8 x 10 DIN 913 Tuf. FLEC    |             | 0,002 | 4  | 11 | 1  | W2     |            |
| 19   | 05054700 | NUT F. ROCKERARM    | 2    |                               |             | 0,012 | 1  | 11 | 1  |        |            |
| 20   | 05050900 | ROCKER              | 2    | part was replaced by 05050901 |             | 0,048 | 0  | 11 | 7  |        |            |
| 21   | 05061201 | WASHER 8,4 X18X 3   | 4    | 8,1 x 20 x 3                  |             | 0,006 | 1  | 11 | 1  |        |            |
| 22   | 50364300 | HEXAGON NUT M 8     | 4    | M 8 DIN 934 - 10.9 A3C        |             | 0,005 | 4  | 11 | 1  |        |            |
| 23   | 05055700 | GASKET ROCKER COVER | 1    |                               |             | 0,005 | 1  | 11 | 1  | W4,d1  |            |
| 24   | 05047310 | COVER F. CYL.HEAD   | 1    |                               |             | 0,231 | 1  | 11 | 0  |        |            |
| 25   | 01509600 | CLOSING PLUG        | 1    |                               |             | 0,017 | 1  | 11 | 3  | P1     |            |
| 26   | 50425900 | O-RING 16 X 2       | 2    | 16 x 2                        |             | 0,001 | 4  | 11 | 3  |        |            |
| 27   | _noorder | No single order     | -    |                               |             |       |    |    |    |        |            |
| 28   | 50081200 | SPRING WASHER A 6   | 2    | A 6 DIN 137 - A3C             |             | 0,001 | 4  | 11 | 1  | zzNein |            |
| 29   | 50374900 | ALL.SCR.M 6X35      | 2    | M 6 x 35 DIN 912-8.8 A3C      |             | 0,010 | 4  | 11 | 1  |        |            |
| 30   | 04117600 | LIFTING STRAP       | 1    | part was replaced by 04117610 |             | 0,000 | 0  | 11 | 7  |        |            |
| 32   | 50129500 | HEXAGON NUT M 8     | 2    | M 8 DIN 985-8 A3C             |             | 0,002 | 4  | 11 | 1  |        |            |

**ORYGINALNE CZĘŚCI ZAMIENNE    SERWIS GWARANCYJNY I POGWARANCYJNY**  
**WYMIARY SERWISOWE ORAZ KATALOGI CZĘŚCI ZAMIENNYCH NA STRONIE [WWW.WOBIS.PL/SERWIS](http://WWW.WOBIS.PL/SERWIS)**

| Pos. | Part no. | Description         | Qty.   | Notice | Add. notice | kg    | EA | TA | DA | dDPW | List price |
|------|----------|---------------------|--------|--------|-------------|-------|----|----|----|------|------------|
| 33   | 05059400 | GASK.F.CYL.HEAD 0,3 | 0... 1 | 0,3 mm |             | 0,007 | 1  | 11 | 1  |      |            |
| 34   | 05059500 | GASK.F.CYL.HEAD 0,4 | 0... 1 | 0,4 mm |             | 0,010 | 1  | 11 | 1  |      |            |
| 35   | 05059600 | GASK.F.CYL.HEAD 0,5 | 0... 1 | 0,5 mm |             | 0,012 | 1  | 11 | 1  | d1   |            |
| 36   | 05059700 | GASK.F.CYL.HEAD 0,6 | 0... 1 | 0,6 mm |             | 0,014 | 1  | 11 | 1  | d1   |            |
| 37   | 05059800 | GASK.F.CYL.HEAD 0,7 | 0... 1 | 0,7 mm |             | 0,017 | 1  | 11 | 1  |      |            |
| 38   | 05059900 | GASK.F.CYL.HEAD 0,8 | 0... 1 | 0,8 mm |             | 0,020 | 1  | 11 | 1  |      |            |
| 39   | 05060000 | GASK.F.CYL.HEAD 0,9 | 0... 1 | 0,9 mm |             | 0,021 | 1  | 11 | 1  |      |            |
| 40   | 05060100 | GASK.F.CYL,HEAD 1,0 | 0... 1 | 1,0 mm |             | 0,024 | 1  | 11 | 1  |      |            |
| 41   | _nopart  | Not in this engine  | -      |        |             |       |    |    |    |      |            |
| 42   | _nopart  | Not in this engine  | -      |        |             |       |    |    |    |      |            |
| 43   | _nopart  | Not in this engine  | -      |        |             |       |    |    |    |      |            |
|      |          |                     |        |        |             |       |    |    |    |      |            |
|      |          |                     |        |        |             |       |    |    |    |      |            |
|      |          |                     |        |        |             |       |    |    |    |      |            |
|      |          |                     |        |        |             |       |    |    |    |      |            |
|      |          |                     |        |        |             |       |    |    |    |      |            |
|      |          |                     |        |        |             |       |    |    |    |      |            |
|      |          |                     |        |        |             |       |    |    |    |      |            |
|      |          |                     |        |        |             |       |    |    |    |      |            |
|      |          |                     |        |        |             |       |    |    |    |      |            |
|      |          |                     |        |        |             |       |    |    |    |      |            |
|      |          |                     |        |        |             |       |    |    |    |      |            |
|      |          |                     |        |        |             |       |    |    |    |      |            |
|      |          |                     |        |        |             |       |    |    |    |      |            |
|      |          |                     |        |        |             |       |    |    |    |      |            |
|      |          |                     |        |        |             |       |    |    |    |      |            |
|      |          |                     |        |        |             |       |    |    |    |      |            |
|      |          |                     |        |        |             |       |    |    |    |      |            |
|      |          |                     |        |        |             |       |    |    |    |      |            |
|      |          |                     |        |        |             |       |    |    |    |      |            |
|      |          |                     |        |        |             |       |    |    |    |      |            |
|      |          |                     |        |        |             |       |    |    |    |      |            |
|      |          |                     |        |        |             |       |    |    |    |      |            |
|      |          |                     |        |        |             |       |    |    |    |      |            |
|      |          |                     |        |        |             |       |    |    |    |      |            |
|      |          |                     |        |        |             |       |    |    |    |      |            |
|      |          |                     |        |        |             |       |    |    |    |      |            |





**ORYGINALNE CZĘŚCI ZAMIENNE      SERWIS GWARANCYJNY I POGWARANCYJNY**  
**WYMIARY SERWISOWE ORAZ KATALOGI CZĘŚCI ZAMIENNYCH NA STRONIE [WWW.WOBIS.PL/SERWIS](http://WWW.WOBIS.PL/SERWIS)**

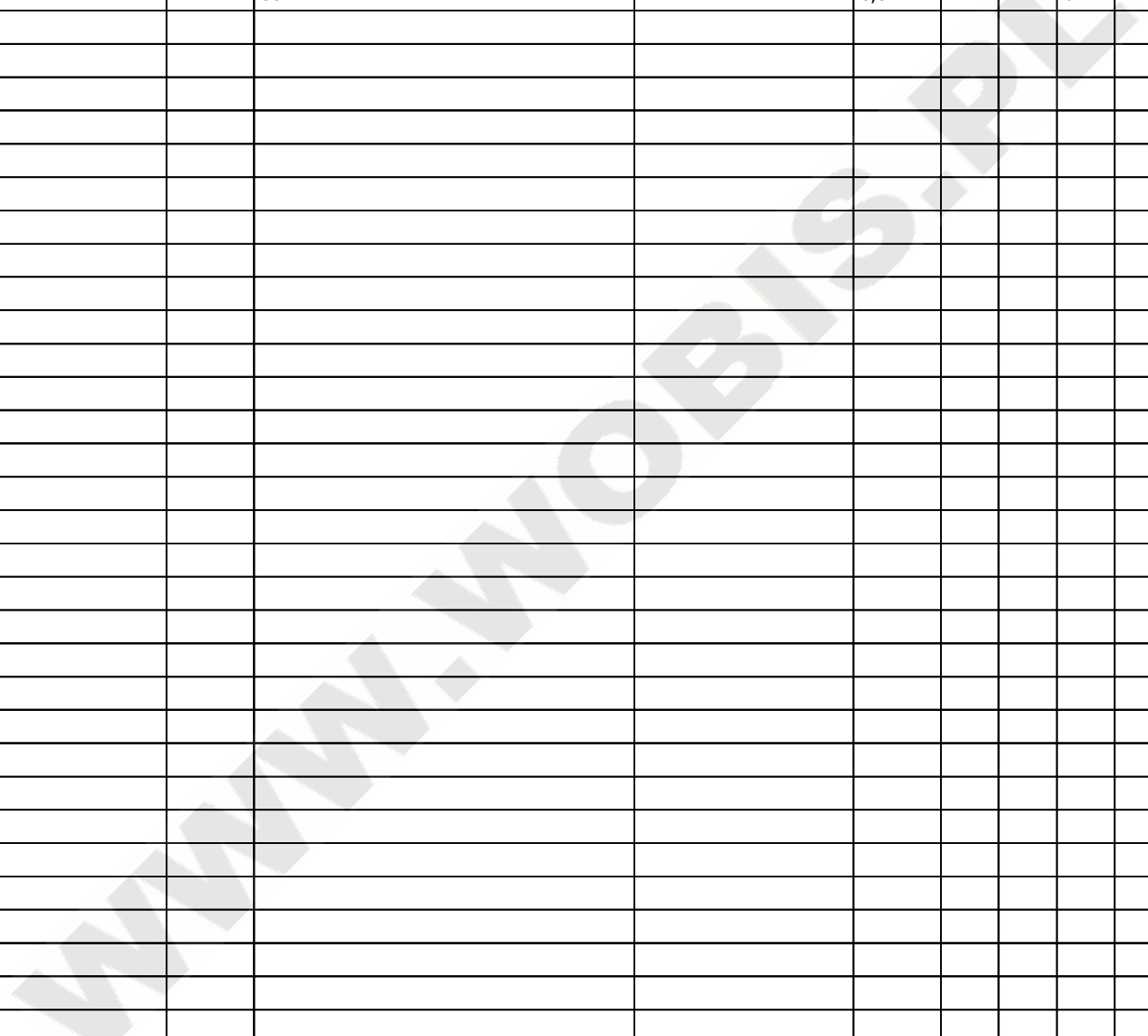
| Pos. | Part no. | Description         | Qty.   | Notice                                    | Add. notice | kg    | EA | TA | DA | dDPW | List price |
|------|----------|---------------------|--------|---|-------------|-------|----|----|----|------|------------|
| 1    | 01530210 | COVER F. OILPUMP    | 1      | part was replaced by 01530211             |             | 0,112 | 0  | 11 | 7  |      |            |
| 2    | _noorder | No single order     | -      |   |             |       |    |    |    |      |            |
| 3    | 50434901 | CIRCLIP RB 25       | 1      | RB25 DIN 7993                             |             | 0,003 | 9  | 11 | 0  |      |            |
| 4    | _noorder | No single order     | -      |   |             |       |    |    |    |      |            |
| 5    | _noorder | No single order     | -      |   |             |       |    |    |    |      |            |
| 6    | _noorder | No single order     | -      |   |             |       |    |    |    |      |            |
| 7    | 05097100 | RETAINING STRAP     | 1      |   |             | 0,001 | 1  | 11 | 1  |      |            |
| 8    | 50447900 | BALL 3,5 MM G100    | 1      | 3,5mm KL. III                             |             | 0,001 | 4  | 11 | 1  |      |            |
| 9    | 50429400 | ALL.SCR. M 5X 12    | 4      | M5 x 12 DIN 6912 - 8.8                    |             | 0,003 | 4  | 11 | 1  |      |            |
| 10   | 05097300 | FLAT SPRING 0,4     | 1      | 0,4 mm                                    |             | 0,001 | 1  | 11 | 1  |      |            |
| 11   | 04102900 | TUBE OIL SUCTION    | 1      |   |             | 0,015 | 1  | 11 | 1  |      |            |
| 12   | 50447400 | TUBERIVET A8X0,5X12 | 1      | A8 x 0,5 x 12 DIN 7340 - St               |             | 0,005 | 4  | 11 | 1  |      |            |
| 13   | 50447500 | TUBERIVET 10X12     | 1      | A10 x 0,75 x 12 DIN 7340 - St             |             | 0,003 | 4  | 11 | 1  |      |            |
| 14   | 05078600 | SHAFT               | 1      |   |             | 0,002 | 1  | 11 | 1  |      |            |
| 15   | 50434800 | CIRCLIP 1,9         | 2      | 1,9 DIN 6799                              |             | 0,001 | 4  | 11 | 1  |      |            |
| 16   | 05079400 | LEVER               | 1      | part was replaced by 05079401             |             | 0,000 | 0  | 11 | 7  |      |            |
| 17   | 01530402 | GOVERNOR LEVER      | 1      | part was replaced by 01530403             |             | 0,000 | 0  | 21 | 7  |      |            |
| 18   | 50125800 | DISC 8X14X0,5       | 0... 2 | 8 x 14 x 0,5 DIN 988                      |             | 0,001 | 4  | 11 | 1  |      |            |
| 18   | 50422400 | SHIM 8X14X1         | 0... 2 | 8 x 14 x 1,0 DIN 988                      |             | 0,001 | 4  | 11 | 1  |      |            |
| 19   | 50435000 | ALL.SCR. M 3 X 12   | 2      | M 3 x 12 DIN 912-8.8                      |             | 0,001 | 4  | 11 | 1  |      |            |
| 20   | 05079800 | INTERMED. PLATE     | 1... 5 |   |             | 0,002 | 1  | 11 | 1  |      |            |
| 21   | 05131600 | GOVERNOR SPRING 0,2 | 1... 2 | 0,2 mm                                    |             | 0,001 | 1  | 21 | 1  |      |            |
| 22   | 05078900 | GOVERNOR SPRING 0,3 | 1... 2 | 0,3 mm                                    |             | 0,002 | 1  | 21 | 1  |      |            |
| 23   | 05148600 | STOP SPRING         | 0... 1 | 0,4 mm                                    |             | 0,002 | 1  | 21 | 1  |      |            |
| 25   | 50144400 | HEXAGON NUT M 6     | 1      | M 6 DIN 934 - 8 A3C                       |             | 0,002 | 4  | 11 | 1  |      |            |
| 26   | 50144500 | FLAT WASHER 6,4     | 1      | 6,4 DIN 125-St A3C                        |             | 0,001 | 4  | 11 | 1  |      |            |
| 27   | 04095600 | LEVER               | 1      |   |             | 0,062 | 1  | 11 | 1  |      |            |
| 28   | 03927300 | SCREW M 6X 32       | 1      | M 6 x 32<br>part was replaced by 03927301 |             | 0,000 | 0  | 11 | 0  |      |            |
| 29   | 05079301 | SHAFT               | 1      |   |             | 0,044 | 1  | 11 | 1  |      |            |

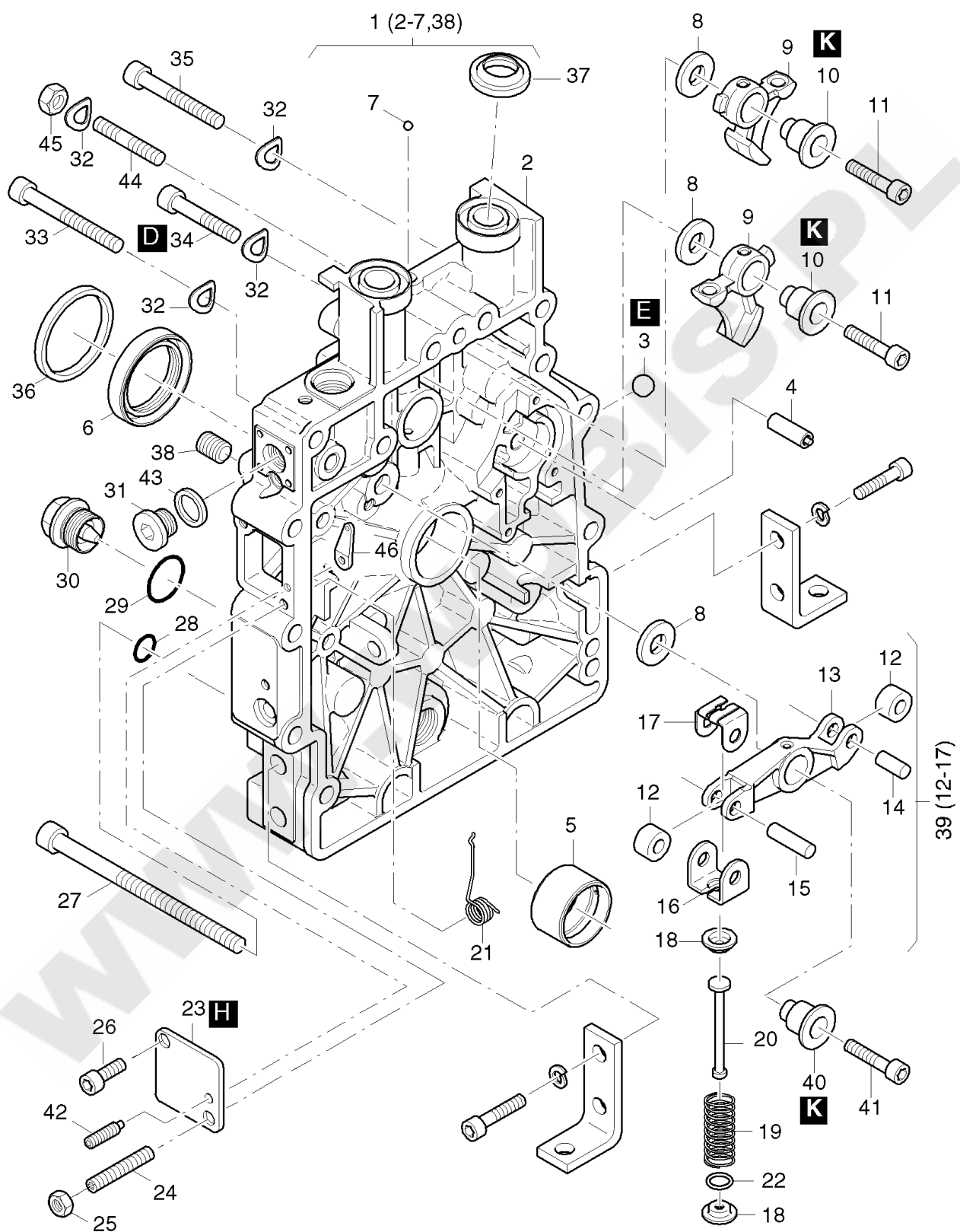
**ORYGINALNE CZĘŚCI ZAMIENNE      SERWIS GWARANCYJNY I POGWARANCYJNY**  
**WYMIARY SERWISOWE ORAZ KATALOGI CZĘŚCI ZAMIENNYCH NA STRONIE WWW.WOBIS.PL/SERWIS**

| Pos. | Part no. | Description         | Qty.   | Notice                                     | Add. notice | kg    | EA | TA | DA | dDPW   | List price |
|------|----------|---------------------|--------|--|-------------|-------|----|----|----|--------|------------|
| 30   | 50092700 | CIRCLIP 7           | 4      | 7 DIN 6799 A3C                             |             | 0,001 | 4  | 11 | 1  |        |            |
| 31   | 50347100 | BALL 3,175 MM       | 1      | Ø 3,175 mm DIN 5401                        |             | 0,001 | 4  | 11 | 1  |        |            |
| 32   | 01333000 | CONSOLE             | 1      |  |             | 0,090 | 9  | 11 | 0  |        |            |
| 34   | 04149700 | DISC 6,OX16 X3      | 2      | 6 x 16 x 3                                 |             | 0,000 | 0  | 11 | 0  |        |            |
| 35   | 50144500 | FLAT WASHER 6,4     | 1      | 6,4 DIN 125-St A3C                         |             | 0,001 | 4  | 11 | 1  |        |            |
| 36   | 50144400 | HEXAGON NUT M 6     | 3      | M 6 DIN 934 - 8 A3C                        |             | 0,002 | 4  | 11 | 1  |        |            |
| 37   | 50423900 | CTR.SUNK SCR.M6X 20 | 1      | M 6 x 20 DIN 7991-10.9 A3C                 |             | 0,005 | 4  | 11 | 1  |        |            |
| 38   | 04122900 | DISC                | 1      |  |             | 0,001 | 1  | 11 | 0  |        |            |
| 39   | 01316402 | SUPPORT             | 1      | part was replaced by 01356100              |             | 0,038 | 0  | 11 | 7  |        |            |
| 40   | 40022401 | O-RING 8 X 2 GRAY   | 1      | 8 x 2 FPM 75 MOLYKOT.                      |             | 0,002 | 4  | 11 | 1  | zzNein |            |
| 41   | 50138100 | THREADED PIN M 6X35 | 1... 2 | M6 x 35 DIN 915 45H                        |             | 0,005 | 4  | 11 | 0  |        |            |
| 42   | 50004200 | GRUB SCREW M 6X20   | 0... 1 | M 6 x 20 DIN 915 45H                       |             | 0,004 | 4  | 21 | 0  |        |            |
| 43   | 05079601 | CENTRIFUGAL WEIGHT  | 8      |  |             | 0,002 | 0  | 11 | 7  |        |            |
| 44   | 05078501 | GOVERNOR SLEEVE     | 1      | part was replaced by 05078502              |             | 0,004 | 0  | 11 | 7  |        |            |
| 45   | 50475300 | FILL.HEAD SCR.M5X25 | 1      | M 5 x 25 ISO 7380 - 10.9 Zn                |             | 0,003 | 4  | 11 | 0  |        |            |
| 46   | 05151300 | SUPPORT             | 1      |  |             | 0,004 | 9  | 11 | 0  |        |            |
| 47   | 50475400 | PIN 5 X 8           | 1      | Ø 5 x 8 mm DIN 7346                        |             | 0,001 | 4  | 11 | 1  |        |            |
| 48   | 50328300 | HEXAGON NUT VM6     | 1      | VM 6 DIN 980-8 A3C                         |             | 0,002 | 4  | 11 | 1  |        |            |
| 49   | 04122800 | PLATE SPRING        | 1      |  |             | 0,003 | 1  | 21 | 0  |        |            |
| 50   | 04000200 | TENSION SPRING      | 1      |  |             | 0,001 | 1  | 11 | 1  |        |            |
| 51   | 05130900 | GOVERNOR SPRING     | 1      |  |             | 0,003 | 1  | 11 | 0  |        |            |
| 52   | 05130800 | STOP                | 1      |  |             | 0,007 | 1  | 11 | 1  |        |            |
| 53   | 50465300 | ALL.SCR.M 3X 8      | 2      | M 3 x 8 DIN 912-8.8                        |             | 0,001 | 4  | 11 | 1  |        |            |
| 54   | 05146900 | CENTRIFUGAL WEIGHT  | 4      | Generator<br>part was replaced by 05079602 |             | 0,002 | 0  | 21 | 7  |        |            |
| 55   | 05147001 | GOVERNOR SLEEVE     | 1      | Generator<br>part was replaced by 05078502 |             | 0,004 | 0  | 21 | 7  |        |            |
| 56   | 05151700 | PLUG                | 1      |  |             | 0,002 | 1  | 11 | 1  |        |            |
| 57   | 50475800 | PLATE SPRING        | 14     | DIN 2093<br>part was replaced by 50488700  |             | 0,000 | 0  | 11 | 7  |        |            |
| 58   | 50475700 | GRUB SCREW M10X10   | 1      | M 10 x 10 DIN 913-A3C Tuf.                 |             | 0,004 | 4  | 11 | 1  |        |            |

**ORYGINALNE CZĘŚCI ZAMIENNE     SERWIS GWARANCYJNY I POGWARANCYJNY**  
**WYMIARY SERWISOWE ORAZ KATALOGI CZĘŚCI ZAMIENNYCH NA STRONIE [WWW.WOBIS.PL/SERWIS](http://WWW.WOBIS.PL/SERWIS)**

| Pos. | Part no. | Description | Qty. | Notice | Add. notice | kg    | EA | TA | DA | dDPW | List price |
|------|----------|-------------|------|--------|-------------|-------|----|----|----|------|------------|
| D    | 50223300 | LOCTITE 221 | 1    | 50 ML  |             | 0,077 | 4  | 12 | 0  |      |            |
|      |          |             |      |        |             |       |    |    |    |      |            |
|      |          |             |      |        |             |       |    |    |    |      |            |
|      |          |             |      |        |             |       |    |    |    |      |            |
|      |          |             |      |        |             |       |    |    |    |      |            |
|      |          |             |      |        |             |       |    |    |    |      |            |
|      |          |             |      |        |             |       |    |    |    |      |            |
|      |          |             |      |        |             |       |    |    |    |      |            |
|      |          |             |      |        |             |       |    |    |    |      |            |
|      |          |             |      |        |             |       |    |    |    |      |            |
|      |          |             |      |        |             |       |    |    |    |      |            |
|      |          |             |      |        |             |       |    |    |    |      |            |
|      |          |             |      |        |             |       |    |    |    |      |            |
|      |          |             |      |        |             |       |    |    |    |      |            |
|      |          |             |      |        |             |       |    |    |    |      |            |
|      |          |             |      |        |             |       |    |    |    |      |            |
|      |          |             |      |        |             |       |    |    |    |      |            |
|      |          |             |      |        |             |       |    |    |    |      |            |
|      |          |             |      |        |             |       |    |    |    |      |            |
|      |          |             |      |        |             |       |    |    |    |      |            |
|      |          |             |      |        |             |       |    |    |    |      |            |
|      |          |             |      |        |             |       |    |    |    |      |            |



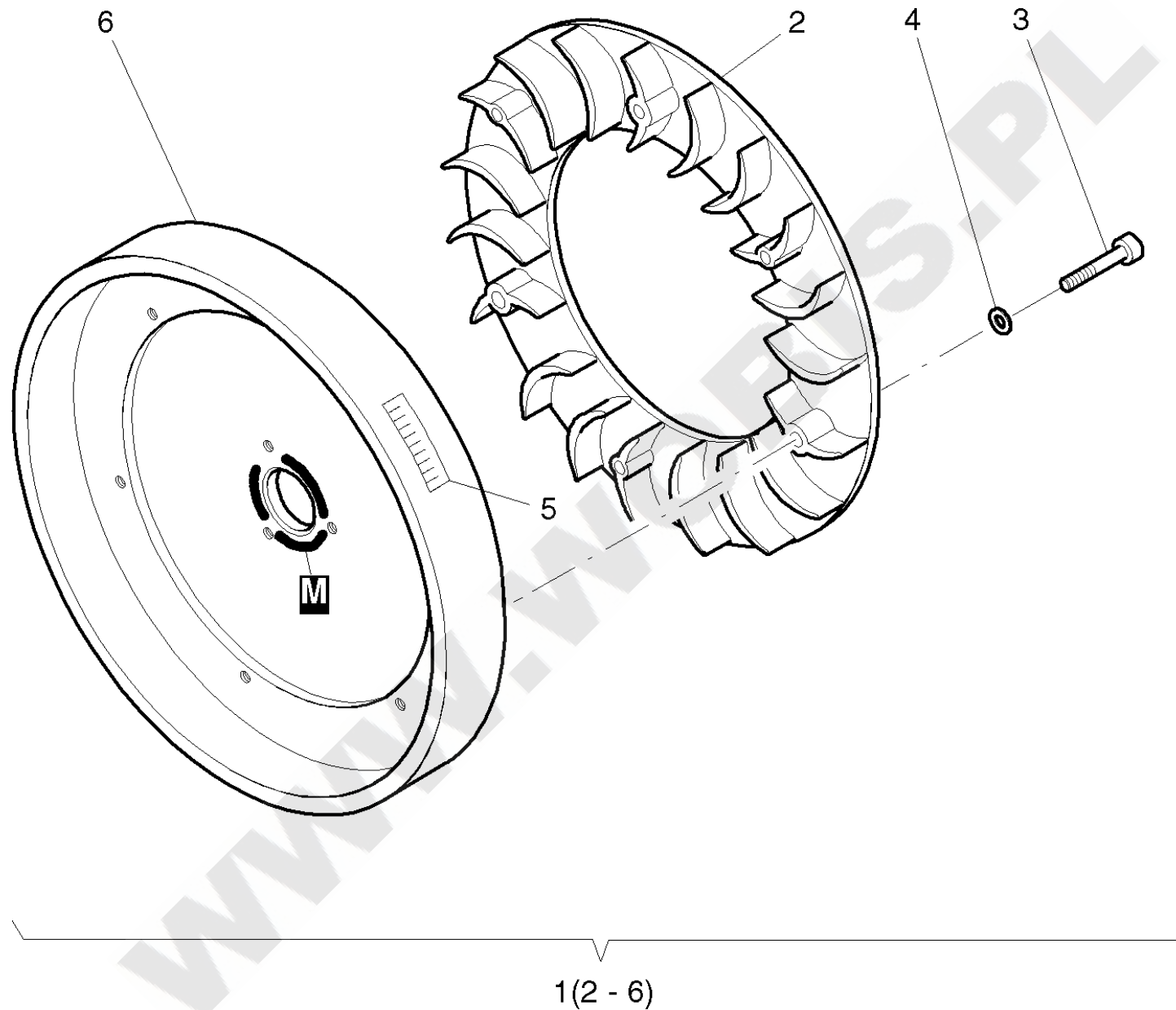


**ORYGINALNE CZĘŚCI ZAMIENNE      SERWIS GWARANCYJNY I POGWARANCYJNY**  
**WYMIARY SERWISOWE ORAZ KATALOGI CZĘŚCI ZAMIENNYCH NA STRONIE WWW.WOBIS.PL/SERWIS**

| Pos. | Part no. | Description        | Qty. | Notice                                       | Add. notice | kg    | EA | TA | DA | dDPW | List price |
|------|----------|--------------------|------|--|-------------|-------|----|----|----|------|------------|
| 1    | 01319510 | TIMING COVER       | 1    | IMT 99588                                    |             | 2,445 | 9  | 12 | 0  |      |            |
| 2    | _noorder | No single order    | -    |  |             |       |    |    |    |      |            |
| 3    | _noorder | No single order    | -    |  |             |       |    |    |    |      |            |
| 4    | 01533900 | BOLT F.GOV.HOUSING | 1    |  |             | 0,009 | 1  | 11 | 1  |      |            |
| 5    | 05053100 | MAIN BEARING       | 1    |  |             | 0,025 | 4  | 11 | 1  |      |            |
| 5    | 04124800 | MAIN BEARING -0,5  | 1    | -0,5 mm                                      |             | 0,035 | 4  | 14 | 1  |      |            |
| 6    | 40033700 | OIL SEAL 30X47X8   | 1    | 30 x 47 x 8<br>part was replaced by 40033701 |             | 0,000 | 0  | 11 | 7  | D1   |            |
| 7    | 50443400 | BALL 5,5 MM G28    | 1    | 5,5 G20 DIN 5401                             |             | 0,001 | 0  | 11 | 1  |      |            |
| 8    | 03794100 | WASHER             | 3    | 10,1 x 22 x 3                                |             | 0,006 | 1  | 11 | 1  |      |            |
| 9    | 05053400 | CAM FOLLOWER       | 2    |  |             | 0,040 | 1  | 11 | 1  |      |            |
| 10   | 03794201 | CAM FOLLOW SPINDLE | 2    |  |             | 0,018 | 1  | 11 | 1  |      |            |
| 11   | 50457900 | ALL.SCR. M 6X 25   | 3    | M 6 x 25 DIN 912 - 10.9                      |             | 0,007 | 4  | 11 | 1  |      |            |
| 12   | _noorder | No single order    | -    |  |             |       |    |    |    |      |            |
| 13   | _noorder | No single order    | -    |  |             |       |    |    |    |      |            |
| 14   | _noorder | No single order    | -    |  |             |       |    |    |    |      |            |
| 15   | _noorder | No single order    | -    |  |             |       |    |    |    |      |            |
| 16   | _noorder | No single order    | -    |  |             |       |    |    |    |      |            |
| 17   | _noorder | No single order    | -    |  |             |       |    |    |    |      |            |
| 18   | 04094802 | CUP                | 2    |  |             | 0,003 | 1  | 11 | 1  |      |            |
| 19   | 04095700 | PRESSURE SPRING    | 1    |  |             | 0,017 | 1  | 11 | 1  |      |            |
| 20   | 04094700 | DRAW ROD           | 1    |  |             | 0,007 | 1  | 11 | 1  |      |            |
| 21   | 05095210 | SPRING F.GOVERNOR  | 1    |  |             | 0,007 | 1  | 11 | 1  |      |            |
| 22   | 04133900 | DISC 10,7X19X0,5   | 1    | 10,7 x 16 x 0,5                              |             | 0,001 | 1  | 11 | 1  |      |            |
| 23   | 04095210 | COVER              | 1    |  |             | 0,035 | 1  | 11 | 1  |      |            |
| 24   | 50448901 | GRUB SCREW M 6X 30 | 1    | M 6 x 30 DIN 913 22 H A3C Tuf. 360 G         |             | 0,005 | 4  | 11 | 1  |      |            |
| 25   | 50144400 | HEXAGON NUT M 6    | 1    | M 6 DIN 934 - 8 A3C                          |             | 0,002 | 4  | 11 | 1  |      |            |
| 26   | 50384200 | ALL.SCR.M 6X 12    | 1    | M 6x12 DIN 912-8.8 A3C Tuf. 360 G            |             | 0,005 | 4  | 11 | 1  |      |            |
| 27   | 50426100 | ALL.SCR. M 8X120   | 2    | M 8 x 120 DIN 912 - 8.8 A3C                  |             | 0,051 | 4  | 11 | 1  |      |            |
| 28   | 50162900 | JOINT A 8 X14      | 2    | A 8 x 14 DIN 7603 - Cu                       |             | 0,005 | 4  | 11 | 1  | D2   |            |

**ORYGINALNE CZĘŚCI ZAMIENNE      SERWIS GWARANCYJNY I POGWARANCYJNY**  
**WYMIARY SERWISOWE ORAZ KATALOGI CZĘŚCI ZAMIENNYCH NA STRONIE [WWW.WOBIS.PL/SERWIS](http://WWW.WOBIS.PL/SERWIS)**

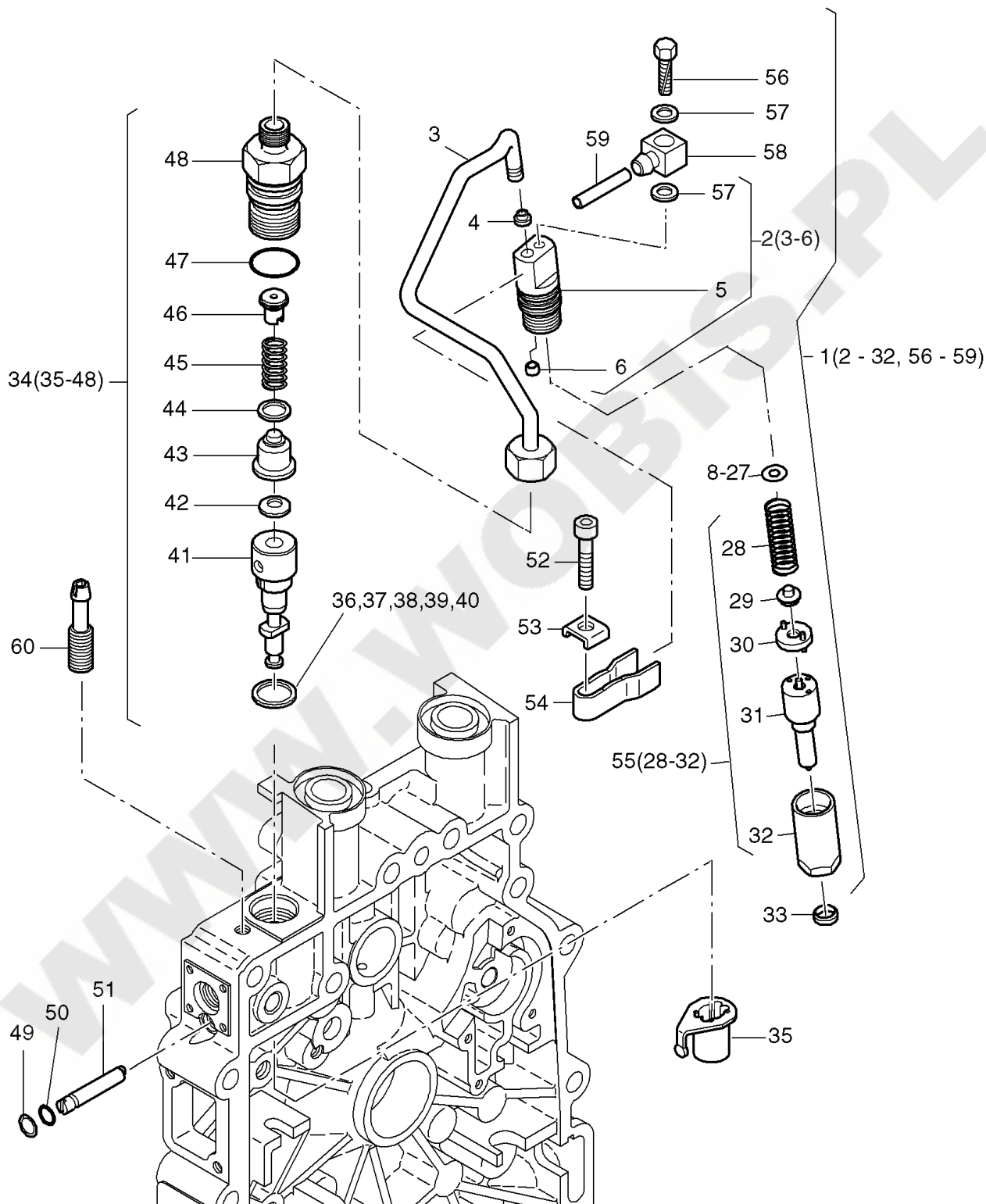
| Pos. | Part no. | Description         | Qty. | Notice                                     | Add. notice | kg    | EA | TA | DA | dDPW  | List price |
|------|----------|---------------------|------|--|-------------|-------|----|----|----|-------|------------|
| 29   | 50469800 | JOINT A22X27        | 1    | A 22 x 27 DIN 7603 - Vf                    |             | 0,001 | 4  | 11 | 0  | W4,D2 |            |
| 30   | 50373100 | DRAIN PLG.MAGNT.M22 | 1    | AM22x1,5DIN7604A3C MAGN.                   |             | 0,038 | 4  | 11 | 1  | W1    |            |
| 31   | 50459200 | CLOS.SCREW. M12X1,5 | 1    | M 12 x 1,5 DIN 908 - St A3C                |             | 0,013 | 9  | 11 | 1  |       |            |
| 32   | 50095100 | SPRING WASHER A 8   | 13   | A 8 DIN 137 A3C                            |             | 0,001 | 4  | 11 | 1  |       |            |
| 33   | 50248800 | ALL.SCREW M 8X60    | 1    | M 8 x 60 DIN 912 - 8.8 A3C                 |             | 0,029 | 4  | 11 | 1  |       |            |
| 34   | 50453400 | ALL.SCR.M 8X 45     | 2    | M 8 x 45 DIN 912 - 8.8 A3C Tuf.            |             | 0,021 | 4  | 11 | 1  |       |            |
| 35   | 50392900 | ALL.SCR.M 8 X 50    | 10   | M 8 x 50 DIN 912 - 8.8 A3C                 |             | 0,025 | 4  | 11 | 1  |       |            |
| 36   | 04097800 | CENTERING INSERT    | 1    | SAE A (Zentrierring)                       |             | 0,005 | 1  | 21 | 2  |       |            |
| 37   | 04106500 | SEALG.RING TIM.COV. | 2    | part was replaced by 04106501              |             | 0,002 | 0  | 11 | 7  | d2    |            |
| 38   | 50358000 | GRUB SCREW M 8X10   | 5    | M 8 x 10 DIN 913 Tuf. FLEC                 |             | 0,002 | 4  | 11 | 1  | W2    |            |
| 39   | 01319601 | ROCKER LEVER        | 1    | part run out no successor                  |             | 0,150 | 9  | 11 | 0  |       |            |
| 40   | 04096810 | CAM FOLLOW SPINDLE  | 1    |  |             | 0,020 | 9  | 11 | 0  |       |            |
| 41   | 50469900 | ALL.SCR. M 6X 30    | 1    | M6 x 30 DIN 912 - 10.9                     |             | 0,009 | 4  | 11 | 1  |       |            |
| 42   | 50274901 | GRUB SCREW M 4 X 20 | 1    | M 4 x 20 DIN 915-Tuf. 360 G                |             | 0,004 | 4  | 11 | 1  |       |            |
| 43   | 04122000 | JOINT               | 1    | 12 x 14,6                                  |             | 0,001 | 9  | 11 | 0  |       |            |
| 44   | _nopart  | Not in this engine  | -    |  |             |       |    |    |    |       |            |
| 45   | _nopart  | Not in this engine  | -    |  |             |       |    |    |    |       |            |
| 46   | 05127100 | LEVER               | 1    |  |             | 0,001 | 1  | 11 | 1  |       |            |
| D    | 50223300 | LOCTITE 221         | 1    | 50 ML                                      |             | 0,077 | 4  | 12 | 0  |       |            |
| E    | 50223400 | LOCTITE 648         | 1    | 10 ML                                      |             | 0,021 | 4  | 12 | 0  |       |            |
| H    | 50282501 | SILICON SEALER      | 1    | 30ML 1207                                  |             | 0,055 | 4  | 12 | 1  |       |            |
| K    | 50342600 | GREASE START.DEVICE | 1    | 100 GRAMM<br>part was replaced by 50342601 |             | 0,100 | 0  | 12 | 0  |       |            |
|      |          |                     |      |  |             |       |    |    |    |       |            |
|      |          |                     |      |  |             |       |    |    |    |       |            |
|      |          |                     |      |  |             |       |    |    |    |       |            |
|      |          |                     |      |  |             |       |    |    |    |       |            |
|      |          |                     |      |  |             |       |    |    |    |       |            |
|      |          |                     |      |  |             |       |    |    |    |       |            |
|      |          |                     |      |  |             |       |    |    |    |       |            |
|      |          |                     |      |  |             |       |    |    |    |       |            |



**ORYGINALNE CZĘŚCI ZAMIENNE      SERWIS GWARANCYJNY I POGWARANCYJNY**  
**WYMIARY SERWISOWE ORAZ KATALOGI CZĘŚCI ZAMIENNYCH NA STRONIE WWW.WOBIS.PL/SERWIS**

| Pos. | Part no. | Description         | Qty. | Notice                        | Add. notice | kg    | EA | TA | DA | dDPW | List price |
|------|----------|---------------------|------|-------------------------------|-------------|-------|----|----|----|------|------------|
| 1    | 01579710 | FLYWHEEL W.BLOWER   | 1    |                               |             | 5,910 | 1  | 12 | 1  |      |            |
| 2    | 01321310 | BLOWER RING         | 1    | part was replaced by 04193700 |             | 0,227 | 0  | 11 | 7  |      |            |
| 3    | 50327300 | ALL.SCR.M 4X 20     | 6    | M 4 x 20 DIN 912 - 8.8 A3C    |             | 0,003 | 4  | 11 | 1  |      |            |
| 4    | 50003400 | SPRING WASHER A 4   | 6    | A 4 DIN 137 - ST              |             | 0,001 | 4  | 11 | 1  |      |            |
| 5    | 04117300 | STICKER "TDC"       | 1    | "Handstart" OT                |             | 0,001 | 9  | 11 | 0  |      |            |
| 6    | 05052220 | FLYWHEEL            | 1    |                               |             | 5,910 | 1  | 11 | 1  |      |            |
| M    | 50485100 | GRINDING PASTE 80ML | 1    |                               |             | 0,113 | 4  | 12 | 1  |      |            |
|      |          |                     |      |                               |             |       |    |    |    |      |            |
|      |          |                     |      |                               |             |       |    |    |    |      |            |
|      |          |                     |      |                               |             |       |    |    |    |      |            |
|      |          |                     |      |                               |             |       |    |    |    |      |            |
|      |          |                     |      |                               |             |       |    |    |    |      |            |
|      |          |                     |      |                               |             |       |    |    |    |      |            |
|      |          |                     |      |                               |             |       |    |    |    |      |            |
|      |          |                     |      |                               |             |       |    |    |    |      |            |
|      |          |                     |      |                               |             |       |    |    |    |      |            |
|      |          |                     |      |                               |             |       |    |    |    |      |            |
|      |          |                     |      |                               |             |       |    |    |    |      |            |
|      |          |                     |      |                               |             |       |    |    |    |      |            |
|      |          |                     |      |                               |             |       |    |    |    |      |            |
|      |          |                     |      |                               |             |       |    |    |    |      |            |
|      |          |                     |      |                               |             |       |    |    |    |      |            |
|      |          |                     |      |                               |             |       |    |    |    |      |            |
|      |          |                     |      |                               |             |       |    |    |    |      |            |
|      |          |                     |      |                               |             |       |    |    |    |      |            |
|      |          |                     |      |                               |             |       |    |    |    |      |            |
|      |          |                     |      |                               |             |       |    |    |    |      |            |
|      |          |                     |      |                               |             |       |    |    |    |      |            |
|      |          |                     |      |                               |             |       |    |    |    |      |            |
|      |          |                     |      |                               |             |       |    |    |    |      |            |



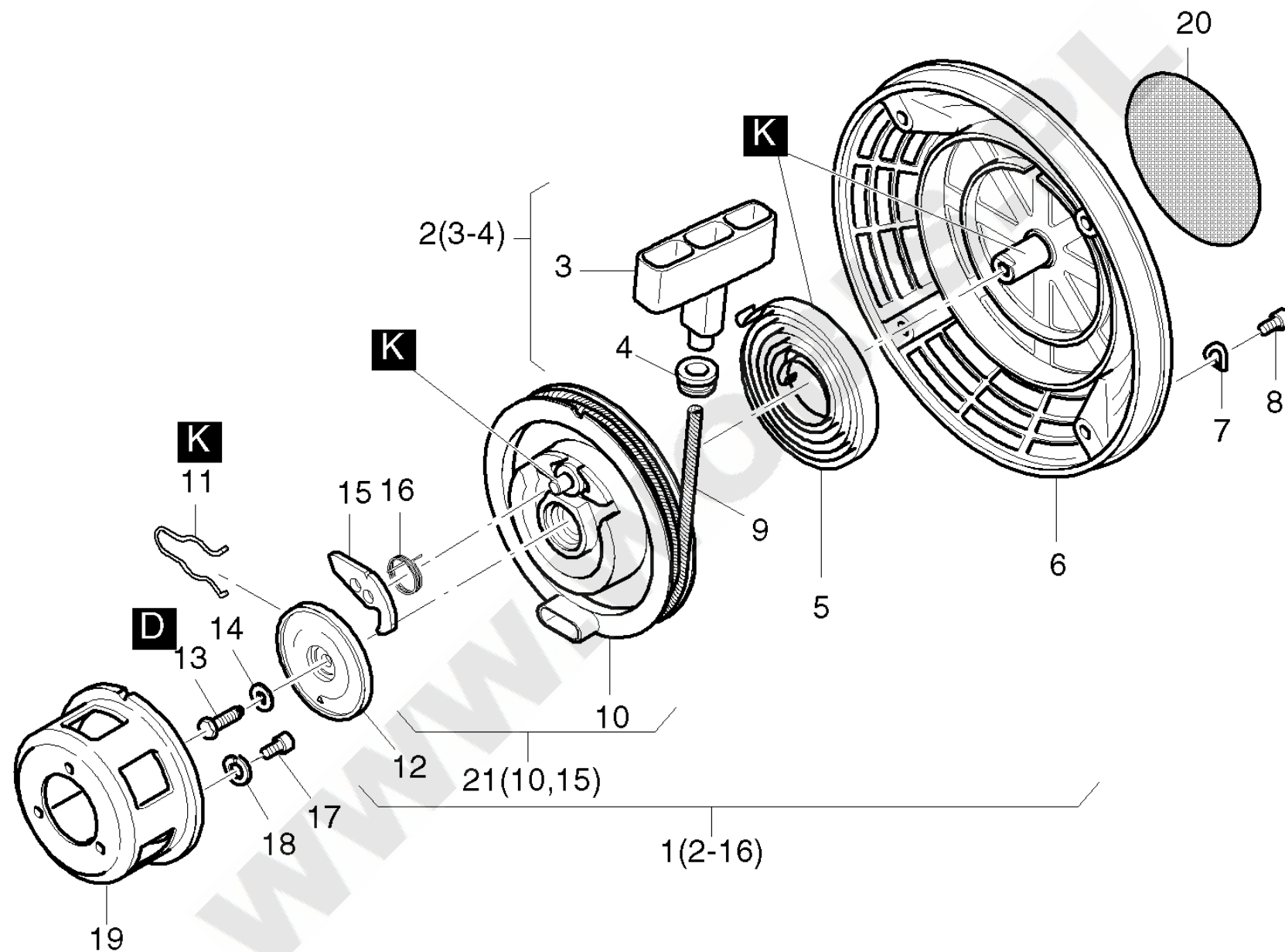


**ORYGINALNE CZĘŚCI ZAMIENNE      SERWIS GWARANCYJNY I POGWARANCYJNY**  
**WYMIARY SERWISOWE ORAZ KATALOGI CZĘŚCI ZAMIENNYCH NA STRONIE [WWW.WOBIS.PL/SERWIS](http://WWW.WOBIS.PL/SERWIS)**

| Pos. | Part no. | Description         | Qty.   | Notice                        | Add. notice | kg    | EA | TA | DA | dDPW | List price |
|------|----------|---------------------|--------|-------------------------------|-------------|-------|----|----|----|------|------------|
| 1    | 01621600 | INJECTOR            | 1      | part was replaced by 01649800 |             | 0,170 | 0  | 12 | 7  |      |            |
| 2    | 01577110 | NOZZLE HOLD.+PIPE   | 1      | part was replaced by 01649800 |             | 0,104 | 0  | 12 | 0  |      |            |
| 3    | _noorder | No single order     | -      |                               |             |       |    |    |    |      |            |
| 4    | 05096101 | SEALING CONE        | 0... 1 | 4,9 mm s. 95125801            |             | 0,001 | 1  | 11 | 1  |      |            |
| 4    | 05070601 | SEALING CONE        | 0... 1 | 5,3 mm s. 95125802            |             | 0,001 | 1  | 11 | 1  |      |            |
| 5    | _noorder | No single order     | -      |                               |             |       |    |    |    |      |            |
| 6    | 05081500 | SEALING CONE F.INJC | 1      |                               |             | 0,001 | 1  | 11 | 0  |      |            |
| 8    | 50436400 | SHIM 1,0            | 0... 1 | 1,00 mm                       |             | 0,001 | 4  | 11 | 1  |      |            |
| 9    | 50436500 | SHIM 1,04           | 0... 1 | 1,04 mm                       |             | 0,001 | 4  | 11 | 1  |      |            |
| 10   | 50436600 | SHIM 1,10           | 0... 1 | 1,10 mm                       |             | 0,001 | 4  | 11 | 1  |      |            |
| 11   | 50436700 | SHIM 1,14           | 0... 1 | 1,14 mm                       |             | 0,001 | 4  | 11 | 1  |      |            |
| 12   | 50436800 | SHIM 1,20           | 0... 1 | 1,20 mm                       |             | 0,001 | 4  | 11 | 1  |      |            |
| 13   | 50436900 | SHIM 1,24           | 0... 1 | 1,24 mm                       |             | 0,001 | 4  | 11 | 1  |      |            |
| 14   | 50437000 | SHIM 1,30           | 0... 1 | 1,30 mm                       |             | 0,003 | 4  | 11 | 1  |      |            |
| 15   | 50437100 | SHIM 1,34           | 0... 1 | 1,34 mm                       |             | 0,001 | 4  | 11 | 1  |      |            |
| 16   | 50437200 | SHIM 1,40           | 0... 1 | 1,40 mm                       |             | 0,001 | 4  | 11 | 1  |      |            |
| 17   | 50437300 | SHIM 1,44           | 0... 1 | 1,44 mm                       |             | 0,001 | 4  | 11 | 1  |      |            |
| 18   | 50437400 | SHIM 1,50           | 0... 1 | 1,50 mm                       |             | 0,001 | 4  | 11 | 1  |      |            |
| 19   | 50437500 | SHIM 1,54           | 0... 1 | 1,54 mm                       |             | 0,001 | 4  | 11 | 1  |      |            |
| 20   | 50437600 | SHIM 1,60           | 0... 1 | 1,60 mm                       |             | 0,001 | 4  | 11 | 1  |      |            |
| 21   | 50437700 | SHIM 1,64           | 0... 1 | 1,64 mm                       |             | 0,001 | 4  | 11 | 1  |      |            |
| 22   | 50437800 | SHIM 1,70           | 0... 1 | 1,70 mm                       |             | 0,002 | 4  | 11 | 1  |      |            |
| 23   | 50437900 | SHIM 1,74           | 0... 1 | 1,74 mm                       |             | 0,001 | 4  | 11 | 1  |      |            |
| 24   | 50438000 | SHIM 1,80           | 0... 1 | 1,80 mm                       |             | 0,001 | 4  | 11 | 1  |      |            |
| 25   | 50438100 | SHIM 1,84           | 0... 1 | 1,84 mm                       |             | 0,005 | 4  | 11 | 1  |      |            |
| 26   | 50438200 | SHIM 1,90           | 0... 1 | 1,90 mm                       |             | 0,001 | 4  | 11 | 1  |      |            |
| 27   | 50438300 | SHIM 1,94           | 0... 1 | 1,94 mm                       |             | 0,001 | 4  | 11 | 1  |      |            |
| 28   | _noorder | No single order     | -      |                               |             |       |    |    |    |      |            |
| 29   | _noorder | No single order     | -      |                               |             |       |    |    |    |      |            |
| 30   | _noorder | No single order     | -      |                               |             |       |    |    |    |      |            |

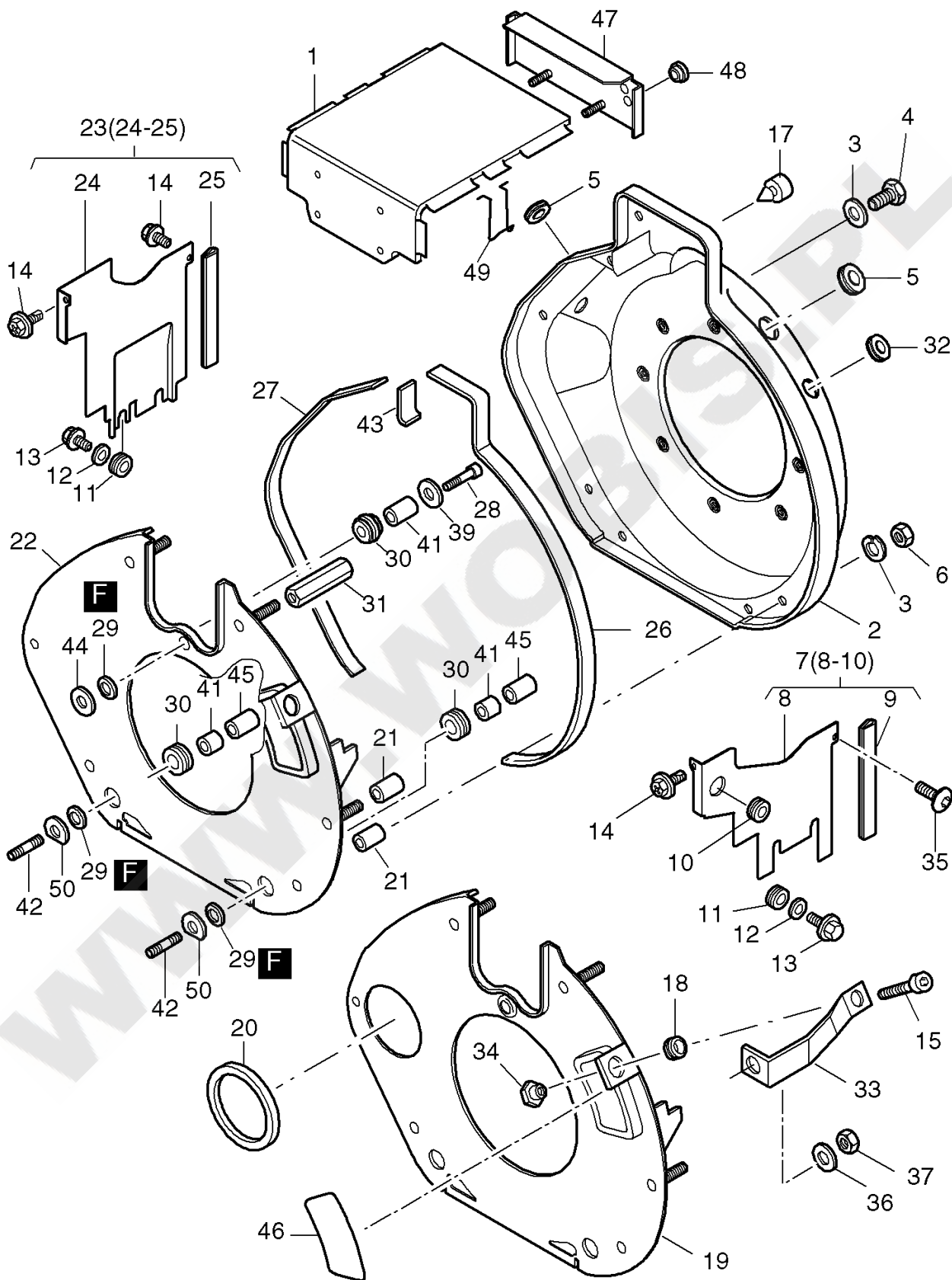
**ORYGINALNE CZĘŚCI ZAMIENNE      SERWIS GWARANCYJNY I POGWARANCYJNY**  
**WYMIARY SERWISOWE ORAZ KATALOGI CZĘŚCI ZAMIENNYCH NA STRONIE WWW.WOBIS.PL/SERWIS**

| Pos. | Part no. | Description         | Qty.   | Notice                        | Add. notice | kg    | EA | TA | DA | dDPW | List price |
|------|----------|---------------------|--------|-------------------------------|-------------|-------|----|----|----|------|------------|
| 31   | 50442200 | INJECTION NOZZLE    | 1      | NON EPA                       |             | 0,030 | 4  | 13 | 0  | P1   |            |
| 32   | _noorder | No single order     | -      |                               |             |       |    |    |    |      |            |
| 33   | 05070500 | JOINT WASH.F.INJECT | 1      |                               |             | 0,001 | 1  | 11 | 1  | d1   |            |
| 34   | 01322200 | INJECTION PUMP      | 1      |                               |             | 0,175 | 4  | 12 | 0  |      |            |
| 35   | 01330801 | CONTROL SLEEVE      | 1      |                               |             | 0,084 | 1  | 11 | 1  |      |            |
| 36   | 04096300 | SHIM 14X18X0,2      | 0... 1 | 0,2 mm                        |             | 0,001 | 1  | 11 | 1  |      |            |
| 37   | 04096400 | SHIM 14X18X0,3      | 0... 1 | 0,3 mm                        |             | 0,001 | 1  | 11 | 1  |      |            |
| 38   | 04096500 | SHIM 14X18X0,4      | 0... 1 | 0,4 mm                        |             | 0,001 | 1  | 11 | 1  |      |            |
| 39   | 04096600 | SHIM 14X18X0,5      | 0... 1 | 0,5 mm                        |             | 0,003 | 1  | 11 | 1  |      |            |
| 40   | 04096700 | SHIM 14X18X0,6      | 0... 1 | 0,6 mm                        |             | 0,003 | 1  | 11 | 1  |      |            |
| 41   | _noorder | No single order     | -      |                               |             |       |    |    |    |      |            |
| 42   | 50471600 | CON.SPR.WASHER 8    | 1      | 8 DIN 6796                    |             | 0,003 | 4  | 11 | 0  |      |            |
| 43   | _noorder | No single order     | -      |                               |             |       |    |    |    |      |            |
| 44   | 50476900 | JOINT WASHER        | 1      | 9,5 x 13 x 0,5                |             | 0,002 | 4  | 11 | 1  |      |            |
| 45   | _noorder | No single order     | -      |                               |             |       |    |    |    |      |            |
| 46   | _noorder | No single order     | -      |                               |             |       |    |    |    |      |            |
| 47   | 50489200 | O-RING 17 X 2       | 1      | 17 x 2                        |             | 0,001 | 4  | 11 | 1  |      |            |
| 48   | 04162000 | DELIV.VALVE HOLDER  | 1      | part was replaced by 50445900 |             | 0,000 | 0  | 11 | 7  |      |            |
| 49   | 50476000 | DISC 8              | 1      | 8 DIN 470 Al                  |             | 0,001 | 4  | 11 | 1  |      |            |
| 50   | 50433900 | O-RING 3,3 X 1,0    | 1      | 3,3 x 1,0                     |             | 0,001 | 4  | 11 | 0  |      |            |
| 51   | 04097700 | ECCENTRIC PIN       | 1      |                               |             | 0,004 | 1  | 11 | 0  |      |            |
| 52   | 50323900 | ALL.SCR.M 6X 30     | 1      | M 6 x 30 DIN 912-8.8 A3C      |             | 0,009 | 4  | 11 | 1  |      |            |
| 53   | 05089300 | RETAINING YOKE      | 1      | 6,4                           |             | 0,003 | 1  | 11 | 1  |      |            |
| 54   | 05056700 | FORK F. INJECTOR    | 1      |                               |             | 0,015 | 1  | 11 | 1  |      |            |
| 55   | 01326100 | PARTS SET NOZZLE    | 1      | NON EPA                       |             | 0,054 | 4  | 11 | 0  |      |            |
| 56   | 50464500 | HEXSCREW AM 4 X 16  | 1      | AM 4 x 16 DIN 7513 St. Zn     |             | 0,006 | 4  | 11 | 0  |      |            |
| 57   | 50110800 | JOINT A 4X8         | 2      | A4 x 8 DIN 7603-Cu            |             | 0,001 | 4  | 11 | 1  |      |            |
| 58   | 05129000 | CONNECTING NIPPLE   | 1      |                               |             | 0,002 | 1  | 11 | 1  |      |            |
| 59   | 05130300 | HOSE 2,5X 295 MM    | 1      | 2,5 x 295                     |             | 0,008 | 1  | 11 | 0  |      |            |
| 60   | 05084201 | CONNECTING NIPPLE   | 1      |                               |             | 0,008 | 1  | 11 | 1  |      |            |



**ORYGINALNE CZĘŚCI ZAMIENNE      SERWIS GWARANCYJNY I POGWARANCYJNY**  
**WYMIARY SERWISOWE ORAZ KATALOGI CZĘŚCI ZAMIENNYCH NA STRONIE WWW.WOBIS.PL/SERWIS**

| Pos. | Part no. | Description         | Qty. | Notice   | Add. notice | kg    | EA | TA | DA | dDPW   | List price |
|------|----------|---------------------|------|--|-------------|-------|----|----|----|--------|------------|
| 1    | 01515002 | RECOIL-STARTER      | 1    | part was replaced by 01865200                      |             | 0,796 | 0  | 11 | 7  |        |            |
| 2    | 01497800 | HANDLE F.REV.START  | 1    |  |             | 0,022 | 1  | 12 | 1  |        |            |
| 3    | _noorder | No single order     | -    |  |             |       |    |    |    |        |            |
| 4    | 03665200 | RUBBER SLEEVE       | 1    |  |             | 0,002 | 1  | 11 | 1  |        |            |
| 5    | 05045201 | RETURN SPRING       | 1    | part was replaced by 05045202                      |             | 0,092 | 0  | 11 | 7  |        |            |
| 6    | 01569300 | HOUSING F.RECOIL-ST | 1    |  |             | 0,476 | 1  | 12 | 1  |        |            |
| 7    | 50081200 | SPRING WASHER A 6   | 4    | A 6 DIN 137 - A3C                                  |             | 0,001 | 4  | 11 | 1  | zzNein |            |
| 8    | 50062700 | ALL.SCR.M 6X 10     | 4    | M 6 x 10 DIN 912 - 8.8 A3C                         |             | 0,003 | 4  | 11 | 1  |        |            |
| 9    | 05088901 | ROPE RECL.STR1750MM | 1    | 1750 mm 1 B 30/40<br>part was replaced by 01929000 |             | 0,025 | 0  | 11 | 5  |        |            |
| 10   | 01500502 | ROPE PULLEY         | 1    | part was replaced by 01548800                      |             | 0,123 | 0  | 11 | 7  |        |            |
| 11   | 05044901 | BRAKE SPRING        | 1    |  |             | 0,003 | 1  | 11 | 1  |        |            |
| 12   | 05045001 | BRAKE DISC          | 1    |  |             | 0,011 | 1  | 11 | 1  |        |            |
| 13   | 50146300 | HEXSCREW M 6X 18    | 1    | M 6 x 18 DIN 933-8.8 A3C                           |             | 0,005 | 4  | 11 | 1  |        |            |
| 14   | 50165600 | SPRING WASHER6,5X14 | 1    | 6,5 x 14 DIN 6904 A3C                              |             | 0,001 | 9  | 11 | 0  |        |            |
| 15   | 05044800 | RATCHET F.REV.START | 1    |  |             | 0,026 | 1  | 11 | 1  |        |            |
| 16   | 05061300 | RETURN SPRING       | 1    |  |             | 0,001 | 1  | 11 | 1  |        |            |
| 17   | 50062700 | ALL.SCR.M 6X 10     | 3    | M 6 x 10 DIN 912 - 8.8 A3C                         |             | 0,003 | 4  | 11 | 1  |        |            |
| 18   | 50170900 | SPRING WASHER 6     | 3    | 6 DIN 128 - A3C                                    |             | 0,001 | 4  | 11 | 1  |        |            |
| 19   | 50445800 | DRIVING SLEEVE      | 1    | part was replaced by 04155000                      |             | 0,171 | 0  | 11 | 7  |        |            |
| 20   | 05109100 | STICKER LABEL       | 1    |  |             | 0,000 | 0  | 11 | 7  |        |            |
| 21   | _noorder | No single order     | -    |  |             |       |    |    |    |        |            |
| D    | 50223300 | LOCTITE 221         | 1    | 50 ML  |             | 0,077 | 4  | 12 | 0  |        |            |
| K    | 50342600 | GREASE START.DEVICE | 1    | 100 GRAMM<br>part was replaced by 50342601         |             | 0,100 | 0  | 12 | 0  |        |            |
|      |          |                     |      |  |             |       |    |    |    |        |            |
|      |          |                     |      |  |             |       |    |    |    |        |            |
|      |          |                     |      |  |             |       |    |    |    |        |            |
|      |          |                     |      |  |             |       |    |    |    |        |            |
|      |          |                     |      |  |             |       |    |    |    |        |            |



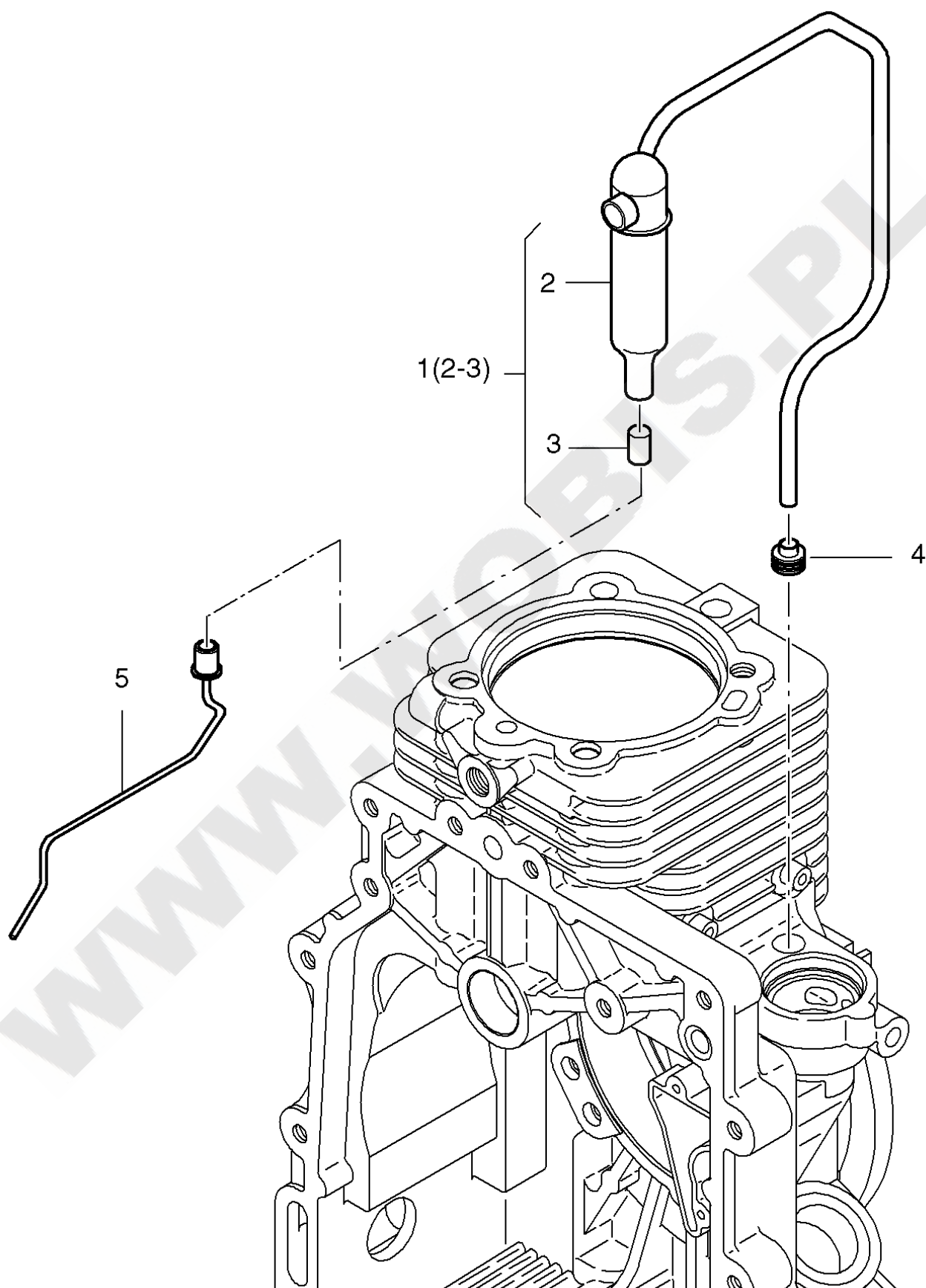
**ORYGINALNE CZĘŚCI ZAMIENNE      SERWIS GWARANCYJNY I POGWARANCYJNY**  
**WYMIARY SERWISOWE ORAZ KATALOGI CZĘŚCI ZAMIENNYCH NA STRONIE [WWW.WOBIS.PL/SERWIS](http://WWW.WOBIS.PL/SERWIS)**

| Pos. | Part no. | Description         | Qty. | Notice                                   | Add. notice | kg    | EA | TA | DA | dDPW   | List price |
|------|----------|---------------------|------|--|-------------|-------|----|----|----|--------|------------|
| 1    | 01533504 | HOOD                | 1    |  |             | 0,265 | 1  | 11 | 1  |        |            |
| 2    | 01316800 | BLOWER DUCTING      | 1    | part was replaced by 01831100            |             | 0,885 | 0  | 11 | 7  |        |            |
| 3    | 50170900 | SPRING WASHER 6     | 7    | 6 DIN 128 - A3C                          |             | 0,001 | 4  | 11 | 1  |        |            |
| 4    | 50146300 | HEXSCREW M 6X 18    | 1    | M 6 x 18 DIN 933-8.8 A3C                 |             | 0,005 | 4  | 11 | 1  |        |            |
| 5    | 50461700 | RUBBER SLEEVE       | 2    |  |             | 0,009 | 4  | 11 | 1  |        |            |
| 6    | 50144400 | HEXAGON NUT M 6     | 6    | M 6 DIN 934 - 8 A3C                      |             | 0,002 | 4  | 11 | 1  |        |            |
| 7    | 01316600 | COOLING AIR DUCTING | 1    |  |             | 0,109 | 1  | 11 | 1  |        |            |
| 8    | _noorder | No single order     | -    |  |             |       |    |    |    |        |            |
| 9    | 04097600 | SEALING STRIP106,5  | 1    | 107 mm                                   |             | 0,008 | 1  | 11 | 1  |        |            |
| 10   | 50334800 | RUBBER SLEEVE       | 1    |  |             | 0,001 | 4  | 11 | 1  |        |            |
| 11   | 50163801 | RUBBER SLEEVE       | 4    |  |             | 0,001 | 4  | 11 | 1  |        |            |
| 12   | 50441600 | WASHER 4,3          | 3    | 4,3 DIN 9021 - A3C 140HV                 |             | 0,001 | 4  | 11 | 1  |        |            |
| 13   | 50445401 | FILL.HEAD SCR.M4X10 | 3    | M 4 x 10 ST A3C                          |             | 0,002 | 4  | 11 | 1  |        |            |
| 14   | 50335600 | COMBI SCREW M 6X 16 | 3    | M 6 x 16 KZ 1-8.8 A3D                    |             | 0,005 | 4  | 11 | 1  |        |            |
| 15   | 50170700 | ALL.SCR.M 6 X 16    | 1    | M 6 x 16 DIN 912-8.8 A3C                 |             | 0,006 | 4  | 11 | 1  |        |            |
| 17   | 50392610 | RUBBER BUSH         | 2    |  |             | 0,001 | 4  | 11 | 1  |        |            |
| 18   | 50392800 | RUBBER SLEEVE       | 1    |  |             | 0,001 | 4  | 11 | 1  |        |            |
| 19   | 01607000 | PARTING SHEET       | 1    | E-Start<br>part was replaced by 01607001 |             | 0,000 | 0  | 21 | 7  |        |            |
| 20   | 04099500 | SEALING RING        | 1    |  |             | 0,001 | 1  | 21 | 1  |        |            |
| 21   | 04139000 | SPAC.TUBE 6,5X12X18 | 5    | 6,5 x 12 x 18                            |             | 0,004 | 1  | 11 | 1  |        |            |
| 22   | 01607100 | PARTING SHEET       | 1    | part was replaced by 01607110            |             | 0,582 | 0  | 11 | 0  |        |            |
| 23   | 01316500 | COOLING AIR DUCT.   | 1    |  |             | 0,143 | 1  | 11 | 1  |        |            |
| 24   | _noorder | No single order     | -    |  |             |       |    |    |    |        |            |
| 25   | 04097600 | SEALING STRIP106,5  | 1    | 107 mm                                   |             | 0,008 | 1  | 11 | 1  |        |            |
| 26   | 04124500 | SEALING STRIP 470MM | 1    | 470 mm                                   |             | 0,044 | 1  | 11 | 1  |        |            |
| 27   | 04124600 | SEALING STRIP 388MM | 1    | 388 mm                                   |             | 0,036 | 1  | 11 | 1  |        |            |
| 28   | 50170800 | ALL.SCR.M 6X 25     | 1    | M 6 x 25 DIN 912 - 8.8 A3C               |             | 0,008 | 4  | 11 | 1  | zzNein |            |
| 29   | 03575500 | RUBBER SEAL RING    | 3    |  |             | 0,002 | 1  | 11 | 1  |        |            |
| 30   | 00921400 | SPACER BUSH         | 3    |  |             | 0,017 | 1  | 11 | 1  |        |            |

**ORYGINALNE CZĘŚCI ZAMIENNE      SERWIS GWARANCYJNY I POGWARANCYJNY**  
**WYMIARY SERWISOWE ORAZ KATALOGI CZĘŚCI ZAMIENNYCH NA STRONIE WWW.WOBIS.PL/SERWIS**

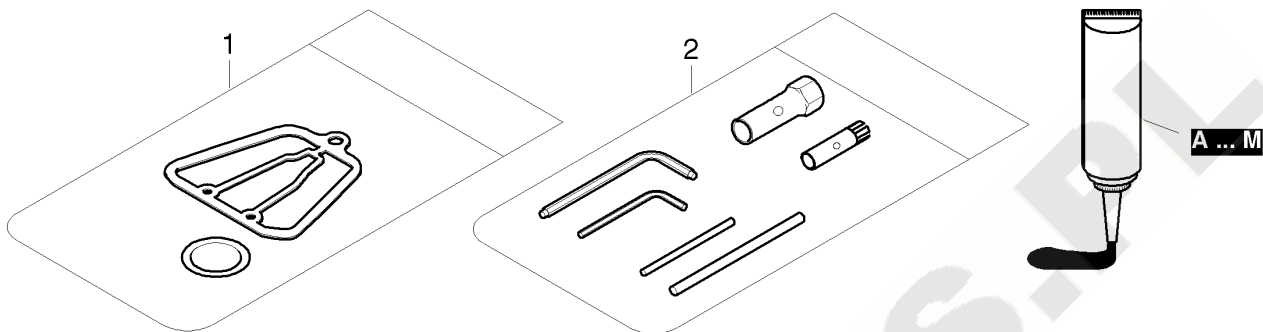
| Pos. | Part no. | Description         | Qty.   | Notice                        | Add. notice | kg    | EA | TA | DA | dDPW | List price |
|------|----------|---------------------|--------|-------------------------------|-------------|-------|----|----|----|------|------------|
| 31   | 04124400 | SPACER              | 1      | 57 mm                         |             | 0,015 | 1  | 11 | 1  |      |            |
| 32   | 50453300 | RUBBER SLEEVE       | 1      |                               |             | 0,002 | 4  | 11 | 1  |      |            |
| 33   | 01599500 | SUPPORT             | 1      |                               |             | 0,044 | 1  | 11 | 1  |      |            |
| 34   | 04123200 | THREAD.BUSH M6      | 1      | M 6                           |             | 0,010 | 1  | 11 | 1  |      |            |
| 35   | 50328000 | CTR.SUNK SCR.AM6X16 | 1      | AM 6 x 16 17065 - 8.8 Zn      |             | 0,004 | 4  | 11 | 1  |      |            |
| 36   | 50095100 | SPRING WASHER A 8   | 1      | A 8 DIN 137 A3C               |             | 0,001 | 4  | 11 | 1  |      |            |
| 37   | 50344700 | HEXAGON NUT M 8     | 1      | M 8 DIN 936 - 5 A3C           |             | 0,004 | 4  | 11 | 1  |      |            |
| 39   | 50170900 | SPRING WASHER 6     | 2... 3 | 6 DIN 128 - A3C               |             | 0,001 | 4  | 11 | 1  |      |            |
| 41   | 04119100 | TUBE 6X 8X14        | 3      | 6 x 8 x 14                    |             | 0,001 | 9  | 11 | 0  |      |            |
| 42   | 50458100 | STUD M 6 X45        | 2      | M 6 x 45 DIN 835 - 8.8 A3C    |             | 0,011 | 4  | 11 | 1  |      |            |
| 43   | 05007300 | SEALING STRIP 48    | 1      | 48 mm                         |             | 0,004 | 1  | 11 | 1  |      |            |
| 44   | 04042000 | WASHER 6,5X22,5X1   | 3      | 6,5 x 22,5 x 1                |             | 0,003 | 1  | 11 | 1  |      |            |
| 45   | 04124300 | BUSH 6,5X13X16,5    | 2      | 6,5 x 13 x 16,5               |             | 0,008 | 9  | 11 | 0  |      |            |
| 46   | 04113800 | COVER               | 1      | part was replaced by 04215100 |             | 0,025 | 9  | 11 | 0  |      |            |
| 47   | 01579300 | COVER               | 1      |                               |             | 0,101 | 1  | 11 | 1  |      |            |
| 48   | 50334800 | RUBBER SLEEVE       | 2      |                               |             | 0,001 | 4  | 11 | 1  |      |            |
| 49   | 05144100 | SPRING CLIP         | 1      |                               |             | 0,001 | 1  | 11 | 1  |      |            |
| 50   | 04145300 | DISC                | 2      |                               |             | 0,002 | 1  | 11 | 1  |      |            |
| F    | 50223900 | TECHNICOLL CLEANER  | 1      | 750 GR                        |             | 0,870 | 4  | 12 | 0  |      |            |
| F    | 50223800 | TECHNICL.ADHES.8058 | 1      | 750 GR                        |             | 0,875 | 4  | 12 | 0  |      |            |
|      |          |                     |        |                               |             |       |    |    |    |      |            |
|      |          |                     |        |                               |             |       |    |    |    |      |            |
|      |          |                     |        |                               |             |       |    |    |    |      |            |
|      |          |                     |        |                               |             |       |    |    |    |      |            |
|      |          |                     |        |                               |             |       |    |    |    |      |            |
|      |          |                     |        |                               |             |       |    |    |    |      |            |
|      |          |                     |        |                               |             |       |    |    |    |      |            |
|      |          |                     |        |                               |             |       |    |    |    |      |            |
|      |          |                     |        |                               |             |       |    |    |    |      |            |
|      |          |                     |        |                               |             |       |    |    |    |      |            |
|      |          |                     |        |                               |             |       |    |    |    |      |            |
|      |          |                     |        |                               |             |       |    |    |    |      |            |
|      |          |                     |        |                               |             |       |    |    |    |      |            |
|      |          |                     |        |                               |             |       |    |    |    |      |            |
|      |          |                     |        |                               |             |       |    |    |    |      |            |





**ORYGINALNE CZĘŚCI ZAMIENNE      SERWIS GWARANCYJNY I POGWARANCYJNY  
WYMIARY SERWISOWE ORAZ KATALOGI CZĘŚCI ZAMIENNYCH NA STRONIE [WWW.WOBIS.PL/SERWIS](http://WWW.WOBIS.PL/SERWIS)**

| Pos. | Part no. | Description        | Qty. | Notice                        | Add. notice | kg    | EA | TA | DA | dDPW | List price |
|------|----------|--------------------|------|-------------------------------|-------------|-------|----|----|----|------|------------|
| 1    | 01556402 | OIL SEPARATOR      | 1    | part was replaced by 01556403 |             | 0,043 | 0  | 11 | 7  |      |            |
| 2    | _noorder | No single order    | -    |                               |             |       |    |    |    |      |            |
| 3    | 05102900 | FILTERBREATHG.SYST | 1    | Filter, Filtre, Filtro        |             | 0,001 | 1  | 11 | 1  |      |            |
| 4    | 01583700 | BREATHER TUBE      | 1    |                               |             | 0,004 | 9  | 11 | 0  | D1   |            |
| 5    | 01551600 | SUCTION PIPE       | 1    |                               |             | 0,007 | 1  | 11 | 1  |      |            |
|      |          |                    |      |                               |             |       |    |    |    |      |            |
|      |          |                    |      |                               |             |       |    |    |    |      |            |
|      |          |                    |      |                               |             |       |    |    |    |      |            |
|      |          |                    |      |                               |             |       |    |    |    |      |            |
|      |          |                    |      |                               |             |       |    |    |    |      |            |
|      |          |                    |      |                               |             |       |    |    |    |      |            |
|      |          |                    |      |                               |             |       |    |    |    |      |            |
|      |          |                    |      |                               |             |       |    |    |    |      |            |
|      |          |                    |      |                               |             |       |    |    |    |      |            |
|      |          |                    |      |                               |             |       |    |    |    |      |            |
|      |          |                    |      |                               |             |       |    |    |    |      |            |
|      |          |                    |      |                               |             |       |    |    |    |      |            |
|      |          |                    |      |                               |             |       |    |    |    |      |            |
|      |          |                    |      |                               |             |       |    |    |    |      |            |
|      |          |                    |      |                               |             |       |    |    |    |      |            |
|      |          |                    |      |                               |             |       |    |    |    |      |            |
|      |          |                    |      |                               |             |       |    |    |    |      |            |
|      |          |                    |      |                               |             |       |    |    |    |      |            |
|      |          |                    |      |                               |             |       |    |    |    |      |            |
|      |          |                    |      |                               |             |       |    |    |    |      |            |
|      |          |                    |      |                               |             |       |    |    |    |      |            |
|      |          |                    |      |                               |             |       |    |    |    |      |            |
|      |          |                    |      |                               |             |       |    |    |    |      |            |
|      |          |                    |      |                               |             |       |    |    |    |      |            |
|      |          |                    |      |                               |             |       |    |    |    |      |            |
|      |          |                    |      |                               |             |       |    |    |    |      |            |
|      |          |                    |      |                               |             |       |    |    |    |      |            |
|      |          |                    |      |                               |             |       |    |    |    |      |            |
|      |          |                    |      |                               |             |       |    |    |    |      |            |
|      |          |                    |      |                               |             |       |    |    |    |      |            |
|      |          |                    |      |                               |             |       |    |    |    |      |            |
|      |          |                    |      |                               |             |       |    |    |    |      |            |



**HATZ DIESEL**  
 WARTUNG - MAINTENANCE  
 ENTRETIEN - MANTENIMIENTO  
 MANUTENZIONE

8-15      250  
 STUNDEN - HEURS - HEURES  
 HORAS - ORE

500  
 BEI BEDARF  
 IF NECESSARY  
 SI NECESSAIRE  
 EN CASO DE  
 NECESSARIO  
 SE NECESSARIO

IN 0.1 mm  
 0.004 \*

**1B..**

3

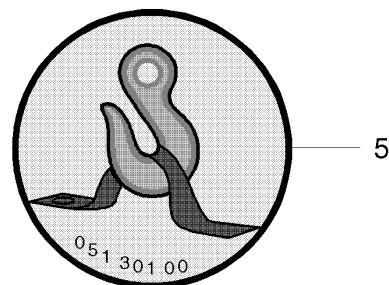
Detailed description: This is a maintenance chart for the Hatz Diesel 1B.. engine. It features a central engine diagram with various icons indicating maintenance tasks such as oil changes, filter replacements, and inspections. A table on the right lists oil grades (SAE) for different operating conditions. The chart includes multilingual text for maintenance intervals and instructions.

**COMPR.**      **START**

1      2      3

051 300 00

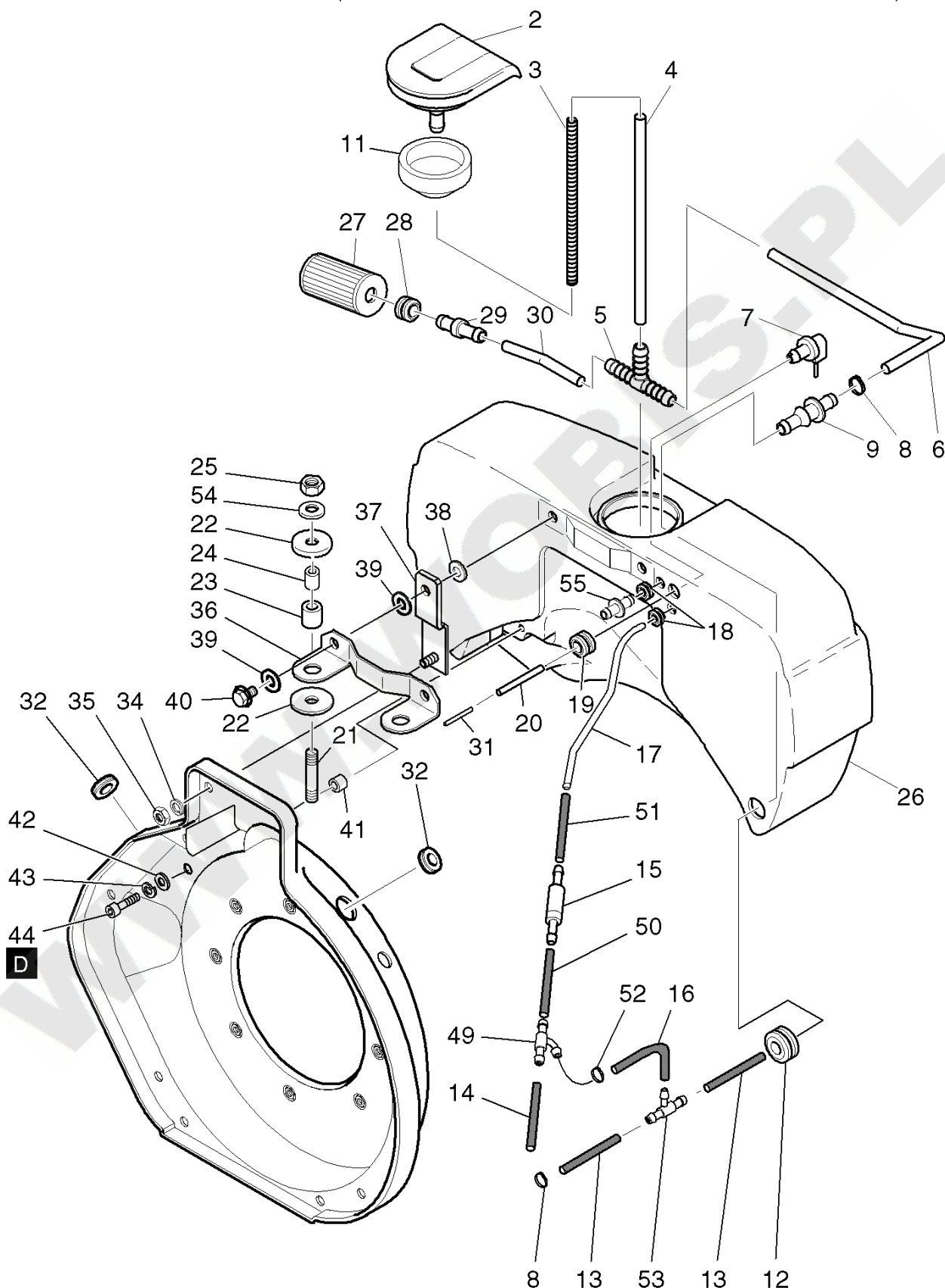
Detailed description: This diagram illustrates the steps for compression and starting. It shows a silhouette of a person operating a machine. Step 1 is labeled 'COMPR.' and step 3 is labeled 'START'. Step 2 is indicated by a downward arrow. The part number 051 300 00 is listed at the bottom.



**ORYGINALNE CZĘŚCI ZAMIENNE      SERWIS GWARANCYJNY I POGWARANCYJNY**  
**WYMIARY SERWISOWE ORAZ KATALOGI CZĘŚCI ZAMIENNYCH NA STRONIE WWW.WOBIS.PL/SERWIS**

| Pos. | Part no. | Description         | Qty. | Notice                                     | Add. notice | kg    | EA | TA | DA | dDPW | List price |
|------|----------|---------------------|------|--|-------------|-------|----|----|----|------|------------|
| 1    | 01331002 | ACCESSORIES KIT     | 1    | Zubehörsatz - Accessoires kit              |             | 0,012 | 1  | 11 | 1  |      |            |
| 2    | 01330901 | TOOLS 1B20/30/40    | 1    | Werkzeugsatz - Tool set                    |             | 0,206 | 1  | 11 | 1  |      |            |
| 3    | 05110404 | STICKER LABEL       | 1    | 160 x 67mm                                 |             | 0,001 | 1  | 11 | 0  |      |            |
| 4    | 05130000 | STICKER LABEL       | 1    |  |             | 0,001 | 1  | 11 | 1  |      |            |
| 5    | 05130100 | STICKER LABEL       | 1    |  |             | 0,001 | 1  | 11 | 1  |      |            |
| A    | 50223001 | LOCTITE ACTIVATOR N | 1    | 500 ML DIN 7649                            |             | 0,580 | 4  | 12 | 0  |      |            |
| B    | 50223101 | LOCTITE 574         | 1    | 50 ML                                      |             | 0,088 | 4  | 12 | 0  |      |            |
| C    | 50223200 | LOCTITE 601         | 1    | 50 ML                                      |             | 0,079 | 4  | 12 | 0  |      |            |
| D    | 50223300 | LOCTITE 221         | 1    | 50 ML                                      |             | 0,077 | 4  | 12 | 0  |      |            |
| E    | 50223400 | LOCTITE 648         | 1    | 10 ML                                      |             | 0,021 | 4  | 12 | 0  |      |            |
| F    | 50223800 | TECHNICL.ADHES.8058 | 1    | 750 GR                                     |             | 0,875 | 4  | 12 | 0  |      |            |
| F    | 50223900 | TECHNICOLL CLEANER  | 1    | 750 GR                                     |             | 0,870 | 4  | 12 | 0  |      |            |
| G    | 50256501 | LOCTITE IS 407      | 1    | 20 ML                                      |             | 0,033 | 4  | 12 | 0  |      |            |
| H    | 50282501 | SILICON SEALER      | 1    | 30ML 1207                                  |             | 0,055 | 4  | 12 | 1  |      |            |
| J    | 50283004 | HIGH TEMP.PASTE     | 1    |  |             | 0,110 | 4  | 12 | 0  |      |            |
| K    | 50342600 | GREASE START.DEVICE | 1    | 100 GRAMM<br>part was replaced by 50342601 |             | 0,100 | 0  | 12 | 0  |      |            |
| L    | 50256600 | SILICON SEALER      | 1    |  |             | 0,130 | 4  | 12 | 0  |      |            |
| M    | 50485100 | GRINDING PASTE 80ML | 1    |  |             | 0,113 | 4  | 12 | 1  |      |            |
|      |          |                     |      |  |             |       |    |    |    |      |            |
|      |          |                     |      |  |             |       |    |    |    |      |            |
|      |          |                     |      |  |             |       |    |    |    |      |            |
|      |          |                     |      |  |             |       |    |    |    |      |            |
|      |          |                     |      |  |             |       |    |    |    |      |            |
|      |          |                     |      |  |             |       |    |    |    |      |            |
|      |          |                     |      |  |             |       |    |    |    |      |            |
|      |          |                     |      |  |             |       |    |    |    |      |            |
|      |          |                     |      |  |             |       |    |    |    |      |            |
|      |          |                     |      |  |             |       |    |    |    |      |            |
|      |          |                     |      |  |             |       |    |    |    |      |            |

1(2 - 9,11, 12, 18 - 20, 26 - 30, 55)

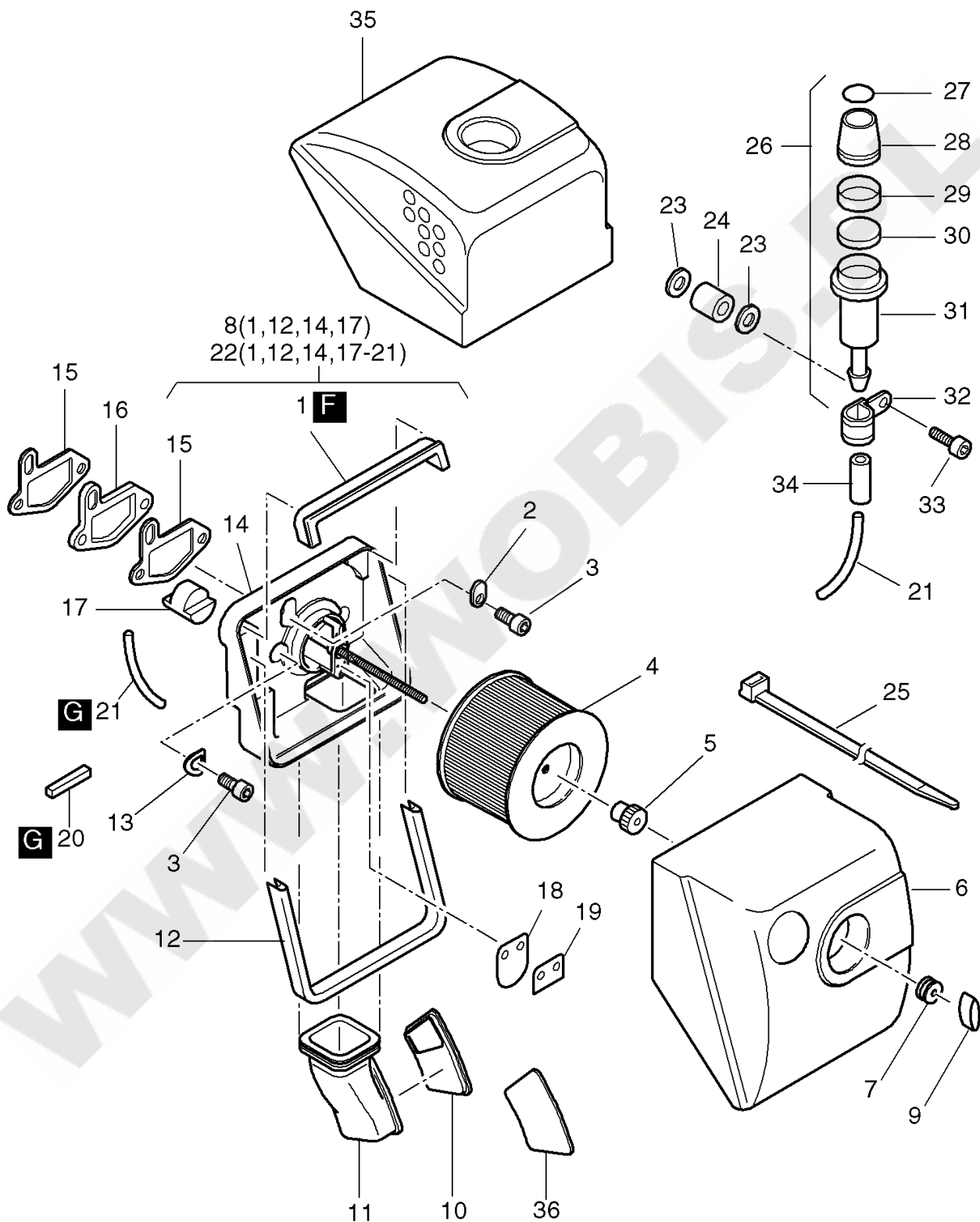


**ORYGINALNE CZĘŚCI ZAMIENNE      SERWIS GWARANCYJNY I POGWARANCYJNY**  
**WYMIARY SERWISOWE ORAZ KATALOGI CZĘŚCI ZAMIENNYCH NA STRONIE WWW.WOBIS.PL/SERWIS**

| Pos. | Part no. | Description         | Qty. | Notice   | Add. notice | kg    | EA | TA | DA | dDPW   | List price |
|------|----------|---------------------|------|--|-------------|-------|----|----|----|--------|------------|
| 1    | 01578810 | FUEL TANK 3 LTRS    | 1    | part was replaced by 01578820  |             | 0,000 | 0  | 21 | 7  |        |            |
| 2    | 01535302 | CAP F. FUEL TANK    | 1    | kpl. cpl.  |             | 0,100 | 1  | 21 | 1  |        |            |
| 3    | 05084600 | SPRING              | 1    |  |             | 0,003 | 9  | 21 | 0  |        |            |
| 4    | 05085100 | FUEL HOSE 7 X 165   | 1    | 7 x 165  |             | 0,001 | 1  | 21 | 0  |        |            |
| 5    | 50440600 | HOSE NIPPLE T       | 1    |  |             | 0,004 | 4  | 21 | 1  |        |            |
| 6    | 05084900 | FUEL HOSE 7 X 190   | 1    | 7 x 190  |             | 0,015 | 1  | 21 | 0  |        |            |
| 7    | 01534900 | FUEL VENT. VALVE    | 1    |  |             | 0,004 | 1  | 21 | 1  |        |            |
| 8    | 50441100 | HOSE CLIP           | 2    | 11,8-505R  |             | 0,003 | 4  | 21 | 1  | P1     |            |
| 9    | 05084000 | CONNECTING NIPPLE   | 1    |  |             | 0,006 | 9  | 21 | 0  |        |            |
| 11   | 05086401 | GASKET F. FUEL CAP  | 1    |  |             | 0,028 | 1  | 21 | 1  |        |            |
| 12   | 50440800 | RUBBER SLEEVE       | 1    |  |             | 0,004 | 4  | 21 | 1  |        |            |
| 13   | 05123100 | FUEL HOSE 7 / 70    | 1    | 7 x 70   |             | 0,005 | 1  | 21 | 1  |        |            |
| 14   | 05085300 | FUEL HOSE 3,5X 45   | 1    | 3,5 x 45   |             | 0,004 | 1  | 21 | 1  |        |            |
| 15   | 01534600 | FUEL VENTG.VALVE    | 1    | part was replaced by 01534601  |             | 0,003 | 0  | 21 | 7  |        |            |
| 16   | 03673300 | FUEL HOSE 5,0X 170  | 1    | 5 x 170  |             | 0,011 | 9  | 21 | 0  |        |            |
| 17   | 05122200 | FUEL PIPE           | 1    |  |             | 0,013 | 9  | 21 | 0  |        |            |
| 18   | 05130400 | RUBBER SLEEVE       | 2    |  |             | 0,001 | 1  | 21 | 1  |        |            |
| 19   | 50440900 | RUBBER SLEEVE       | 1    |  |             | 0,001 | 9  | 21 | 0  |        |            |
| 20   | 05085600 | BREATH. HOSE 1X3X85 | 1    | 1 x 3 x 85   |             | 0,002 | 1  | 21 | 1  |        |            |
| 21   | 50231900 | STUD M 8X 25        | 2    | M 8 x 25 DIN 835-8.8 A3C   |             | 0,012 | 4  | 11 | 1  |        |            |
| 22   | 05109810 | DISC 8,20X22X2      | 4    | 8,2 x 22 x 2   |             | 0,001 | 1  | 21 | 1  |        |            |
| 23   | 05086810 | RUBBER SHELL        | 2    |  |             | 0,004 | 1  | 21 | 1  |        |            |
| 24   | 05122800 | INSULATING SLEEVE   | 2    |  |             | 0,001 | 1  | 21 | 1  |        |            |
| 25   | 40028400 | HEX.NUT M 8         | 2    | VM 8 DIN 980-8 C3A   |             | 0,008 | 4  | 11 | 1  | zzNein |            |
| 26   | _noorder | No single order     | -    |  |             |       |    |    |    |        |            |
| 27   | 01635200 | FUEL FILTER         | 1    | 1B20: Serie 10-24<br>1B30: Serie 10-19<br>1B20V/30V/40V<br>part was replaced by 01635210 |             | 0,014 | 0  | 22 | 7  | W2     |            |
| 28   | 50440900 | RUBBER SLEEVE       | 1    |  |             | 0,001 | 9  | 21 | 0  |        |            |
| 29   | 05084400 | CONNECTING NIPPLE   | 1    | part was replaced by 05084401  |             | 0,011 | 0  | 21 | 7  |        |            |

**ORYGINALNE CZĘŚCI ZAMIENNE      SERWIS GWARANCYJNY I POGWARANCYJNY**  
**WYMIARY SERWISOWE ORAZ KATALOGI CZĘŚCI ZAMIENNYCH NA STRONIE WWW.WOBIS.PL/SERWIS**

| Pos. | Part no. | Description        | Qty. | Notice                   | Add. notice | kg    | EA | TA | DA | dDPW | List price |
|------|----------|--------------------|------|--------------------------|-------------|-------|----|----|----|------|------------|
| 30   | 05085000 | FUEL HOSE 7 X 70   | 1    | 7 x 70                   |             | 0,005 | 1  | 21 | 0  |      |            |
| 31   | 05085500 | TUBE 2X0,3X 16     | 1    | 2 x 0,3 x 16             |             | 0,001 | 1  | 21 | 1  |      |            |
| 32   | 05107700 | RUBBER SLEEVE      | 2    |                          |             | 0,008 | 1  | 11 | 1  |      |            |
| 34   | 50170900 | SPRING WASHER 6    | 2    | 6 DIN 128 - A3C          |             | 0,001 | 4  | 11 | 1  |      |            |
| 35   | 50144400 | HEXAGON NUT M 6    | 2    | M 6 DIN 934 - 8 A3C      |             | 0,002 | 4  | 11 | 1  |      |            |
| 36   | 05108511 | SUPPORT            | 1    |                          |             | 0,059 | 1  | 21 | 1  |      |            |
| 37   | 01331300 | SUPPORT            | 2    |                          |             | 0,018 | 1  | 21 | 1  |      |            |
| 38   | 50120000 | DISC A 6,4         | 4    | A 6,4 DIN 9021-St A3C    |             | 0,003 | 4  | 11 | 1  |      |            |
| 39   | 05110010 | DISC 7,1X17,9X2    | 4    | 7,1 x 17,9 x 2           |             | 0,001 | 1  | 11 | 1  |      |            |
| 40   | 01557000 | HEXSCREW M 6X 16   | 2    | M 6 x 18                 |             | 0,007 | 1  | 21 | 1  |      |            |
| 41   | 04118800 | DISC 6,5X13X4,8    | 2    | 6,5 x 13 x 4,8           |             | 0,001 | 1  | 11 | 1  |      |            |
| 42   | 50144500 | FLAT WASHER 6,4    | 2    | 6,4 DIN 125-St A3C       |             | 0,001 | 4  | 11 | 1  |      |            |
| 43   | 50170900 | SPRING WASHER 6    | 2    | 6 DIN 128 - A3C          |             | 0,001 | 4  | 11 | 1  |      |            |
| 44   | 50170700 | ALL.SCR.M 6 X 16   | 2    | M 6 x 16 DIN 912-8.8 A3C |             | 0,006 | 4  | 11 | 1  |      |            |
| 49   | 05122701 | HOSE NIPPLE T      | 1    |                          |             | 0,002 | 1  | 21 | 1  |      |            |
| 50   | 05123200 | FUEL HOSE 3,5 / 40 | 1    | 3,5 x 40                 |             | 0,004 | 1  | 01 | 1  |      |            |
| 51   | 03664300 | FUEL HOSE 5,0X75   | 1    | 5 x 75                   |             | 0,005 | 9  | 21 | 0  |      |            |
| 52   | 50399801 | CLAMP 11,3         | 1    | 11,3                     |             | 0,002 | 4  | 11 | 1  |      |            |
| 53   | 50459600 | HOSE NIPPLE "T"    | 1    |                          |             | 0,003 | 4  | 21 | 1  |      |            |
| 54   | 50148100 | FLAT WASHER 8,4    | 2    | 8,4 DIN 125-St A3C       |             | 0,002 | 4  | 11 | 1  |      |            |
| 55   | 05129610 | CONNECTING NIPPLE  | 1    |                          |             | 0,003 | 1  | 21 | 1  |      |            |
| D    | 50223300 | LOCTITE 221        | 1    | 50 ML                    |             | 0,077 | 4  | 12 | 0  |      |            |
|      |          |                    |      |                          |             |       |    |    |    |      |            |
|      |          |                    |      |                          |             |       |    |    |    |      |            |
|      |          |                    |      |                          |             |       |    |    |    |      |            |
|      |          |                    |      |                          |             |       |    |    |    |      |            |
|      |          |                    |      |                          |             |       |    |    |    |      |            |
|      |          |                    |      |                          |             |       |    |    |    |      |            |
|      |          |                    |      |                          |             |       |    |    |    |      |            |
|      |          |                    |      |                          |             |       |    |    |    |      |            |
|      |          |                    |      |                          |             |       |    |    |    |      |            |
|      |          |                    |      |                          |             |       |    |    |    |      |            |
|      |          |                    |      |                          |             |       |    |    |    |      |            |



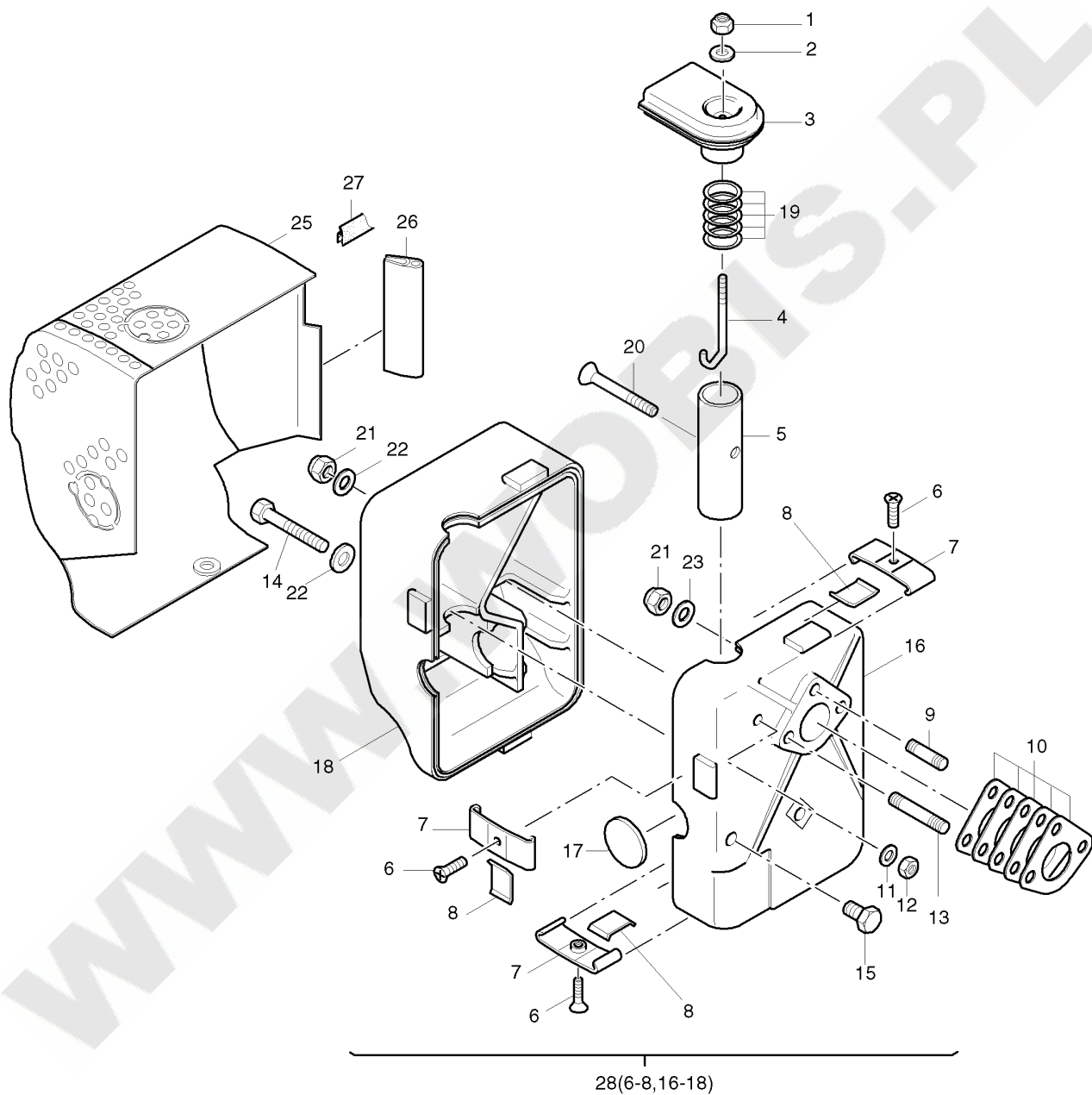


**ORYGINALNE CZĘŚCI ZAMIENNE      SERWIS GWARANCYJNY I POGWARANCYJNY**  
**WYMIARY SERWISOWE ORAZ KATALOGI CZĘŚCI ZAMIENNYCH NA STRONIE [WWW.WOBIS.PL/SERWIS](http://WWW.WOBIS.PL/SERWIS)**

| Pos. | Part no. | Description         | Qty. | Notice                         | Add. notice | kg    | EA | TA | DA | dDPW | List price |
|------|----------|---------------------|------|--------------------------------|-------------|-------|----|----|----|------|------------|
| 1    | 05082900 | SEALING STRIP       | 1    |                                |             | 0,020 | 1  | 21 | 3  |      |            |
| 2    | 05056400 | WASHER              | 1    |                                |             | 0,003 | 1  | 21 | 1  |      |            |
| 3    | 50171500 | ALL.SCR.M 8X 25     | 3    | M 8 x 25 DIN 912-8.8 A3C       |             | 0,015 | 4  | 11 | 1  |      |            |
| 4    | 50426000 | AIRFILTER ELEMENT   | 1    |                                |             | 0,102 | 4  | 21 | 1  | W2   |            |
| 5    | 50454300 | KNURLED NUT M 6     | 1    | M 6                            |             | 0,002 | 4  | 21 | 1  |      |            |
| 6    | 05054900 | COVER F.AIRFILTER   | 1    | part was replaced by 01699100  |             | 0,000 | 0  | 21 | 7  |      |            |
| 7    | 50435800 | RUBBER SLEEVE       | 1    |                                |             | 0,002 | 4  | 21 | 1  |      |            |
| 8    | 01515100 | AIRFILTER HOUSING   | 1    | part was replaced by 01607901  |             | 0,465 | 0  | 21 | 7  |      |            |
| 9    | 50452200 | WING NUT M6         | 1    | M 6                            |             | 0,011 | 4  | 21 | 1  |      |            |
| 10   | 04104200 | COVER F.RUBB.INSERT | 1    |                                |             | 0,017 | 1  | 21 | 1  |      |            |
| 11   | 04103000 | RUBBER INSERT       | 1    |                                |             | 0,061 | 1  | 11 | 1  |      |            |
| 12   | 05056100 | SEALING STRIP 365MM | 1    | 365 mm                         |             | 0,032 | 1  | 21 | 3  |      |            |
| 13   | 50095100 | SPRING WASHER A 8   | 2    | A 8 DIN 137 A3C                |             | 0,001 | 4  | 11 | 1  |      |            |
| 14   | _noorder | No single order     | -    |                                |             |       |    |    |    |      |            |
| 15   | 05056300 | GASKET AIR FILTER   | 2    |                                |             | 0,001 | 1  | 21 | 1  | d2   |            |
| 16   | 05088300 | INSULATING FLANGE   | 1    |                                |             | 0,008 | 1  | 21 | 1  |      |            |
| 17   | 05098100 | PLUG                | 1    |                                |             | 0,003 | 1  | 21 | 1  |      |            |
| 18   | 05147100 | VALVE PLATE         | 1    | (schwarz, black, noir)         |             | 0,001 | 1  | 21 | 1  |      |            |
| 19   | 05147200 | VALVE PLATE         | 1    | (rot, red, rouge)              |             | 0,001 | 1  | 21 | 1  |      |            |
| 20   | 03599000 | SEALING STRIP       | 1    | 8 x 8 x 30                     |             | 0,001 | 9  | 11 | 0  |      |            |
| 21   | 05043810 | HOSE 2 X 4 X 215    | 1    | 2 x 4 x 215                    |             | 0,004 | 1  | 21 | 0  |      |            |
| 22   | 01603600 | AIRFILTER HOUSING   | 1    |                                |             | 0,579 | 9  | 21 | 0  |      |            |
| 23   | 50380500 | TOOTH.LOCK WASH.J 6 | 2    | J 6,4 DIN 6797-A3C             |             | 0,001 | 4  | 11 | 1  |      |            |
| 24   | 04139000 | SPAC.TUBE 6,5X12X18 | 1    | 6,5 x 12 x 18                  |             | 0,004 | 1  | 11 | 1  |      |            |
| 25   | 50358400 | STRAP               | 1    | 200 x 4,8 mm SCHWARZ           |             | 0,001 | 4  | 11 | 1  |      |            |
| 26   | 01499801 | MAINT.INDICATOR     | 1    |                                |             | 0,026 | 1  | 21 | 1  |      |            |
| 27   | 05044501 | INDIC. PLATE        | 1    |                                |             | 0,001 | 1  | 21 | 1  |      |            |
| 28   | 05043601 | RUBBER CAP          | 1    |                                |             | 0,002 | 1  | 21 | 1  |      |            |
| 29   | 05045600 | SIGNAL RING         | 1    | (grün, green, vert, verde)     |             | 0,001 | 1  | 21 | 1  |      |            |
| 30   | 05137200 | FILTER              | 1    | Filter, Filtre, Filtro ø 20 mm |             | 0,001 | 1  | 21 | 1  |      |            |

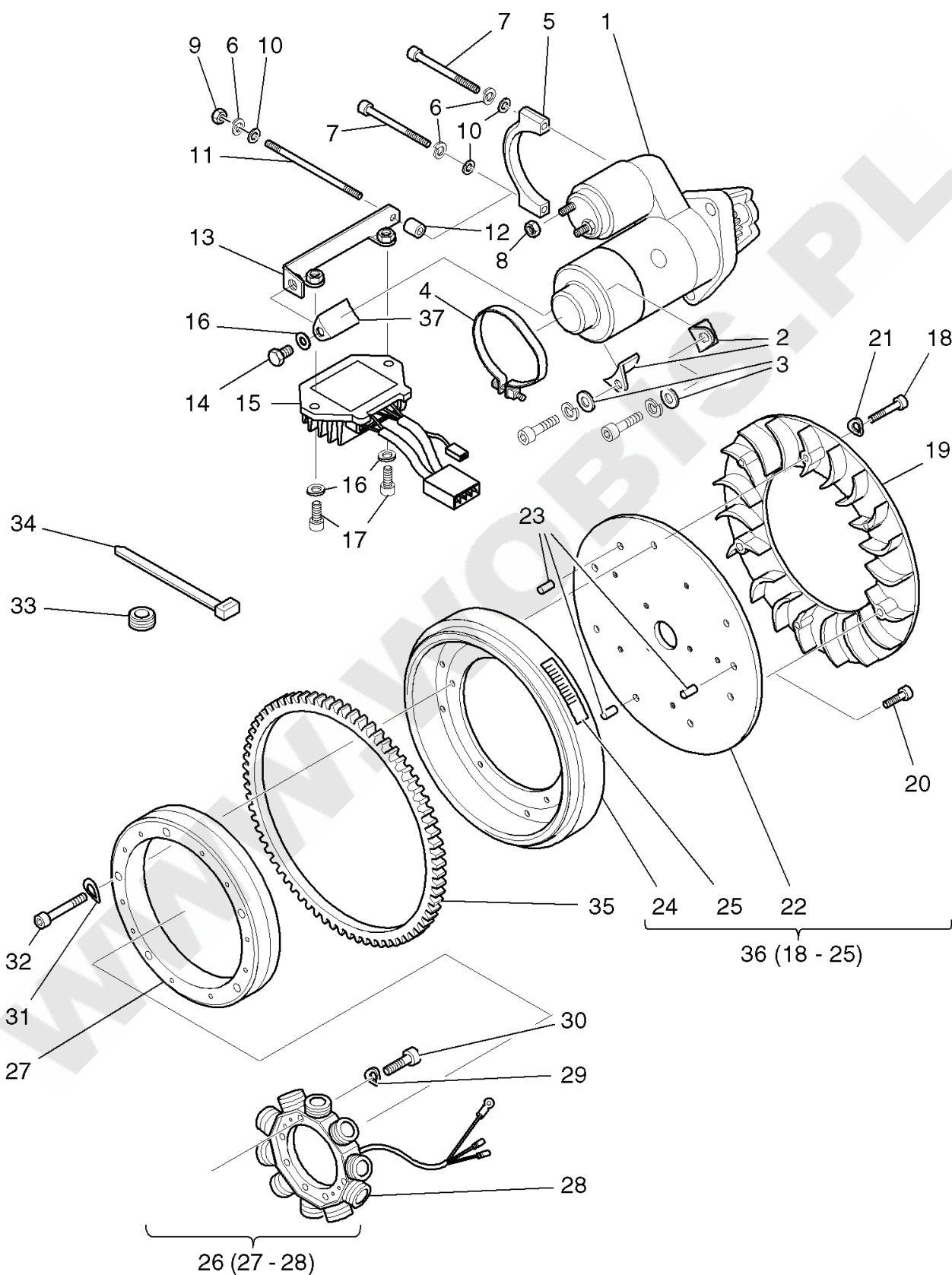
**ORYGINALNE CZĘŚCI ZAMIENNE          SERWIS GWARANCYJNY I POGWARANCYJNY  
WYMIARY SERWISOWE ORAZ KATALOGI CZĘŚCI ZAMIENNYCH NA STRONIE WWW.WOBIS.PL/SERWIS**

| Pos. | Part no. | Description         | Qty. | Notice                        | Add. notice | kg    | EA | TA | DA | dDPW | List price |
|------|----------|---------------------|------|-------------------------------|-------------|-------|----|----|----|------|------------|
| 31   | 05043700 | ADAPTER             | 1    |                               |             | 0,014 | 1  | 21 | 1  |      |            |
| 32   | 50173500 | PIPE CLIP           | 1    | 10 / 15                       |             | 0,010 | 4  | 11 | 1  |      |            |
| 33   | 50374900 | ALL.SCR.M 6X35      | 1    | M 6 x 35 DIN 912-8.8 A3C      |             | 0,010 | 4  | 11 | 1  |      |            |
| 34   | 03961400 | FUEL HOSE 3,5 X 50  | 1    | 3,5 x 50                      |             | 0,002 | 9  | 21 | 0  |      |            |
| 35   | 05131900 | COVER F.AIRFILTER   | 1    | part was replaced by 01699200 |             | 0,000 | 0  | 21 | 7  |      |            |
| 36   | 04113800 | COVER               | 1    | part was replaced by 04215100 |             | 0,025 | 9  | 11 | 0  |      |            |
| F    | 50223900 | TECHNICOLL CLEANER  | 1    | 750 GR                        |             | 0,870 | 4  | 12 | 0  |      |            |
| F    | 50223800 | TECHNICL.ADHES.8058 | 1    | 750 GR                        |             | 0,875 | 4  | 12 | 0  |      |            |
| G    | 50256501 | LOCTITE IS 407      | 1    | 20 ML                         |             | 0,033 | 4  | 12 | 0  |      |            |
|      |          |                     |      |                               |             |       |    |    |    |      |            |
|      |          |                     |      |                               |             |       |    |    |    |      |            |
|      |          |                     |      |                               |             |       |    |    |    |      |            |
|      |          |                     |      |                               |             |       |    |    |    |      |            |
|      |          |                     |      |                               |             |       |    |    |    |      |            |
|      |          |                     |      |                               |             |       |    |    |    |      |            |
|      |          |                     |      |                               |             |       |    |    |    |      |            |
|      |          |                     |      |                               |             |       |    |    |    |      |            |
|      |          |                     |      |                               |             |       |    |    |    |      |            |
|      |          |                     |      |                               |             |       |    |    |    |      |            |
|      |          |                     |      |                               |             |       |    |    |    |      |            |
|      |          |                     |      |                               |             |       |    |    |    |      |            |
|      |          |                     |      |                               |             |       |    |    |    |      |            |
|      |          |                     |      |                               |             |       |    |    |    |      |            |
|      |          |                     |      |                               |             |       |    |    |    |      |            |
|      |          |                     |      |                               |             |       |    |    |    |      |            |
|      |          |                     |      |                               |             |       |    |    |    |      |            |
|      |          |                     |      |                               |             |       |    |    |    |      |            |
|      |          |                     |      |                               |             |       |    |    |    |      |            |
|      |          |                     |      |                               |             |       |    |    |    |      |            |
|      |          |                     |      |                               |             |       |    |    |    |      |            |
|      |          |                     |      |                               |             |       |    |    |    |      |            |



**ORYGINALNE CZĘŚCI ZAMIENNE      SERWIS GWARANCYJNY I POGWARANCYJNY**  
**WYMIARY SERWISOWE ORAZ KATALOGI CZĘŚCI ZAMIENNYCH NA STRONIE [WWW.WOBIS.PL/SERWIS](http://WWW.WOBIS.PL/SERWIS)**

| Pos. | Part no. | Description         | Qty. | Notice                        | Add. notice | kg    | EA | TA | DA | dDPW | List price |
|------|----------|---------------------|------|-------------------------------|-------------|-------|----|----|----|------|------------|
| 1    | 40028300 | HEX.NUT M 6         | 1    | VM 6 DIN 980 C3P              |             | 0,003 | 4  | 11 | 1  |      |            |
| 2    | 50144500 | FLAT WASHER 6,4     | 1    | 6,4 DIN 125-St A3C            |             | 0,001 | 4  | 11 | 1  |      |            |
| 3    | 01531311 | EXHAUST END PIPE    | 1    | part was replaced by 01531312 |             | 0,086 | 0  | 21 | 7  |      |            |
| 4    | 05081101 | THREADED BOLT M6    | 1    | M 6                           |             | 0,020 | 1  | 21 | 5  |      |            |
| 5    | 05081410 | EXHAUST TUBE        | 1    |                               |             | 0,090 | 1  | 21 | 5  |      |            |
| 6    | 50422500 | CTR.SUNK SCR. M6X12 | 3    | M 6 x 12 DIN 7991 - 8.8 A3C   |             | 0,002 | 0  | 11 | 7  |      |            |
| 7    | 01531201 | CLAMP               | 3    |                               |             | 0,033 | 1  | 21 | 5  |      |            |
| 8    | 05081611 | SUPPORTING PLATE    | 3    |                               |             | 0,011 | 1  | 21 | 5  |      |            |
| 9    | 50128100 | STUD M8X30          | 2    | M 8 x 30 DIN 835 - 10.9 A3C   |             | 0,013 | 4  | 11 | 1  |      |            |
| 10   | 05080100 | GASK.F.EXHST.SILEN. | 5    | part was replaced by 01732500 |             | 0,004 | 1  | 21 | 0  |      |            |
| 11   | 50144500 | FLAT WASHER 6,4     | 1    | 6,4 DIN 125-St A3C            |             | 0,001 | 4  | 11 | 1  |      |            |
| 12   | 40028300 | HEX.NUT M 6         | 1    | VM 6 DIN 980 C3P              |             | 0,003 | 4  | 11 | 1  |      |            |
| 13   | 50039500 | STUD M 8X110        | 1    | M 8 x 110 DIN 835-8.8 A3C     |             | 0,047 | 4  | 21 | 5  |      |            |
| 14   | 50028800 | HEXSCREW M 8X 90    | 1    | M 8 x 90 DIN 931 - 8.8 A3C    |             | 0,040 | 4  | 21 | 1  |      |            |
| 15   | 50450500 | HEXSCREW M 8X 12    | 1    | M 8 x 12 DIN 7500 - D A3A     |             | 0,009 | 4  | 21 | 5  |      |            |
| 16   | _noorder | No single order     | -    |                               |             |       |    |    |    |      |            |
| 17   | 05081002 | COVER               | 1    |                               |             | 0,007 | 1  | 21 | 5  |      |            |
| 18   | _noorder | No single order     | -    |                               |             |       |    |    |    |      |            |
| 19   | 05127000 | WASHER 28,1X34X0,5  | 5    | 28,1 x 34 x 0,5               |             | 0,001 | 1  | 21 | 5  |      |            |
| 20   | 50445000 | CTR.SUNK SCR.M6X35  | 1    | M 6 x 35 DIN 7991 - 8.8 A3C   |             | 0,007 | 4  | 11 | 1  |      |            |
| 21   | 40028400 | HEX.NUT M 8         | 3    | VM 8 DIN 980-8 C3A            |             | 0,008 | 4  | 11 | 1  |      |            |
| 22   | 50148100 | FLAT WASHER 8,4     | 2    | 8,4 DIN 125-St A3C            |             | 0,002 | 4  | 11 | 1  |      |            |
| 23   | 50123000 | DISC 8,4            | 2    | 8,4 DIN 7349                  |             | 0,008 | 4  | 21 | 1  |      |            |
| 25   | 01532300 | PROTECT.GUARD EXHST | 1    | part was replaced by 01532301 |             | 0,660 | 0  | 21 | 7  |      |            |
| 26   | 05100300 | SEALING STRIP 65MM  | 1    | 65 mm                         |             | 0,006 | 1  | 21 | 1  |      |            |
| 27   | 05135000 | SEALING STRIP 33MM  | 1    | 33 mm                         |             | 0,006 | 1  | 11 | 1  |      |            |
| 28   | 01531105 | EXHAUST SILENC.1B20 | 1    |                               |             | 1,893 | 1  | 22 | 5  |      |            |
|      |          |                     |      |                               |             |       |    |    |    |      |            |
|      |          |                     |      |                               |             |       |    |    |    |      |            |
|      |          |                     |      |                               |             |       |    |    |    |      |            |



**ORYGINALNE CZĘŚCI ZAMIENNE      SERWIS GWARANCYJNY I POGWARANCYJNY**  
**WYMIARY SERWISOWE ORAZ KATALOGI CZĘŚCI ZAMIENNYCH NA STRONIE WWW.WOBIS.PL/SERWIS**

| Pos. | Part no. | Description         | Qty. | Notice                          | Add. notice | kg    | EA | TA | DA | dDPW | List price |
|------|----------|---------------------|------|---------------------------------|-------------|-------|----|----|----|------|------------|
| 1    | 50426201 | STARTER 12V         | 1    | part was replaced by 01723400   |             | 3,506 | 9  | 21 | 0  |      |            |
| 2    | 04138400 | SUPPORT             | 2    |                                 |             | 0,023 | 1  | 21 | 1  |      |            |
| 3    | 50148100 | FLAT WASHER 8,4     | 2    | 8,4 DIN 125-St A3C              |             | 0,002 | 4  | 11 | 1  |      |            |
| 4    | 04115600 | HOSE CLIP           | 1    | part was replaced by 50529800   |             | 0,000 | 0  | 21 | 7  |      |            |
| 5    | 04099100 | RETAINING BRACKET   | 1    |                                 |             | 0,093 | 1  | 21 | 1  |      |            |
| 6    | 50170900 | SPRING WASHER 6     | 2    | 6 DIN 128 - A3C                 |             | 0,001 | 4  | 11 | 1  |      |            |
| 7    | 50444300 | ALL.SCR. M 6 X 80   | 2    | M 6 x 80 DIN 912 - 8.8 A3C      |             | 0,019 | 4  | 11 | 1  |      |            |
| 8    | 50023200 | HEXAGON NUT B M 8   | 1    | BM8 DIN 439 - 5 A3C             |             | 0,002 | 4  | 11 | 1  |      |            |
| 9    | 50144400 | HEXAGON NUT M 6     | 1    | M 6 DIN 934 - 8 A3C             |             | 0,002 | 4  | 11 | 1  |      |            |
| 10   | 50144500 | FLAT WASHER 6,4     | 2    | 6,4 DIN 125-St A3C              |             | 0,001 | 4  | 11 | 1  |      |            |
| 11   | 50455900 | STUD MFS 6X 90      | 1    | MFS 6x90 DIN 949 - 1 8.8 A3C    |             | 0,022 | 4  | 21 | 1  |      |            |
| 12   | 03671400 | SPACER BUSH         | 1    | 7 x 12 x 15                     |             | 0,020 | 1  | 21 | 1  |      |            |
| 13   | 01560900 | SUPPORTTENS.REGUL.  | 1    |                                 |             | 0,068 | 1  | 21 | 1  |      |            |
| 14   | 50096200 | HEXSCREW M 8X 12    | 1    | M 8 x 12 DIN 933 - 8.8 A3C      |             | 0,009 | 4  | 21 | 1  |      |            |
| 15   | 05100701 | TENS.REGULATOR 12V  | 1    | 12 V                            |             | 0,253 | 4  | 21 | 0  |      |            |
| 16   | 50148100 | FLAT WASHER 8,4     | 3    | 8,4 DIN 125-St A3C              |             | 0,002 | 4  | 11 | 1  |      |            |
| 17   | 50165400 | ALL.SCR.M 8X 16     | 2    | M 8 x 16 DIN 912-8.8 A3C        |             | 0,009 | 4  | 21 | 1  |      |            |
| 18   | 50327300 | ALL.SCR.M 4X 20     | 6    | M 4 x 20 DIN 912 - 8.8 A3C      |             | 0,003 | 4  | 11 | 1  |      |            |
| 19   | 01321310 | BLOWER RING         | 1    | part was replaced by 04193700   |             | 0,227 | 0  | 11 | 7  |      |            |
| 20   | 50416800 | ALL.SCR. M 6X 16    | 3    | M 6 x 16 DIN 912 - 8.8 A3C Tuf. |             | 0,005 | 4  | 11 | 1  |      |            |
| 21   | 50003400 | SPRING WASHER A 4   | 6    | A 4 DIN 137 - ST                |             | 0,001 | 4  | 11 | 1  |      |            |
| 22   | 04098720 | FLANGE              | 1    |                                 |             | 1,755 | 1  | 21 | 1  |      |            |
| 23   | 50035200 | PIN 6 X12           | 3    | 6 x 12 ISO 8752-ST              |             | 0,003 | 4  | 11 | 1  |      |            |
| 24   | 04098210 | ADD. FLYWHEEL       | 1    | part run out no successor       |             | 0,000 | 0  | 21 | 7  |      |            |
| 25   | 04117200 | STICKER "TDC"       | 1    | „E-Start“ OT                    |             | 0,001 | 9  | 21 | 0  |      |            |
| 26   | 50435901 | ALTERNATOR 12V 200W | 1    | 12 V                            |             | 1,530 | 4  | 21 | 3  |      |            |
| 27   | _noorder | No single order     | -    |                                 |             |       |    |    |    |      |            |
| 28   | _noorder | No single order     | -    |                                 |             |       |    |    |    |      |            |
| 29   | 50081900 | SPRING WASHER A 5   | 4    | A 5 DIN 137 A3C                 |             | 0,001 | 4  | 11 | 1  |      |            |
| 30   | 50427100 | ALL.SCR. M 5X 25    | 4    | M 5 x 25 DIN 912 - 8.8 A3C      |             | 0,005 | 4  | 11 | 1  |      |            |

**ORYGINALNE CZĘŚCI ZAMIENNE      SERWIS GWARANCYJNY I POGWARANCYJNY**  
**WYMIARY SERWISOWE ORAZ KATALOGI CZĘŚCI ZAMIENNYCH NA STRONIE WWW.WOBIS.PL/SERWIS**

| Pos. | Part no. | Description         | Qty. | Notice                        | Add. notice | kg    | EA | TA | DA | dDPW   | List price |
|------|----------|---------------------|------|-------------------------------|-------------|-------|----|----|----|--------|------------|
| 31   | 50081200 | SPRING WASHER A 6   | 5    | A 6 DIN 137 - A3C             |             | 0,001 | 4  | 11 | 1  | zzNein |            |
| 32   | 50448700 | ALL.SCR.M 6X 30     | 5    | M 6 x 30 DIN 6912-8.8 A3C     |             | 0,007 | 4  | 21 | 1  |        |            |
| 33   | 03565400 | RUBBER SLEEVE       | 1    |                               |             | 0,003 | 1  | 11 | 1  |        |            |
| 34   | 50358400 | STRAP               | 3    | 200 x 4,8 mm SCHWARZ          |             | 0,001 | 4  | 11 | 1  |        |            |
| 35   | 04098600 | GEARRING            | 1    |                               |             | 0,557 | 1  | 21 | 1  |        |            |
| 36   | 01579800 | FLYWHEEL F.EL.START | 1    | part run out no successor     |             | 0,000 | 0  | 22 | 7  |        |            |
| 37   | 04098100 | SUPPORT             | 1    | part was replaced by 04138400 |             | 0,000 | 0  | 21 | 7  |        |            |
|      |          |                     |      |                               |             |       |    |    |    |        |            |
|      |          |                     |      |                               |             |       |    |    |    |        |            |
|      |          |                     |      |                               |             |       |    |    |    |        |            |
|      |          |                     |      |                               |             |       |    |    |    |        |            |
|      |          |                     |      |                               |             |       |    |    |    |        |            |
|      |          |                     |      |                               |             |       |    |    |    |        |            |
|      |          |                     |      |                               |             |       |    |    |    |        |            |
|      |          |                     |      |                               |             |       |    |    |    |        |            |
|      |          |                     |      |                               |             |       |    |    |    |        |            |
|      |          |                     |      |                               |             |       |    |    |    |        |            |
|      |          |                     |      |                               |             |       |    |    |    |        |            |
|      |          |                     |      |                               |             |       |    |    |    |        |            |
|      |          |                     |      |                               |             |       |    |    |    |        |            |
|      |          |                     |      |                               |             |       |    |    |    |        |            |
|      |          |                     |      |                               |             |       |    |    |    |        |            |
|      |          |                     |      |                               |             |       |    |    |    |        |            |
|      |          |                     |      |                               |             |       |    |    |    |        |            |
|      |          |                     |      |                               |             |       |    |    |    |        |            |
|      |          |                     |      |                               |             |       |    |    |    |        |            |
|      |          |                     |      |                               |             |       |    |    |    |        |            |
|      |          |                     |      |                               |             |       |    |    |    |        |            |
|      |          |                     |      |                               |             |       |    |    |    |        |            |
|      |          |                     |      |                               |             |       |    |    |    |        |            |
|      |          |                     |      |                               |             |       |    |    |    |        |            |

