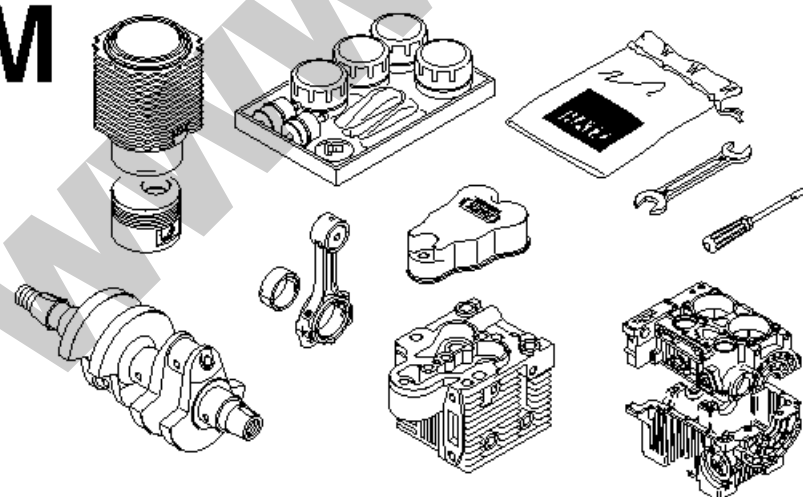


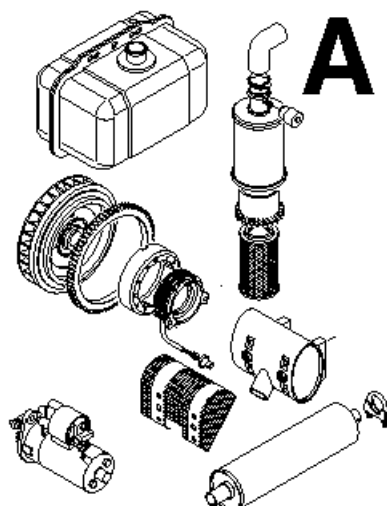
# 2G30.17

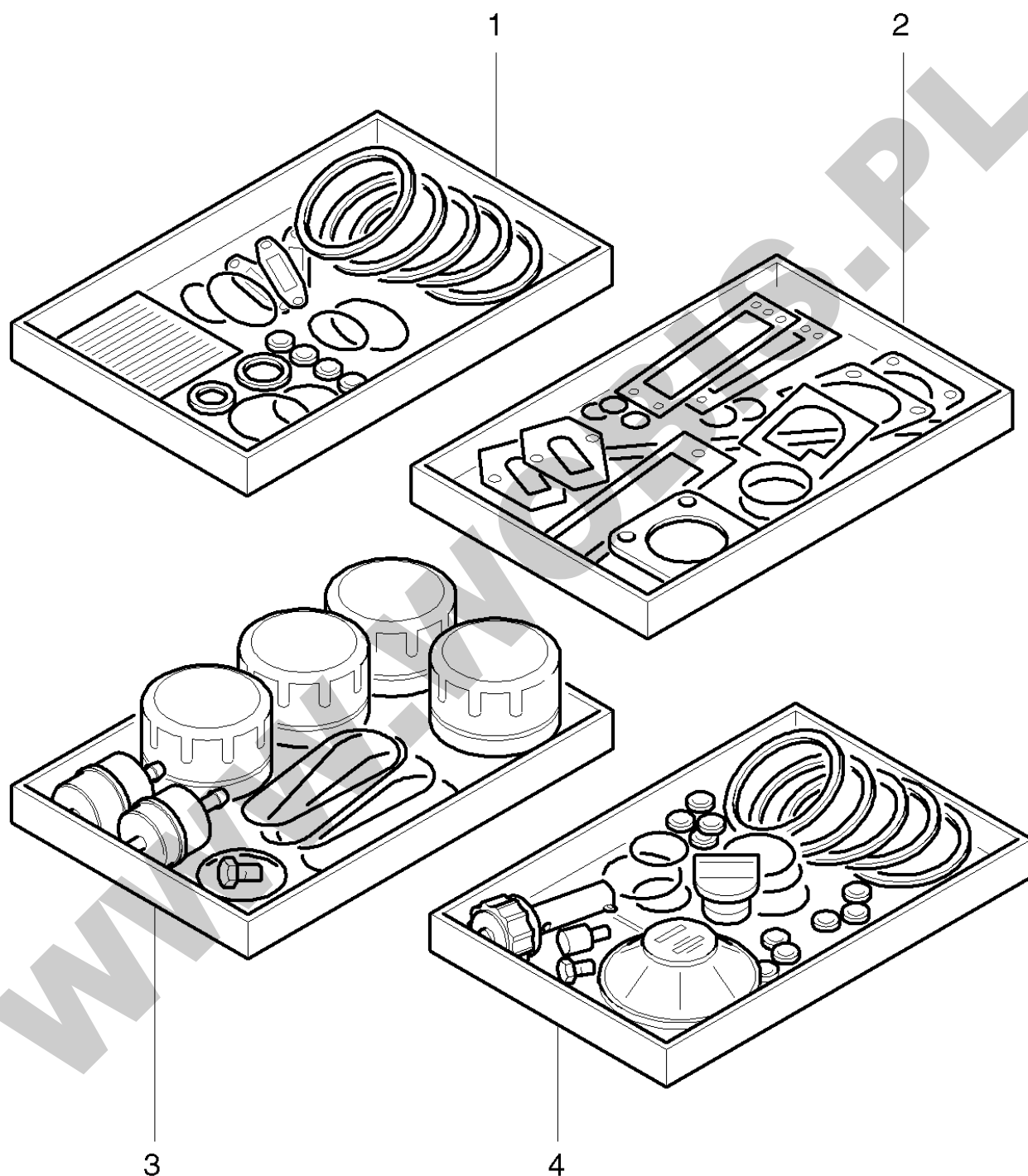


## M



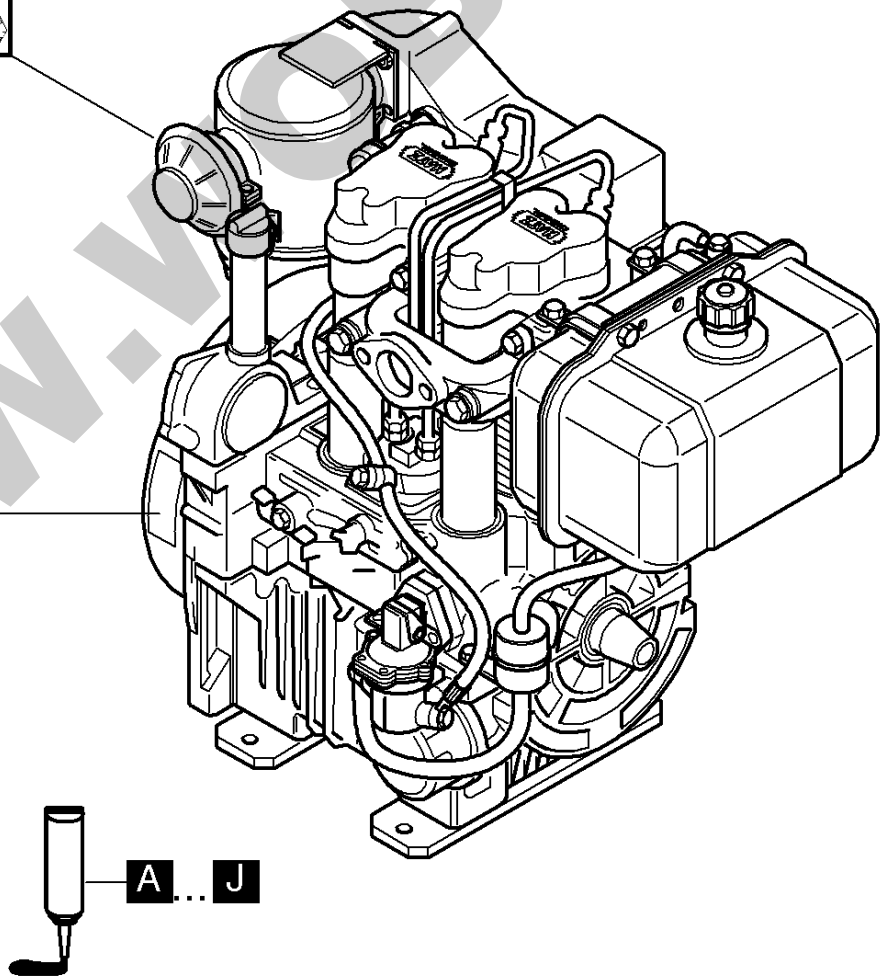
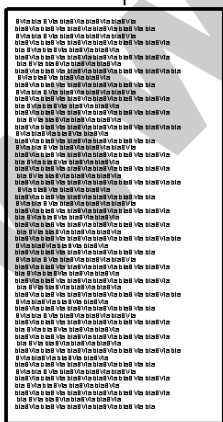
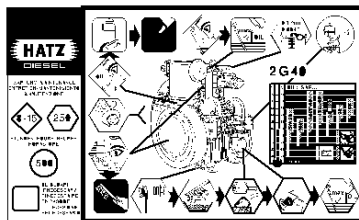
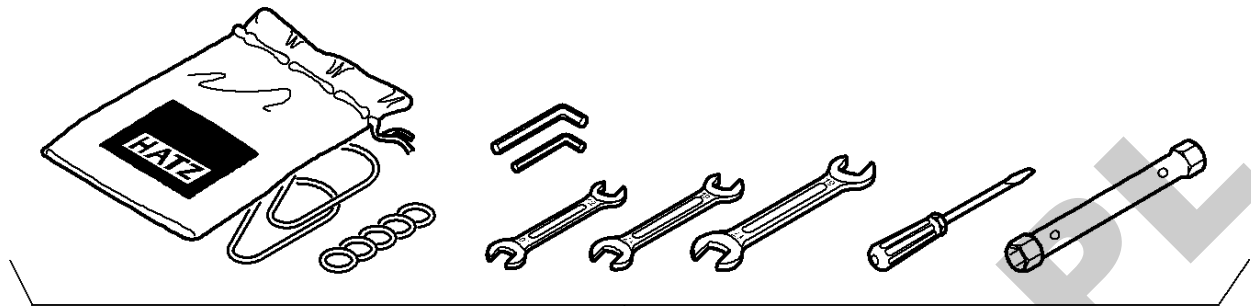
## A





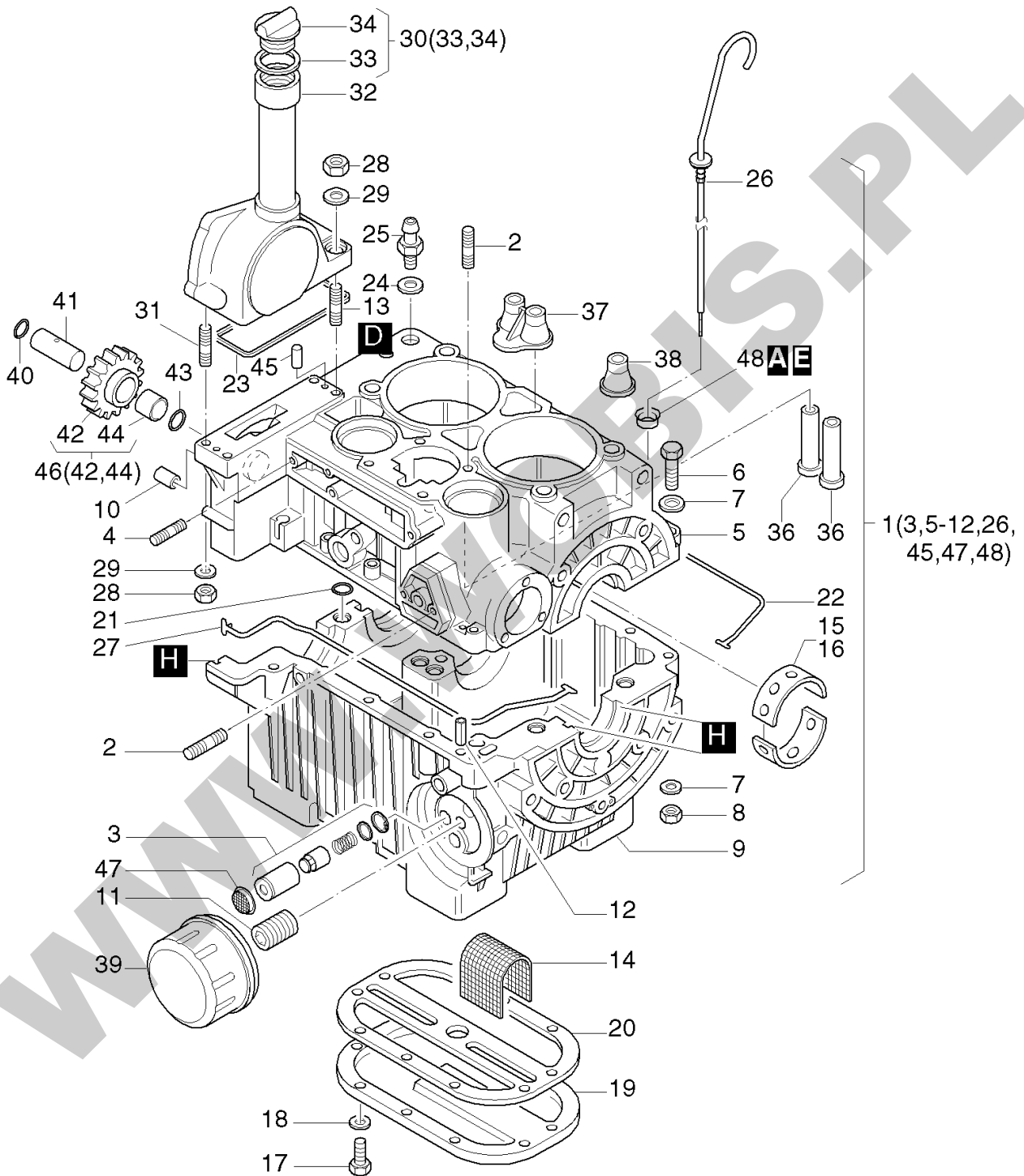
**ORYGINALNE CZĘŚCI ZAMIENNE SERWIS GWARANCYJNY I POGWARANCYJNY WYMIARY  
SERWISOWE ORAZ KATALOGI CZĘŚCI ZAMIENNYCH NA STRONIE WWW.WOBIS.PL/SERWIS**

| Pos. | Part no. | Description         | Qty. | Notice                        | Add. notice | kg    | EA | TA | DA | dDPW | List price |
|------|----------|---------------------|------|-------------------------------|-------------|-------|----|----|----|------|------------|
| 1    | 01228101 | GASK.S.CYL.H. 2G30  | 2    |                               |             | 0,075 | 1  | 12 | 0  | P1   | 134,0885   |
| 2    | 01228000 | GASK.S.CRKC.2G30/40 | 1    | part was replaced by 01228001 |             | 0,100 | 0  | 12 | 7  |      |            |
| 3    | 01228202 | MAINTEN.KIT G30/40  | 1    |                               |             | 1,155 | 1  | 12 | 1  |      | 316,225    |
| 4    | 01228303 | EMERGCY.KIT 2 G 30  | 1    |                               |             | 0,580 | 9  | 12 | 0  |      | 775,593    |
|      |          |                     |      |                               |             |       |    |    |    |      |            |
|      |          |                     |      |                               |             |       |    |    |    |      |            |
|      |          |                     |      |                               |             |       |    |    |    |      |            |
|      |          |                     |      |                               |             |       |    |    |    |      |            |
|      |          |                     |      |                               |             |       |    |    |    |      |            |
|      |          |                     |      |                               |             |       |    |    |    |      |            |
|      |          |                     |      |                               |             |       |    |    |    |      |            |
|      |          |                     |      |                               |             |       |    |    |    |      |            |
|      |          |                     |      |                               |             |       |    |    |    |      |            |
|      |          |                     |      |                               |             |       |    |    |    |      |            |
|      |          |                     |      |                               |             |       |    |    |    |      |            |
|      |          |                     |      |                               |             |       |    |    |    |      |            |
|      |          |                     |      |                               |             |       |    |    |    |      |            |
|      |          |                     |      |                               |             |       |    |    |    |      |            |
|      |          |                     |      |                               |             |       |    |    |    |      |            |
|      |          |                     |      |                               |             |       |    |    |    |      |            |
|      |          |                     |      |                               |             |       |    |    |    |      |            |
|      |          |                     |      |                               |             |       |    |    |    |      |            |
|      |          |                     |      |                               |             |       |    |    |    |      |            |
|      |          |                     |      |                               |             |       |    |    |    |      |            |
|      |          |                     |      |                               |             |       |    |    |    |      |            |
|      |          |                     |      |                               |             |       |    |    |    |      |            |
|      |          |                     |      |                               |             |       |    |    |    |      |            |



**ORYGINALNE CZĘŚCI ZAMIENNE SERWIS GWARANCYJNY I POGWARANCYJNY WYMIARY  
SERWISOWE ORAZ KATALOGI CZĘŚCI ZAMIENNYCH NA STRONIE [WWW.WOBIS.PL/SERWIS](http://WWW.WOBIS.PL/SERWIS)**

| Pos. | Part no. | Description         | Qty. | Notice                                     | Add. notice | kg    | EA | TA | DA | dDPW | List price |
|------|----------|---------------------|------|--|-------------|-------|----|----|----|------|------------|
| 1    | 01231000 | ACCESSORIES KIT     | 1    |  |             | 0,520 | 1  | 11 | 0  |      | 136,6365   |
| 2    | 04009600 | STICKER LABEL       | 1    |  |             | 0,002 | 0  | 11 | 7  |      |            |
| 3    | 03430612 | STICKER LABEL       | 1    |  |             | 0,003 | 1  | 21 | 1  |      | 7,007      |
| A    | 50223001 | LOCTITE ACTIVATOR N | 1    | 500 ML DIN 7649                            |             | 0,580 | 4  | 12 | 0  |      | 270,7705   |
| B    | 50223101 | LOCTITE 574         | 1    | 50 ML                                      |             | 0,088 | 4  | 12 | 0  |      | 99,0535    |
| C    | 50223200 | LOCTITE 601         | 1    | 50 ML                                      |             | 0,079 | 4  | 12 | 0  |      | 99,0535    |
| D    | 50223300 | LOCTITE 221         | 1    | 50 ML                                      |             | 0,077 | 4  | 12 | 0  |      | 99,0535    |
| E    | 50223400 | LOCTITE 648         | 1    | 10 ML                                      |             | 0,021 | 4  | 12 | 0  |      | 38,6295    |
| F    | 50223900 | TECHNICOLL CLEANER  | 1    | 750 GR                                     |             | 0,870 | 4  | 12 | 0  |      | 101,2375   |
| F    | 50223800 | TECHNICL.ADHES.8058 | 1    | 750 GR                                     |             | 0,875 | 4  | 12 | 0  |      | 132,8145   |
| G    | 50256501 | LOCTITE IS 407      | 1    | 20 ML                                      |             | 0,033 | 4  | 12 | 0  |      | 52,143     |
| H    | 50282501 | SILICON SEALER      | 1    | 30ML 1207                                  |             | 0,055 | 4  | 12 | 1  |      | 48,23      |
| J    | 50283004 | HIGH TEMP.PASTE     | 1    |  |             | 0,110 | 4  | 12 | 0  |      | 71,617     |
| K    | 50342600 | GREASE START.DEVICE | 1    | 100 GRAMM<br>part was replaced by 50342601 |             | 0,100 | 0  | 12 | 0  |      |            |
| L    | 50256600 | SILICON SEALER      | 1    |  |             | 0,130 | 4  | 12 | 0  |      | 193,4205   |
| M    | 50485100 | GRINDING PASTE 80ML | 1    |  |             | 0,113 | 4  | 12 | 1  |      | 96,5055    |
|      |          |                     |      |  |             |       |    |    |    |      |            |
|      |          |                     |      |  |             |       |    |    |    |      |            |
|      |          |                     |      |  |             |       |    |    |    |      |            |
|      |          |                     |      |  |             |       |    |    |    |      |            |
|      |          |                     |      |  |             |       |    |    |    |      |            |
|      |          |                     |      |  |             |       |    |    |    |      |            |
|      |          |                     |      |  |             |       |    |    |    |      |            |
|      |          |                     |      |  |             |       |    |    |    |      |            |
|      |          |                     |      |  |             |       |    |    |    |      |            |
|      |          |                     |      |  |             |       |    |    |    |      |            |
|      |          |                     |      |  |             |       |    |    |    |      |            |
|      |          |                     |      |  |             |       |    |    |    |      |            |
|      |          |                     |      |  |             |       |    |    |    |      |            |
|      |          |                     |      |  |             |       |    |    |    |      |            |



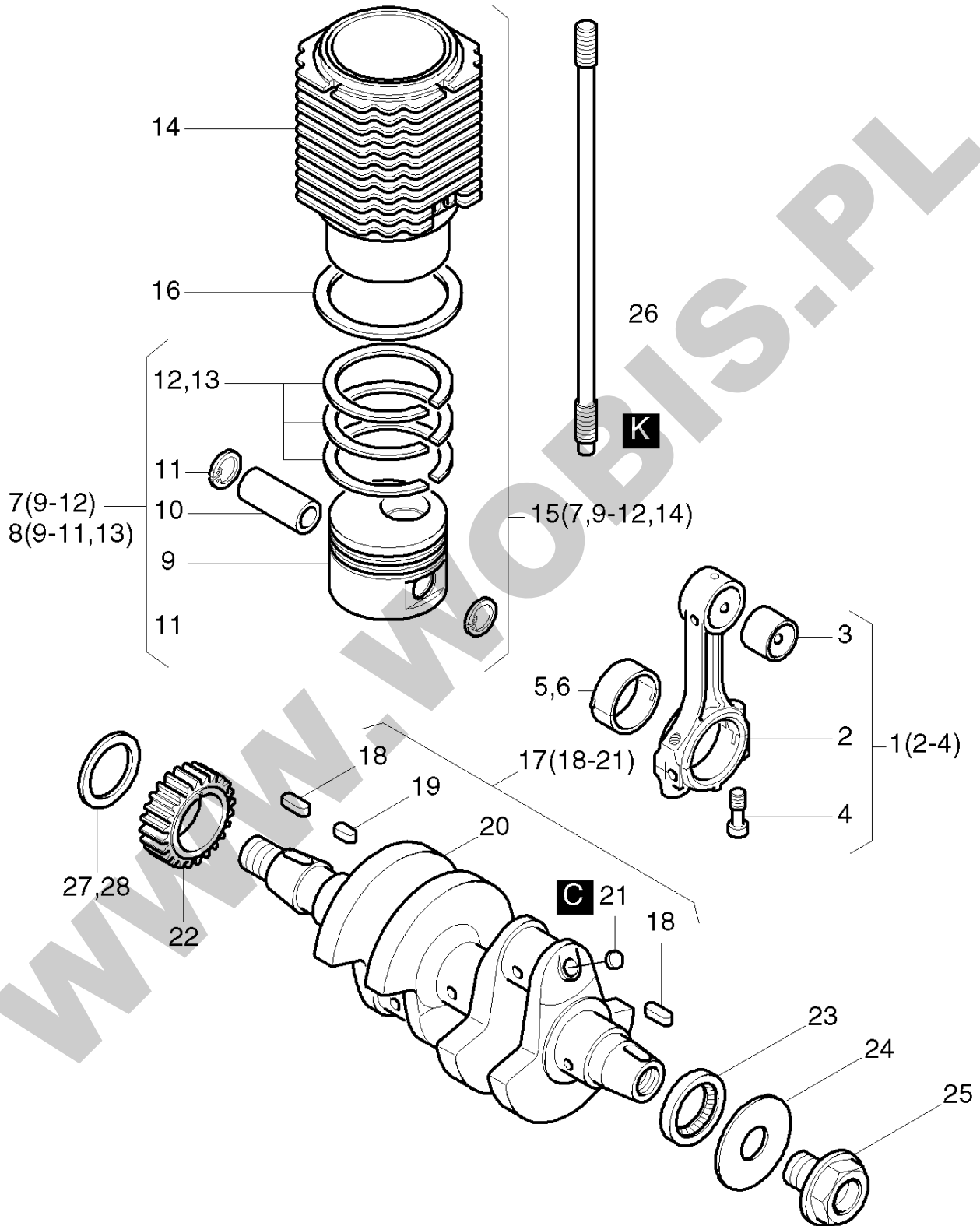
**ORYGINALNE CZĘŚCI ZAMIENNE SERWIS GWARANCYJNY I POGWARANCYJNY WYMIARY  
SERWISOWE ORAZ KATALOGI CZĘŚCI ZAMIENNYCH NA STRONIE WWW.WOBIS.PL/SERWIS**

| Pos. | Part no. | Description        | Qty. | Notice                        | Add. notice | kg    | EA | TA | DA | dDPW | List price |
|------|----------|--------------------|------|-------------------------------|-------------|-------|----|----|----|------|------------|
| 1    | 01227411 | CRANKCASE          | 1    | part was replaced by 01227420 |             | 0,000 | 0  | 12 | 7  |      |            |
| 2    | 50098300 | STUD M8X20         | 6    | M 8 x 20 DIN 835-8.8 A3C      |             | 0,009 | 4  | 11 | 1  |      | 5,3235     |
| 3    | 01221803 | OIL RELIEF VALVE   | 1    |                               |             | 0,022 | 1  | 11 | 0  |      |            |
| 4    | 50307000 | STUD M 6X18        | 1    | part was replaced by 50307001 |             | 0,000 | 0  | 13 | 0  |      |            |
| 5    | _noorder | No single order    | -    |                               |             |       |    |    |    |      |            |
| 6    | 50137000 | HEXSCREW M 6X 50   | 10   | M6 x 50 DIN 931-8.8 A3C       |             | 0,013 | 4  | 11 | 1  |      | 2,457      |
| 7    | 50144500 | FLAT WASHER 6,4    | 21   | 6,4 DIN 125-St A3C            |             | 0,001 | 4  | 11 | 1  |      | 0,455      |
| 8    | 50144400 | HEXAGON NUT M 6    | 10   | M 6 DIN 934 - 8 A3C           |             | 0,002 | 4  | 11 | 1  |      | 1,2285     |
| 9    | _noorder | No single order    | -    |                               |             |       |    |    |    |      |            |
| 10   | 50301000 | ROLL PIN 8 X 12    | 1    | 8 x 12                        |             | 0,001 | 4  | 13 | 1  |      | 2,457      |
| 11   | 50302700 | CONNECTING PIECE   | 1    |                               |             | 0,036 | 1  | 13 | 1  |      | 49,9135    |
| 12   | 50300700 | CYL.PIN 8 H7 X14   | 2    | 8 H 7 x 14                    |             | 0,006 | 4  | 13 | 1  |      | 6,3245     |
| 13   | 50128100 | STUD M8X30         | 2    | M 8 x 30 DIN 835 - 10.9 A3C   |             | 0,013 | 4  | 11 | 1  |      | 3,2305     |
| 14   | 50301400 | OIL SIEVE          | 1    |                               |             | 0,012 | 1  | 13 | 1  |      | 18,20      |
| 15   | 50302100 | MAIN BEARING       | 3    |                               |             | 0,017 | 4  | 13 | 1  |      | 36,6275    |
| 16   | 50324200 | MAIN BEARING 0,5 - | 3    | -0,5                          |             | 0,050 | 4  | 14 | 1  |      | 59,3775    |
| 17   | 50146300 | HEXSCREW M 6X 18   | 10   | M 6 x 18 DIN 933-8.8 A3C      |             | 0,005 | 4  | 11 | 1  |      | 1,001      |
| 18   | 04060600 | WASHER 6,4X16X1,5  | 10   | 6,4 x 16 x 1,5 A3C            |             | 0,002 | 1  | 11 | 1  |      | 1,911      |
| 19   | 50301600 | COVER              | 1    |                               |             | 0,510 | 1  | 13 | 1  |      | 87,2235    |
| 20   | 50301500 | GASKET             | 1    |                               |             | 0,022 | 1  | 13 | 1  | D1   | 29,029     |
| 21   | 50275000 | O-RING 14X1,78     | 8    | 14 x 1,78                     |             | 0,001 | 4  | 11 | 1  | D8   | 3,185      |
| 22   | 50301200 | GASKET             | 1    |                               |             | 0,003 | 1  | 13 | 1  | D1   | 61,1065    |
| 23   | 50323500 | O-RING 70X75X3,1   | 1    | 70 x 75 x 3,1                 |             | 0,003 | 4  | 11 | 1  | D1   | 19,7015    |
| 24   | 50001100 | JOINT A12 X15,5    | 1    | A 12 x 15,5 DIN 7603-Cu       |             | 0,001 | 4  | 11 | 1  | D3   | 0,7735     |
| 25   | 50303000 | HOSE CONNECTION    | 1    |                               |             | 0,030 | 1  | 13 | 1  |      | 39,7215    |
| 26   | 50302911 | DIPSTICK           | 1    |                               |             | 0,043 | 1  | 13 | 1  |      | 60,151     |
| 27   | 50301100 | GASKET             | 1    |                               |             | 0,003 | 1  | 13 | 1  | D1   | 61,1065    |
| 28   | 50335300 | HEXAGON NUT M 8    | 4    | M 8 SW 12 A3C                 |             | 0,004 | 4  | 11 | 1  |      | 1,5015     |
| 29   | 03788800 | WASHER 8,4X15X2    | 4    | 8,4 x 15 x 2                  |             | 0,002 | 1  | 11 | 1  |      | 3,4125     |
| 30   | 01613100 | CAP SCREW          | 1    |                               |             | 0,017 | 1  | 11 | 1  |      | 13,104     |

**ORYGINALNE CZĘŚCI ZAMIENNE SERWIS GWARANCYJNY I POGWARANCYJNY WYMIARY  
SERWISOWE ORAZ KATALOGI CZĘŚCI ZAMIENNYCH NA STRONIE WWW.WOBIS.PL/SERWIS**

| Pos. | Part no. | Description         | Qty. | Notice                        | Add. notice | kg    | EA | TA | DA | dDPW | List price |
|------|----------|---------------------|------|-------------------------------|-------------|-------|----|----|----|------|------------|
| 31   | 50231900 | STUD M 8X 25        | 2    | M 8 x 25 DIN 835-8.8 A3C      |             | 0,012 | 4  | 11 | 1  |      | 3,2305     |
| 32   | 03908201 | HOUSING             | 1    | part was replaced by 03908202 |             | 0,000 | 0  | 11 | 7  |      |            |
| 33   | 04125000 | SEALING RING        | 1    | 26 x 35 x3                    |             | 0,002 | 1  | 11 | 1  |      | 3,8675     |
| 34   | _noorder | No single order     | -    |                               |             |       |    |    |    |      |            |
| 36   | 50302000 | TAPPET              | 4    |                               |             | 0,062 | 1  | 13 | 1  |      | 121,212    |
| 37   | 04038200 | PROTECTION CAP      | 2    |                               |             | 0,010 | 1  | 11 | 1  |      | 18,0635    |
| 38   | 04039100 | PROTECTION CAP      | 4    |                               |             | 0,002 | 1  | 11 | 1  |      | 4,823      |
| 39   | 50302800 | OIL FILTER          | 1    |                               |             | 0,277 | 4  | 11 | 1  | W4   | 32,5325    |
| 40   | 50336200 | O-RING 10,78X2,62   | 1    | 10,78 x 2,62                  |             | 0,001 | 4  | 11 | 1  | D1   | 7,3255     |
| 41   | 50303610 | SHAFT               | 1    | "H"                           |             | 0,068 | 1  | 11 | 1  |      | 165,62     |
| 42   | _noorder | No single order     | -    |                               |             |       |    |    |    |      |            |
| 43   | 50195800 | SHIM 10X16X1,0      | 1    | 10 x 16 x 0,5 DIN 988         |             | 0,001 | 4  | 11 | 1  |      | 1,4105     |
| 44   | 50336110 | BEARING BUSH        | 1    | "H"                           |             | 0,014 | 4  | 11 | 1  |      | 23,114     |
| 45   | 50290500 | CYL.PIN 6 M6X14     | 2    | 6 m 6 x 14 DIN 7-9 S20K       |             | 0,003 | 4  | 11 | 1  |      | 1,729      |
| 46   | 01239901 | GEARWHEEL           | 1    |                               |             | 0,150 | 1  | 11 | 1  |      | 313,9045   |
| 47   | 05034900 | SIEVE OIL REL.VALVE | 1    |                               |             | 0,001 | 1  | 11 | 1  |      | 9,10       |
| 48   | 04131000 | BUSH                | 1    |                               |             | 0,002 | 1  | 11 | 1  |      | 16,6985    |
| A    | 50223001 | LOCTITE ACTIVATOR N | 1    | 500 ML DIN 7649               |             | 0,580 | 4  | 12 | 0  |      | 270,7705   |
| D    | 50223300 | LOCTITE 221         | 1    | 50 ML                         |             | 0,077 | 4  | 12 | 0  |      | 99,0535    |
| E    | 50223400 | LOCTITE 648         | 1    | 10 ML                         |             | 0,021 | 4  | 12 | 0  |      | 38,6295    |
| H    | 50282501 | SILICON SEALER      | 1    | 30ML 1207                     |             | 0,055 | 4  | 12 | 1  |      | 48,23      |
|      |          |                     |      |                               |             |       |    |    |    |      |            |
|      |          |                     |      |                               |             |       |    |    |    |      |            |
|      |          |                     |      |                               |             |       |    |    |    |      |            |
|      |          |                     |      |                               |             |       |    |    |    |      |            |
|      |          |                     |      |                               |             |       |    |    |    |      |            |
|      |          |                     |      |                               |             |       |    |    |    |      |            |
|      |          |                     |      |                               |             |       |    |    |    |      |            |
|      |          |                     |      |                               |             |       |    |    |    |      |            |
|      |          |                     |      |                               |             |       |    |    |    |      |            |
|      |          |                     |      |                               |             |       |    |    |    |      |            |
|      |          |                     |      |                               |             |       |    |    |    |      |            |



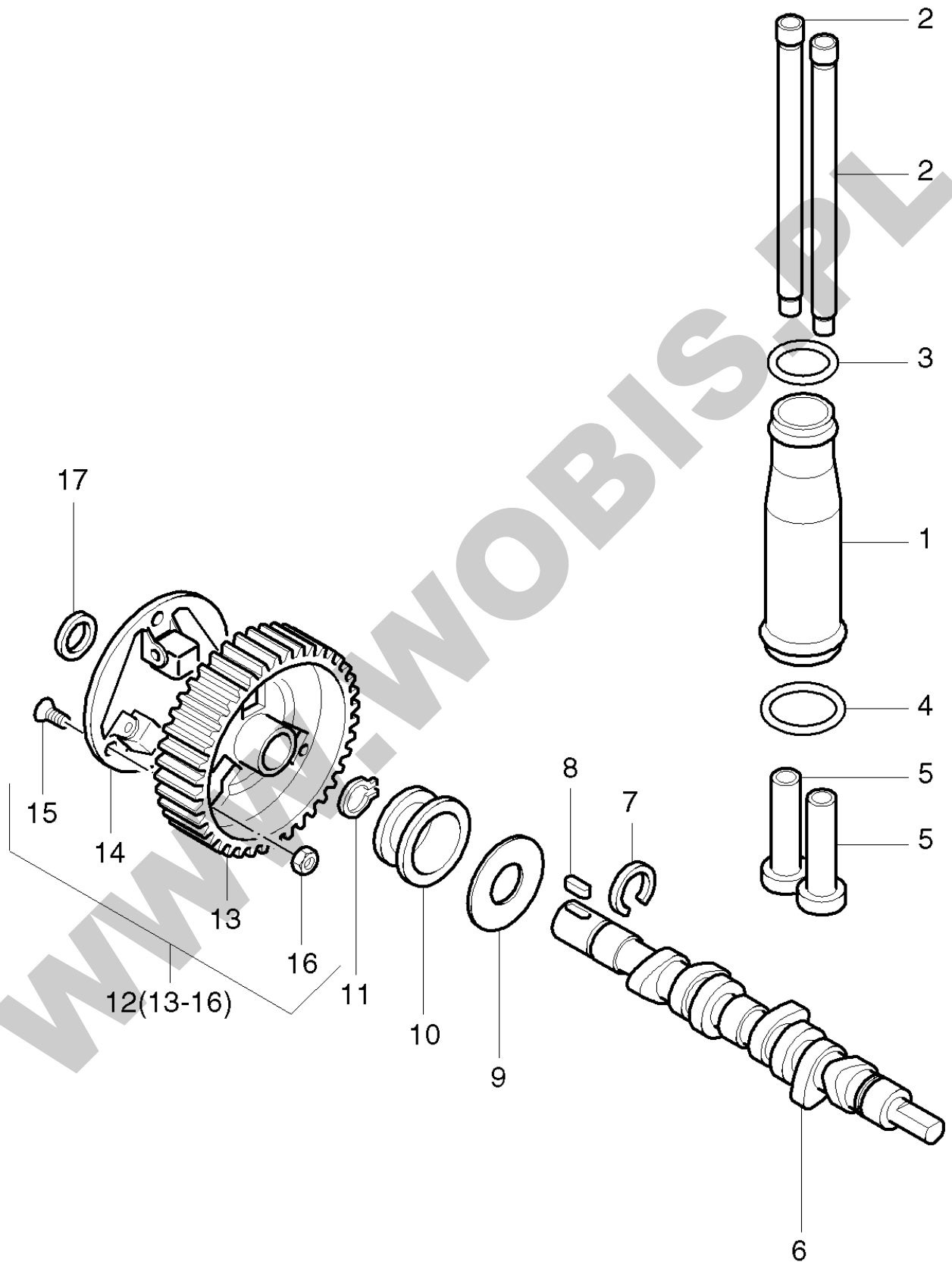


**ORYGINALNE CZĘŚCI ZAMIENNE SERWIS GWARANCYJNY I POGWARANCYJNY WYMIARY  
SERWISOWE ORAZ KATALOGI CZĘŚCI ZAMIENNYCH NA STRONIE WWW.WOBIS.PL/SERWIS**

| Pos. | Part no. | Description         | Qty.   | Notice                                   | Add. notice | kg     | EA | TA | DA | dDPW | List price |
|------|----------|---------------------|--------|--|-------------|--------|----|----|----|------|------------|
| 1    | 01262200 | CONROD              | 2      | part was replaced by 01262210            |             | 0,000  | 0  | 11 | 7  |      |            |
| 2    | _noorder | No single order     | -      |  |             |        |    |    |    |      |            |
| 3    | 03785300 | BUSH FOR CONROD     | 2      |  |             | 0,022  | 4  | 12 | 1  |      | 86,45      |
| 4    | 03781100 | CONROD SCREW        | 4      |  |             | 0,021  | 9  | 11 | 0  |      | 17,5175    |
| 5    | 03781300 | BIG END BEARING     | 2      |  |             | 0,027  | 4  | 11 | 1  |      | 35,49      |
| 6    | 03785600 | BIG END BEAR.0,5 -  | 2      | -0,5mm                                   |             | 0,035  | 4  | 14 | 1  |      | 65,8385    |
| 7    | 01300500 | PISTON 88 COMPR.    | 2      | 88<br>IMT 96557                          |             | 0,805  | 4  | 31 | 0  |      | 605,605    |
| 8    | 01300600 | PISTON 88 + 0,5     | 2      | 88 +0,5<br>part was replaced by 01300700 |             | 0,000  | 0  | 14 | 0  |      |            |
| 8    | 01300700 | PISTON 88 + 1,0     | 2      | 88 +1,0                                  |             | 0,820  | 4  | 14 | 0  |      | 664,7095   |
| 9    | _noorder | No single order     | -      |  |             |        |    |    |    |      |            |
| 10   | 50314500 | GUDGEON PIN 26X64   | 2      | 26 x 14 x 64 DIN 73126-B2                |             | 0,190  | 4  | 13 | 0  |      | 104,65     |
| 11   | 50314600 | CIRCLIP J 26X1,2    | 4      | J 26 x 1,2 DIN 472                       |             | 0,002  | 4  | 13 | 0  |      | 3,6855     |
| 12   | 01223700 | PISTON RING SET 88  | 2      | 88                                       |             | 0,045  | 4  | 13 | 0  |      | 150,9235   |
| 13   | 01235600 | PISTON R.SET 88+0,5 | 2      | 88 +0,5                                  |             | 0,045  | 4  | 14 | 0  |      | 150,9235   |
| 13   | 01227200 | PISTON RING SET 89  | 2      | 88 +1,0                                  |             | 0,045  | 4  | 14 | 0  |      | 150,9235   |
| 14   | _noorder | No single order     | -      |  |             |        |    |    |    |      |            |
| 15   | 01301900 | CYL.WITH PIST.COMPR | 2      | IMT 96557                                |             | 3,800  | 1  | 32 | 0  |      | 1123,0765  |
| 16   | 03958000 | SHIM                | 2      | 0,3mm                                    |             | 0,006  | 1  | 11 | 1  |      | 11,6025    |
| 17   | 01262701 | CRANKSHAFT          | 1      |  |             | 11,150 | 1  | 12 | 1  |      | 3343,2945  |
| 18   | 50011200 | FITTINGKEY A 6X6X25 | 2      | A 6 x 6 x 25 DIN 6885                    |             | 0,005  | 4  | 11 | 0  |      | 3,003      |
| 19   | 50304300 | FITTINGKEY 6X6X10   | 1      | A 6 x 6 x 10                             |             | 0,003  | 4  | 13 | 1  |      | 8,6905     |
| 20   | _noorder | No single order     | -      |  |             |        |    |    |    |      |            |
| 21   | 50304100 | COVER               | 4      | Ø 7 mm                                   |             | 0,001  | 1  | 13 | 1  |      | 6,097      |
| 22   | 50304400 | GEARWH.F.CRANKSHAFT | 1      |  |             | 0,220  | 1  | 13 | 1  |      | 327,9185   |
| 23   | 50304500 | OIL SEAL 38X 52X 8  | 1      | 38 x 52 x 8                              |             | 0,016  | 4  | 13 | 1  | D1   | 28,028     |
| 24   | 50304700 | WASHER 21X60X1,5    | 1      | 21 x 60 x 1,5                            |             | 0,050  | 1  | 21 | 4  |      | 17,29      |
| 25   | 50304800 | SCREW               | 1      | M18 x 1,5                                |             | 0,430  | 4  | 21 | 4  |      | 162,071    |
| 26   | 03781000 | STUD                | 8      |  |             | 0,189  | 1  | 11 | 1  |      | 64,4735    |
| 27   | 50347500 | SHIM 38X58X0,2      | 0... 1 | 38 x 58 x 0,2                            |             | 0,002  | 4  | 12 | 0  |      | 5,4145     |

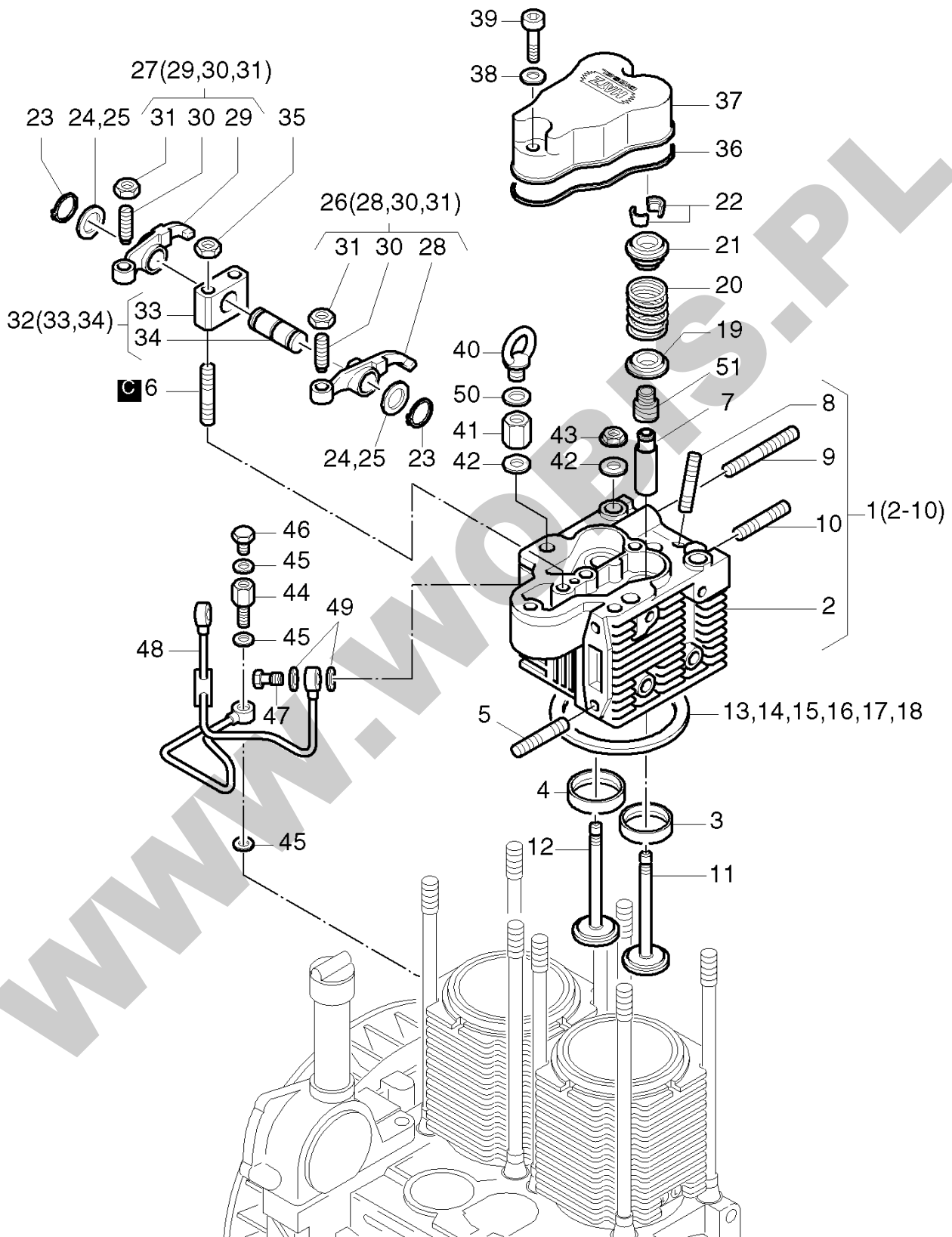
**ORYGINALNE CZĘŚCI ZAMIENNE SERWIS GWARANCYJNY I POGWARANCYJNY WYMIARY  
SERWISOWE ORAZ KATALOGI CZĘŚCI ZAMIENNYCH NA STRONIE WWW.WOBIS.PL/SERWIS**

| Pos. | Part no. | Description         | Qty.   | Notice                                     | Add. notice | kg    | EA | TA | DA | dDPW | List price |
|------|----------|---------------------|--------|--|-------------|-------|----|----|----|------|------------|
| 28   | 50347600 | SHIM 38X58X0,3      | 0... 1 | 38 x 58 x 0,3                              |             | 0,004 | 4  | 12 | 0  |      | 5,4145     |
| C    | 50223200 | LOCTITE 601         | 1      | 50 ML                                      |             | 0,079 | 4  | 12 | 0  |      | 99,0535    |
| K    | 50342600 | GREASE START.DEVICE | 1      | 100 GRAMM<br>part was replaced by 50342601 |             | 0,100 | 0  | 12 | 0  |      |            |
|      |          |                     |        |  |             |       |    |    |    |      |            |
|      |          |                     |        |  |             |       |    |    |    |      |            |
|      |          |                     |        |  |             |       |    |    |    |      |            |
|      |          |                     |        |  |             |       |    |    |    |      |            |
|      |          |                     |        |  |             |       |    |    |    |      |            |
|      |          |                     |        |  |             |       |    |    |    |      |            |
|      |          |                     |        |  |             |       |    |    |    |      |            |
|      |          |                     |        |  |             |       |    |    |    |      |            |
|      |          |                     |        |  |             |       |    |    |    |      |            |
|      |          |                     |        |  |             |       |    |    |    |      |            |
|      |          |                     |        |  |             |       |    |    |    |      |            |
|      |          |                     |        |  |             |       |    |    |    |      |            |
|      |          |                     |        |  |             |       |    |    |    |      |            |
|      |          |                     |        |  |             |       |    |    |    |      |            |
|      |          |                     |        |  |             |       |    |    |    |      |            |
|      |          |                     |        |  |             |       |    |    |    |      |            |
|      |          |                     |        |  |             |       |    |    |    |      |            |
|      |          |                     |        |  |             |       |    |    |    |      |            |
|      |          |                     |        |  |             |       |    |    |    |      |            |
|      |          |                     |        |  |             |       |    |    |    |      |            |
|      |          |                     |        |  |             |       |    |    |    |      |            |
|      |          |                     |        |  |             |       |    |    |    |      |            |
|      |          |                     |        |  |             |       |    |    |    |      |            |
|      |          |                     |        |  |             |       |    |    |    |      |            |
|      |          |                     |        |  |             |       |    |    |    |      |            |
|      |          |                     |        |  |             |       |    |    |    |      |            |
|      |          |                     |        |  |             |       |    |    |    |      |            |
|      |          |                     |        |  |             |       |    |    |    |      |            |
|      |          |                     |        |  |             |       |    |    |    |      |            |
|      |          |                     |        |  |             |       |    |    |    |      |            |
|      |          |                     |        |  |             |       |    |    |    |      |            |
|      |          |                     |        |  |             |       |    |    |    |      |            |



**ORYGINALNE CZĘŚCI ZAMIENNE SERWIS GWARANCYJNY I POGWARANCYJNY WYMIARY  
SERWISOWE ORAZ KATALOGI CZĘŚCI ZAMIENNYCH NA STRONIE WWW.WOBIS.PL/SERWIS**

| Pos. | Part no. | Description         | Qty.   | Notice                        | Add. notice | kg    | EA | TA | DA | dDPW | List price |
|------|----------|---------------------|--------|-------------------------------|-------------|-------|----|----|----|------|------------|
| 1    | 03781800 | PROTECTION TUBE     | 2      |                               |             | 0,136 | 1  | 11 | 1  |      | 68,159     |
| 2    | 01224001 | PUSHROD             | 4      |                               |             | 0,066 | 1  | 11 | 1  |      | 151,242    |
| 3    | 50208400 | O-RING 32X 3        | 2      | 32 x 3                        |             | 0,001 | 4  | 11 | 1  | d1   | 9,919      |
| 4    | 50290100 | O-RING 38 X 3       | 2      | 38 x 3                        |             | 0,001 | 4  | 11 | 1  | d1   | 5,4145     |
| 5    | 50302000 | TAPPET              | 4      |                               |             | 0,062 | 1  | 13 | 1  |      | 121,212    |
| 6    | 04092800 | CAMSHAFT            | 1      |                               |             | 0,900 | 1  | 11 | 0  |      | 990,3075   |
| 7    | 50305000 | SNAP RING 17        | 1      | 17                            |             | 0,001 | 4  | 13 | 1  |      | 5,551      |
| 8    | 50010500 | FITTINGKEY A 4X4X12 | 1      | A4 x 4 x 12 DIN 6885          |             | 0,002 | 4  | 11 | 1  |      | 2,6845     |
| 9    | 50306001 | WASHER 18X44X0,5    | 1      | 18 x 44 x 0,5 777-78          |             | 0,005 | 1  | 13 | 1  |      | 11,102     |
| 10   | 50305700 | GOVERNOR SLEEVE     | 1      |                               |             | 0,074 | 1  | 13 | 1  |      | 319,3645   |
| 11   | 50020000 | CIRCLIP A 18X1,2    | 1      | A18 x 1,2 DIN 471             |             | 0,001 | 4  | 11 | 1  |      | 1,5015     |
| 12   | 01222100 | GEARWHEEL W.GOV.W.  | 1      | part was replaced by 01222101 |             | 0,940 | 0  | 11 | 7  |      |            |
| 13   | _noorder | No single order     | -      |                               |             |       |    |    |    |      |            |
| 14   | 01244800 | SUPPORT.PLATE CPL.  | 1      | part was replaced by 01244801 |             | 0,170 | 0  | 12 | 7  |      |            |
| 15   | 50305300 | SCREW M 5X16        | 3      | M5 x 14                       |             | 0,003 | 4  | 13 | 1  |      | 4,095      |
| 16   | 50305400 | HEXAGON NUT M 5     | 3      | M5                            |             | 0,001 | 4  | 13 | 1  |      | 1,8655     |
| 17   | 03233200 | SHIM 0,2            | 0... 1 | 19 / 0,20 mm                  |             | 0,001 | 1  | 11 | 1  |      | 6,097      |
| 17   | 03233300 | SHIM 0,3            | 0... 1 | 19 / 0,30 mm                  |             | 0,001 | 1  | 11 | 1  |      | 6,097      |
|      |          |                     |        |                               |             |       |    |    |    |      |            |
|      |          |                     |        |                               |             |       |    |    |    |      |            |
|      |          |                     |        |                               |             |       |    |    |    |      |            |
|      |          |                     |        |                               |             |       |    |    |    |      |            |
|      |          |                     |        |                               |             |       |    |    |    |      |            |
|      |          |                     |        |                               |             |       |    |    |    |      |            |
|      |          |                     |        |                               |             |       |    |    |    |      |            |
|      |          |                     |        |                               |             |       |    |    |    |      |            |
|      |          |                     |        |                               |             |       |    |    |    |      |            |
|      |          |                     |        |                               |             |       |    |    |    |      |            |
|      |          |                     |        |                               |             |       |    |    |    |      |            |
|      |          |                     |        |                               |             |       |    |    |    |      |            |
|      |          |                     |        |                               |             |       |    |    |    |      |            |
|      |          |                     |        |                               |             |       |    |    |    |      |            |
|      |          |                     |        |                               |             |       |    |    |    |      |            |
|      |          |                     |        |                               |             |       |    |    |    |      |            |



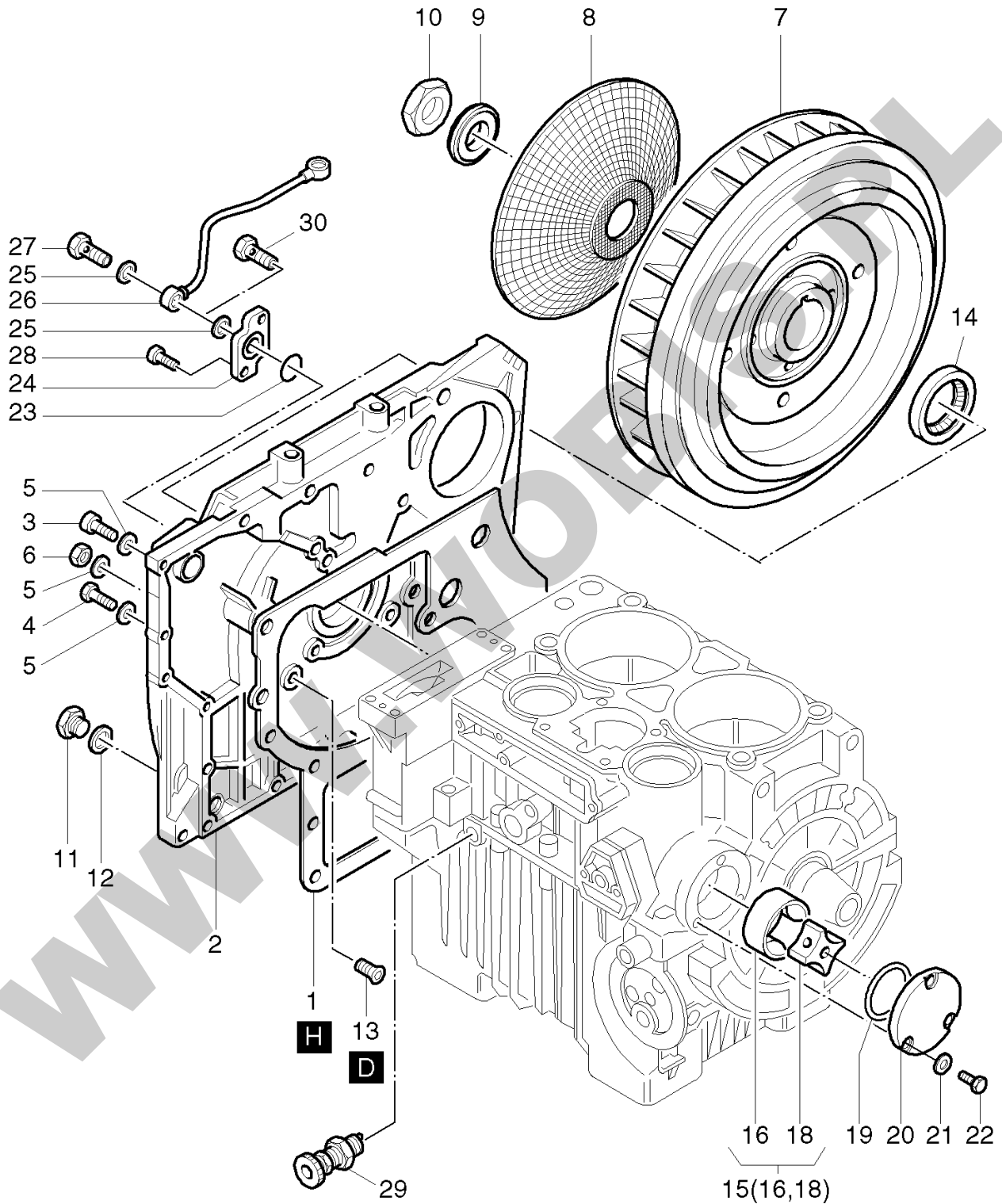
**ORYGINALNE CZĘŚCI ZAMIENNE SERWIS GWARANCYJNY I POGWARANCYJNY WYMIARY  
SERWISOWE ORAZ KATALOGI CZĘŚCI ZAMIENNYCH NA STRONIE WWW.WOBIS.PL/SERWIS**

| Pos. | Part no. | Description         | Qty.   | Notice                        | Add. notice | kg    | EA | TA | DA | dDPW | List price |
|------|----------|---------------------|--------|-------------------------------|-------------|-------|----|----|----|------|------------|
| 1    | 01227800 | CYLINDER HEAD       | 2      |                               |             | 2,060 | 1  | 12 | 0  |      | 1410,8185  |
| 2    | _noorder | No single order     | -      |                               |             |       |    |    |    |      |            |
| 3    | _noorder | No single order     | -      |                               |             |       |    |    |    |      |            |
| 4    | _noorder | No single order     | -      |                               |             |       |    |    |    |      |            |
| 5    | 50231900 | STUD M 8X 25        | 4      | M 8 x 25 DIN 835-8.8 A3C      |             | 0,012 | 4  | 11 | 1  |      | 3,2305     |
| 6    | 50279200 | STUD M 8X 40        | 4      | M 8 x 40 DIN 835-8.8 A3C      |             | 0,019 | 4  | 11 | 1  |      | 3,8675     |
| 7    | 03785201 | VALVE GUIDE         | 4      |                               |             | 0,032 | 4  | 12 | 1  |      | 42,8155    |
| 8    | 50038400 | STUD M 8X 35        | 2      | M 8 x 35 DIN 835-8.8 A3C      |             | 0,017 | 4  | 11 | 1  |      | 5,0505     |
| 9    | 50065100 | STUD M 8X85         | 2      | M 8 x 85 DIN 835-8.8 A3C      |             | 0,035 | 4  | 11 | 1  |      | 5,915      |
| 10   | 50128100 | STUD M8X30          | 2      | M 8 x 30 DIN 835 - 10.9 A3C   |             | 0,013 | 4  | 11 | 1  |      | 3,2305     |
| 11   | 03783300 | VALVE EXHAUST       | 2      | part was replaced by 03783301 |             | 0,000 | 0  | 11 | 7  |      |            |
| 12   | 03783200 | VALVE INLET         | 2      |                               |             | 0,080 | 4  | 11 | 0  |      | 51,9155    |
| 13   | 03793500 | GASK.F.CYL.HEAD 0,6 | 0... 2 | 0,60 mm                       |             | 0,015 | 9  | 11 | 0  | d1   | 16,0615    |
| 13   | 03781900 | GASK.F.CYL.HEAD 0,7 | 0... 2 | 0,70 mm                       |             | 0,018 | 9  | 11 | 0  | d1   | 15,288     |
| 14   | 03782000 | GASK.F.CYL.HEAD 0,8 | 0... 2 | 0,80 mm                       |             | 0,020 | 9  | 11 | 0  |      | 18,0635    |
| 15   | 03782100 | GASK.F.CYL.HEAD 0,9 | 0... 2 | 0,90 mm                       |             | 0,023 | 9  | 11 | 0  |      | 20,202     |
| 16   | 03782200 | GASK.F.CYL.HEAD 1,0 | 0... 2 | 1,00 mm                       |             | 0,025 | 9  | 11 | 0  |      | 21,7945    |
| 17   | 03782300 | GASK.F.CYL.HEAD 1,1 | 0... 2 | 1,10 mm                       |             | 0,028 | 9  | 11 | 0  |      | 23,387     |
| 18   | 03782400 | GASK.F.CYL.HEAD 1,2 | 0... 2 | 1,20 mm                       |             | 0,031 | 9  | 11 | 0  |      | 26,1625    |
| 19   | 03783401 | WASHER              | 4      |                               |             | 0,012 | 1  | 11 | 1  |      | 34,216     |
| 20   | 03783500 | VALVE SPRING        | 4      |                               |             | 0,032 | 1  | 11 | 1  |      | 17,017     |
| 21   | 03783600 | CUP                 | 4      |                               |             | 0,013 | 1  | 11 | 1  |      | 33,2605    |
| 22   | 03786300 | COLLET              | 4      |                               |             | 0,003 | 1  | 11 | 1  |      | 11,2385    |
| 23   | 50019800 | CIRCLIP 15X1        | 4      | A15 x 1 DIN 471               |             | 0,001 | 4  | 11 | 1  |      | 1,5015     |
| 24   | 50315900 | SHIM 0,2            | 0... 4 | 15 x 21 x 0,2 DIN 988         |             | 0,001 | 4  | 11 | 1  |      | 1,4105     |
| 25   | 50316000 | SHIM 0,3            | 0... 4 | 15 x 21 x 0,3 DIN 988         |             | 0,001 | 4  | 11 | 1  |      | 1,4105     |
| 26   | 01224500 | ROCKER EXHAUST      | 2      |                               |             | 0,093 | 1  | 11 | 1  |      | 188,916    |
| 27   | 01224400 | ROCKER INLET        | 2      |                               |             | 0,091 | 1  | 11 | 1  |      | 188,916    |
| 28   | _noorder | No single order     | -      |                               |             |       |    |    |    |      |            |
| 29   | _noorder | No single order     | -      |                               |             |       |    |    |    |      |            |

**ORYGINALNE CZĘŚCI ZAMIENNE SERWIS GWARANCYJNY I POGWARANCYJNY WYMIARY  
SERWISOWE ORAZ KATALOGI CZĘŚCI ZAMIENNYCH NA STRONIE WWW.WOBIS.PL/SERWIS**

| Pos. | Part no. | Description         | Qty.   | Notice                      | Add. notice | kg    | EA | TA | DA | dDPW  | List price |
|------|----------|---------------------|--------|-----------------------------|-------------|-------|----|----|----|-------|------------|
| 30   | 03783000 | ADJUSTING SCREW     | 4      |                             |             | 0,008 | 1  | 11 | 1  |       | 18,928     |
| 31   | 03173100 | HEXAGON NUT         | 4      |                             |             | 0,004 | 1  | 11 | 1  | W2    | 5,1415     |
| 32   | 01224600 | ROCKER BRACKET      | 2      |                             |             | 0,149 | 1  | 11 | 1  |       | 207,7985   |
| 33   | _noorder | No single order     | -      |                             |             |       |    |    |    |       |            |
| 34   | _noorder | No single order     | -      |                             |             |       |    |    |    |       |            |
| 35   | 40028400 | HEX.NUT M 8         | 4      | VM 8 DIN 980-8 C3A          |             | 0,008 | 4  | 11 | 1  | P2    | 2,2295     |
| 36   | 50290200 | O-RING 116X121X3,1  | 2      | 116 x 121 x 3,1             |             | 0,005 | 4  | 11 | 1  | W4,d1 | 19,2465    |
| 37   | 03783800 | COVER CYL.HEAD      | 2      |                             |             | 0,230 | 1  | 11 | 1  |       | 101,192    |
| 38   | 50162900 | JOINT A 8 X14       | 4      | A 8 x 14 DIN 7603 - Cu      |             | 0,005 | 4  | 11 | 1  | W8,d2 | 1,4105     |
| 39   | 50177500 | ALL.SCR.M 8X 40     | 4      | M 8 x 40 DIN 912-8.8 A3C    |             | 0,021 | 4  | 11 | 1  |       | 3,1395     |
| 40   | 50315500 | RINGSCREW M 10      | 1      | M10 DIN 580 A3C             |             | 0,108 | 4  | 11 | 1  |       | 16,016     |
| 41   | 03784501 | COLLAR NUT M 10     | 5      | M 10                        |             | 0,048 | 1  | 11 | 1  | P2    | 25,3435    |
| 42   | 03791400 | WASHER 10,1X22X2,1  | 8      |                             |             | 0,004 | 1  | 11 | 1  | P4    | 6,4155     |
| 43   | 03171800 | COLLAR NUT          | 3      | M 10                        |             | 0,014 | 1  | 11 | 1  | P2    | 11,648     |
| 44   | 50314001 | CONNECTING PIECE    | 1      | M8 x 1                      |             | 0,020 | 9  | 11 | 0  |       | 61,516     |
| 45   | 50000900 | JOINT A8X11,5       | 4      | A 8 x 11,5 DIN 7603-Cu      |             | 0,001 | 4  | 11 | 1  | D5,d2 | 0,455      |
| 46   | 50033300 | HEXSCREW M 8X1X12   | 1      | M8 x 1 x 12 DIN 961-8.8 A3C |             | 0,010 | 4  | 11 | 1  |       | 2,3205     |
| 47   | 50006100 | BANJO BOLT 4-5-3    | 2      | 4-5-3 DIN 7643              |             | 0,007 | 4  | 11 | 1  | P1    | 6,3245     |
| 48   | 01224900 | OIL PIPE            | 1      |                             |             | 0,075 | 1  | 11 | 1  |       | 204,295    |
| 49   | 50000900 | JOINT A8X11,5       | 4      | A 8 x 11,5 DIN 7603-Cu      |             | 0,001 | 4  | 11 | 1  | D5,d2 | 0,455      |
| 50   | 03787300 | SHIM 0,2            | 0... 2 | 10,5 x 21 x 0,2             |             | 0,001 | 1  | 11 | 1  |       | 4,823      |
| 51   | 50405200 | VALVE STEM SEAL CAP | 4      |                             |             | 0,002 | 4  | 11 | 1  |       | 8,099      |
| C    | 50223200 | LOCTITE 601         | 1      | 50 ML                       |             | 0,079 | 4  | 12 | 0  |       | 99,0535    |
|      |          |                     |        |                             |             |       |    |    |    |       |            |
|      |          |                     |        |                             |             |       |    |    |    |       |            |
|      |          |                     |        |                             |             |       |    |    |    |       |            |
|      |          |                     |        |                             |             |       |    |    |    |       |            |
|      |          |                     |        |                             |             |       |    |    |    |       |            |
|      |          |                     |        |                             |             |       |    |    |    |       |            |
|      |          |                     |        |                             |             |       |    |    |    |       |            |
|      |          |                     |        |                             |             |       |    |    |    |       |            |

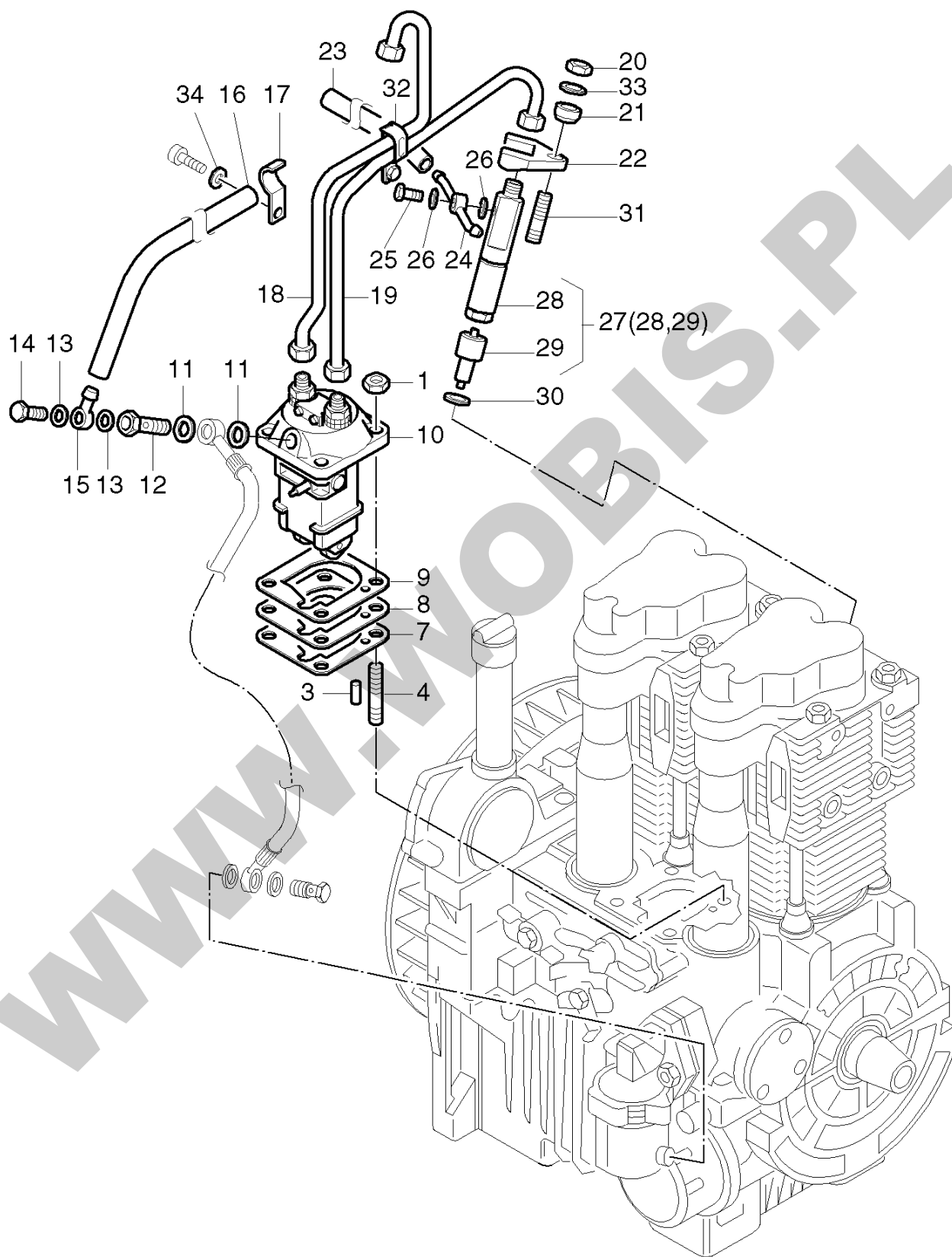




**ORYGINALNE CZĘŚCI ZAMIENNE SERWIS GWARANCYJNY I POGWARANCYJNY WYMIARY  
SERWISOWE ORAZ KATALOGI CZĘŚCI ZAMIENNYCH NA STRONIE WWW.WOBIS.PL/SERWIS**

| Pos. | Part no. | Description         | Qty.   | Notice                        | Add. notice | kg    | EA | TA | DA | dDPW  | List price |
|------|----------|---------------------|--------|-------------------------------|-------------|-------|----|----|----|-------|------------|
| 1    | 50311500 | GASKET              | 0... 2 | 0,2mm                         |             | 0,006 | 1  | 13 | 1  | D2    |            |
| 2    | 50310810 | TIMING COVER        | 1      | part was replaced by 01788900 |             | 0,000 | 0  | 13 | 1  |       |            |
| 3    | 50026400 | HEXSCREW M 6X 35    | 1      | M 6 x 35 DIN 933-8.8 A3C      |             | 0,009 | 4  | 11 | 1  |       | 1,0465     |
| 4    | 50092100 | HEXSCREW M 6X 25    | 18     | M 6 x 25 DIN 933-8.8 A3C      |             | 0,007 | 4  | 11 | 1  |       | 1,729      |
| 5    | 50144500 | FLAT WASHER 6,4     | 18     | 6,4 DIN 125-St A3C            |             | 0,001 | 4  | 11 | 1  |       | 0,455      |
| 6    | 50144400 | HEXAGON NUT M 6     | 3      | M 6 DIN 934 - 8 A3C           |             | 0,002 | 4  | 11 | 1  |       | 1,2285     |
| 7    | 03792100 | FLYWHEEL            | 1      |                               |             | 9,150 | 1  | 11 | 1  |       |            |
| 8    | 50313400 | PROTECTION SCREEN   | 1      |                               |             | 0,050 | 1  | 21 | 2  |       | 75,712     |
| 9    | 03975300 | WASHER              | 1      |                               |             | 0,055 | 1  | 11 | 1  |       | 27,4365    |
| 10   | 04031300 | NUT F.FLYWHEEL      | 1      |                               |             | 0,045 | 1  | 11 | 1  |       | 16,2435    |
| 11   | 50311000 | DRAIN PLUG M 14X1,5 | 1      | M14 x 1,5                     |             | 0,008 | 4  | 13 | 1  | W1    | 10,8745    |
| 12   | 50001200 | JOINT A14 X18       | 1      | A 14 x 18 DIN 7603-Cu         |             | 0,001 | 4  | 11 | 1  | W4,D1 | 1,001      |
| 13   | 50310900 | SCREW M 6X 20       | 3      | DIN 997-12 10K                |             | 0,004 | 4  | 13 | 1  |       | 10,283     |
| 14   | 50311200 | OIL SEAL 38X 52X 8  | 1      | 38 x 52 x 8 BLAU              |             | 0,015 | 4  | 13 | 1  | D1    | 36,9915    |
| 15   | 01227910 | OIL PUMP            | 1      |                               |             | 0,112 | 1  | 13 | 1  |       | 174,174    |
| 16   | _noorder | No single order     | -      |                               |             |       |    |    |    |       |            |
| 18   | _noorder | No single order     | -      |                               |             |       |    |    |    |       |            |
| 19   | 50310500 | O-RING 41X 1,78     | 1      | 41 x 1,78                     |             | 0,001 | 4  | 13 | 1  | D1    | 14,2415    |
| 20   | 50310410 | COVER OIL PUMP      | 1      |                               |             | 0,060 | 1  | 13 | 1  |       | 115,9795   |
| 21   | 50216300 | WASHER 5,3          | 3      | 5,3 DIN 125-St A3C            |             | 0,001 | 4  | 11 | 1  |       | 0,455      |
| 22   | 50025200 | HEXSCREW M 5X 16    | 3      | M5 x 16 DIN 933-8.8 A3C       |             | 0,003 | 4  | 11 | 1  |       | 1,4105     |
| 23   | 50336500 | O-RING 15,88X2,62   | 1      | 15,88 x 2,62                  |             | 0,001 | 4  | 13 | 1  |       | 11,648     |
| 24   | 50336400 | COVER               | 1      |                               |             | 0,015 | 1  | 13 | 1  |       | 53,2805    |
| 25   | 50000900 | JOINT A8X11,5       | 2      | A 8 x 11,5 DIN 7603-Cu        |             | 0,001 | 4  | 11 | 1  | D5,d2 | 0,455      |
| 26   | 50336300 | OIL PIPE            | 1      | DIN 949-24 "H"                |             | 0,025 | 1  | 11 | 1  |       | 94,549     |
| 27   | 50006100 | BANJO BOLT 4-5-3    | 1      | 4-5-3 DIN 7643                |             | 0,007 | 4  | 11 | 1  | P1    | 6,3245     |
| 28   | 50274500 | ALL.SCR.M 5X12      | 2      | M 5 x 12 DIN 912-8.8 A3C      |             | 0,003 | 4  | 11 | 1  |       | 1,638      |
| 29   | 01231501 | EXTRA FUEL DEVICE   | 1      |                               |             | 0,050 | 1  | 11 | 0  |       | 111,384    |
| 30   | 50033300 | HEXSCREW M 8X1X12   | 1      | M8 x 1 x 12 DIN 961-8.8 A3C   |             | 0,010 | 4  | 11 | 1  |       | 2,3205     |
| D    | 50223300 | LOCTITE 221         | 1      | 50 ML                         |             | 0,077 | 4  | 12 | 0  |       | 99,0535    |



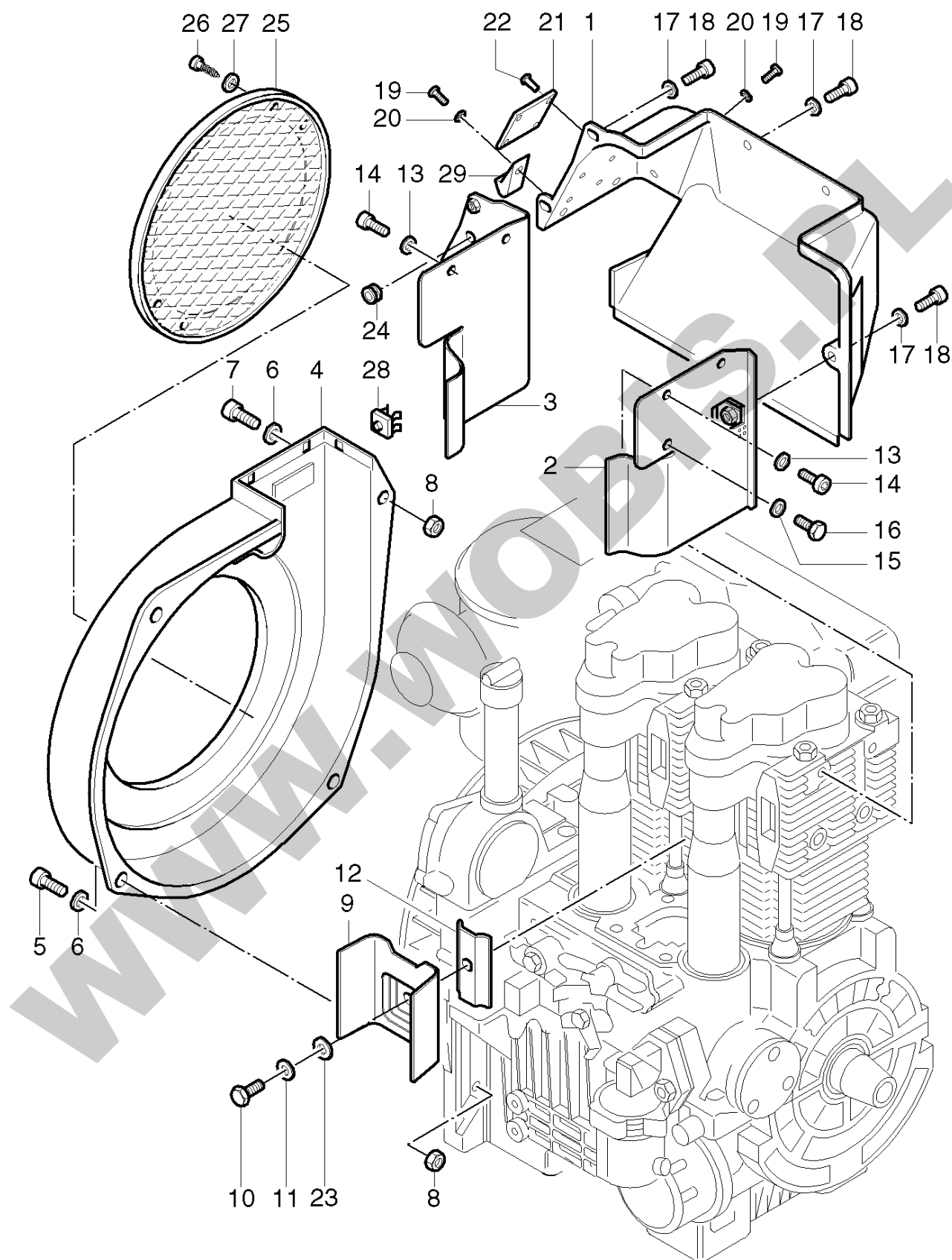


**ORYGINALNE CZĘŚCI ZAMIENNE SERWIS GWARANCYJNY I POGWARANCYJNY WYMIARY  
SERWISOWE ORAZ KATALOGI CZĘŚCI ZAMIENNYCH NA STRONIE WWW.WOBIS.PL/SERWIS**

| Pos. | Part no. | Description         | Qty.   | Notice                                   | Add. notice | kg    | EA | TA | DA | dDPW  | List price |
|------|----------|---------------------|--------|--|-------------|-------|----|----|----|-------|------------|
| 1    | 50148000 | HEXAGON NUT M 8     | 4      | M 8 DIN 934-8 A3C                        |             | 0,005 | 4  | 11 | 1  | P2    | 1,4105     |
| 3    | 50312200 | CYL.PIN 4 H8X12     | 1      | 4 H 8 x 12 DIN 7                         |             | 0,002 | 4  | 13 | 1  |       | 6,8705     |
| 4    | 50098300 | STUD M8X20          | 4      | M 8 x 20 DIN 835-8.8 A3C                 |             | 0,009 | 4  | 11 | 1  |       | 5,3235     |
| 7    | 50312300 | GASKET 0,1          | 0... 2 | 0,10mm                                   |             | 0,001 | 1  | 11 | 1  | D2    | 3,003      |
| 8    | 50312400 | GASKET 0,2          | 0... 1 | 0,20mm                                   |             | 0,001 | 1  | 11 | 1  | D1    | 3,276      |
| 9    | 50312500 | GASKET 0,3          | 0... 2 | 0,30mm<br>part was replaced by 50552200  |             | 0,000 | 0  | 11 | 0  | D2    |            |
| 10   | 50355400 | INJECTION PUMP      | 1      |  |             | 1,500 | 4  | 11 | 0  |       | 1698,7425  |
| 11   | 50001100 | JOINT A12 X15,5     | 2      | A 12 x 15,5 DIN 7603-Cu                  |             | 0,001 | 4  | 11 | 1  | D3    | 0,7735     |
| 12   | 01223200 | CONNECTING PIECE    | 1      |  |             | 0,015 | 0  | 11 | 0  | P1    |            |
| 13   | 50000900 | JOINT A8X11,5       | 2      | A 8 x 11,5 DIN 7603-Cu                   |             | 0,001 | 4  | 11 | 1  | D5,d2 | 0,455      |
| 14   | 50311700 | BANJO BOLT          | 1      | M 8 x 1<br>part was replaced by 50311701 |             | 0,010 | 0  | 11 | 7  |       |            |
| 15   | 50015700 | RING PIECE NW3      | 1      | NW 3                                     |             | 0,007 | 4  | 11 | 1  |       | 9,5095     |
| 16   | 03902000 | FUEL HOSE 3,5X 390  | 1      | 3,5 x 390 mm                             |             | 0,016 | 1  | 11 | 5  |       |            |
| 17   | 03174700 | PIPE CLIP           | 1      |  |             | 0,008 | 1  | 11 | 1  |       | 5,46       |
| 18   | 01240900 | FUEL PRESS.PIPE     | 1      |  |             | 0,109 | 9  | 11 | 0  |       | 98,371     |
| 19   | 01241000 | FUEL PRESS.PIPE     | 1      | IMT 00597                                |             | 0,109 | 9  | 11 | 0  |       | 98,371     |
| 20   | 50148000 | HEXAGON NUT M 8     | 2      | M 8 DIN 934-8 A3C                        |             | 0,005 | 4  | 11 | 1  | P2    | 1,4105     |
| 21   | 04035700 | WASHER              | 2      |  |             | 0,007 | 1  | 11 | 1  | P1    | 6,279      |
| 22   | 03792400 | FLANGE              | 2      | part was replaced by 03792401            |             | 0,000 | 0  | 11 | 0  |       |            |
| 23   | 03780700 | FUEL HOSE 3,5 X 130 | 1      | 3,5 x 130                                |             | 0,006 | 1  | 11 | 0  |       | 6,2335     |
| 24   | 03780800 | HOSE NIPPLE         | 2      |  |             | 0,007 | 1  | 11 | 0  |       | 44,0895    |
| 25   | 50313000 | BANJO BOLT M 6      | 2      | M 6                                      |             | 0,005 | 4  | 11 | 1  |       | 10,556     |
| 26   | 50313100 | JOINT A 6 X10       | 4      | A 6 x 10 DIN 7603-Cu.                    |             | 0,001 | 4  | 11 | 1  | d2    | 0,455      |
| 27   | 50355500 | INJECTOR            | 2      | IMT 00597                                |             | 0,242 | 4  | 11 | 0  |       | 419,146    |
| 28   | _noorder | No single order     | -      |  |             |       |    |    |    |       |            |
| 29   | 50355600 | NOZZLE DLLA159S1141 | 2      | IMT 00597                                |             | 0,059 | 4  | 13 | 1  | P1    | 298,207    |
| 30   | 40085001 | JOINT               | 2      |  |             | 0,002 | 4  | 11 | 0  | d1    | 10,283     |
| 31   | 50038400 | STUD M 8X 35        | 2      | M 8 x 35 DIN 835-8.8 A3C                 |             | 0,017 | 4  | 11 | 1  |       | 5,0505     |
| 32   | 50314100 | PIPE CLIP           | 1      |  |             | 0,029 | 1  | 11 | 1  |       | 17,5175    |

**ORYGINALNE CZĘŚCI ZAMIENNE SERWIS GWARANCYJNY I POGWARANCYJNY WYMIARY  
SERWISOWE ORAZ KATALOGI CZĘŚCI ZAMIENNYCH NA STRONIE WWW.WOBIS.PL/SERWIS**

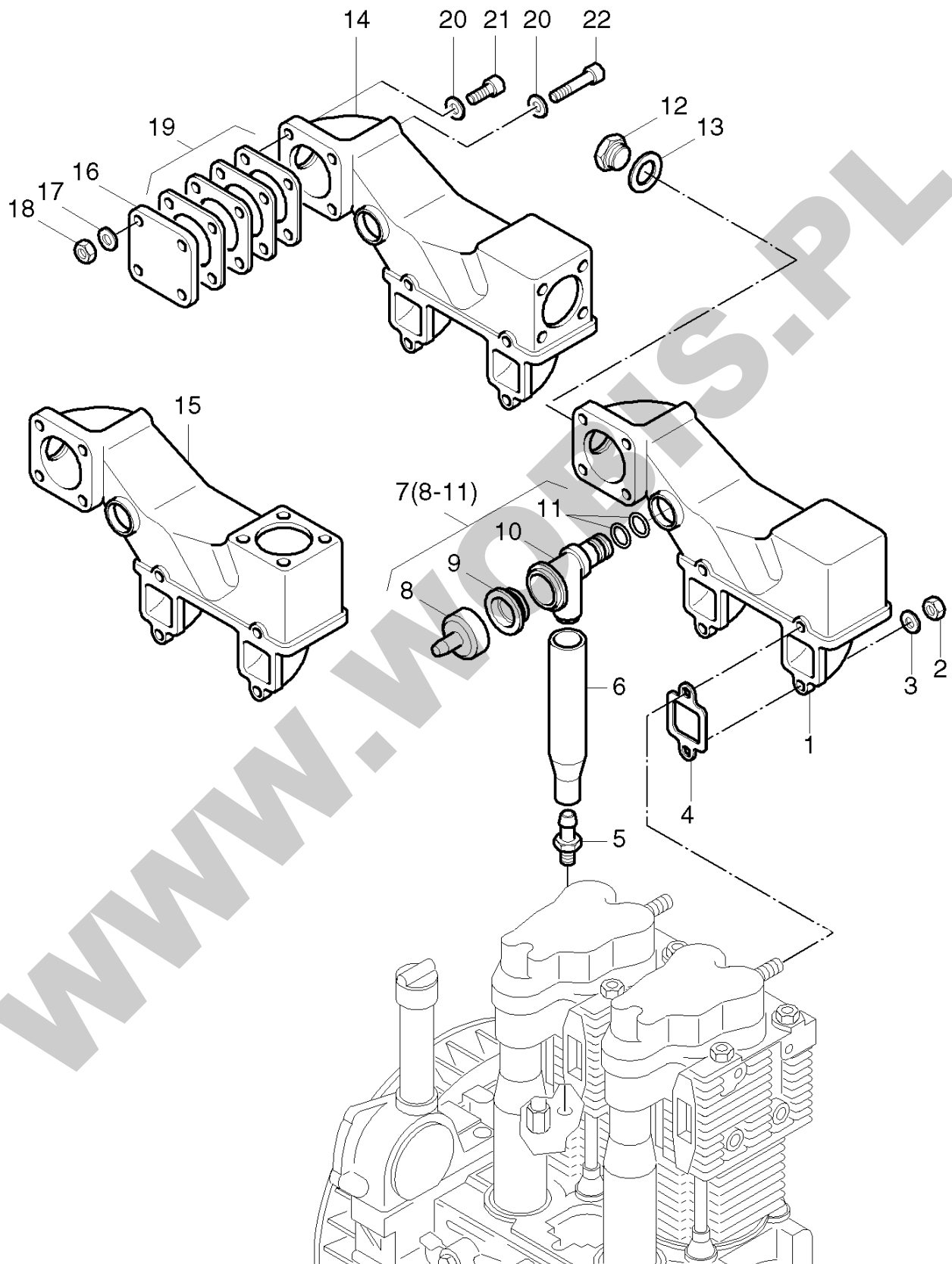
| Pos. | Part no. | Description     | Qty. | Notice             | Add. notice | kg    | EA | TA | DA | dDPW | List price |
|------|----------|-----------------|------|--------------------|-------------|-------|----|----|----|------|------------|
| 33   | 50208500 | SPRING WASHER 8 | 2    | 8 DIN 128 A3C      |             | 0,001 | 4  | 11 | 1  | P2   | 1,4105     |
| 34   | 50144500 | FLAT WASHER 6,4 | 1    | 6,4 DIN 125-St A3C |             | 0,001 | 4  | 11 | 1  |      | 0,455      |
|      |          |                 |      |                    |             |       |    |    |    |      |            |
|      |          |                 |      |                    |             |       |    |    |    |      |            |
|      |          |                 |      |                    |             |       |    |    |    |      |            |
|      |          |                 |      |                    |             |       |    |    |    |      |            |
|      |          |                 |      |                    |             |       |    |    |    |      |            |
|      |          |                 |      |                    |             |       |    |    |    |      |            |
|      |          |                 |      |                    |             |       |    |    |    |      |            |
|      |          |                 |      |                    |             |       |    |    |    |      |            |
|      |          |                 |      |                    |             |       |    |    |    |      |            |
|      |          |                 |      |                    |             |       |    |    |    |      |            |
|      |          |                 |      |                    |             |       |    |    |    |      |            |
|      |          |                 |      |                    |             |       |    |    |    |      |            |
|      |          |                 |      |                    |             |       |    |    |    |      |            |
|      |          |                 |      |                    |             |       |    |    |    |      |            |
|      |          |                 |      |                    |             |       |    |    |    |      |            |
|      |          |                 |      |                    |             |       |    |    |    |      |            |
|      |          |                 |      |                    |             |       |    |    |    |      |            |
|      |          |                 |      |                    |             |       |    |    |    |      |            |
|      |          |                 |      |                    |             |       |    |    |    |      |            |
|      |          |                 |      |                    |             |       |    |    |    |      |            |
|      |          |                 |      |                    |             |       |    |    |    |      |            |
|      |          |                 |      |                    |             |       |    |    |    |      |            |
|      |          |                 |      |                    |             |       |    |    |    |      |            |
|      |          |                 |      |                    |             |       |    |    |    |      |            |
|      |          |                 |      |                    |             |       |    |    |    |      |            |



**ORYGINALNE CZĘŚCI ZAMIENNE SERWIS GWARANCYJNY I POGWARANCYJNY WYMIARY  
SERWISOWE ORAZ KATALOGI CZĘŚCI ZAMIENNYCH NA STRONIE WWW.WOBIS.PL/SERWIS**

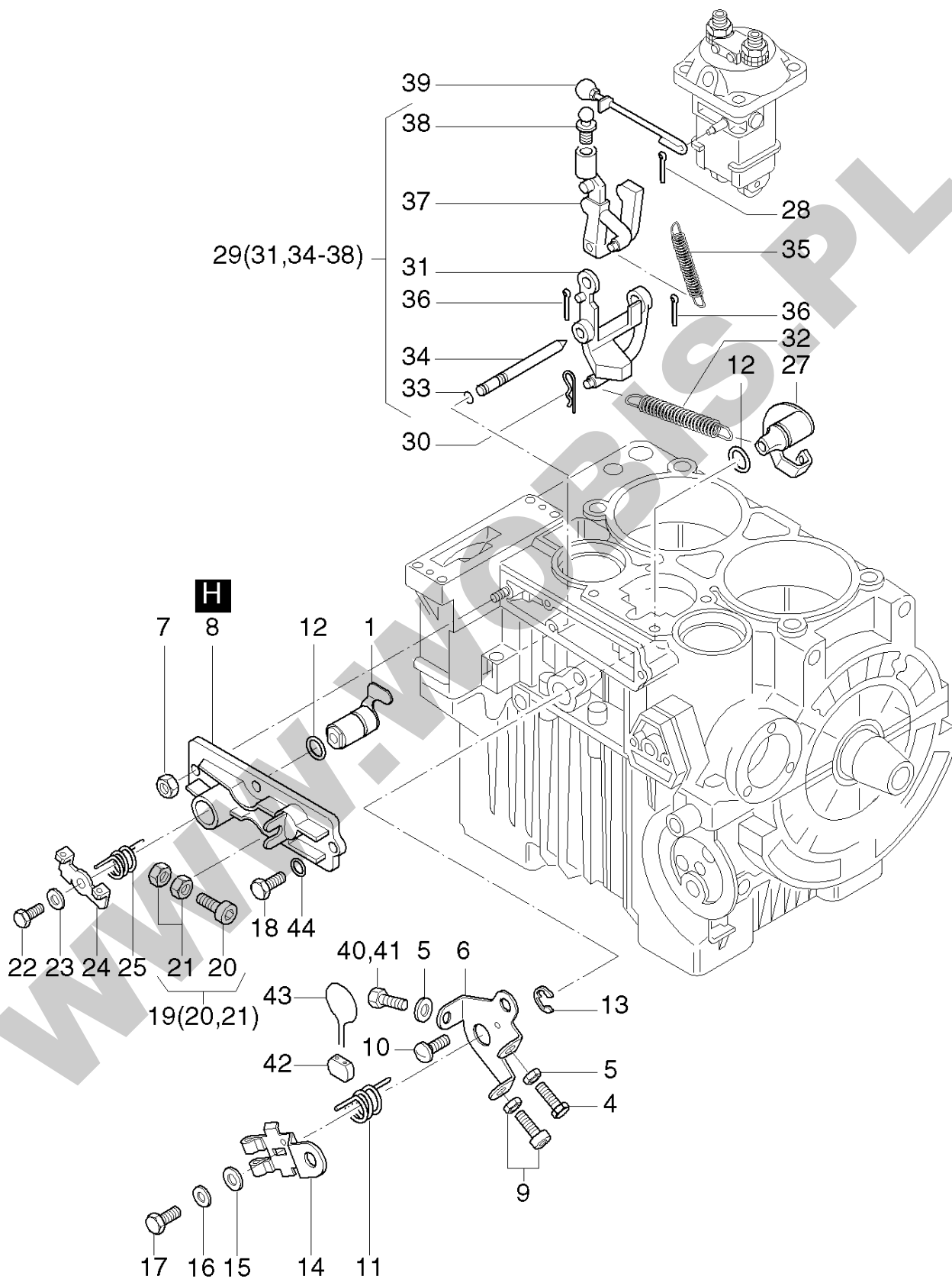
| Pos. | Part no. | Description        | Qty.   | Notice                             | Add. notice | kg    | EA | TA | DA | dDPW | List price |
|------|----------|--------------------|--------|------------------------------------|-------------|-------|----|----|----|------|------------|
| 1    | 03784400 | AIR DUCTING        | 1      |                                    |             | 0,315 | 1  | 11 | 1  |      | 168,6685   |
| 2    | 01225900 | COOLING AIR DUCT   | 1      |                                    |             | 0,191 | 1  | 11 | 1  |      | 73,3005    |
| 3    | 01225800 | COOLING AIR DUCT   | 1      |                                    |             | 0,282 | 1  | 11 | 1  |      | 81,6725    |
| 4    | 50314200 | COOLING AIR DUCT   | 1      |                                    |             | 2,000 | 1  | 11 | 1  |      | 666,484    |
| 5    | 50170700 | ALL.SCR.M 6 X 16   | 3      | M 6 x 16 DIN 912-8.8 A3C           |             | 0,006 | 4  | 11 | 1  |      | 1,729      |
| 6    | 50144500 | FLAT WASHER 6,4    | 4      | 6,4 DIN 125-St A3C                 |             | 0,001 | 4  | 11 | 1  |      | 0,455      |
| 7    | 50170600 | ALL.SCR.M 6X 20    | 1      | M 6 x 20 DIN 912-8.8 A3C           |             | 0,007 | 4  | 11 | 1  |      | 1,729      |
| 8    | 50144400 | HEXAGON NUT M 6    | 4      | M 6 DIN 934 - 8 A3C                |             | 0,002 | 4  | 11 | 1  |      | 1,2285     |
| 9    | 03784300 | AIR DUCT           | 1      |                                    |             | 0,072 | 1  | 11 | 1  |      | 38,5385    |
| 10   | 50165500 | HEXSCREW M 6X 12   | 1      | M 6 x 12 DIN 933-8.8 A3C           |             | 0,004 | 4  | 11 | 1  |      | 1,5015     |
| 11   | 50170900 | SPRING WASHER 6    | 1      | 6 DIN 128 - A3C                    |             | 0,001 | 4  | 11 | 1  |      | 0,455      |
| 12   | 01226100 | CLAMPING SHEET     | 1      |                                    |             | 0,019 | 1  | 11 | 1  |      | 27,8005    |
| 13   | 50170900 | SPRING WASHER 6    | 4      | 6 DIN 128 - A3C                    |             | 0,001 | 4  | 11 | 1  |      | 0,455      |
| 14   | 50170700 | ALL.SCR.M 6 X 16   | 4      | M 6 x 16 DIN 912-8.8 A3C           |             | 0,006 | 4  | 11 | 1  |      | 1,729      |
| 15   | 50208500 | SPRING WASHER 8    | 2      | 8 DIN 128 A3C                      |             | 0,001 | 4  | 11 | 1  | P2   | 1,4105     |
| 16   | 50098500 | HEXSCREW M 8X 16   | 2      | M 8 x 16 DIN 933-8.8 A3C           |             | 0,011 | 4  | 11 | 1  |      | 2,3205     |
| 17   | 50144500 | FLAT WASHER 6,4    | 5      | 6,4 DIN 125-St A3C                 |             | 0,001 | 4  | 11 | 1  |      | 0,455      |
| 18   | 50333800 | ALL.SCR.M 6X 12    | 5      | M 6 x 12 DIN 912-8.8 A3C Inbus-Pl. |             | 0,005 | 4  | 11 | 1  |      | 3,003      |
| 19   | 50334600 | ALL.SCR.M 4X 12    | 3      | M 4 x 12 DIN 912-8.8 A3C Inbus-Pl. |             | 0,002 | 4  | 11 | 1  |      | 2,912      |
| 20   | 50315400 | SPRING WASHER B 4  | 3      | 34 DIN 137 A3C B 4                 |             | 0,001 | 4  | 11 | 1  |      | 0,455      |
| 21   | _nopart  | Not in this engine | -      |                                    |             |       |    |    |    |      |            |
| 22   | 40002500 | RIVET 2,4X6        | 4      | 2,4                                |             | 0,001 | 4  | 11 | 1  |      | 1,4105     |
| 23   | 50144500 | FLAT WASHER 6,4    | 1      | 6,4 DIN 125-St A3C                 |             | 0,001 | 4  | 11 | 1  |      | 0,455      |
| 24   | 50334800 | RUBBER SLEEVE      | 1      |                                    |             | 0,001 | 4  | 11 | 1  |      | 3,2305     |
| 25   | 01140701 | PROTECTION SCREEN  | 1      |                                    |             | 0,210 | 1  | 21 | 1  |      | 131,1765   |
| 26   | 50334900 | SHEET-MET.SCR.B4,2 | 4      | B 4,2 x 9,5 DIN 7981 A3C           |             | 0,001 | 4  | 21 | 1  |      | 1,729      |
| 27   | 50147200 | FLAT WASHER 4,3    | 4      | 4,3 DIN 125 - A3C                  |             | 0,001 | 4  | 11 | 1  |      | 0,455      |
| 28   | 50408500 | NUT M4 F.AIR DUCT. | 3      | M4                                 |             | 0,002 | 4  | 13 | 1  |      | 7,735      |
| 29   | 50326800 | SUPPORT            | 0... 4 |                                    |             | 0,001 | 4  | 21 | 1  |      | 5,7785     |
|      |          |                    |        |                                    |             |       |    |    |    |      |            |





**ORYGINALNE CZĘŚCI ZAMIENNE SERWIS GWARANCYJNY I POGWARANCYJNY WYMIARY  
SERWISOWE ORAZ KATALOGI CZĘŚCI ZAMIENNYCH NA STRONIE WWW.WOBIS.PL/SERWIS**

| Pos. | Part no. | Description         | Qty. | Notice                   | Add. notice | kg    | EA | TA | DA | dDPW   | List price |
|------|----------|---------------------|------|--------------------------|-------------|-------|----|----|----|--------|------------|
| 1    | 03784121 | AIR INTAKE MANIFOLD | 1    |                          |             | 1,530 | 1  | 11 | 1  |        | 482,2545   |
| 2    | 40028400 | HEX.NUT M 8         | 4    | VM 8 DIN 980-8 C3A       |             | 0,008 | 4  | 11 | 1  | P2     | 2,2295     |
| 3    | 50095100 | SPRING WASHER A 8   | 4    | A 8 DIN 137 A3C          |             | 0,001 | 4  | 11 | 1  |        | 0,455      |
| 4    | 03783902 | GASKET              | 2    |                          |             | 0,003 | 1  | 11 | 1  | d1     | 11,102     |
| 5    | 50303000 | HOSE CONNECTION     | 1    |                          |             | 0,030 | 1  | 13 | 1  |        | 39,7215    |
| 6    | 03784001 | BREATHER HOSE       | 1    |                          |             | 0,061 | 1  | 11 | 1  |        | 47,047     |
| 7    | 01225610 | BREATHER VALVE      | 1    |                          |             | 0,022 | 1  | 11 | 1  |        | 70,161     |
| 8    | 03568600 | BREATHER CAP        | 1    |                          |             | 0,004 | 1  | 11 | 1  |        | 7,007      |
| 9    | 03568700 | DIAPHRAGM           | 1    |                          |             | 0,004 | 1  | 11 | 5  |        |            |
| 10   | _noorder | No single order     | -    |                          |             |       |    |    |    |        |            |
| 11   | 50326200 | O-RING 11,3X2,4     | 2    | 11,3 x 2,4               |             | 0,001 | 4  | 11 | 1  |        | 2,3205     |
| 12   | 50140400 | DRAIN PLUG M 22X1,5 | 1    | AM22x1,5DIN7604-5.8A3C   |             | 0,037 | 4  | 11 | 1  | zzNein | 7,462      |
| 13   | 50001600 | JOINT A22 X27       | 1    | A 22 x 27 DIN 7603 Cu    |             | 0,002 | 4  | 11 | 1  | d1     | 2,2295     |
| 14   | 03787402 | AIR-INTAKE MANIFOLD | 1    |                          |             | 1,520 | 1  | 21 | 4  |        | 514,8325   |
| 15   | 03943001 | AIR-INTAKE MANIFOLD | 1    |                          |             | 1,520 | 1  | 21 | 4  |        | 579,033    |
| 16   | 03939700 | COVER               | 1    |                          |             | 0,165 | 1  | 21 | 4  |        | 42,861     |
| 17   | 50208500 | SPRING WASHER 8     | 4    | 8 DIN 128 A3C            |             | 0,001 | 4  | 11 | 1  | P2     | 1,4105     |
| 18   | 50148000 | HEXAGON NUT M 8     | 4    | M 8 DIN 934-8 A3C        |             | 0,005 | 4  | 11 | 1  | P2     | 1,4105     |
| 19   | 01285600 | GASKET AIR FILTER   | 1    |                          |             | 0,028 | 1  | 21 | 1  |        | 16,835     |
| 20   | 50148100 | FLAT WASHER 8,4     | 4    | 8,4 DIN 125-St A3C       |             | 0,002 | 4  | 11 | 1  |        | 0,455      |
| 21   | 50175900 | ALL.SCR.M 8X 30     | 2    | M 8 x 30 DIN 912-8.8 A3C |             | 0,017 | 4  | 11 | 1  |        | 2,6845     |
| 22   | 50183100 | ALL.SCR.M 8X 90     | 2    | M 8 x 90 DIN 912-8.8 A3C |             | 0,038 | 4  | 11 | 1  |        | 4,732      |
|      |          |                     |      |                          |             |       |    |    |    |        |            |
|      |          |                     |      |                          |             |       |    |    |    |        |            |
|      |          |                     |      |                          |             |       |    |    |    |        |            |
|      |          |                     |      |                          |             |       |    |    |    |        |            |
|      |          |                     |      |                          |             |       |    |    |    |        |            |
|      |          |                     |      |                          |             |       |    |    |    |        |            |
|      |          |                     |      |                          |             |       |    |    |    |        |            |
|      |          |                     |      |                          |             |       |    |    |    |        |            |
|      |          |                     |      |                          |             |       |    |    |    |        |            |
|      |          |                     |      |                          |             |       |    |    |    |        |            |

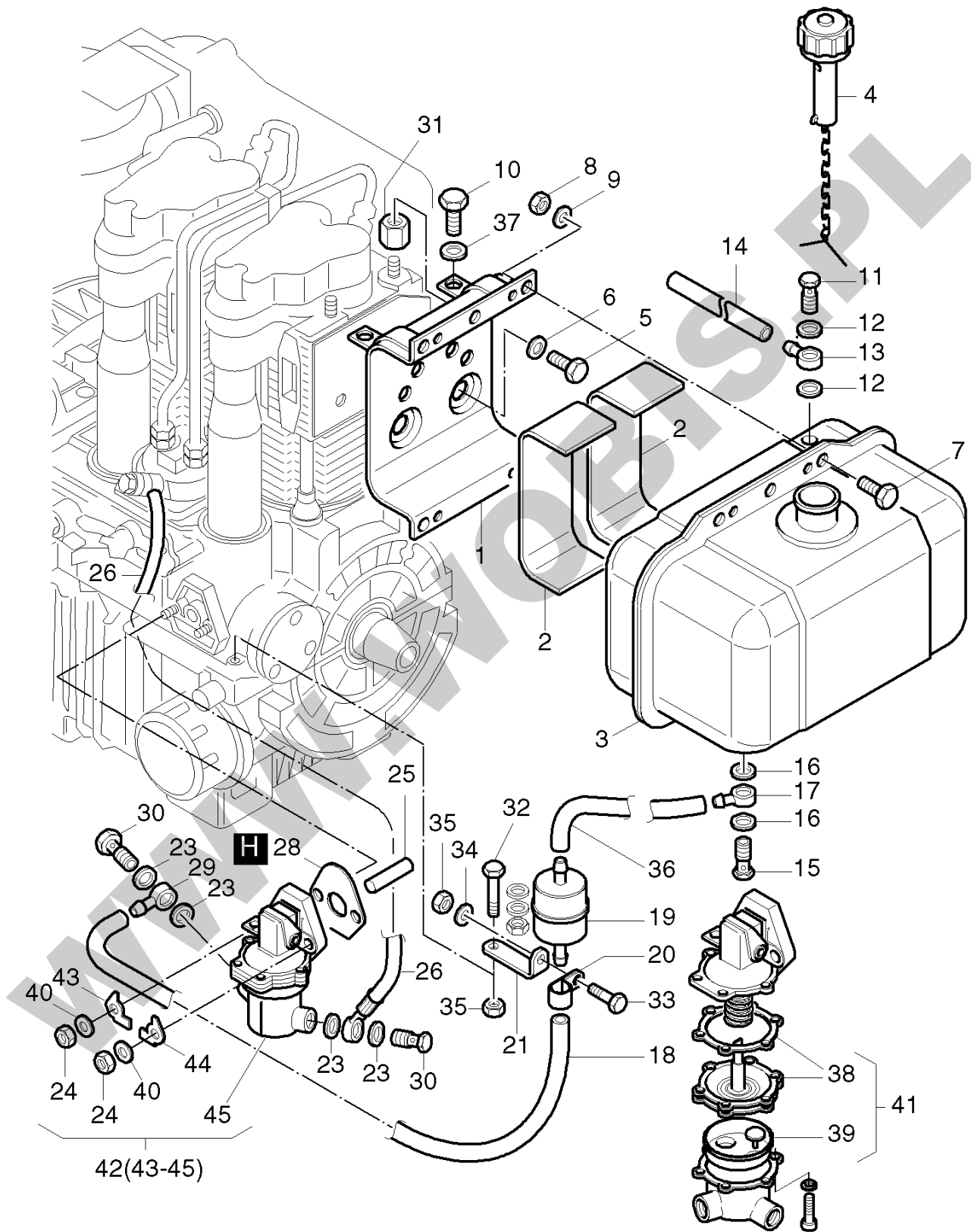


**ORYGINALNE CZĘŚCI ZAMIENNE SERWIS GWARANCYJNY I POGWARANCYJNY WYMIARY  
SERWISOWE ORAZ KATALOGI CZĘŚCI ZAMIENNYCH NA STRONIE WWW.WOBIS.PL/SERWIS**

| Pos. | Part no. | Description         | Qty.   | Notice                             | Add. notice | kg    | EA | TA | DA | dDPW | List price |
|------|----------|---------------------|--------|------------------------------------|-------------|-------|----|----|----|------|------------|
| 1    | 01222300 | LEVER STOP          | 1      |                                    |             | 0,030 | 1  | 13 | 0  |      | 49,14      |
| 4    | 50092100 | HEXSCREW M 6X 25    | 1      | M 6 x 25 DIN 933-8.8 A3C           |             | 0,007 | 4  | 11 | 1  |      | 1,729      |
| 5    | 50144400 | HEXAGON NUT M 6     | 2      | M 6 DIN 934 - 8 A3C                |             | 0,002 | 4  | 11 | 1  |      | 1,2285     |
| 6    | 50308901 | PLATE SPEED CONTROL | 1      |                                    |             | 0,050 | 9  | 11 | 0  |      | 19,11      |
| 7    | 50144400 | HEXAGON NUT M 6     | 1      | M 6 DIN 934 - 8 A3C                |             | 0,002 | 4  | 11 | 1  |      | 1,2285     |
| 8    | 50306200 | COVER               | 1      |                                    |             | 0,144 | 9  | 13 | 0  |      | 124,6245   |
| 9    | 50309100 | ADJUSTING SCREW     | 1      |                                    |             | 0,013 | 1  | 21 | 1  |      | 12,2395    |
| 10   | 50309200 | SCREW M 8X12        | 1      | M 8 x 12 DIN 997 10 5.8            |             | 0,009 | 4  | 11 | 0  |      | 2,6845     |
| 11   | 50309300 | RETURN SPRING       | 1      |                                    |             | 0,004 | 1  | 11 | 1  |      | 18,746     |
| 12   | 50306500 | O-RING 8,73X1,78    | 2      | 8,73 x 1,78                        |             | 0,001 | 4  | 13 | 1  | D2   | 4,186      |
| 13   | 50308800 | CIRCLIP 8           | 1      | 8<br>part was replaced by 50500800 |             | 0,001 | 0  | 13 | 1  |      |            |
| 14   | 50309400 | LEVER SPEED CONTROL | 1      |                                    |             | 0,046 | 1  | 11 | 1  |      | 27,30      |
| 15   | 50309500 | WASHER 12,5X18X3    | 1      | 12,5 x 18 x 3 772-17               |             | 0,003 | 9  | 11 | 0  |      | 6,825      |
| 16   | 50114300 | DISC 6,4            | 1      | 6,4 x 17 x 3 DIN 7349 A3C          |             | 0,005 | 4  | 11 | 1  |      | 2,3205     |
| 17   | 50025400 | HEXSCREW M 6X 10    | 1      | M 6 x 10 DIN 933 - 8.8 A3C         |             | 0,004 | 4  | 11 | 1  |      | 1,729      |
| 18   | 50146300 | HEXSCREW M 6X 18    | 3      | M 6 x 18 DIN 933-8.8 A3C           |             | 0,005 | 4  | 11 | 1  |      | 1,001      |
| 19   | 50306900 | ADJUSTING SCREW     | 1      |                                    |             | 0,010 | 1  | 21 | 1  |      | 13,4225    |
| 20   | _noorder | No single order     | -      |                                    |             |       |    |    |    |      |            |
| 21   | 50144400 | HEXAGON NUT M 6     | 2      | M 6 DIN 934 - 8 A3C                |             | 0,002 | 4  | 11 | 1  |      | 1,2285     |
| 22   | 50025400 | HEXSCREW M 6X 10    | 1      | M 6 x 10 DIN 933 - 8.8 A3C         |             | 0,004 | 4  | 11 | 1  |      | 1,729      |
| 23   | 50144500 | FLAT WASHER 6,4     | 1      | 6,4 DIN 125-St A3C                 |             | 0,001 | 4  | 11 | 1  |      | 0,455      |
| 24   | 01266500 | LEVER OUT           | 1      |                                    |             | 0,015 | 1  | 11 | 0  |      | 38,493     |
| 25   | 50306600 | RETURN SPRING       | 1      |                                    |             | 0,003 | 1  | 13 | 0  |      | 14,651     |
| 27   | 04088300 | LEVER               | 1      |                                    |             | 0,035 | 1  | 13 | 1  |      | 98,28      |
| 28   | 50036000 | COTTER PIN 2 X 10   | 1      | 2 x 10 DIN 94                      |             | 0,001 | 4  | 11 | 1  |      | 0,455      |
| 29   | 01222510 | GOVERNOR LEVER      | 1      |                                    |             | 0,061 | 1  | 13 | 1  |      | 217,6265   |
| 30   | 50308500 | SPRING              | 1      | DIN 555-21                         |             | 0,003 | 4  | 13 | 1  |      | 9,919      |
| 31   | _noorder | No single order     | -      |                                    |             |       |    |    |    |      |            |
| 32   | 04022300 | GOV.SPR.0,7GEN 1500 | 0... 1 | Ø 0,70 mm n = 1500 min-1 Gen.      |             | 0,002 | 9  | 11 | 0  |      | 21,749     |

**ORYGINALNE CZĘŚCI ZAMIENNE SERWIS GWARANCYJNY I POGWARANCYJNY WYMIARY  
SERWISOWE ORAZ KATALOGI CZĘŚCI ZAMIENNYCH NA STRONIE WWW.WOBIS.PL/SERWIS**

| Pos. | Part no. | Description         | Qty.   | Notice                             | Add. notice | kg    | EA | TA | DA | dDPW | List price |
|------|----------|---------------------|--------|------------------------------------|-------------|-------|----|----|----|------|------------|
| 32   | 50355100 | GOVERNOR SPRING 0,7 | 0... 1 | ...2000 min-1 DIN 551-25           |             | 0,004 | 9  | 11 | 0  |      | 29,9845    |
| 32   | 04020200 | GOV.SPR.0,8 ...2300 | 0... 1 | ø 0,8 mm n>2000...2300 min-1       |             | 0,001 | 9  | 11 | 0  |      | 20,2475    |
| 32   | 03791900 | GOVERNOR SPRING     | 0... 1 | Ø 0,95 mm n > 2300...3000 min-1    |             | 0,001 | 1  | 11 | 3  |      | 17,2445    |
| 33   | 50308100 | O-RING 2,9X1,78     | 2      | 2,9 x 1,78                         |             | 0,001 | 4  | 13 | 1  | D2   | 9,373      |
| 34   | 50307900 | SHAFT F.GOV.LEVER   | 1      |                                    |             | 0,015 | 1  | 13 | 1  |      | 15,47      |
| 35   | 50308300 | SPRING              | 1      | DIN 551-33                         |             | 0,001 | 1  | 13 | 1  |      | 18,7915    |
| 36   | 50308400 | COTTER PIN 1,3X8    | 2      | 1,6 x 8 DIN 94                     |             | 0,001 | 4  | 13 | 1  |      | 1,4105     |
| 37   | _noorder | No single order     | -      |                                    |             |       |    |    |    |      |            |
| 38   | _noorder | No single order     | -      |                                    |             |       |    |    |    |      |            |
| 39   | 01222400 | ROD                 | 1      | 926-38                             |             | 0,017 | 1  | 13 | 1  |      | 111,3385   |
| 40   | 03791600 | HEXSCREW M 6X 30    | 0... 1 | M 6 x 30                           |             | 0,008 | 9  | 11 | 0  |      | 24,297     |
| 41   | 50344900 | HEXSCREW M 6X 25    | 0... 1 | M 6 x 25 DIN 989-75 n > 2500 min-1 |             | 0,007 | 1  | 11 | 0  |      | 10,4195    |
| 42   | 40021400 | LEAD SEAL 8 MM      | 1      | 8 mm ø                             |             | 0,001 | 4  | 11 | 1  |      | 0,455      |
| 43   | 40021500 | SEAL WIRE 0,5-0,3   | 1      | 0,5 / 0,3 x 200                    |             | 0,001 | 4  | 11 | 1  |      | 0,455      |
| 44   | 50313100 | JOINT A 6 X10       | 3      | A 6 x 10 DIN 7603-Cu.              |             | 0,001 | 4  | 11 | 1  | d2   | 0,455      |
| H    | 50282501 | SILICON SEALER      | 1      | 30ML 1207                          |             | 0,055 | 4  | 12 | 1  |      | 48,23      |
|      |          |                     |        |                                    |             |       |    |    |    |      |            |
|      |          |                     |        |                                    |             |       |    |    |    |      |            |
|      |          |                     |        |                                    |             |       |    |    |    |      |            |
|      |          |                     |        |                                    |             |       |    |    |    |      |            |
|      |          |                     |        |                                    |             |       |    |    |    |      |            |
|      |          |                     |        |                                    |             |       |    |    |    |      |            |
|      |          |                     |        |                                    |             |       |    |    |    |      |            |
|      |          |                     |        |                                    |             |       |    |    |    |      |            |
|      |          |                     |        |                                    |             |       |    |    |    |      |            |
|      |          |                     |        |                                    |             |       |    |    |    |      |            |
|      |          |                     |        |                                    |             |       |    |    |    |      |            |
|      |          |                     |        |                                    |             |       |    |    |    |      |            |
|      |          |                     |        |                                    |             |       |    |    |    |      |            |
|      |          |                     |        |                                    |             |       |    |    |    |      |            |
|      |          |                     |        |                                    |             |       |    |    |    |      |            |
|      |          |                     |        |                                    |             |       |    |    |    |      |            |



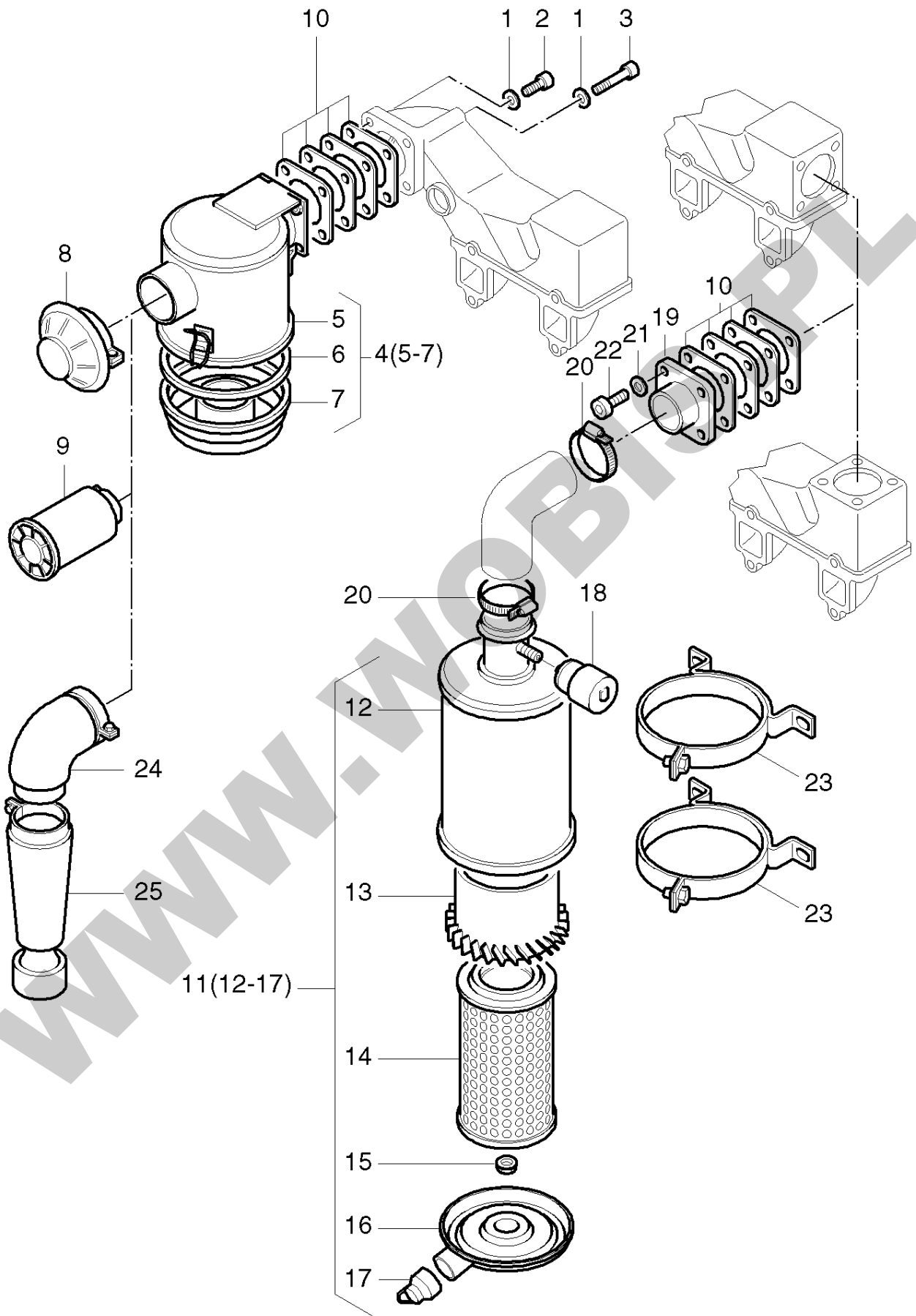
**ORYGINALNE CZĘŚCI ZAMIENNE SERWIS GWARANCYJNY I POGWARANCYJNY WYMIARY  
SERWISOWE ORAZ KATALOGI CZĘŚCI ZAMIENNYCH NA STRONIE WWW.WOBIS.PL/SERWIS**

| Pos. | Part no. | Description        | Qty.   | Notice                    | Add. notice | kg    | EA | TA | DA | dDPW  | List price |
|------|----------|--------------------|--------|---------------------------|-------------|-------|----|----|----|-------|------------|
| 1    | 03918900 | CONSOLE FUEL TANK  | 1      |                           |             | 0,885 | 1  | 21 | 2  |       | 310,4465   |
| 2    | 50291900 | STRIP              | 2      |                           |             | 0,006 | 1  | 21 | 2  |       | 11,102     |
| 3    | 50291700 | FUEL TANK 7 LTRS.  | 1      |                           |             | 1,950 | 9  | 21 | 0  |       |            |
| 4    | 01125300 | CAP FUEL TANK      | 1      |                           |             | 0,042 | 4  | 21 | 2  | P1    | 34,853     |
| 5    | 50135400 | HEXSCREW M 8X 20   | 2      | M 8 x 20 DIN 933-8.8 A3C  |             | 0,012 | 4  | 11 | 1  |       | 2,6845     |
| 6    | 50148100 | FLAT WASHER 8,4    | 2      | 8,4 DIN 125-St A3C        |             | 0,002 | 4  | 11 | 1  |       | 0,455      |
| 7    | 50098500 | HEXSCREW M 8X 16   | 4      | M 8 x 16 DIN 933-8.8 A3C  |             | 0,011 | 4  | 11 | 1  |       | 2,3205     |
| 8    | 50148000 | HEXAGON NUT M 8    | 4      | M 8 DIN 934-8 A3C         |             | 0,005 | 4  | 11 | 1  | P2    | 1,4105     |
| 9    | 50208500 | SPRING WASHER 8    | 4      | 8 DIN 128 A3C             |             | 0,001 | 4  | 11 | 1  | P2    | 1,4105     |
| 10   | 50092200 | HEXSCREW M10X16    | 2      | M 10 x 16 DIN 933-8.8 A3C |             | 0,021 | 0  | 11 | 1  |       | 3,003      |
| 11   | 50006100 | BANJO BOLT 4-5-3   | 1      | 4-5-3 DIN 7643            |             | 0,007 | 4  | 11 | 1  | P1    | 6,3245     |
| 12   | 50000900 | JOINT A8X11,5      | 2      | A 8 x 11,5 DIN 7603-Cu    |             | 0,001 | 4  | 11 | 1  | D5,d2 | 0,455      |
| 13   | 50015700 | RING PIECE NW3     | 1      | NW 3                      |             | 0,007 | 4  | 11 | 1  |       | 9,5095     |
| 14   | 03962100 | FUEL HOSE 3,5X 160 | 1      | 3,5 x 2,5 - 160 mm        |             | 0,007 | 1  | 11 | 1  |       |            |
| 15   | 50006400 | BANJO BOLT 10-3    | 1      | 10-3 DIN 7643             |             | 0,029 | 4  | 11 | 1  |       | 8,6905     |
| 16   | 50001200 | JOINT A14 X18      | 2      | A 14 x 18 DIN 7603-Cu     |             | 0,001 | 4  | 11 | 1  | W4,D1 | 1,001      |
| 17   | 50015900 | RING PIECE NW8     | 1      | NW 8 / 6                  |             | 0,025 | 4  | 11 | 1  |       | 18,0635    |
| 18   | 03493200 | FUEL HOSE 7 X 280  | 1      | 7 x 280 mm                |             | 0,020 | 1  | 21 | 1  |       |            |
| 19   | 50478800 | FUEL FILTER 7MY    | 1      | Filter                    |             | 0,054 | 4  | 21 | 1  | W2    | 29,8025    |
| 20   | 03165500 | PIPE CLIP          | 1      |                           |             | 0,005 | 1  | 11 | 1  |       | 5,46       |
| 21   | 03938200 | SUPPORT            | 1      |                           |             | 0,017 | 1  | 21 | 1  |       | 13,4225    |
| 23   | 50001000 | JOINT A10 X16      | 4      | A 10 x 16 DIN 7603-Cu     |             | 0,008 | 4  | 11 | 1  |       | 0,5915     |
| 24   | 50335300 | HEXAGON NUT M 8    | 2      | M 8 SW 12 A3C             |             | 0,004 | 4  | 11 | 1  |       | 1,5015     |
| 25   | 50291500 | TAPPET             | 1      |                           |             | 0,008 | 1  | 13 | 1  |       | 30,485     |
| 26   | 50291000 | FUEL PIPE          | 1      | DIN 936-03                |             | 0,080 | 1  | 21 | 0  |       |            |
| 28   | 04118501 | SHIM 1,0           | 0... 1 | 1,0mm                     |             | 0,016 | 1  | 21 | 1  | D1    | 6,6885     |
| 28   | 04118601 | SHIM 1,4           | 0... 1 | 1,4mm                     |             | 0,002 | 1  | 21 | 1  | D1    | 7,644      |
| 29   | 40092600 | RING PIECE NW 4/6  | 1      | NW 4 / 6                  |             | 0,009 | 4  | 11 | 1  |       | 13,923     |
| 30   | 50006200 | BANJO BOLT 6-3     | 2      | 6 - 3 DIN 7643            |             | 0,012 | 4  | 11 | 1  |       | 8,099      |
| 31   | 03784500 | HEXAGON NUT M 10   | 2      |                           |             | 0,046 | 9  | 11 | 0  |       | 21,9765    |

**ORYGINALNE CZĘŚCI ZAMIENNE SERWIS GWARANCYJNY I POGWARANCYJNY WYMIARY  
SERWISOWE ORAZ KATALOGI CZĘŚCI ZAMIENNYCH NA STRONIE WWW.WOBIS.PL/SERWIS**

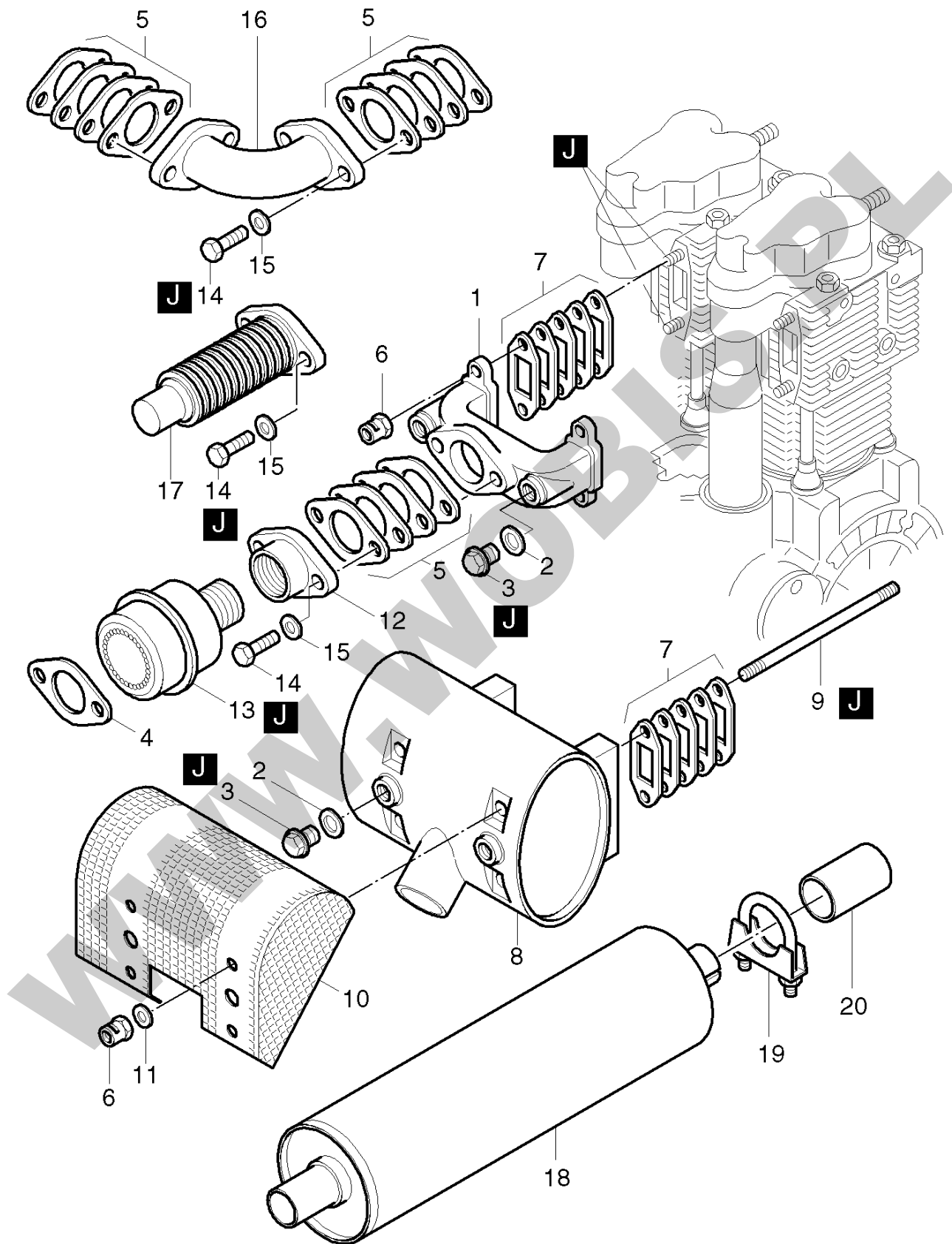
| Pos. | Part no. | Description         | Qty. | Notice                        | Add. notice | kg    | EA | TA | DA | dDPW | List price |
|------|----------|---------------------|------|-------------------------------|-------------|-------|----|----|----|------|------------|
| 32   | 50328500 | HEXSCREW M 6X 65    | 1    | M 6 x 65 DIN 933-8.8 A3C      |             | 0,014 | 4  | 21 | 1  |      | 3,9585     |
| 33   | 50165500 | HEXSCREW M 6X 12    | 1    | M 6 x 12 DIN 933-8.8 A3C      |             | 0,004 | 4  | 11 | 1  |      | 1,5015     |
| 34   | 50144500 | FLAT WASHER 6,4     | 1    | 6,4 DIN 125-St A3C            |             | 0,001 | 4  | 11 | 1  |      | 0,455      |
| 35   | 50144400 | HEXAGON NUT M 6     | 1    | M 6 DIN 934 - 8 A3C           |             | 0,002 | 4  | 11 | 1  |      | 1,2285     |
| 36   | 03525500 | FUEL HOSE 7 X 180   | 1    | 7 x 180 mm                    |             | 0,012 | 1  | 21 | 5  |      |            |
| 37   | 50145900 | FLAT WASHER 10,5    | 2    | B 10,5 DIN 125-St A3C         |             | 0,004 | 4  | 11 | 1  |      | 1,4105     |
| 38   | _noorder | No single order     | -    |                               |             |       |    |    |    |      |            |
| 39   | _noorder | No single order     | -    |                               |             |       |    |    |    |      |            |
| 40   | 50095100 | SPRING WASHER A 8   | 2    | A 8 DIN 137 A3C               |             | 0,001 | 4  | 11 | 1  |      | 0,455      |
| 41   | 50467900 | DIAPHRAGM+VALV.PLAT | 1    | part was replaced by 01601300 |             | 0,200 | 0  | 22 | 0  |      |            |
| 42   | 01601300 | FUEL FEED PUMP      | 1    |                               |             | 0,390 | 4  | 22 | 3  |      | 378,742    |
| 43   | 04132500 | SUPPORTING PLATE    | 1    |                               |             | 0,012 | 1  | 21 | 3  |      | 27,30      |
| 44   | 04132400 | SUPPORTING PLATE    | 1    |                               |             | 0,012 | 1  | 21 | 3  |      | 27,30      |
| 45   | _noorder | No single order     | -    |                               |             |       |    |    |    |      |            |
| H    | 50282501 | SILICON SEALER      | 1    | 30ML 1207                     |             | 0,055 | 4  | 12 | 1  |      | 48,23      |
|      |          |                     |      |                               |             |       |    |    |    |      |            |
|      |          |                     |      |                               |             |       |    |    |    |      |            |
|      |          |                     |      |                               |             |       |    |    |    |      |            |
|      |          |                     |      |                               |             |       |    |    |    |      |            |
|      |          |                     |      |                               |             |       |    |    |    |      |            |
|      |          |                     |      |                               |             |       |    |    |    |      |            |
|      |          |                     |      |                               |             |       |    |    |    |      |            |
|      |          |                     |      |                               |             |       |    |    |    |      |            |
|      |          |                     |      |                               |             |       |    |    |    |      |            |
|      |          |                     |      |                               |             |       |    |    |    |      |            |
|      |          |                     |      |                               |             |       |    |    |    |      |            |
|      |          |                     |      |                               |             |       |    |    |    |      |            |





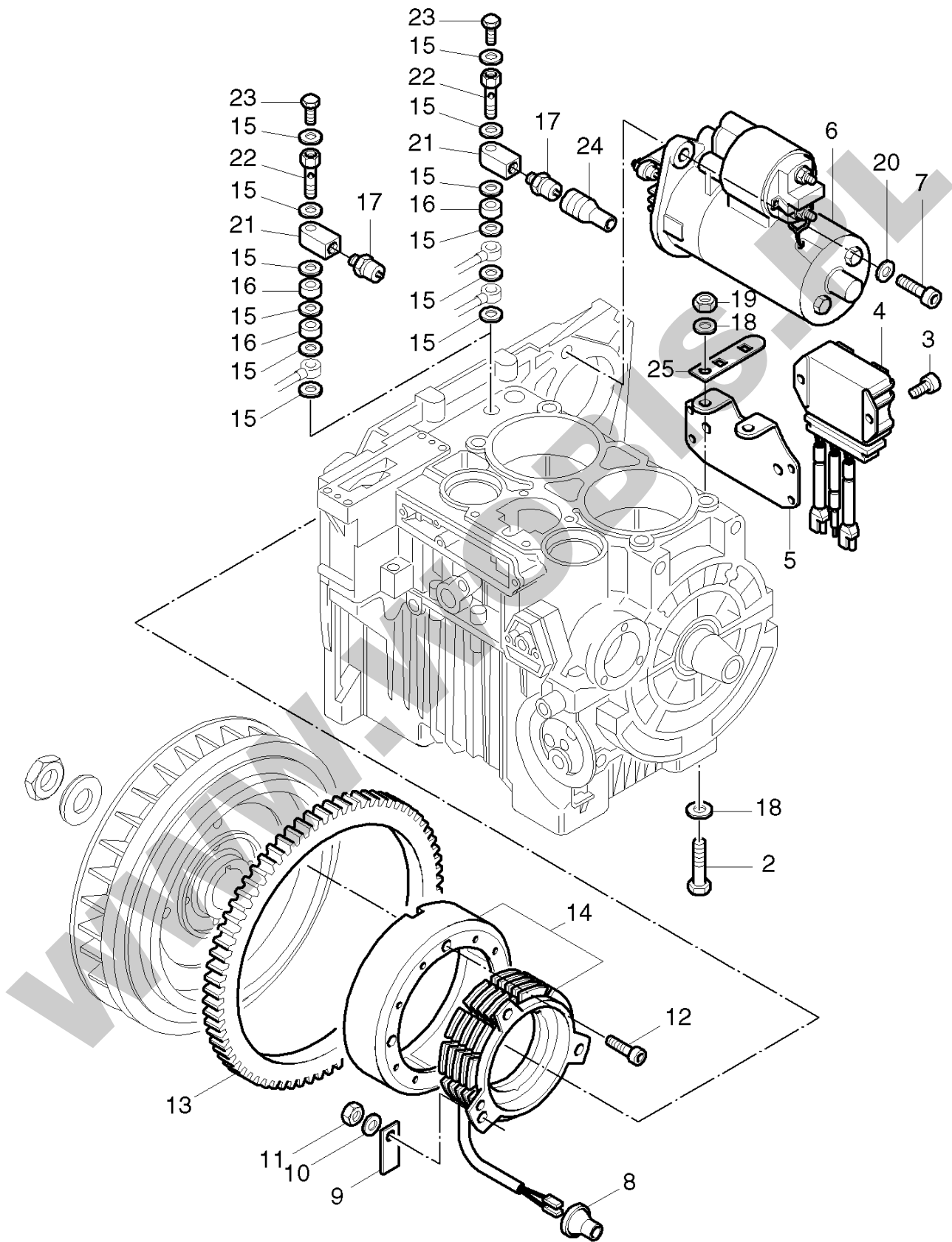
**ORYGINALNE CZĘŚCI ZAMIENNE SERWIS GWARANCYJNY I POGWARANCYJNY WYMIARY  
SERWISOWE ORAZ KATALOGI CZĘŚCI ZAMIENNYCH NA STRONIE WWW.WOBIS.PL/SERWIS**

| Pos. | Part no. | Description         | Qty. | Notice                   | Add. notice | kg    | EA | TA | DA | dDPW | List price |
|------|----------|---------------------|------|--------------------------|-------------|-------|----|----|----|------|------------|
| 1    | 50148100 | FLAT WASHER 8,4     | 4    | 8,4 DIN 125-St A3C       |             | 0,002 | 4  | 11 | 1  |      | 0,455      |
| 2    | 50175900 | ALL.SCR.M 8X 30     | 2    | M 8 x 30 DIN 912-8.8 A3C |             | 0,017 | 4  | 11 | 1  |      | 2,6845     |
| 3    | 50183100 | ALL.SCR.M 8X 90     | 2    | M 8 x 90 DIN 912-8.8 A3C |             | 0,038 | 4  | 11 | 1  |      | 4,732      |
| 4    | 01122210 | OILBATH AIRFILTER   | 1    |                          |             | 1,780 | 4  | 21 | 1  |      | 603,967    |
| 5    | _noorder | No single order     | -    |                          |             |       |    |    |    |      |            |
| 6    | 49038000 | PACKING RING        | 1    |                          |             | 0,012 | 4  | 23 | 1  | P1   | 12,376     |
| 7    | 49059500 | OIL CONTAINER       | 1    |                          |             | 0,250 | 9  | 23 | 0  |      | 76,167     |
| 8    | 40040400 | RAIN PROTECTION CAP | 1    |                          |             | 0,065 | 4  | 11 | 1  | P1   | 72,2995    |
| 9    | 01035900 | CYCLONE             | 1    |                          |             | 0,429 | 9  | 21 | 0  |      |            |
| 10   | 01285600 | GASKET AIR FILTER   | 1    |                          |             | 0,028 | 1  | 21 | 1  |      | 16,835     |
| 11   | 50367800 | DRY TYPE AIR FILTER | 1    |                          |             | 1,875 | 4  | 21 | 4  |      | 1096,004   |
| 12   | _noorder | No single order     | -    |                          |             |       |    |    |    |      |            |
| 13   | _noorder | No single order     | -    |                          |             |       |    |    |    |      |            |
| 14   | 49061600 | AIRFILT.ELEM.H218MM | 1    |                          |             | 0,430 | 4  | 23 | 2  |      | 293,9755   |
| 15   | _noorder | No single order     | -    |                          |             |       |    |    |    |      |            |
| 16   | _noorder | No single order     | -    |                          |             |       |    |    |    |      |            |
| 17   | _noorder | No single order     | -    |                          |             |       |    |    |    |      |            |
| 18   | 50333000 | MAINT.INDICATOR     | 1    |                          |             | 0,058 | 4  | 21 | 4  |      | 299,845    |
| 19   | 01198900 | CONNECTING TUBE     | 1    | Ø 50 mm                  |             | 0,152 | 1  | 21 | 2  |      | 238,8295   |
| 20   | 40095500 | HOSE CLIP 45-70     | 2    | 50 - 70                  |             | 0,022 | 4  | 11 | 4  |      | 11,2385    |
| 21   | 50208500 | SPRING WASHER 8     | 4    | 8 DIN 128 A3C            |             | 0,001 | 4  | 11 | 1  | P2   | 1,4105     |
| 22   | 50206300 | ALL.SCR.M 8X 18     | 4    | M 8 x 18 DIN 912-8.8 A3C |             | 0,013 | 4  | 11 | 2  |      | 2,457      |
| 23   | 50367900 | SUPPORT             | 2    |                          |             | 0,201 | 4  | 21 | 4  |      | 243,0155   |
| 24   | 01193000 | ELBOW CPL.          | 1    |                          |             | 0,190 | 4  | 21 | 4  |      | 270,634    |
| 25   | 01193100 | DIFFUSER CPL.       | 1    |                          |             | 0,230 | 4  | 21 | 4  |      | 296,2505   |
|      |          |                     |      |                          |             |       |    |    |    |      |            |
|      |          |                     |      |                          |             |       |    |    |    |      |            |
|      |          |                     |      |                          |             |       |    |    |    |      |            |
|      |          |                     |      |                          |             |       |    |    |    |      |            |



**ORYGINALNE CZĘŚCI ZAMIENNE SERWIS GWARANCYJNY I POGWARANCYJNY WYMIARY  
SERWISOWE ORAZ KATALOGI CZĘŚCI ZAMIENNYCH NA STRONIE WWW.WOBIS.PL/SERWIS**

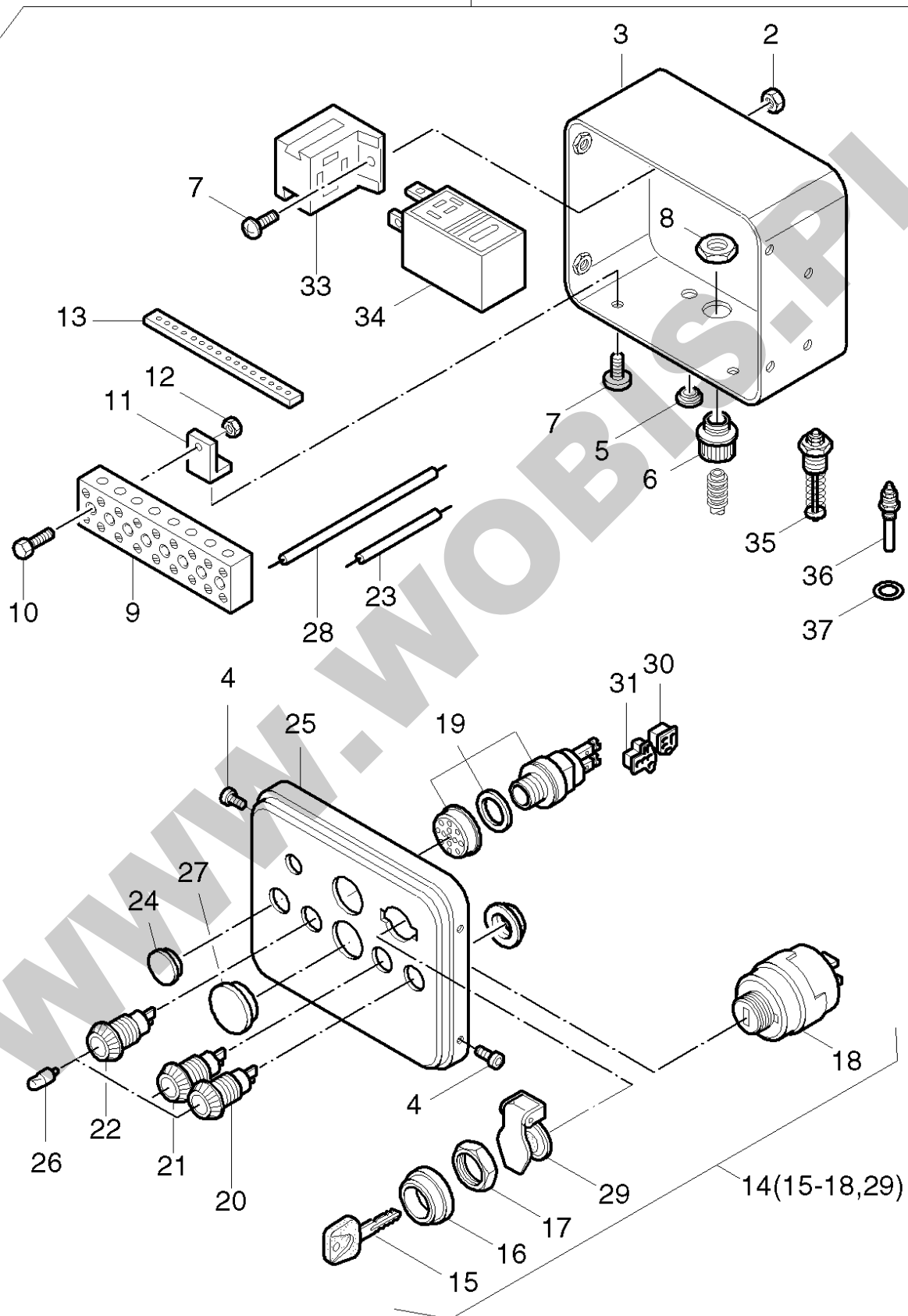
| Pos. | Part no. | Description         | Qty. | Notice                    | Add. notice | kg    | EA | TA | DA | dDPW | List price |
|------|----------|---------------------|------|---------------------------|-------------|-------|----|----|----|------|------------|
| 1    | 03919800 | EXHAUST MANIFOLD    | 1    |                           |             | 1,000 | 1  | 21 | 2  |      | 342,888    |
| 2    | 03228800 | JOINT WASHER 1,0    | 2    |                           |             | 0,001 | 1  | 11 | 1  | d1   | 3,003      |
| 3    | 50044700 | CLOS.SCREW R1/4     | 2    | R 1/4 DIN 910 - 5.8 A3C   |             | 0,025 | 4  | 11 | 1  |      | 7,462      |
| 4    | 50060600 | TWINSCREW-FL.A42X68 | 1    | 42 x 68 DIN 71501         |             | 0,142 | 4  | 21 | 2  |      | 27,1635    |
| 5    | 01285800 | GASKET EXHAUST SIL. | 1    |                           |             | 0,020 | 1  | 21 | 2  |      | 13,65      |
| 6    | 40028400 | HEX.NUT M 8         | 4    | VM 8 DIN 980-8 C3A        |             | 0,008 | 4  | 11 | 1  | P2   | 2,2295     |
| 7    | 01285500 | GASKET EXHAUST SIL. | 2    |                           |             | 0,015 | 1  | 21 | 1  | d1   | 15,379     |
| 8    | 01129000 | EXHAUST SILENCER    | 1    |                           |             | 3,300 | 1  | 21 | 1  |      | 1263,9445  |
| 9    | 50292600 | STUD M 8X180        | 4    | 8 x 185 DIN 835-8.8       |             | 0,085 | 4  | 21 | 1  |      | 20,0655    |
| 10   | 01139500 | GUARD               | 1    |                           |             | 0,305 | 1  | 21 | 2  |      | 151,6515   |
| 11   | 50148100 | FLAT WASHER 8,4     | 4    | 8,4 DIN 125-St A3C        |             | 0,002 | 4  | 11 | 1  |      | 0,455      |
| 12   | 03829100 | EXHAUST FLGE.R1 1/4 | 1    | R 1 1/4                   |             | 0,250 | 1  | 21 | 4  |      | 269,36     |
| 13   | 00872200 | EXHAUST SIL. R1 1/4 | 1    | R 1 1/4                   |             | 0,650 | 1  | 21 | 4  |      | 162,7535   |
| 14   | 50327200 | HEXSCREW M10X 25    | 2    | M 10 x 25 DIN 933-8.8 C4P |             | 0,026 | 4  | 21 | 4  |      | 2,912      |
| 15   | 50135600 | SPRING WASHER 10    | 2    | 10 DIN 128 A3C            |             | 0,002 | 4  | 21 | 1  |      | 0,455      |
| 16   | 01139700 | EXHAUST ELBOW       | 1    |                           |             | 0,555 | 1  | 21 | 4  |      | 458,185    |
| 17   | 50323100 | EXHAUST PIPE FLEXIB | 1    |                           |             | 0,537 | 4  | 21 | 4  |      | 1144,7345  |
| 18   | 01050700 | EXHAUST SILENCER    | 1    |                           |             | 3,800 | 1  | 21 | 4  |      | 959,0945   |
| 19   | 50339800 | PIPE CLIP           | 1    | 883-7A3C                  |             | 0,100 | 4  | 21 | 4  |      | 25,7985    |
| 20   | 03848500 | BUSH                | 1    |                           |             | 0,100 | 1  | 21 | 4  |      | 33,4425    |
| J    | 50283004 | HIGH TEMP.PASTE     | 1    |                           |             | 0,110 | 4  | 12 | 0  |      | 71,617     |
|      |          |                     |      |                           |             |       |    |    |    |      |            |
|      |          |                     |      |                           |             |       |    |    |    |      |            |
|      |          |                     |      |                           |             |       |    |    |    |      |            |
|      |          |                     |      |                           |             |       |    |    |    |      |            |
|      |          |                     |      |                           |             |       |    |    |    |      |            |
|      |          |                     |      |                           |             |       |    |    |    |      |            |
|      |          |                     |      |                           |             |       |    |    |    |      |            |
|      |          |                     |      |                           |             |       |    |    |    |      |            |
|      |          |                     |      |                           |             |       |    |    |    |      |            |
|      |          |                     |      |                           |             |       |    |    |    |      |            |
|      |          |                     |      |                           |             |       |    |    |    |      |            |
|      |          |                     |      |                           |             |       |    |    |    |      |            |



**ORYGINALNE CZĘŚCI ZAMIENNE SERWIS GWARANCYJNY I POGWARANCYJNY WYMIARY  
SERWISOWE ORAZ KATALOGI CZĘŚCI ZAMIENNYCH NA STRONIE WWW.WOBIS.PL/SERWIS**

| Pos. | Part no. | Description         | Qty.   | Notice                        | Add. notice | kg    | EA | TA | DA | dDPW  | List price |
|------|----------|---------------------|--------|-------------------------------|-------------|-------|----|----|----|-------|------------|
| 2    | 50383700 | HEXSCREW M 6X 55    | 2      | M 6 x 55 DIN 931-8.8 A3C      |             | 0,013 | 4  | 11 | 1  |       | 2,2295     |
| 3    | 50165400 | ALL.SCR.M 8X 16     | 2      | M 8 x 16 DIN 912-8.8 A3C      |             | 0,009 | 4  | 21 | 1  |       | 2,6845     |
| 4    | 50283811 | REGULATOR 12VOLTS   | 1      | 12V                           |             | 0,349 | 4  | 21 | 1  |       | 515,7425   |
| 4    | 50364500 | REGULATOR 24 V      | 1      | 24V                           |             | 0,365 | 4  | 21 | 4  |       | 928,1545   |
| 5    | 03958100 | CONSOLE F.REGULATOR | 1      |                               |             | 0,315 | 1  | 21 | 1  |       | 110,019    |
| 6    | 50316402 | EL.STARTER 12V1,8KW | 1      | part was replaced by 50496700 |             | 3,815 | 0  | 21 | 0  |       |            |
| 6    | 50364400 | EL.STARTER 24V2,5KW | 1      |                               |             | 5,970 | 4  | 21 | 5  |       | 4012,099   |
| 7    | 50093400 | ALL.SCR.M10X 30     | 2      | M 10 x 30 DIN 912-8.8 A3C     |             | 0,028 | 4  | 21 | 1  |       | 3,6855     |
| 8    | 04039100 | PROTECTION CAP      | 1      |                               |             | 0,002 | 1  | 11 | 1  |       | 4,823      |
| 9    | 50293500 | SECURITY PLATE      | 1      |                               |             | 0,003 | 1  | 21 | 1  |       | 9,191      |
| 10   | 50144500 | FLAT WASHER 6,4     | 3      | 6,4 DIN 125-St A3C            |             | 0,001 | 4  | 11 | 1  |       | 0,455      |
| 11   | 50144400 | HEXAGON NUT M 6     | 3      | M 6 DIN 934 - 8 A3C           |             | 0,002 | 4  | 11 | 1  |       | 1,2285     |
| 12   | 50323900 | ALL.SCR.M 6X 30     | 5      | M 6 x 30 DIN 912-8.8 A3C      |             | 0,009 | 4  | 11 | 1  |       | 2,2295     |
| 13   | 03792200 | GEARRING            | 1      |                               |             | 0,943 | 1  | 21 | 1  |       | 408,7265   |
| 14   | 50292810 | ALTERNATOR 12V 280W | 1      | 12V, 280 W                    |             | 1,642 | 4  | 21 | 1  |       | 528,619    |
| 15   | 50000900 | JOINT A8X11,5       | 6      | A 8 x 11,5 DIN 7603-Cu        |             | 0,001 | 4  | 11 | 1  | D5,d2 | 0,455      |
| 16   | 03790100 | BUSH 8,4X12X10      | 1... 2 | 8,4 x 12 x 10                 |             | 0,005 | 1  | 11 | 1  |       | 9,6005     |
| 17   | 50293810 | OIL PRESSURE SWITCH | 1      | OIL                           |             | 0,028 | 4  | 21 | 1  |       | 39,1755    |
| 18   | 50144500 | FLAT WASHER 6,4     | 2      | 6,4 DIN 125-St A3C            |             | 0,001 | 4  | 11 | 1  |       | 0,455      |
| 19   | 50144400 | HEXAGON NUT M 6     | 2      | M 6 DIN 934 - 8 A3C           |             | 0,002 | 4  | 11 | 1  |       | 1,2285     |
| 20   | 50145900 | FLAT WASHER 10,5    | 2      | B 10,5 DIN 125-St A3C         |             | 0,004 | 4  | 11 | 1  |       | 1,4105     |
| 21   | 03932100 | INTERMEDIATE PIECE  | 1      |                               |             | 0,028 | 1  | 21 | 1  |       | 27,0725    |
| 22   | 03790001 | BANJO BOLT          | 1      |                               |             | 0,027 | 9  | 21 | 0  |       | 34,7165    |
| 23   | 50033300 | HEXSCREW M 8X1X12   | 1      | M8 x 1 x 12 DIN 961-8.8 A3C   |             | 0,010 | 4  | 11 | 1  |       | 2,3205     |
| 24   | 50329400 | PROTECTION CAP      | 1      |                               |             | 0,003 | 4  | 21 | 1  |       | 9,0545     |
| 25   | 03926200 | SUPPORT             | 1      |                               |             | 0,013 | 1  | 21 | 1  |       | 6,643      |
|      |          |                     |        |                               |             |       |    |    |    |       |            |
|      |          |                     |        |                               |             |       |    |    |    |       |            |
|      |          |                     |        |                               |             |       |    |    |    |       |            |

1(2-18,20,23-34)

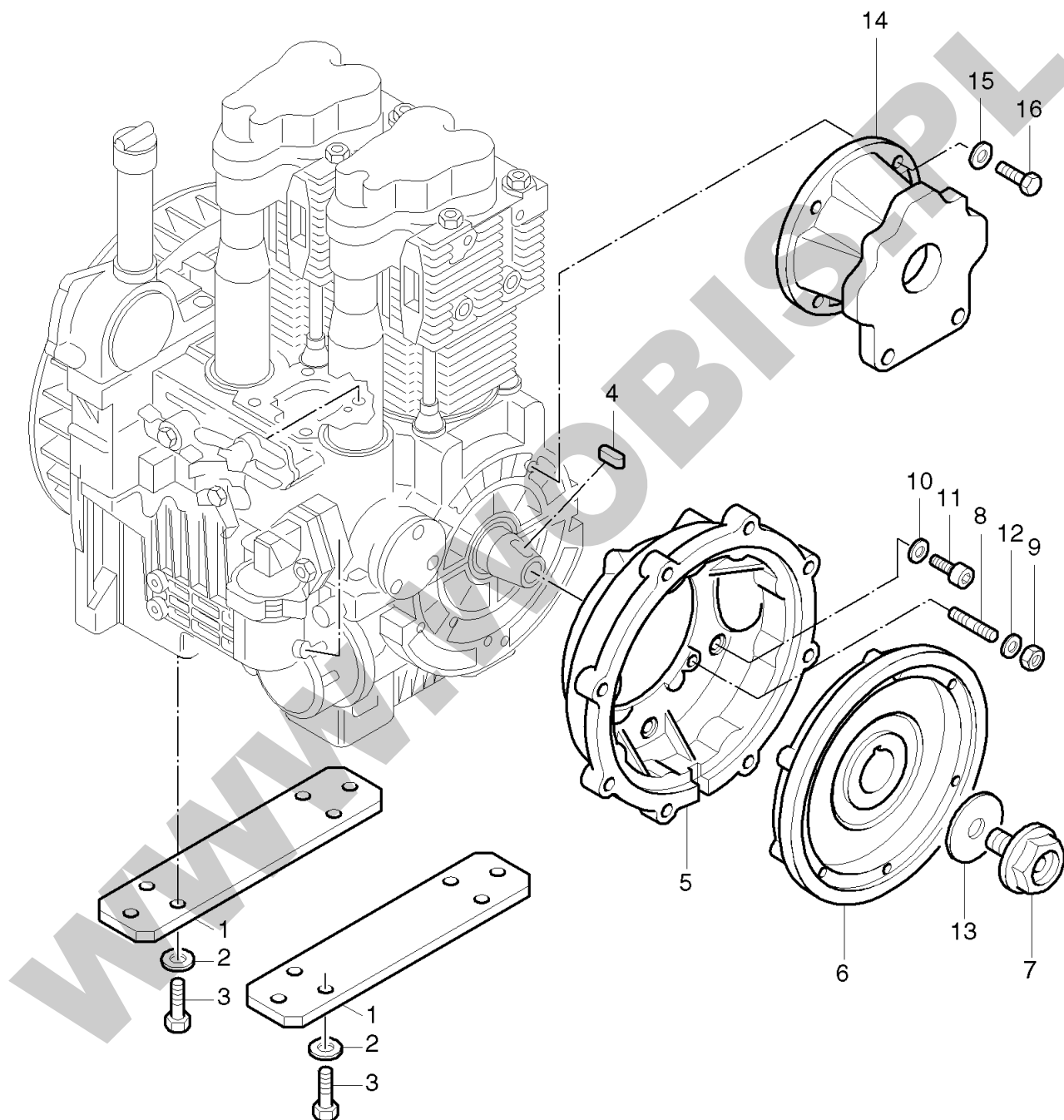


**ORYGINALNE CZĘŚCI ZAMIENNE SERWIS GWARANCYJNY I POGWARANCYJNY WYMIARY  
SERWISOWE ORAZ KATALOGI CZĘŚCI ZAMIENNYCH NA STRONIE WWW.WOBIS.PL/SERWIS**

| Pos. | Part no. | Description         | Qty. | Notice                    | Add. notice | kg    | EA | TA | DA | dDPW | List price |
|------|----------|---------------------|------|---------------------------|-------------|-------|----|----|----|------|------------|
| 1    | 01112802 | INSTRUMENT BOX 12V  | 1    |                           |             | 1,790 | 1  | 21 | 0  |      |            |
| 2    | 40028200 | HEX.NUT M 5         | 2    | M 5 DIN 980-8 C3A         |             | 0,002 | 4  | 11 | 1  |      | 2,6845     |
| 3    | 00716311 | INSTRUMENT BOX      | 1    |                           |             | 0,760 | 1  | 21 | 2  |      | 210,0735   |
| 4    | 50289200 | HEXSCREW M 6X 12    | 4    | M 6 x 12 KZ 1-8.8 A3D     |             | 0,005 | 4  | 11 | 1  |      | 1,8655     |
| 5    | 50160800 | CLOSING PLUG 10MM   | 2    | F 5 14x10,7x7,5 SCHW.     |             | 0,001 | 4  | 11 | 1  |      | 2,3205     |
| 6    | 50159011 | MALE CABLE COUPLING | 1    | NH 13,5                   |             | 0,010 | 4  | 21 | 2  |      | 26,2535    |
| 7    | 50049300 | FILL.HEAD SCR.M5X10 | 4    | M 5 x 10 DIN 7985-8.8 A3R |             | 0,003 | 4  | 11 | 1  |      | 2,2295     |
| 8    | 50159100 | HEXAGON NUT CE 13 M | 1    | CE 13 M                   |             | 0,001 | 4  | 11 | 1  |      | 5,7785     |
| 9    | 50160700 | CONNECTING BLOCK    | 1    |                           |             | 0,150 | 4  | 21 | 2  |      | 78,169     |
| 10   | 50158800 | ALL.SCR. M 4X 20    | 2    | M 4 x 20 DIN 84 - 4.8 A3C |             | 0,003 | 4  | 21 | 2  |      | 1,4105     |
| 11   | 03666700 | BRACKET             | 2    |                           |             | 0,015 | 1  | 21 | 2  |      | 12,3305    |
| 12   | 50147100 | HEXAGON NUT M 4     | 2    | M4 DIN 934 - 8 A3C        |             | 0,001 | 4  | 11 | 1  |      | 0,455      |
| 13   | 05004300 | MARK                | 1    |                           |             | 0,001 | 1  | 21 | 2  |      | 5,369      |
| 14   | 50276502 | GLOW START.SWITCH   | 1    |                           |             | 0,191 | 4  | 21 | 2  |      | 287,105    |
| 15   | 50345300 | SWITCH BOX KEY      | 1    | 14603                     |             | 0,004 | 4  | 12 | 1  | P1   | 28,847     |
| 16   | _noorder | No single order     | -    |                           |             |       |    |    |    |      |            |
| 17   | _noorder | No single order     | -    |                           |             |       |    |    |    |      |            |
| 18   | _noorder | No single order     | -    |                           |             |       |    |    |    |      |            |
| 19   | 40068600 | GLOW CONTROLLER     | 1    |                           |             | 0,112 | 4  | 21 | 2  |      | 128,128    |
| 20   | 50176500 | INDICATOR LAMP BAT  | 1    | BATT.                     |             | 0,012 | 4  | 21 | 2  |      | 25,0705    |
| 21   | 50176600 | INDICATOR LAMP OIL  | 1    | OIL                       |             | 0,012 | 4  | 21 | 2  |      | 25,0705    |
| 22   | 50176400 | INDICATOR LAMP TEMP | 1    | TEMP.                     |             | 0,012 | 4  | 21 | 2  |      | 25,0705    |
| 23   | 01090201 | DIODE CPL.          | 1    |                           |             | 0,003 | 1  | 21 | 2  |      | 16,835     |
| 24   | 40096000 | CLOSING PLUG        | 2    | F17 SCHW.                 |             | 0,002 | 4  | 11 | 1  |      | 2,3205     |
| 25   | 03509211 | FRONT PART          | 1    |                           |             | 0,320 | 1  | 21 | 2  |      | 93,457     |
| 26   | 40009700 | BULB 12V-2W         | 3    | 12 V - 2 W                |             | 0,002 | 4  | 21 | 2  |      | 8,099      |
| 27   | 40091400 | CLOSING CAP         | 2    | F24 SCHW.                 |             | 0,004 | 4  | 21 | 2  |      | 3,6855     |
| 28   | 01150101 | DIODE CPL.          | 1    |                           |             | 0,005 | 1  | 21 | 2  |      | 16,835     |
| 29   | 49050900 | COVER               | 1    |                           |             | 0,016 | 4  | 23 | 1  |      | 42,9065    |
| 30   | 50276600 | PLUG SLEEVE HOUSING | 1    | 4 - P                     |             | 0,006 | 4  | 21 | 2  |      | 10,01      |



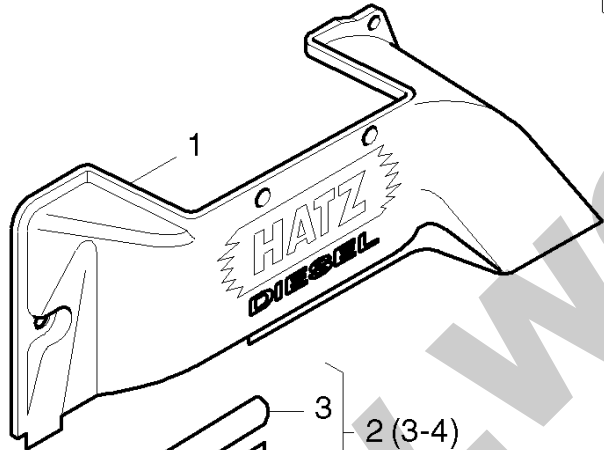
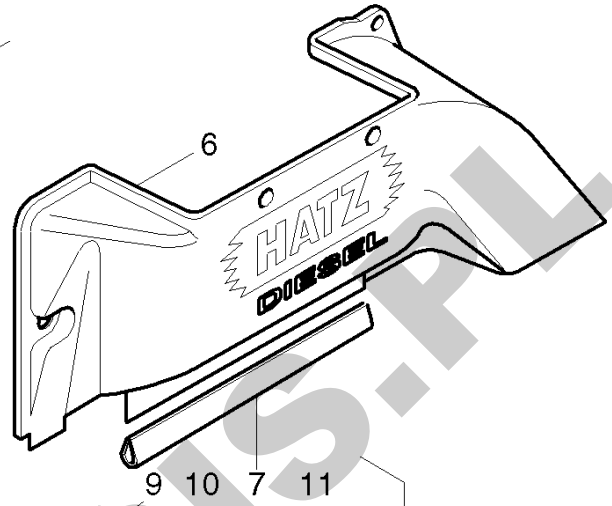




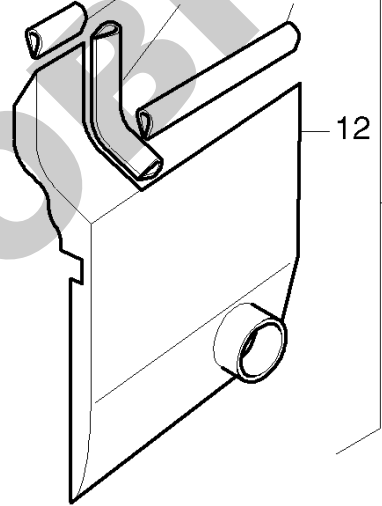


Starter  
Starter  
Démarreur 24V  
Arrancador  
Motorino avviamento

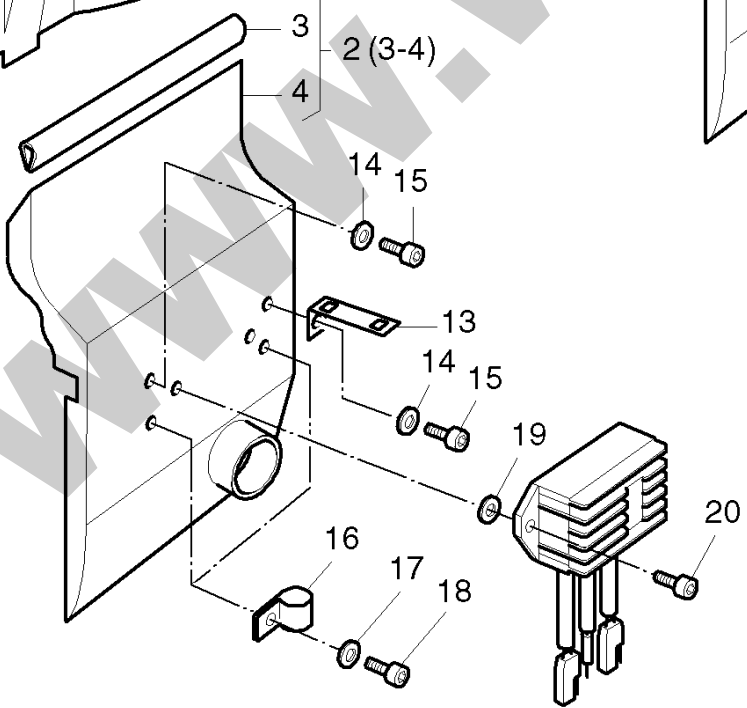
5 (6-7)



8 (9-12)

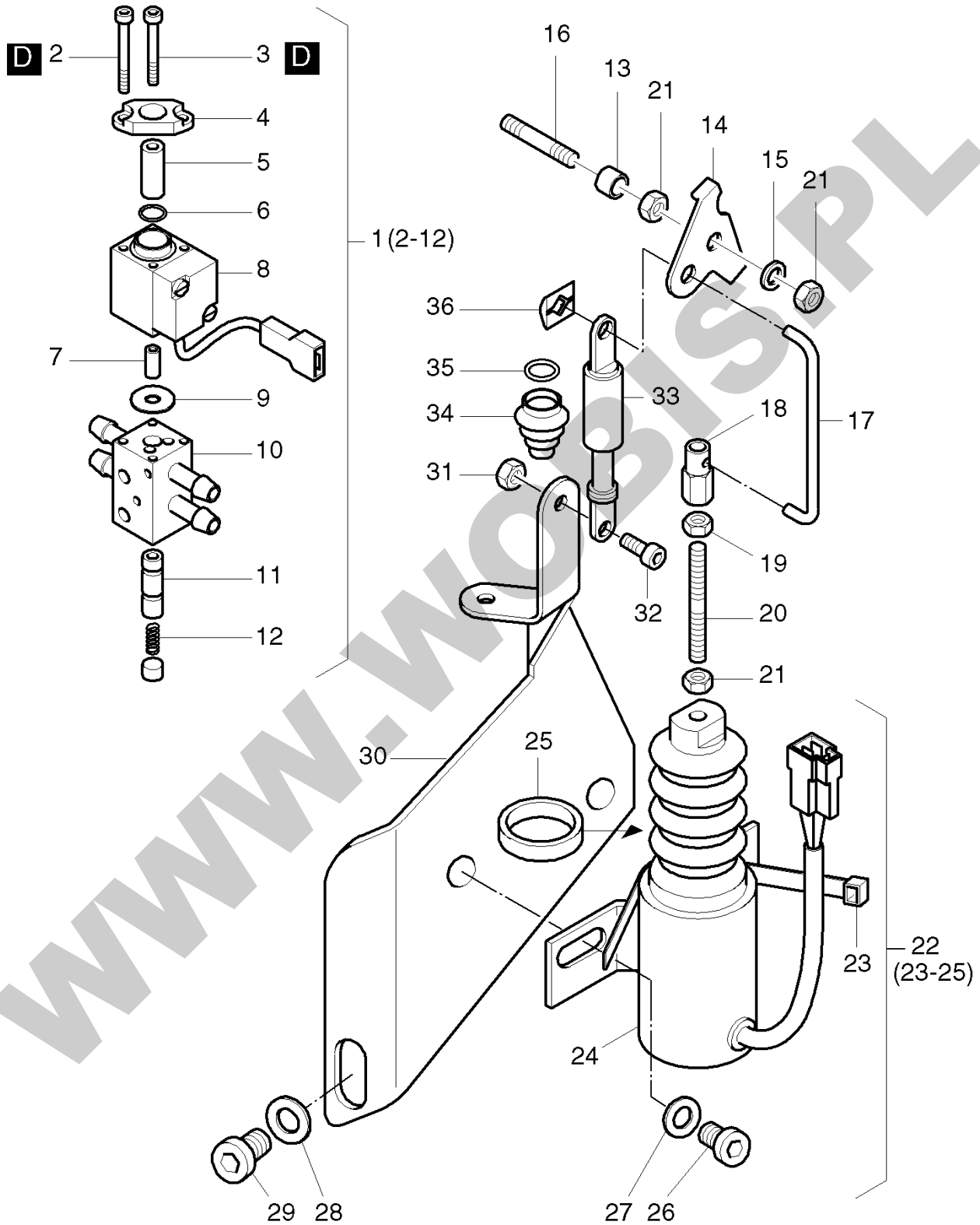


Starter  
Starter  
Démarreur 24V  
Arrancador  
Motorino avviamento



**ORYGINALNE CZĘŚCI ZAMIENNE SERWIS GWARANCYJNY I POGWARANCYJNY WYMIARY  
SERWISOWE ORAZ KATALOGI CZĘŚCI ZAMIENNYCH NA STRONIE WWW.WOBIS.PL/SERWIS**

| Pos. | Part no. | Description       | Qty. | Notice                        | Add. notice | kg    | EA | TA | DA | dDPW | List price |
|------|----------|-------------------|------|-------------------------------|-------------|-------|----|----|----|------|------------|
| 1    | 03995900 | AIR GUIDE         | 1    | part was replaced by 01437500 |             | 0,300 | 0  | 21 | 1  |      |            |
| 2    | 01437600 | COOLING AIR DUCT  | 1    | part was replaced by 01437601 |             | 0,000 | 0  | 21 | 7  |      |            |
| 3    | 03999900 | SEALING STRIP     | 1    | 200 mm                        |             | 0,035 | 1  | 21 | 1  |      | 13,195     |
| 4    | _noorder | No single order   | -    |                               |             |       |    |    |    |      |            |
| 5    | 01437500 | AIR GUIDE         | 1    |                               |             | 0,400 | 1  | 21 | 4  |      | 322,049    |
| 6    | _noorder | No single order   | -    |                               |             |       |    |    |    |      |            |
| 7    | 05007000 | SEALING STRIP 190 | 1    | 190 mm                        |             | 0,032 | 1  | 21 | 4  |      | 13,104     |
| 8    | 01440000 | COOLING AIR DUCT  | 1    |                               |             | 0,460 | 0  | 21 | 7  |      |            |
| 9    | 05007300 | SEALING STRIP 48  | 1    | 48 mm                         |             | 0,004 | 1  | 11 | 1  |      | 9,191      |
| 10   | 05007200 | SEALING STRIP 115 | 1    | 115 mm                        |             | 0,020 | 1  | 21 | 4  |      | 9,828      |
| 11   | 05007100 | SEALING STRIP 160 | 1    | 160 mm                        |             | 0,027 | 1  | 21 | 4  |      | 12,1485    |
| 12   | _noorder | No single order   | -    |                               |             |       |    |    |    |      |            |
| 13   | 05006700 | SUPPORT           | 1    |                               |             | 0,015 | 1  | 21 | 1  |      | 17,2445    |
| 14   | 50144500 | FLAT WASHER 6,4   | 2    | 6,4 DIN 125-St A3C            |             | 0,001 | 4  | 11 | 1  |      | 0,455      |
| 15   | 50177100 | HEXSCREW M 6X 16  | 2    | M 6 x 16 DIN 933-8.8 A3C      |             | 0,005 | 4  | 11 | 1  |      | 1,4105     |
| 16   | 50158400 | PIPE CLIP 14/15   | 2    | 14 / 15                       |             | 0,012 | 4  | 21 | 1  |      | 8,554      |
| 17   | 50144500 | FLAT WASHER 6,4   | 2    | 6,4 DIN 125-St A3C            |             | 0,001 | 4  | 11 | 1  |      | 0,455      |
| 18   | 50170700 | ALL.SCR.M 6 X 16  | 2    | M 6 x 16 DIN 912-8.8 A3C      |             | 0,006 | 4  | 11 | 1  |      | 1,729      |
| 19   | 50148100 | FLAT WASHER 8,4   | 2    | 8,4 DIN 125-St A3C            |             | 0,002 | 4  | 11 | 1  |      | 0,455      |
| 20   | 50165400 | ALL.SCR.M 8X 16   | 2    | M 8 x 16 DIN 912-8.8 A3C      |             | 0,009 | 4  | 21 | 1  |      | 2,6845     |
|      |          |                   |      |                               |             |       |    |    |    |      |            |
|      |          |                   |      |                               |             |       |    |    |    |      |            |
|      |          |                   |      |                               |             |       |    |    |    |      |            |
|      |          |                   |      |                               |             |       |    |    |    |      |            |
|      |          |                   |      |                               |             |       |    |    |    |      |            |
|      |          |                   |      |                               |             |       |    |    |    |      |            |
|      |          |                   |      |                               |             |       |    |    |    |      |            |
|      |          |                   |      |                               |             |       |    |    |    |      |            |
|      |          |                   |      |                               |             |       |    |    |    |      |            |
|      |          |                   |      |                               |             |       |    |    |    |      |            |
|      |          |                   |      |                               |             |       |    |    |    |      |            |



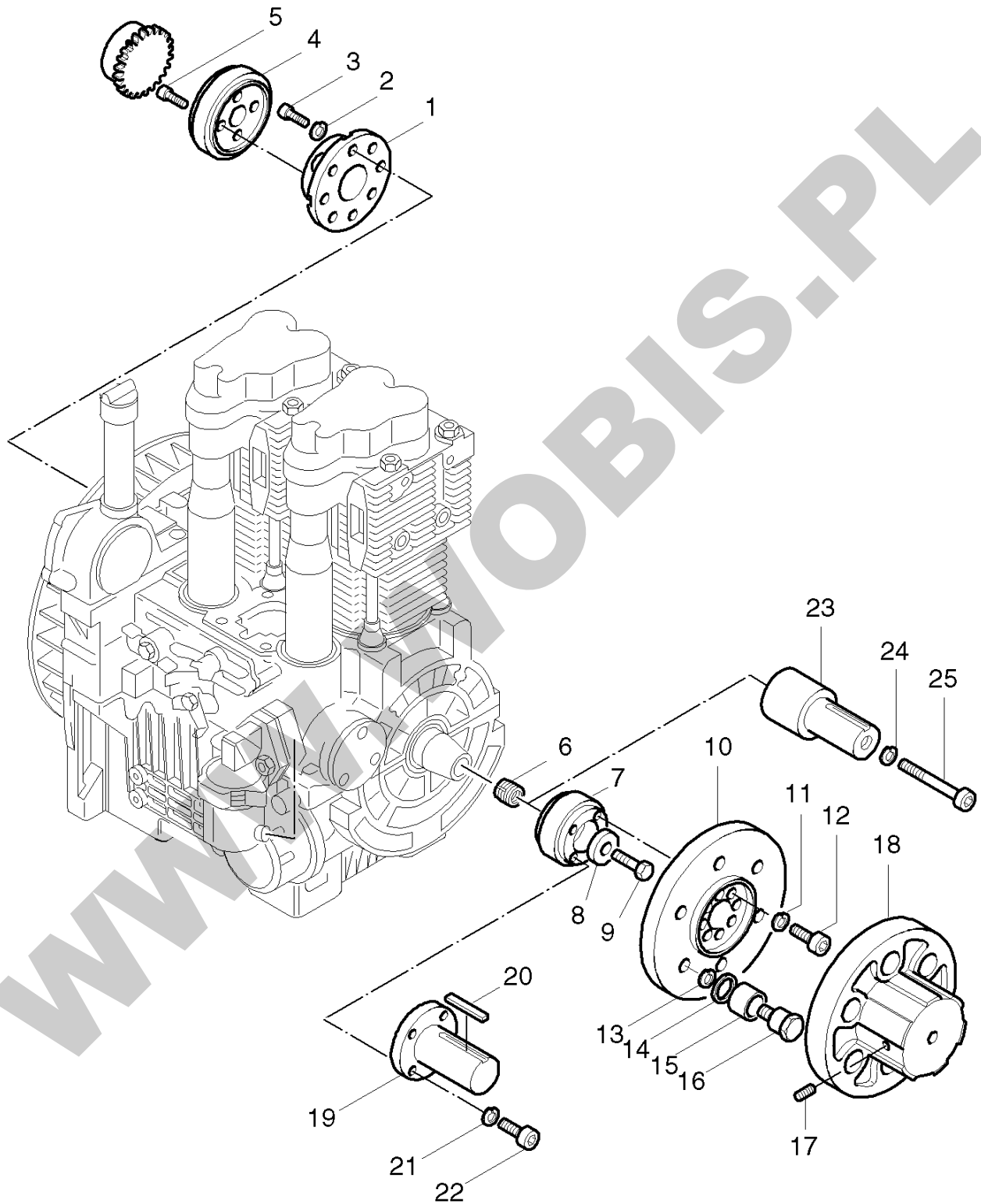
**ORYGINALNE CZĘŚCI ZAMIENNE SERWIS GWARANCYJNY I POGWARANCYJNY WYMIARY  
SERWISOWE ORAZ KATALOGI CZĘŚCI ZAMIENNYCH NA STRONIE WWW.WOBIS.PL/SERWIS**

| Pos. | Part no. | Description         | Qty. | Notice                                       | Add. notice | kg    | EA | TA | DA | dDPW | List price |
|------|----------|---------------------|------|--|-------------|-------|----|----|----|------|------------|
| 1    | 01178100 | SHUT-OFF VALVE 12V  | 1    | 12V<br>part was replaced by 01762400         |             | 0,230 | 0  | 21 | 4  |      |            |
| 1    | 01195400 | SHUT-OFF VALVE 24V  | 1    | 24V<br>part was replaced by 01762500         |             | 0,232 | 0  | 21 | 4  |      |            |
| 2    | 50354700 | ALL.SCR.M 4X45      | 2    | M 4 x 45 DIN 933-8.8 C4P                     |             | 0,005 | 4  | 21 | 4  |      | 2,6845     |
| 3    | 50269900 | ALL.SCR.M 4X35      | 2    | M 4 x 35 DIN 912-8.8 A3C                     |             | 0,004 | 4  | 21 | 4  |      | 2,3205     |
| 4    | 03955000 | COVER               | 1    |  |             | 0,009 | 1  | 21 | 4  |      |            |
| 5    | 03956100 | SOLENOID PLUNGER    | 1    |  |             | 0,013 | 1  | 21 | 2  |      | 128,765    |
| 6    | 50275000 | O-RING 14X1,78      | 1    | 14 x 1,78                                    |             | 0,001 | 4  | 11 | 1  | D8   | 3,185      |
| 7    | _noorder | No single order     | -    |  |             |       |    |    |    |      |            |
| 8    | 03954802 | MAGNET VALVE 12V    | 1    | 12 V - 14 W<br>part was replaced by 03954803 |             | 0,000 | 0  | 21 | 7  |      |            |
| 8    | 03967602 | MAGNET VALVE 24V14W | 1    | 24 V - 14 W                                  |             | 0,107 | 1  | 21 | 5  |      | 618,2995   |
| 9    | 03959300 | JOINT WASHER        | 1    |  |             | 0,001 | 1  | 21 | 2  |      | 3,276      |
| 10   | _noorder | No single order     | -    |  |             |       |    |    |    |      |            |
| 11   | _noorder | No single order     | -    |  |             |       |    |    |    |      |            |
| 12   | _noorder | No single order     | -    |  |             |       |    |    |    |      |            |
| 13   | 04021000 | BUSH 6,3X12X5       | 1    | 6,3 x 12 x 5                                 |             | 0,003 | 1  | 21 | 1  |      | 4,186      |
| 14   | 05063900 | LEVER F.LFTG.MAGN.  | 1    |  |             | 0,021 | 9  | 21 | 0  |      | 38,857     |
| 15   | 50170900 | SPRING WASHER 6     | 1    | 6 DIN 128 - A3C                              |             | 0,001 | 4  | 11 | 1  |      | 0,455      |
| 16   | 50448901 | GRUB SCREW M 6X 30  | 1    | M 6 x 30 DIN 913 22 H A3C Tuf. 360 G         |             | 0,005 | 4  | 11 | 1  |      | 6,188      |
| 17   | 05063800 | ROD F.LFTG.MAGNET   | 1    |  |             | 0,021 | 1  | 21 | 2  |      | 13,923     |
| 18   | 05064010 | YOKE END            | 1    | left   |             | 0,011 | 1  | 21 | 2  |      | 17,5175    |
| 19   | 50446700 | HEX.NUT M 6         | 1    | M6 DIN 934 - 8 A3C "links" à gauche left     |             | 0,003 | 4  | 21 | 2  |      | 1,1375     |
| 20   | 05094600 | STUD M6             | 1    | M6 LINKSGEWINDE                              |             | 0,010 | 1  | 21 | 2  |      | 15,0605    |
| 21   | 50144400 | HEXAGON NUT M 6     | 3    | M 6 DIN 934 - 8 A3C                          |             | 0,002 | 4  | 11 | 1  |      | 1,2285     |
| 22   | 01509010 | LFTG.MGNT.SPEED 12V | 1    | 12 V   |             | 0,760 | 1  | 22 | 2  |      | 750,4315   |
| 22   | 01509110 | LFTG.MGNT.SPEED 24V | 1    | 24 V   |             | 0,710 | 1  | 22 | 4  |      | 767,039    |
| 23   | 50167400 | STRAP               | 1    | 4 / 360 SCHWARZ                              |             | 0,003 | 4  | 21 | 1  |      | 1,911      |
| 24   | _noorder | No single order     | -    |  |             |       |    |    |    |      |            |
| 25   | 05063700 | SEALING RING        | 1    |  |             | 0,001 | 1  | 21 | 2  |      | 5,733      |

**ORYGINALNE CZĘŚCI ZAMIENNE SERWIS GWARANCYJNY I POGWARANCYJNY WYMIARY  
SERWISOWE ORAZ KATALOGI CZĘŚCI ZAMIENNYCH NA STRONIE WWW.WOBIS.PL/SERWIS**

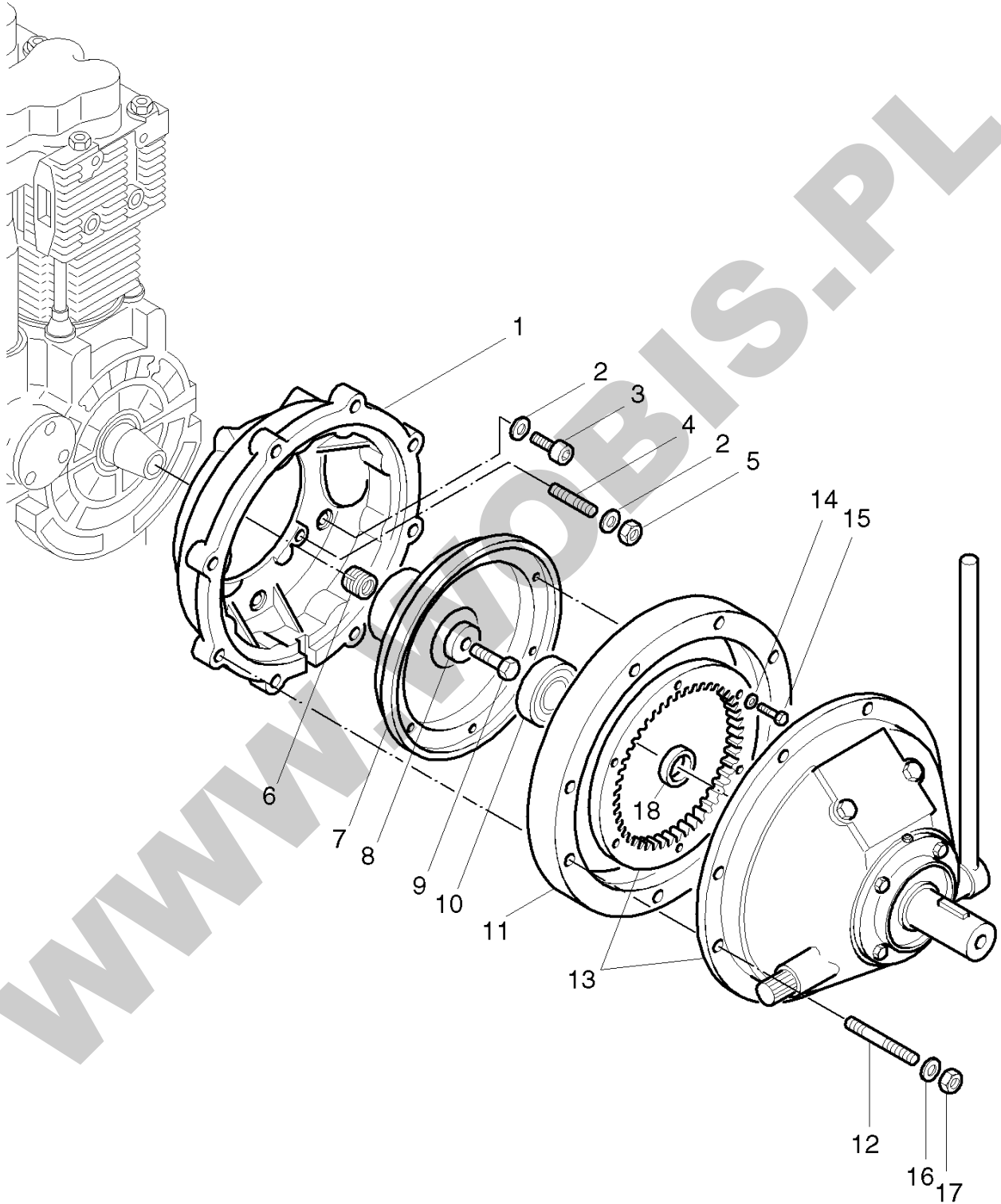
| Pos. | Part no. | Description         | Qty. | Notice                        | Add. notice | kg    | EA | TA | DA | dDPW | List price |
|------|----------|---------------------|------|-------------------------------|-------------|-------|----|----|----|------|------------|
| 26   | 50149100 | ALLEN SCREW M 6X 12 | 2    | M 6 x 12 DIN 912-8.8 A3C      |             | 0,005 | 4  | 11 | 1  |      | 1,092      |
| 27   | 50144500 | FLAT WASHER 6,4     | 2    | 6,4 DIN 125-St A3C            |             | 0,001 | 4  | 11 | 1  |      | 0,455      |
| 28   | 50135600 | SPRING WASHER 10    | 1    | 10 DIN 128 A3C                |             | 0,002 | 4  | 21 | 1  |      | 0,455      |
| 29   | 50290300 | ALL.SCR. M10X25     | 1    | M 10 x 25 DIN 912 - 8.8 A3C   |             | 0,026 | 4  | 21 | 2  |      | 3,458      |
| 30   | 01516900 | CONSOL F.LFTG.MAGNT | 1    | part was replaced by 01688600 |             | 0,000 | 0  | 21 | 7  |      |            |
| 31   | 50144400 | HEXAGON NUT M 6     | 1    | M 6 DIN 934 - 8 A3C           |             | 0,002 | 4  | 11 | 1  |      | 1,2285     |
| 32   | 50323800 | ALL.SCREW M 6X 16   | 1    | M 6 x 16 DIN 6912-8.8 A3C     |             | 0,005 | 4  | 11 | 1  |      | 3,003      |
| 33   | 50431300 | ABSORBER            | 1    | part was replaced by 50514900 |             | 0,000 | 0  | 21 | 0  |      |            |
| 34   | 50180400 | BELLOW              | 1    | V6 - 1008                     |             | 0,002 | 4  | 21 | 2  |      | 23,0685    |
| 35   | 50225501 | O-RING 14X3         | 1    | 14 x 3                        |             | 0,001 | 4  | 21 | 0  |      | 8,099      |
| 36   | 50365600 | CIRCLIP DUO 6       | 2    |                               |             | 0,001 | 4  | 21 | 2  |      | 5,3235     |
| D    | 50223300 | LOCTITE 221         | 1    | 50 ML                         |             | 0,077 | 4  | 12 | 0  |      | 99,0535    |
|      |          |                     |      |                               |             |       |    |    |    |      |            |
|      |          |                     |      |                               |             |       |    |    |    |      |            |
|      |          |                     |      |                               |             |       |    |    |    |      |            |
|      |          |                     |      |                               |             |       |    |    |    |      |            |
|      |          |                     |      |                               |             |       |    |    |    |      |            |
|      |          |                     |      |                               |             |       |    |    |    |      |            |
|      |          |                     |      |                               |             |       |    |    |    |      |            |
|      |          |                     |      |                               |             |       |    |    |    |      |            |
|      |          |                     |      |                               |             |       |    |    |    |      |            |
|      |          |                     |      |                               |             |       |    |    |    |      |            |
|      |          |                     |      |                               |             |       |    |    |    |      |            |
|      |          |                     |      |                               |             |       |    |    |    |      |            |
|      |          |                     |      |                               |             |       |    |    |    |      |            |
|      |          |                     |      |                               |             |       |    |    |    |      |            |
|      |          |                     |      |                               |             |       |    |    |    |      |            |
|      |          |                     |      |                               |             |       |    |    |    |      |            |
|      |          |                     |      |                               |             |       |    |    |    |      |            |
|      |          |                     |      |                               |             |       |    |    |    |      |            |
|      |          |                     |      |                               |             |       |    |    |    |      |            |
|      |          |                     |      |                               |             |       |    |    |    |      |            |





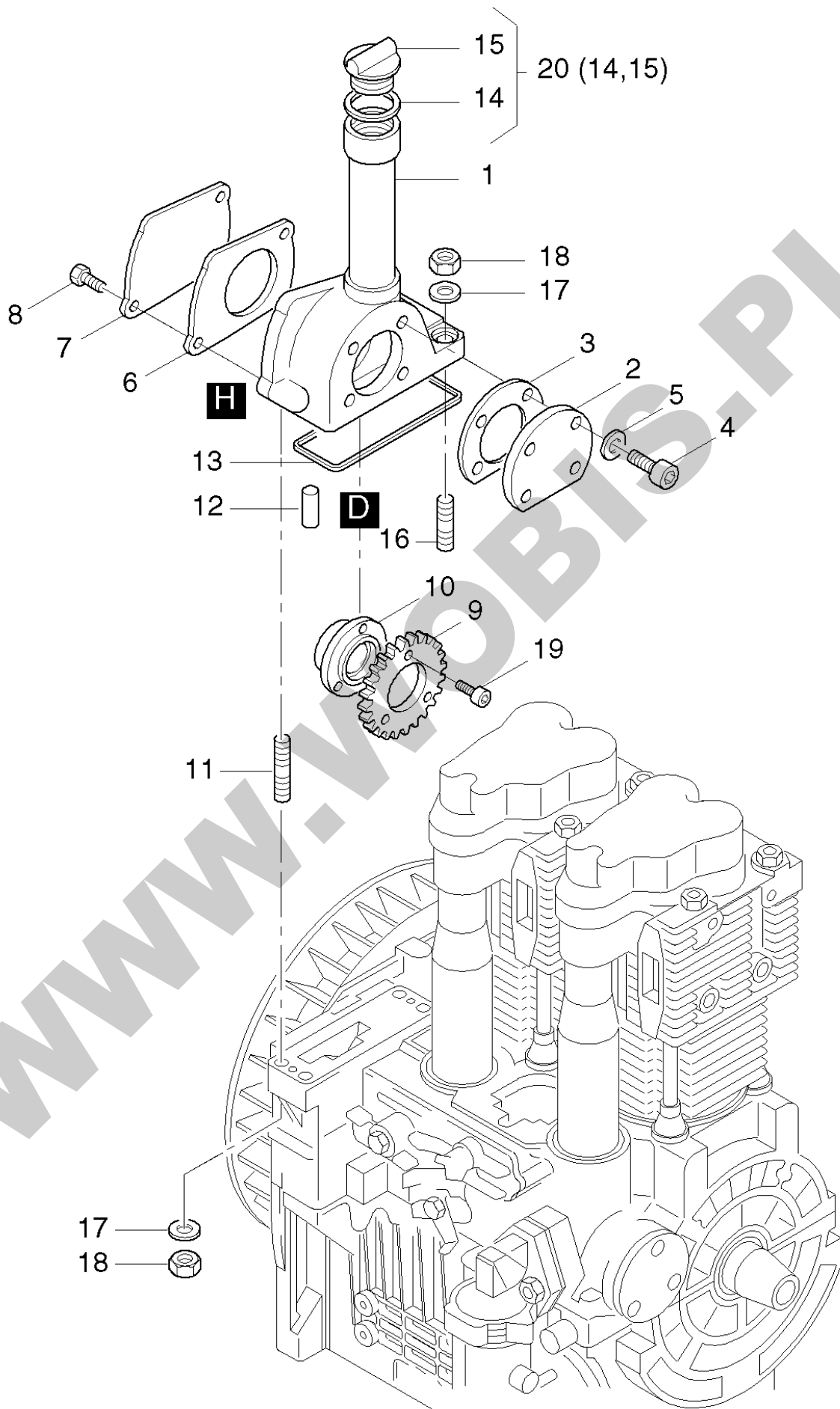
**ORYGINALNE CZĘŚCI ZAMIENNE SERWIS GWARANCYJNY I POGWARANCYJNY WYMIARY  
SERWISOWE ORAZ KATALOGI CZĘŚCI ZAMIENNYCH NA STRONIE WWW.WOBIS.PL/SERWIS**

| Pos. | Part no. | Description         | Qty. | Notice  | Add. notice | kg    | EA | TA | DA | dDPW | List price |
|------|----------|---------------------|------|---|-------------|-------|----|----|----|------|------------|
| 1    | 03930900 | CENTERING FLANGE    | 1    | ø 70mm  |             | 1,270 | 1  | 21 | 2  |      | 569,7055   |
| 2    | 50208500 | SPRING WASHER 8     | 4    | 8 DIN 128 A3C                                   |             | 0,001 | 4  | 11 | 1  | P2   | 1,4105     |
| 3    | 50171500 | ALL.SCR.M 8X 25     | 4    | M 8 x 25 DIN 912-8.8 A3C                        |             | 0,015 | 4  | 11 | 1  |      | 2,457      |
| 4    | 50345100 | COUPLING SHELL      | 1    | 48 FLE-PA                                       |             | 0,215 | 4  | 21 | 4  |      | 203,7035   |
| 5    | 50054000 | ALL.SCR.M10X 25     | 4    | M 10 x 25 DIN 6912 - 8.8                        |             | 0,020 | 4  | 11 | 4  |      | 4,732      |
| 6    | 50333900 | THREAD.BUSH M18X1,5 | 1    | M10 - M 18 x 1,5                                |             | 0,025 | 4  | 21 | 2  |      | 17,836     |
| 7    | 03946500 | CENTERING FLANGE    | 1    |   |             | 1,165 | 1  | 21 | 4  |      | 382,928    |
| 8    | 03928910 | WASHER 11X37,5X9    | 1    | 11 x 37,5 x 9                                   |             | 0,080 | 1  | 21 | 2  |      | 39,6305    |
| 9    | 50029600 | HEXSCREW M10X 45    | 1    | M 10 x 45 DIN 933-8.8 A3C                       |             | 0,036 | 4  | 21 | 1  |      | 3,9585     |
| 10   | 03115000 | INTERMEDIATE FLANGE | 1    |   |             | 3,395 | 1  | 21 | 4  |      | 783,328    |
| 11   | 50002900 | SPRING WASHER 10    | 4    | A 10 DIN 128                                    |             | 0,002 | 4  | 11 | 1  |      | 1,4105     |
| 12   | 50053800 | ALL.SCR.M10X 25     | 4    | M10 x 25 DIN 912 - 8.8                          |             | 0,026 | 4  | 11 | 4  |      | 3,458      |
| 13   | 50061601 | SPRING WASHER 12    | 6    | VHZ 12  |             | 0,002 | 4  | 21 | 2  |      | 1,2285     |
| 14   | 03079000 | DISC 20,3X26,9X4    | 6    | 20,3 x 26,9 x 4                                 |             | 0,007 | 1  | 21 | 2  |      | 11,648     |
| 15   | 03151000 | RUBBER SHELL        | 6    | SCHLAUCHST                                      |             | 0,015 | 1  | 21 | 2  |      | 13,5135    |
| 16   | 03046900 | TAPPET              | 6    |   |             | 0,090 | 1  | 21 | 2  |      | 34,9895    |
| 17   | 50004600 | GRUB SCREW M 8X16   | 1    | M 8 x 16 DIN 916-45H A3C                        |             | 0,003 | 4  | 11 | 1  |      | 2,912      |
| 18   | 03040500 | P.T.O. FLANGE       | 1    | 12 H 7  |             | 8,000 | 1  | 21 | 2  |      | 734,006    |
| 19   | 03027300 | STUBSHAFT           | 1    | 30 x 110 ZENTR. 70                              |             | 0,817 | 1  | 21 | 4  |      | 434,0245   |
| 20   | 50011700 | FITTINGKEY A 8X7X63 | 1    | A 8 x 7 x 63 DIN 6885                           |             | 0,025 | 4  | 21 | 4  |      | 4,3225     |
| 21   | 50002900 | SPRING WASHER 10    | 4    | A 10 DIN 128                                    |             | 0,002 | 4  | 11 | 1  |      | 1,4105     |
| 22   | 50053800 | ALL.SCR.M10X 25     | 4    | M10 x 25 DIN 912 - 8.8                          |             | 0,026 | 4  | 11 | 4  |      | 3,458      |
| 23   | 03933610 | STUBSHAFT 40 X 80   | 1    |   |             | 1,435 | 1  | 21 | 4  |      | 483,847    |
| 24   | 50146000 | SPRING WASHER 10    | 1    | 10 DIN 7980 Zn<br>part was replaced by 50146001 |             | 0,000 | 0  | 21 | 7  |      |            |
| 25   | 50120500 | ALL.SCR.M10X100     | 1    | M 10 x 100 DIN 912 - 8.8                        |             | 0,070 | 4  | 21 | 4  |      | 8,463      |
|      |          |                     |      |   |             |       |    |    |    |      |            |
|      |          |                     |      |   |             |       |    |    |    |      |            |
|      |          |                     |      |   |             |       |    |    |    |      |            |
|      |          |                     |      |   |             |       |    |    |    |      |            |



**ORYGINALNE CZĘŚCI ZAMIENNE SERWIS GWARANCYJNY I POGWARANCYJNY WYMIARY  
SERWISOWE ORAZ KATALOGI CZĘŚCI ZAMIENNYCH NA STRONIE WWW.WOBIS.PL/SERWIS**

| Pos. | Part no. | Description         | Qty. | Notice                                       | Add. notice | kg     | EA | TA | DA | dDPW   | List price |
|------|----------|---------------------|------|--|-------------|--------|----|----|----|--------|------------|
| 1    | 50295400 | INTERMED.HOUS.SAE 5 | 1    | SAE 5  |             | 2,400  | 1  | 21 | 4  |        | 1339,065   |
| 2    | 50145900 | FLAT WASHER 10,5    | 9    | B 10,5 DIN 125-St A3C                        |             | 0,004  | 4  | 11 | 1  |        | 1,4105     |
| 3    | 50327800 | ALL.SCR.M10X 35     | 5    | M 10 x 35 DIN 912-8.8 A3C                    |             | 0,031  | 4  | 21 | 1  |        | 3,6855     |
| 4    | 50040400 | STUD M10X 25        | 4    | M 10 x 25 DIN 835-8.8                        |             | 0,023  | 4  | 21 | 4  |        | 4,8685     |
| 5    | 50145800 | HEXAGON NUT M 10    | 4    | M 10 DIN 934-8 A3C                           |             | 0,011  | 4  | 11 | 1  |        | 2,002      |
| 6    | 50333900 | THREAD.BUSH M18X1,5 | 1    | M10 - M 18 x 1,5                             |             | 0,025  | 4  | 21 | 2  |        | 17,836     |
| 7    | 03947400 | P.T.O.FLANGE        | 1    |  |             | 4,760  | 1  | 21 | 4  |        | 908,6805   |
| 8    | 03928910 | WASHER 11X37,5X9    | 1    | 11 x 37,5 x 9                                |             | 0,080  | 1  | 21 | 2  |        | 39,6305    |
| 9    | 50029600 | HEXSCREW M10X 45    | 1    | M 10 x 45 DIN 933-8.8 A3C                    |             | 0,036  | 4  | 21 | 1  |        | 3,9585     |
| 10   | 50114200 | GROOV.BALLBEAR 6305 | 1    | 6305 2RS DIN 625                             |             | 0,232  | 4  | 21 | 4  |        | 75,985     |
| 11   | 03680300 | INTERMEDIATE FLANGE | 1    |  |             | 7,100  | 9  | 21 | 0  |        |            |
| 12   | 50145300 | STUD M 10X 65       | 8    | M 10 x 65 DIN 835-8.8 A3C                    |             | 0,046  | 4  | 21 | 4  |        | 14,0595    |
| 13   | 50349300 | CLUTCH BD 110/15    | 1    | BD 110/15 -5-6,5ZOLL                         |             | 20,400 | 4  | 21 | 4  |        | 6071,065   |
| 14   | 50002800 | SPRING WASHER 8     | 6    | 8 DIN 128                                    |             | 0,001  | 4  | 11 | 1  | zzNein | 0,455      |
| 15   | 50027300 | HEXSCREW M 8X 30    | 6    | M 8 x 30 DIN 933-8.8                         |             | 0,015  | 4  | 11 | 4  |        | 2,3205     |
| 16   | 50135600 | SPRING WASHER 10    | 8    | 10 DIN 128 A3C                               |             | 0,002  | 4  | 21 | 1  |        | 0,455      |
| 17   | 50145800 | HEXAGON NUT M 10    | 8    | M 10 DIN 934-8 A3C                           |             | 0,011  | 4  | 11 | 1  |        | 2,002      |
| 18   | 05019900 | SPACER BUSH         | 1    | 25 x 35 x 8<br>part was replaced by 05295900 |             | 0,030  | 1  | 21 | 4  |        | 18,7915    |
|      |          |                     |      |  |             |        |    |    |    |        |            |
|      |          |                     |      |  |             |        |    |    |    |        |            |
|      |          |                     |      |  |             |        |    |    |    |        |            |
|      |          |                     |      |  |             |        |    |    |    |        |            |
|      |          |                     |      |  |             |        |    |    |    |        |            |
|      |          |                     |      |  |             |        |    |    |    |        |            |
|      |          |                     |      |  |             |        |    |    |    |        |            |
|      |          |                     |      |  |             |        |    |    |    |        |            |
|      |          |                     |      |  |             |        |    |    |    |        |            |
|      |          |                     |      |  |             |        |    |    |    |        |            |
|      |          |                     |      |  |             |        |    |    |    |        |            |
|      |          |                     |      |  |             |        |    |    |    |        |            |
|      |          |                     |      |  |             |        |    |    |    |        |            |
|      |          |                     |      |  |             |        |    |    |    |        |            |
|      |          |                     |      |  |             |        |    |    |    |        |            |



**ORYGINALNE CZĘŚCI ZAMIENNE SERWIS GWARANCYJNY I POGWARANCYJNY WYMIARY  
SERWISOWE ORAZ KATALOGI CZĘŚCI ZAMIENNYCH NA STRONIE WWW.WOBIS.PL/SERWIS**

| Pos. | Part no. | Description       | Qty. | Notice                      | Add. notice | kg    | EA | TA | DA | dDPW   | List price |
|------|----------|-------------------|------|-----------------------------|-------------|-------|----|----|----|--------|------------|
| 1    | 01125602 | HOUSING           | 1    |                             |             | 0,735 | 1  | 21 | 1  |        | 461,7795   |
| 2    | 03908800 | COVER             | 1    |                             |             | 0,097 | 1  | 21 | 1  |        | 80,535     |
| 3    | 03908900 | GASKET            | 1    |                             |             | 0,001 | 1  | 21 | 1  |        | 6,552      |
| 4    | 50323800 | ALL.SCREW M 6X 16 | 4    | M 6 x 16 DIN 6912-8.8 A3C   |             | 0,005 | 4  | 11 | 1  |        | 3,003      |
| 5    | 50000800 | JOINT A 6,5X 9,5  | 4    | A 6,5 x 9,5 DIN 7603-Cu     |             | 0,001 | 4  | 11 | 1  | zzNein | 0,455      |
| 6    | 03916100 | GASKET            | 1    |                             |             | 0,002 | 1  | 21 | 1  |        | 6,552      |
| 7    | 03908700 | COVER             | 1    |                             |             | 0,215 | 1  | 21 | 1  |        | 65,1105    |
| 8    | 50092200 | HEXSCREW M10X16   | 2    | M 10 x 16 DIN 933-8.8 A3C   |             | 0,021 | 0  | 11 | 1  |        | 3,003      |
| 9    | 03914310 | GEARWHEEL         | 1    |                             |             | 0,250 | 1  | 21 | 1  |        | 316,953    |
| 10   | 03908600 | P.T.O.FLANGE      | 1    |                             |             | 0,134 | 1  | 21 | 1  |        | 241,2865   |
| 11   | 50231900 | STUD M 8X 25      | 2    | M 8 x 25 DIN 835-8.8 A3C    |             | 0,012 | 4  | 11 | 1  |        | 3,2305     |
| 12   | 50290500 | CYL.PIN 6 M6X14   | 2    | 6 m 6 x 14 DIN 7-9 S20K     |             | 0,003 | 4  | 11 | 1  |        | 1,729      |
| 13   | 50323500 | O-RING 70X75X3,1  | 1    | 70 x 75 x 3,1               |             | 0,003 | 4  | 11 | 1  | D1     | 19,7015    |
| 14   | 04125000 | SEALING RING      | 1    | 26 x 35 x3                  |             | 0,002 | 1  | 11 | 1  | D1     | 3,8675     |
| 15   | _noorder | No single order   | -    |                             |             |       |    |    |    |        |            |
| 16   | 50128100 | STUD M8X30        | 2    | M 8 x 30 DIN 835 - 10.9 A3C |             | 0,013 | 4  | 11 | 1  |        | 3,2305     |
| 17   | 03788800 | WASHER 8,4X15X2   | 4    | 8,4 x 15 x 2                |             | 0,002 | 1  | 11 | 1  |        | 3,4125     |
| 18   | 50335300 | HEXAGON NUT M 8   | 4    | M 8 SW 12 A3C               |             | 0,004 | 4  | 11 | 1  |        | 1,5015     |
| 19   | 50050700 | ALL.SCR.M 6X 16   | 3    | M 6 x 16 DIN 912-8.8        |             | 0,005 | 4  | 11 | 1  | zzNein | 1,729      |
| 20   | 01613100 | CAP SCREW         | 1    |                             |             | 0,017 | 1  | 11 | 1  | W1     | 13,104     |
| D    | 50223300 | LOCTITE 221       | 1    | 50 ML                       |             | 0,077 | 4  | 12 | 0  |        | 99,0535    |
| H    | 50282501 | SILICON SEALER    | 1    | 30ML 1207                   |             | 0,055 | 4  | 12 | 1  |        | 48,23      |
|      |          |                   |      |                             |             |       |    |    |    |        |            |
|      |          |                   |      |                             |             |       |    |    |    |        |            |
|      |          |                   |      |                             |             |       |    |    |    |        |            |
|      |          |                   |      |                             |             |       |    |    |    |        |            |
|      |          |                   |      |                             |             |       |    |    |    |        |            |
|      |          |                   |      |                             |             |       |    |    |    |        |            |
|      |          |                   |      |                             |             |       |    |    |    |        |            |
|      |          |                   |      |                             |             |       |    |    |    |        |            |
|      |          |                   |      |                             |             |       |    |    |    |        |            |
|      |          |                   |      |                             |             |       |    |    |    |        |            |