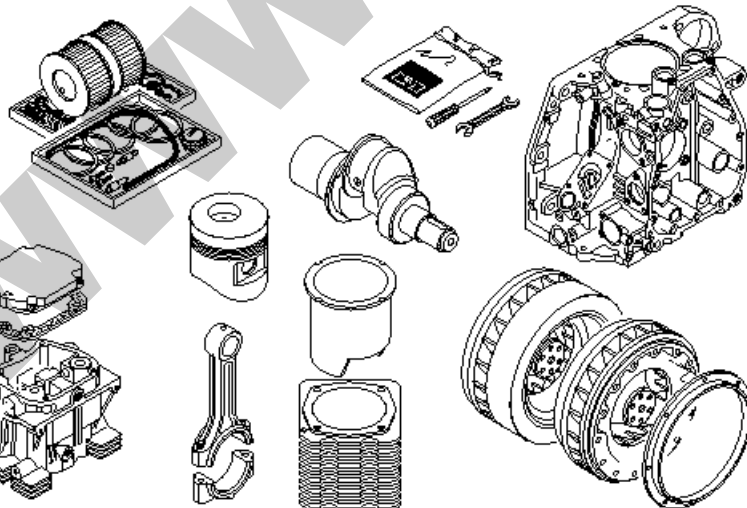


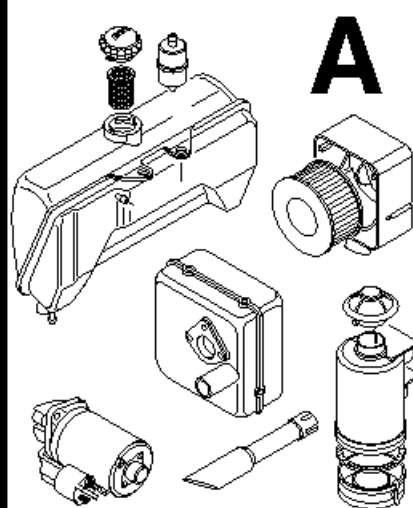
1D50.13

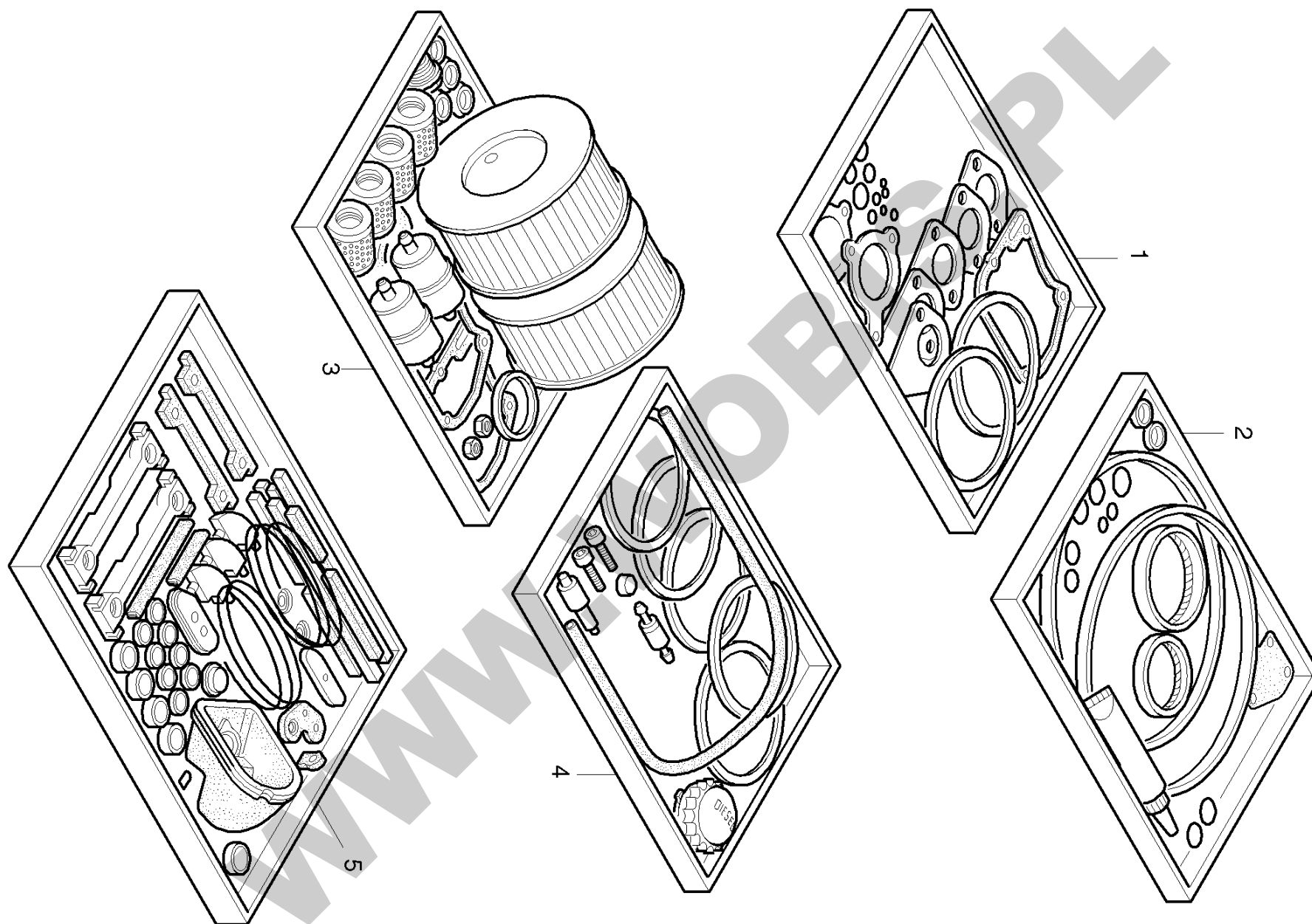


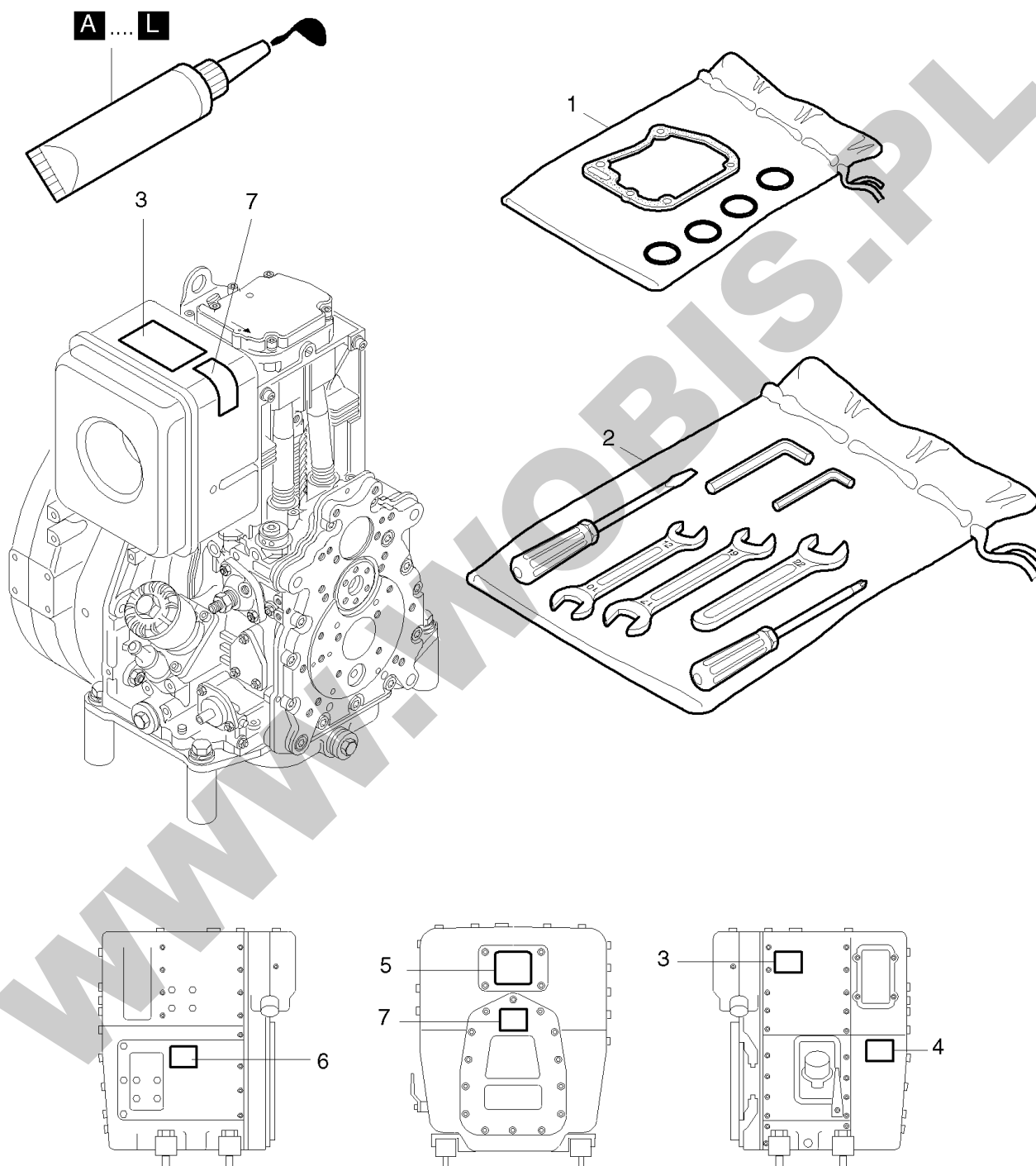
M



A



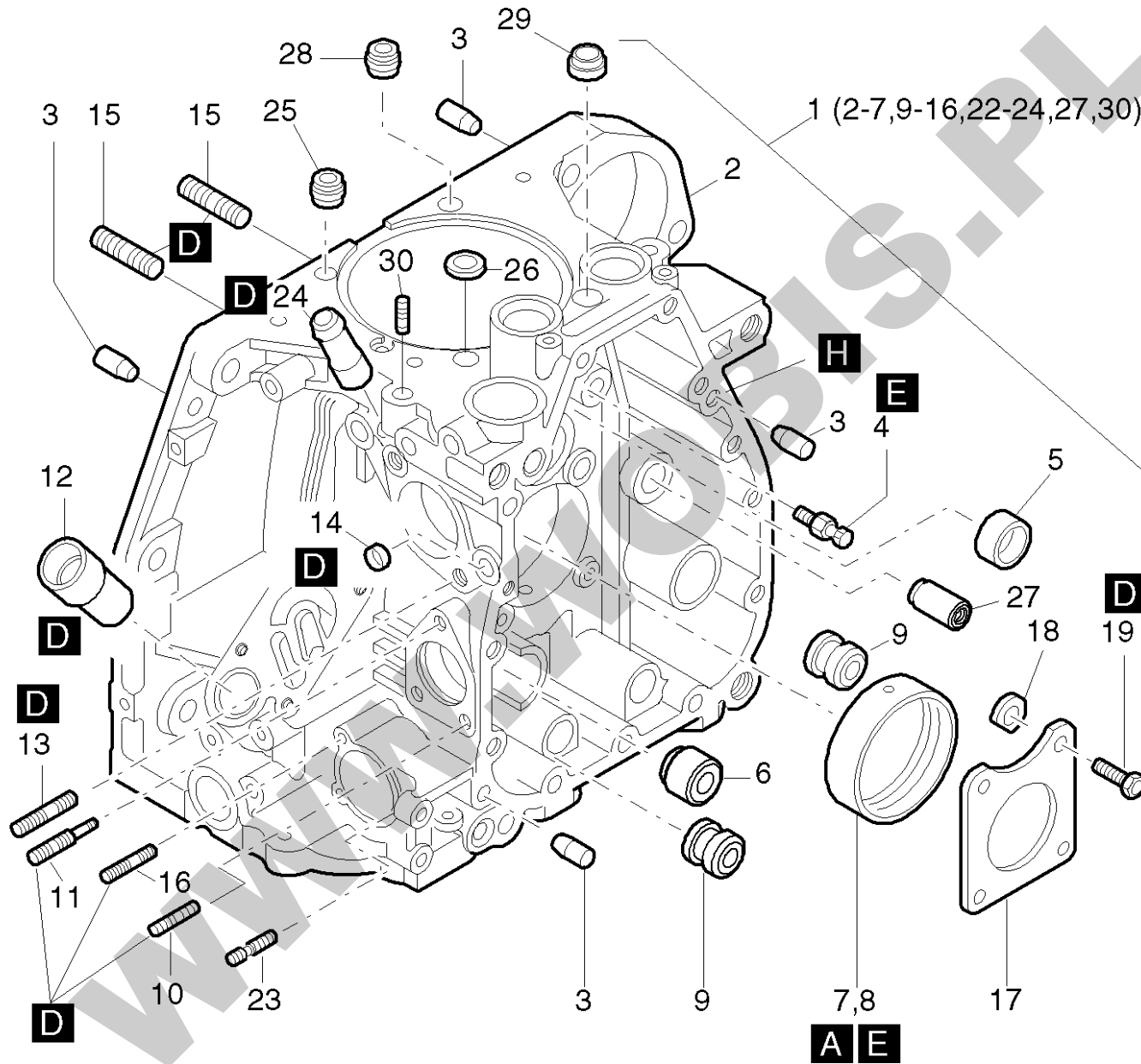




**ORYGINALNE CZĘŚCI ZAMIENNE SERWIS GWARANCYJNY I POGWARANCYJNY WYMIARY
SERWISOWE ORAZ KATALOGI CZĘŚCI ZAMIENNYCH NA STRONIE WWW.WOBIS.PL/SERWIS**

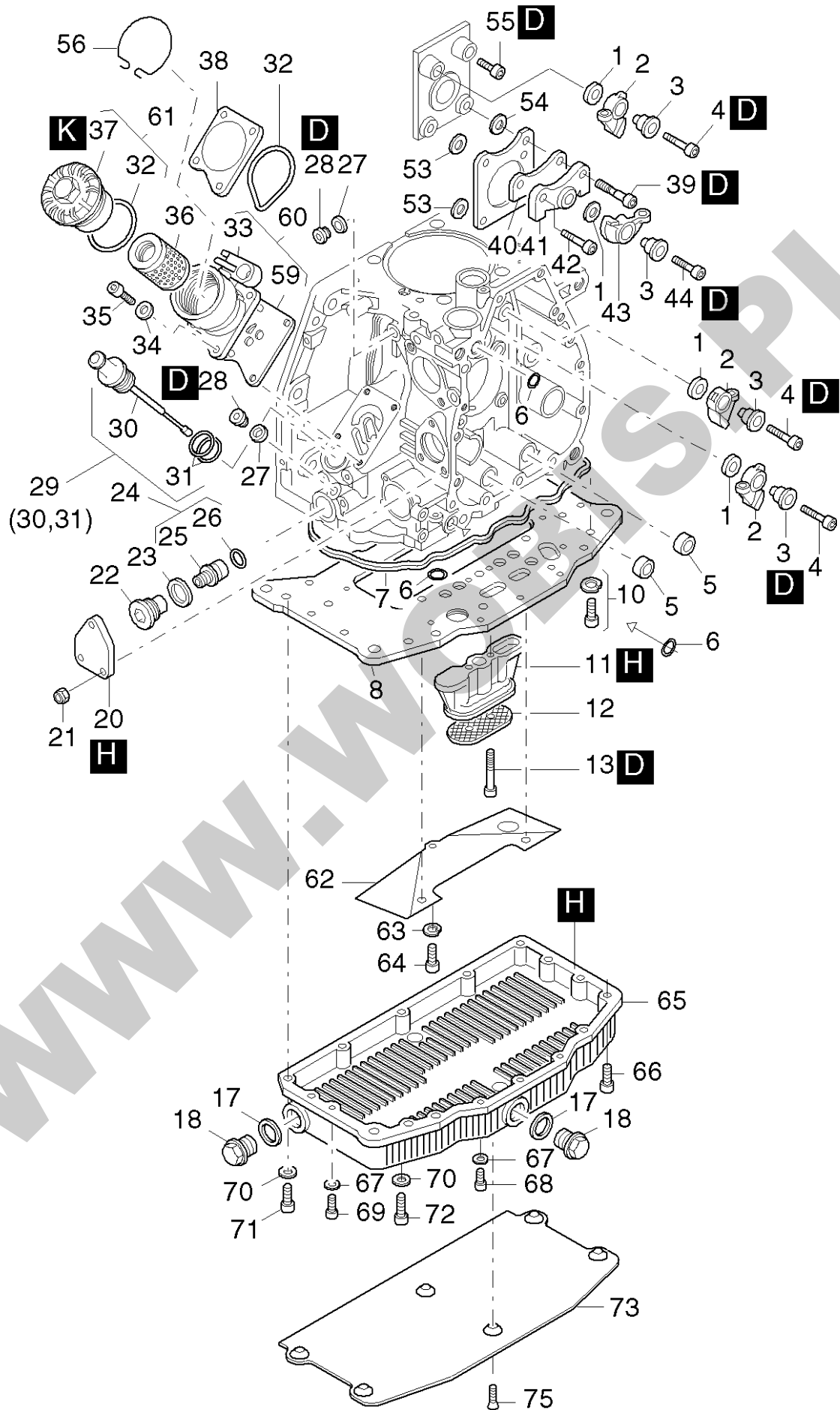
| Pos. | Part no. | Description | Qty. | Notice | Add. notice | kg | EA | TA | DA | dDPW | List price |
|------|----------|---------------------|------|--|-------------|-------|----|----|----|------|------------|
| 1 | 01247512 | ACCESSORIES KIT | 1 | Zubehörsatz - Accessories kit | | 0,019 | 1 | 11 | 1 | | 17,199 |
| 2 | 01247600 | TOOL SET D30/81 | 1 | | | 0,550 | 1 | 11 | 1 | | 73,619 |
| 3 | 04048301 | STICKER LABEL | 1 | | | 0,003 | 9 | 11 | 0 | | 10,3285 |
| 4 | _nopart | Not in this engine | - | | | | | | | | |
| 5 | _nopart | Not in this engine | - | | | | | | | | |
| 6 | _nopart | Not in this engine | - | | | | | | | | |
| 7 | 05025200 | STICKER CR-START | 1 | Handstart, demarr. man. | | 0,001 | 1 | 21 | 1 | | 8,1445 |
| A | 50223001 | LOCTITE ACTIVATOR N | 1 | 500 ML DIN 7649 | | 0,580 | 4 | 12 | 0 | | 270,7705 |
| B | 50223101 | LOCTITE 574 | 1 | 50 ML | | 0,088 | 4 | 12 | 0 | | 99,0535 |
| C | 50223200 | LOCTITE 601 | 1 | 50 ML | | 0,079 | 4 | 12 | 0 | | 99,0535 |
| D | 50223300 | LOCTITE 221 | 1 | 50 ML | | 0,077 | 4 | 12 | 0 | | 99,0535 |
| E | 50223400 | LOCTITE 648 | 1 | 10 ML | | 0,021 | 4 | 12 | 0 | | 38,6295 |
| F | 50223900 | TECHNICOLL CLEANER | 1 | 750 GR | | 0,870 | 4 | 12 | 0 | | 101,2375 |
| F | 50223800 | TECHNICL.ADHES.8058 | 1 | 750 GR | | 0,875 | 4 | 12 | 0 | | 132,8145 |
| G | 50256501 | LOCTITE IS 407 | 1 | 20 ML | | 0,033 | 4 | 12 | 0 | | 52,143 |
| H | 50282501 | SILICON SEALER | 1 | 30ML 1207 | | 0,055 | 4 | 12 | 1 | | 48,23 |
| J | 50283004 | HIGH TEMP.PASTE | 1 | | | 0,110 | 4 | 12 | 0 | | 71,617 |
| K | 50342600 | GREASE START.DEVICE | 1 | 100 GRAMM part was replaced by 50342601 | | 0,100 | 0 | 12 | 0 | | |
| L | 50256600 | SILICON SEALER | 1 | | | 0,130 | 4 | 12 | 0 | | 193,4205 |
| M | 50485100 | GRINDING PASTE 80ML | 1 | | | 0,113 | 4 | 12 | 1 | | 96,5055 |
| | | | | | | | | | | | |
| | | | | | | | | | | | |
| | | | | | | | | | | | |
| | | | | | | | | | | | |
| | | | | | | | | | | | |
| | | | | | | | | | | | |
| | | | | | | | | | | | |

**ORYGINALNE CZĘŚCI ZAMIENNE SERWIS GWARANCYJNY I POGWARANCYJNY WYMIARY
SERWISOWE ORAZ KATALOGI CZĘŚCI ZAMIENNYCH NA STRONIE WWW.WOBIS.PL/SERWIS**



**ORYGINALNE CZĘŚCI ZAMIENNE SERWIS GWARANCYJNY I POGWARANCYJNY WYMIARY
SERWISOWE ORAZ KATALOGI CZĘŚCI ZAMIENNYCH NA STRONIE WWW.WOBIS.PL/SERWIS**

| Pos. | Part no. | Description | Qty. | Notice | Add. notice | kg | EA | TA | DA | dDPW | List price |
|------|----------|---------------------|--------|-----------------------------|----------------------|-------|----|----|----|------|------------|
| 1 | 01644900 | CRANKCASE 1D50 | 1 | 1D50 | | 7,700 | 1 | 12 | 1 | | 2826,46 |
| 2 | _noorder | No single order | - | | | | | | | | |
| 3 | 50249102 | CYL.PIN 8M 6 X 20 | 4 | 8 M 6 x 20 2-Fasen | | 0,005 | 0 | 11 | 1 | | 2,5025 |
| 4 | 04022602 | NOZZLE | 1 | | | 0,004 | 1 | 11 | 1 | | 17,1535 |
| 5 | 03793800 | BEARING BUSH | 1 | | | 0,009 | 1 | 11 | 1 | | 37,128 |
| 6 | 04022700 | PLUG | 0... 1 | ø 25 mm | ""S"" | 0,025 | 1 | 11 | 1 | | 14,8785 |
| 7 | 04022500 | MAIN BEARING | 1 | | | 0,058 | 4 | 11 | 1 | | 107,744 |
| 8 | 04048800 | MAIN BEARING 0,5- | 1 | - 0,5 mm | | 0,100 | 4 | 14 | 1 | | 150,1955 |
| 9 | 04023600 | PLUG | 1... 2 | ø 25 mm | s.Grp. A01b Pos4 | 0,020 | 1 | 11 | 1 | | 14,8785 |
| 10 | 50144300 | STUD M 6X 16 | 2 | M 6 x 16 DIN 835 - 8.8 A3C | | 0,005 | 4 | 11 | 1 | | 3,9585 |
| 11 | 03794510 | STUD | 1 | | | 0,007 | 1 | 11 | 1 | | 14,1505 |
| 12 | 03794800 | INTERMEDIATE PIECE | 1 | | | 0,050 | 1 | 11 | 1 | | 26,7085 |
| 13 | 50098300 | STUD M8X20 | 2 | M 8 x 20 DIN 835-8.8 A3C | | 0,009 | 4 | 11 | 1 | | 5,3235 |
| 14 | 50325500 | COVER 10 | 1 | 10 DIN 443-St A3C | | 0,001 | 4 | 11 | 1 | | 1,4105 |
| 15 | 50037600 | STUD M 8X 20 | 8 | M 8 x 20 DIN 835 - 10.9 | | 0,012 | 4 | 11 | 0 | | 3,003 |
| 16 | 50328200 | STUD M6X22 | 2 | M 6 x 22 DIN 835 - 8.8 A3C | | 0,006 | 4 | 11 | 1 | | 4,8685 |
| 17 | 04011651 | THRUST PLATE | 1 | BEF. SCHR. M 9 | | 0,140 | 1 | 11 | 1 | | 95,2315 |
| 18 | 04069500 | SHIM 1,05 | 0... 4 | 1,05 mm | Axialspiel 0,1-0,4mm | 0,001 | 1 | 11 | 1 | | 3,185 |
| 18 | 04069600 | SHIM 1,2 | 0... 4 | 1,20 mm | End play 0,1-0,4mm | 0,002 | 1 | 11 | 1 | | 3,185 |
| 19 | 04062010 | HEXSCREW M9 X 28 | 4 | M 9 x28 | | 0,017 | 1 | 11 | 1 | | 9,191 |
| 23 | 50328200 | STUD M6X22 | 1 | M 6 x 22 DIN 835 - 8.8 A3C | | 0,006 | 4 | 11 | 1 | | 4,8685 |
| 24 | _noorder | No single order | - | | | | | | | | |
| 25 | 50458400 | GASKET | 2 | | | 0,002 | 4 | 11 | 1 | d2 | 6,8705 |
| 26 | 04219300 | RECT.RING 14X10X3,0 | 0... 2 | 14 x 10 x 3,0 | | 0,004 | 1 | 12 | 1 | | 10,829 |
| 26 | 04219200 | RECT.RING 14X10X2,5 | 0... 2 | 14 x 10 x 2,5 | | 0,003 | 1 | 12 | 1 | | 10,829 |
| 26 | 04150300 | RECT.RING 14X10X3,5 | 0... 2 | 14 x 10 x 3,5 | | 0,001 | 1 | 11 | 5 | d2 | 9,3275 |
| 27 | 04105000 | PLUG 15MM | 1 | ø 15 mm | ""S"" | 0,010 | 1 | 11 | 1 | | 10,7835 |
| 28 | _nopart | Not in this engine | - | | | | | | | | |
| 29 | _nopart | Not in this engine | - | | | | | | | | |
| 30 | 50262400 | THREADED PIN M 6X10 | 0... 1 | M 6 x 10 DIN 916-Tuf. 360 G | | 0,001 | 4 | 11 | 1 | | 4,732 |

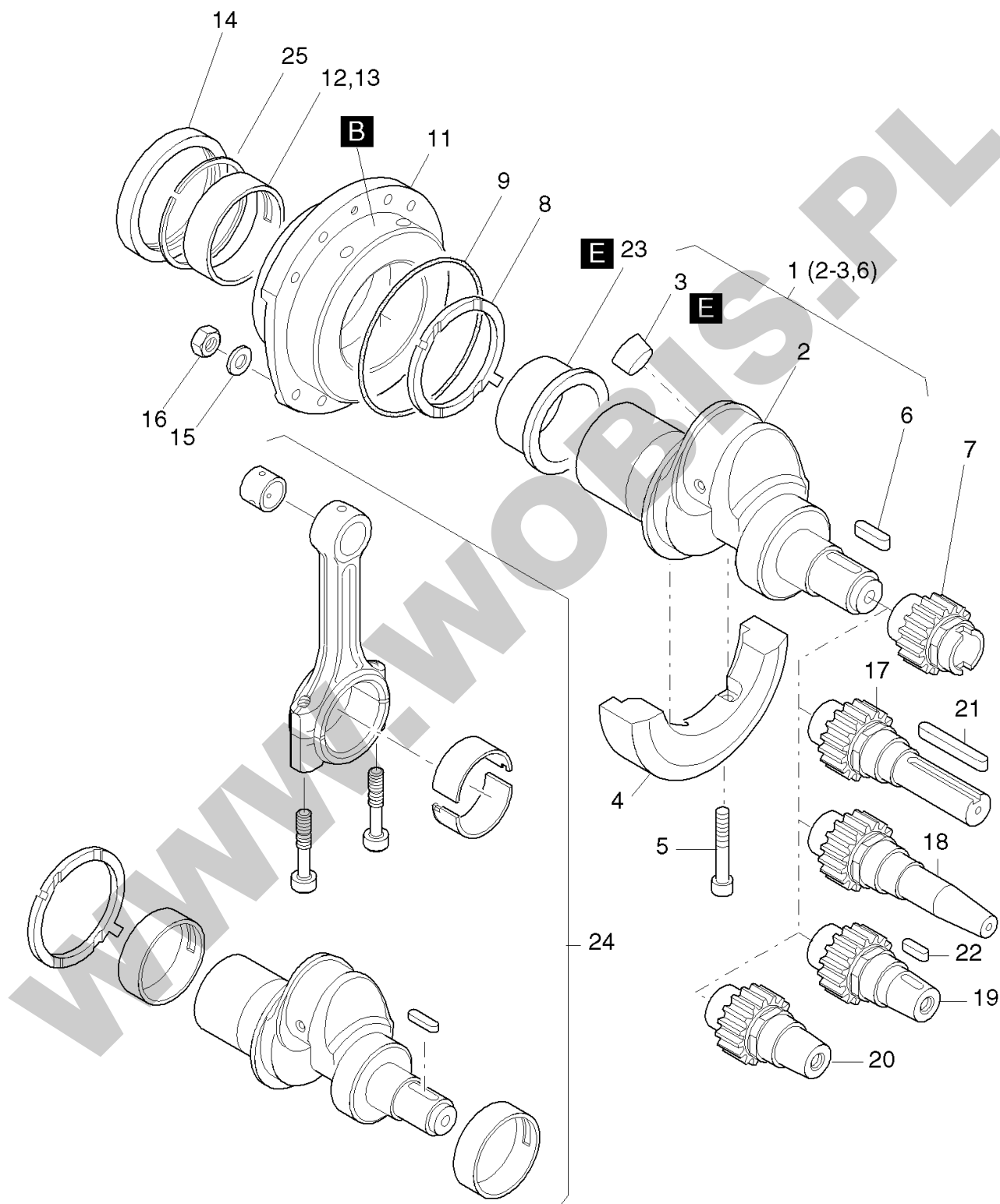


**ORYGINALNE CZĘŚCI ZAMIENNE SERWIS GWARANCYJNY I POGWARANCYJNY WYMIARY
SERWISOWE ORAZ KATALOGI CZĘŚCI ZAMIENNYCH NA STRONIE WWW.WOBIS.PL/SERWIS**

| Pos. | Part no. | Description | Qty. | Notice | Add. notice | kg | EA | TA | DA | dDPW | List price |
|------|----------|---------------------|------|-----------------------------|-------------|-------|----|----|----|-------|------------|
| 1 | 03794100 | WASHER | 2 | 10,1 x 22 x 3 | | 0,006 | 1 | 11 | 1 | | 10,4195 |
| 2 | 03794300 | CAM FOLLOWER | 2 | | | 0,040 | 1 | 11 | 1 | | 166,621 |
| 3 | 03794201 | CAM FOLLOW SPINDLE | 2 | | | 0,018 | 1 | 11 | 1 | | 40,3585 |
| 4 | 50170800 | ALL.SCR.M 6X 25 | 2 | M 6 x 25 DIN 912 - 8.8 A3C | | 0,008 | 4 | 11 | 1 | | 1,8655 |
| 5 | 03795800 | O-RING 12X18,3X7,3 | 2 | 12 x 18,3 x 7,3 | | 0,002 | 1 | 11 | 1 | D2 | 12,8765 |
| 6 | 50329000 | O-RING 9,5X2,5 | 3 | 9,5 x 2,5 | | 0,001 | 4 | 11 | 1 | D3 | 2,912 |
| 7 | 03795100 | O-RING265X269,4X3,6 | 1 | 265 x 269,4 x 3,6 | | 0,013 | 1 | 11 | 1 | D1 | 82,7645 |
| 8 | 01644500 | PLATE | 1 | | | 2,500 | 1 | 12 | 1 | | 441,441 |
| 10 | 50417600 | ALL.SCR. M 8X25 Z4 | 12 | M 8 x 25 Z4 DIN 912-8.8 A3C | | 0,015 | 4 | 11 | 1 | | 3,0485 |
| 11 | 04023300 | HOUSING | 1 | | | 0,110 | 1 | 11 | 1 | | 46,1825 |
| 12 | 03795000 | SUCTION SIEVE | 1 | | | 0,010 | 1 | 11 | 1 | | 14,6965 |
| 13 | 50051100 | ALL.SCR.M 6X 30 | 2 | M 6 x 30 DIN 6912-8.8 | | 0,007 | 4 | 11 | 1 | | 2,6845 |
| 17 | 50459100 | JOINT A22 X27 | 2 | A 22 x 27 DIN 7603-AI | | 0,006 | 4 | 11 | 1 | D2,W4 | 1,4105 |
| 18 | 50373100 | DRAIN PLG.MAGNT.M22 | 2 | AM22x1,5DIN7604A3C MAGN. | | 0,038 | 4 | 11 | 1 | W1 | 29,575 |
| 18 | 50140400 | DRAIN PLUG M 22X1,5 | 2 | AM22x1,5DIN7604-5.8A3C | | 0,037 | 4 | 11 | 1 | | 7,462 |
| 20 | 03794700 | COVER | 1 | | | 0,118 | 9 | 11 | 0 | | 10,8745 |
| 21 | 50328300 | HEXAGON NUT VM6 | 3 | VM 6 DIN 980-8 A3C | | 0,002 | 4 | 11 | 1 | | 1,4105 |
| 22 | 01321200 | CLOS.SCREW + SIEVE | 1 | M 24 x 1,5 | | 0,052 | 1 | 11 | 1 | | 39,039 |
| 23 | 50286400 | JOINT A24X29 | 1 | A 24 x 29 DIN 7603-Cu | | 0,003 | 4 | 11 | 1 | D1 | 4,5955 |
| 24 | 01321100 | OIL RELIEF VALVE | 1 | | | 0,028 | 1 | 11 | 1 | | 80,8535 |
| 25 | _noorder | No single order | - | | | | | | | | |
| 26 | 50460400 | O-RING 18 X 2 | 1 | 18 x 2 | | 0,001 | 4 | 11 | 1 | D1 | 2,912 |
| 27 | 50062400 | JOINT A10 X13,5 | 2 | A 10 x 13,5 DIN 7603-Cu | | 0,001 | 4 | 11 | 1 | D2 | 0,364 |
| 28 | 50062300 | CLOS.SCREW M10X1 | 2 | M 10 x 1 DIN 908-5.8 A3C | | 0,005 | 4 | 11 | 1 | | 4,3225 |
| 29 | 01255200 | DIPSTICK | 1 | | | 0,030 | 1 | 11 | 1 | | 37,128 |
| 30 | _noorder | No single order | - | | | | | | | | |
| 31 | 50359700 | O-RING 20,29X2,62 | 2 | 20,29 x 2,62 | | 0,001 | 4 | 11 | 1 | D2 | 6,643 |
| 32 | 50329200 | RECTANG.RNG.50X55X3 | 2 | 50 x 55 x 3 | | 0,002 | 4 | 11 | 1 | D2,W1 | 11,4205 |
| 33 | _noorder | No single order | - | | | | | | | | |
| 34 | 50081200 | SPRING WASHER A 6 | 4 | A 6 DIN 137 - A3C | | 0,001 | 4 | 11 | 1 | | 0,455 |

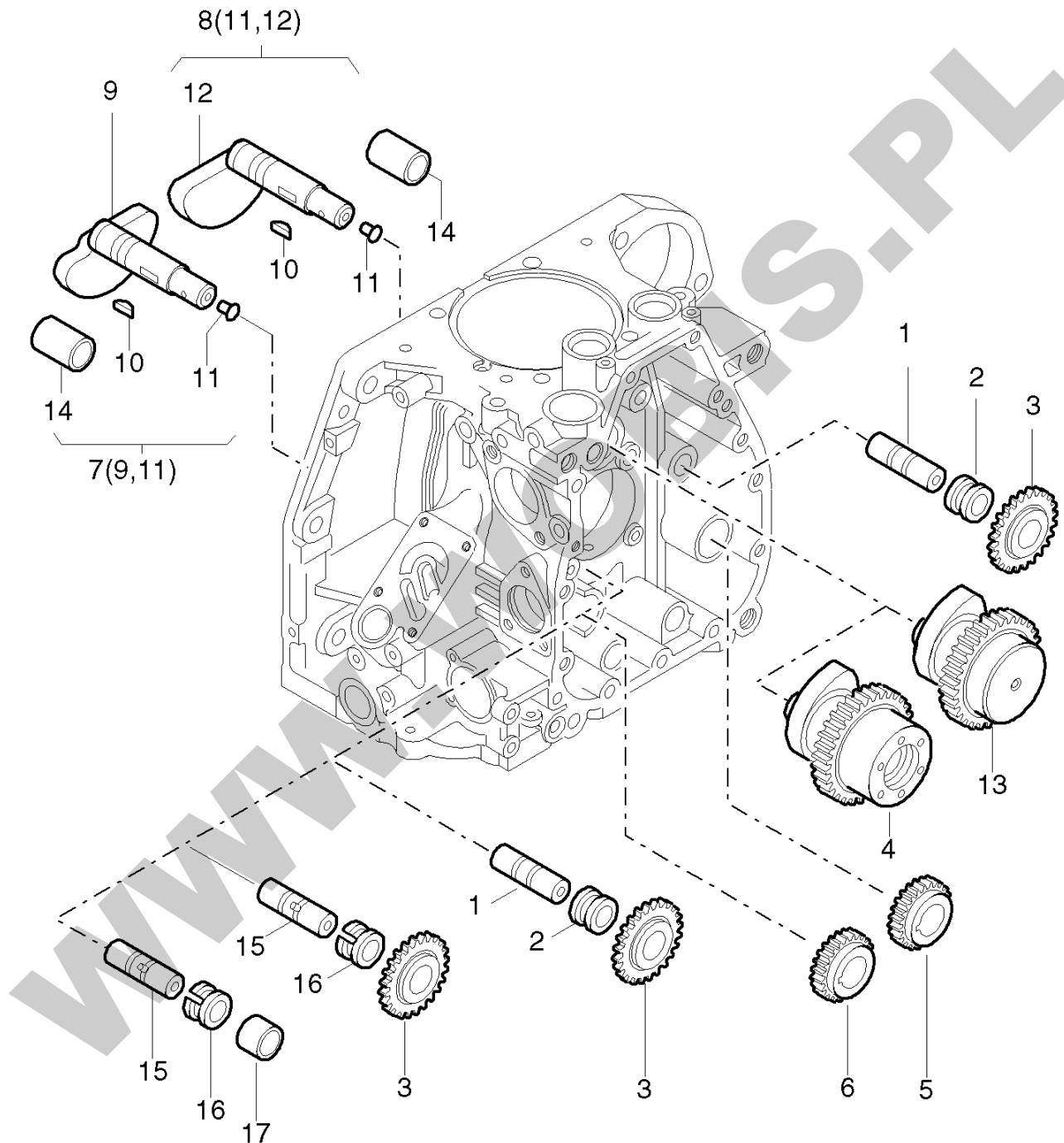
**ORYGINALNE CZĘŚCI ZAMIENNE SERWIS GWARANCYJNY I POGWARANCYJNY WYMIARY
SERWISOWE ORAZ KATALOGI CZĘŚCI ZAMIENNYCH NA STRONIE WWW.WOBIS.PL/SERWIS**

| Pos. | Part no. | Description | Qty. | Notice | Add. notice | kg | EA | TA | DA | dDPW | List price |
|------|----------|---------------------|------|---|-------------|-------|----|----|----|------|------------|
| 35 | 50170600 | ALL.SCR.M 6X 20 | 4 | M 6 x 20 DIN 912-8.8 A3C | | 0,007 | 4 | 11 | 1 | | 1,729 |
| 36 | 01480000 | OILFILT.ELEM.1D.... | 1 | | | 0,060 | 4 | 12 | 1 | W4 | 27,5275 |
| 37 | _noorder | No single order | - | | | | | | | | |
| 38 | 04033401 | COVER | 1 | | | 0,105 | 1 | 11 | 1 | | 38,9025 |
| 39 | 04053210 | SET SCREW M 9 | 1 | | | 0,020 | 9 | 11 | 0 | | 36,4455 |
| 40 | 04036920 | PLATE | 1 | part was replaced by 04036921 | | 0,000 | 0 | 11 | 7 | | |
| 41 | 04024220 | CAM FOLLOWER BRACK. | 1 | part was replaced by 04024221 | | 0,000 | 0 | 11 | 7 | | |
| 42 | 04062110 | ALL.SCR.M 9X36 | 1 | M 9 x 36 | | 0,015 | 0 | 11 | 0 | | |
| 43 | 04024301 | CAM FOLLOWER T/U | 1 | | | 0,040 | 9 | 11 | 0 | | 260,988 |
| 44 | 50457900 | ALL.SCR. M 6X 25 | 1 | M 6 x 25 DIN 912 - 10.9 | | 0,007 | 4 | 11 | 1 | | 1,4105 |
| 53 | 04069500 | SHIM 1,05 | 3 | 1,05 mm | | 0,001 | 1 | 11 | 1 | | 3,185 |
| 53 | 04069600 | SHIM 1,2 | 3 | 1,20 mm | | 0,002 | 1 | 11 | 1 | | 3,185 |
| 54 | 04069800 | SHIM 1,05 | 1 | 1,05 mm | | 0,001 | 9 | 11 | 0 | | 3,4125 |
| 54 | 04069900 | SHIM 1,20 | 1 | 1,20 mm | | 0,002 | 9 | 11 | 0 | | 3,4125 |
| 55 | 04065400 | ALL.SCR. M 6 X 12 | 1 | M 6 X 12 part was replaced by 04065401 | | 0,000 | 0 | 11 | 7 | | |
| 56 | 04084000 | LIFTING SPRING | 1 | part was replaced by 04084001 | | 0,000 | 0 | 21 | 7 | | |
| 59 | 05068900 | GASKET | 1 | | | 0,006 | 1 | 21 | 1 | D1 | 9,828 |
| 60 | 01318300 | LUB.OIL FILT.HOUSG. | 1 | | | 0,281 | 1 | 22 | 1 | | 128,9925 |
| 61 | 01248901 | COVER F.OILFILTER | 1 | | | 0,102 | 1 | 22 | 1 | | 77,1225 |
| 62 | 04134600 | SPLASH DEFLECTOR | 1 | | | 0,642 | 1 | 11 | 1 | | 31,577 |
| 63 | 50170900 | SPRING WASHER 6 | 1 | 6 DIN 128 - A3C | | 0,001 | 4 | 11 | 1 | | 0,455 |
| 64 | 50329100 | ALL.SCR.M 6X10 | 1 | M 6x10 DIN 912-8.8 Inbus Plus | | 0,005 | 4 | 11 | 1 | | 2,5935 |
| 65 | 04134110 | OIL SUMP | 1 | | | 1,583 | 1 | 11 | 1 | | 517,1985 |
| 66 | 50417400 | ALL.SCREW M 8X30 Z3 | 7 | M 8 x 30 DIN 912-8.8 A3C/6900 | | 0,017 | 4 | 11 | 1 | | 3,367 |
| 67 | 50144500 | FLAT WASHER 6,4 | 4 | 6,4 DIN 125-St A3C | | 0,001 | 4 | 11 | 1 | | 0,455 |
| 68 | 50459700 | ALL.SCR.M 6X 25 | 3 | M 6 x 25 DIN 912-8.8 A3C Tuf. | | 0,007 | 0 | 11 | 1 | | |
| 69 | 50474200 | ALL.SCR. M 6X 16 | 1 | M6x16 DIN912-8.8 A3C Tuf.360 | | 0,006 | 4 | 11 | 1 | | 4,3225 |
| 70 | 50422400 | SHIM 8X14X1 | 5 | 8 x 14 x 1,0 DIN 988 | | 0,001 | 4 | 11 | 1 | | 1,092 |
| 71 | 50175900 | ALL.SCR.M 8X 30 | 4 | M 8 x 30 DIN 912-8.8 A3C | | 0,017 | 4 | 11 | 1 | | 2,6845 |



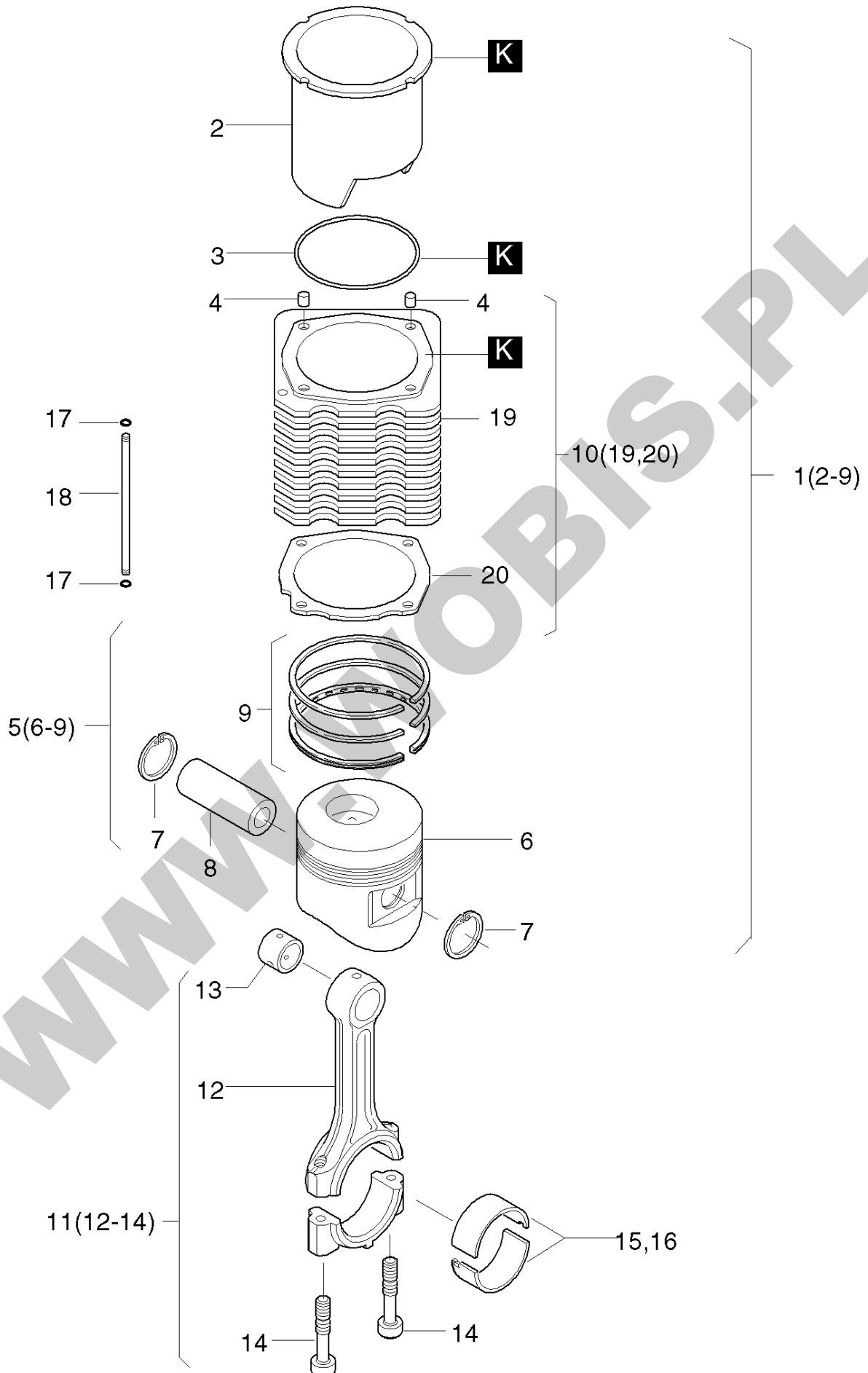
**ORYGINALNE CZĘŚCI ZAMIENNE SERWIS GWARANCYJNY I POGWARANCYJNY WYMIARY
SERWISOWE ORAZ KATALOGI CZĘŚCI ZAMIENNYCH NA STRONIE WWW.WOBIS.PL/SERWIS**

| Pos. | Part no. | Description | Qty. | Notice | Add. notice | kg | EA | TA | DA | dDPW | List price |
|------|----------|---------------------|------|---|-------------|-------|----|----|----|------|------------|
| 1 | 01337200 | CRANKSHAFT 1D50 | 1 | part was replaced by 01337210 | | 0,000 | 0 | 11 | 7 | | |
| 2 | _noorder | No single order | - | | | | | | | | |
| 3 | 50345800 | COVER 22 | 1 | 22 DIN 443 | | 0,010 | 4 | 11 | 1 | | 7,189 |
| 4 | 04134800 | COUNTER WEIGHT | 1 | part was replaced by 04023502 | | 0,535 | 0 | 11 | 7 | | |
| 5 | 50127900 | ALL.SCR. M 8X 40 | 2 | M 8 x 40 DIN 912 - 10.9 | | 0,019 | 4 | 11 | 0 | | |
| 6 | 50362600 | FITTINGKEY A 6X4X32 | 1 | A 6 x 4 x 32 DIN 6885 St 60 | | 0,006 | 4 | 11 | 1 | | 2,6845 |
| 7 | 03796120 | GEARWHEEL F. CRANKS | 1 | | | 0,225 | 1 | 11 | 1 | | 455,5005 |
| 8 | 04024600 | BUFFER RING | 1 | | | 0,012 | 1 | 11 | 1 | | 73,528 |
| 9 | 50349700 | O-RING 100X2,5 | 1 | 100 x 2,5 | | 0,002 | 4 | 11 | 1 | D1 | 13,468 |
| 11 | 04136300 | BEARING FLANGE | 1 | | | 2,381 | 1 | 11 | 1 | | 492,401 |
| 12 | 04024500 | MAIN BEARING | 1 | | | 0,062 | 4 | 11 | 1 | | 116,8895 |
| 13 | 04048700 | MAIN BEARING 0,5- | 1 | - 0,5 mm | | 0,100 | 4 | 14 | 1 | | 132,8145 |
| 14 | 50368101 | OIL SEAL 52 X80 X10 | 1 | 52 x 80 x 10 part was replaced by 50368102 | | 0,041 | 0 | 11 | 7 | D1 | |
| 15 | 50413600 | WASHER 8,4 | 8 | 8,4 300 HV DIN 125A-A3C | | 0,001 | 4 | 11 | 1 | | 1,092 |
| 16 | 50364300 | HEXAGON NUT M 8 | 8 | M 8 DIN 934 - 10.9 A3C | | 0,005 | 4 | 11 | 1 | | 1,729 |
| 17 | 04023120 | STUBSHAFT SAE CYL. | 1 | SAE ...2 ø 1" zyl., cyl. | | 0,666 | 1 | 11 | 1 | | 619,2095 |
| 18 | 01485500 | STUBSHAFT SAE TAPER | 1 | SAE ...4 ø 1" keg. | | 0,700 | 1 | 11 | 1 | | 606,1965 |
| 19 | 04022910 | STUBSHAFT ITALIA | 1 | ITAL. ...3 ø 30 mm tap. | | 0,445 | 1 | 11 | 1 | | 855,8095 |
| 20 | 05033200 | STUB SHAFT ITAL. 23 | 1 | ITAL. ...6 ø 23 mm con. | | 0,400 | 1 | 11 | 1 | | 603,876 |
| 21 | 05141600 | FITTINGKEY 6,35X61 | 1 | A 6,35 x 61 | | 0,018 | 1 | 11 | 1 | | 6,279 |
| 22 | 50017800 | WOODRUFF KEY 4X6,5 | 1 | 4 x 6,5 DIN 6888 | | 0,003 | 4 | 11 | 1 | | 1,729 |
| 23 | _nopart | Not in this engine | - | | | | | | | | |
| 24 | _nopart | Not in this engine | - | | | | | | | | |
| 25 | 50458000 | CIRCLIP SB 60 | 1 | SB 60 | | 0,005 | 4 | 11 | 1 | | 3,367 |
| B | 50223101 | LOCTITE 574 | | 50 ML | | 0,088 | 4 | 12 | 0 | | 99,0535 |
| E | 50223400 | LOCTITE 648 | 1 | 10 ML | | 0,021 | 4 | 12 | 0 | | 38,6295 |
| | | | | | | | | | | | |
| | | | | | | | | | | | |
| | | | | | | | | | | | |



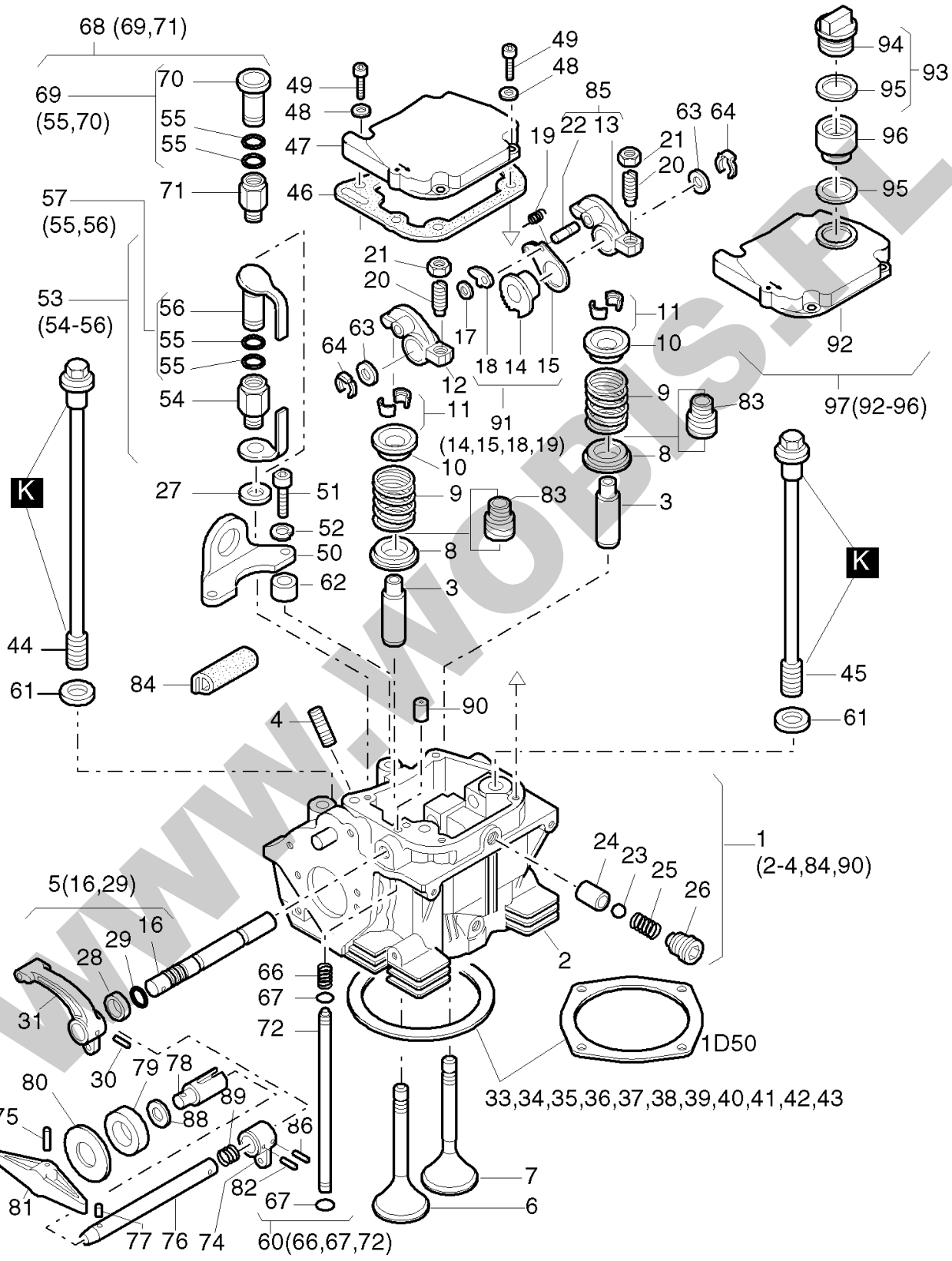
**ORYGINALNE CZĘŚCI ZAMIENNE SERWIS GWARANCYJNY I POGWARANCYJNY WYMIARY
SERWISOWE ORAZ KATALOGI CZĘŚCI ZAMIENNYCH NA STRONIE WWW.WOBIS.PL/SERWIS**

| Pos. | Part no. | Description | Qty. | Notice | Add. notice | kg | EA | TA | DA | dDPW | List price |
|------|----------|--------------------|------|--------------------------------|-------------|-------|----|----|----|------|------------|
| 1 | 03796401 | SHAFT | 2 | | | 0,072 | 1 | 11 | 1 | | 53,9175 |
| 2 | 03796500 | BUSH | 2 | | | 0,028 | 1 | 11 | 1 | | 21,7945 |
| 3 | 01242000 | GEARWHEEL | 2 | | | 0,176 | 1 | 11 | 1 | | 319,5465 |
| 4 | 04137110 | CAMSHAFT L | 1 | | | 1,250 | 1 | 11 | 5 | | 861,133 |
| 5 | 03796800 | GEARWHEEL | 1 | Z, U, C | | 0,107 | 1 | 11 | 1 | | 275,4115 |
| 6 | 03796900 | GEARWHEEL | 1 | Z, U, C | | 0,107 | 1 | 11 | 1 | | 275,6845 |
| 7 | 01270000 | SHAFT PUMP SIDE | 1 | | | 0,493 | 1 | 12 | 0 | | 414,96 |
| 8 | 01270100 | SHAFT STARTER SIDE | 1 | | | 0,493 | 1 | 12 | 0 | | 414,96 |
| 9 | _noorder | No single order | - | | | | | | | | |
| 10 | 50324900 | WOODRUFF KEY 3X3,7 | 2 | 3 x 3,7 DIN 6888 St 60 Z, U, C | | 0,001 | 4 | 11 | 1 | | 2,3205 |
| 11 | _noorder | No single order | - | | | | | | | | |
| 12 | _noorder | No single order | - | | | | | | | | |
| 13 | 04137210 | CAMSHAFT T/U | 1 | | | 1,257 | 9 | 11 | 0 | | 739,1475 |
| 14 | 04023900 | BUSH | 2 | | | 0,052 | 1 | 11 | 1 | | 55,8285 |
| 15 | 01320700 | SHAFT | 1 | | | 0,080 | 1 | 11 | 1 | | 50,96 |
| 16 | 04107600 | BUSH | 1 | | | 0,005 | 1 | 11 | 1 | | 8,4175 |
| 17 | 04011900 | BUSH | 1 | 15x24x17 | | 0,050 | 1 | 11 | 1 | | 12,9675 |
| | | | | | | | | | | | |
| | | | | | | | | | | | |
| | | | | | | | | | | | |
| | | | | | | | | | | | |
| | | | | | | | | | | | |
| | | | | | | | | | | | |
| | | | | | | | | | | | |
| | | | | | | | | | | | |
| | | | | | | | | | | | |
| | | | | | | | | | | | |
| | | | | | | | | | | | |
| | | | | | | | | | | | |
| | | | | | | | | | | | |
| | | | | | | | | | | | |



**ORYGINALNE CZĘŚCI ZAMIENNE SERWIS GWARANCYJNY I POGWARANCYJNY WYMIARY
SERWISOWE ORAZ KATALOGI CZĘŚCI ZAMIENNYCH NA STRONIE WWW.WOBIS.PL/SERWIS**

| Pos. | Part no. | Description | Qty. | Notice | Add. notice | kg | EA | TA | DA | dDPW | List price |
|------|----------|---------------------|------|--|-------------|-------|----|----|----|------|------------|
| 1 | 01644400 | CYL.SLEEVE + PISTON | 1 | part was replaced by 01644401 | | 0,000 | 0 | 12 | 7 | | |
| 2 | _noorder | No single order | - | | | | | | | | |
| 3 | 50482400 | O-RING 103X1,5 | 1 | 103 x 1,5 | | 0,002 | 4 | 11 | 1 | | 18,0635 |
| 4 | 04134900 | BUSH 10,5X12,5X15 | 2 | 10,5 x 12,5 x 15 | | 0,004 | 1 | 11 | 1 | | 6,6885 |
| 5 | 01336801 | PISTON 97 EPA | 1 | part was replaced by 01336802 | | 0,000 | 0 | 11 | 7 | | |
| 6 | _noorder | No single order | - | | | | | | | | |
| 7 | 50381210 | CIRCLIP 25 X 1,2 | 2 | A 25 x 1,2 | | 0,001 | 4 | 13 | 1 | | 6,643 |
| 8 | 50481300 | GUDGEON PIN 25-68 | 1 | 25 x 12 x 68 | | 0,200 | 4 | 13 | 1 | | 107,653 |
| 9 | 01336900 | PISTON RING SET 97 | 1 | 97 mm | | 0,007 | 4 | 14 | 1 | | 170,625 |
| 10 | 01644310 | CYLINDER JACKET | 1 | | | 1,300 | 1 | 12 | 1 | | 541,359 |
| 11 | 01258302 | CONROD | 1 | | | 0,590 | 1 | 11 | 1 | | 701,5645 |
| 12 | _noorder | No single order | - | | | | | | | | |
| 13 | 04065600 | BUSH FOR CONROD | 1 | | | 0,015 | 4 | 12 | 1 | | 57,4665 |
| 14 | 04100500 | CONROD SCREW | 2 | | | 0,025 | 1 | 11 | 1 | | 18,473 |
| 15 | 04026500 | BIG END BEARING | 1 | | | 0,035 | 4 | 11 | 1 | | 37,0825 |
| 16 | 04065700 | BIG END BEAR.0,5- | 1 | - 0,5 mm | | 0,040 | 4 | 14 | 1 | | 74,1195 |
| 17 | 50330100 | O-RING 4X 1,2 | 2 | 4 x 1,2 | | 0,001 | 4 | 11 | 1 | d2 | 1,001 |
| 18 | 04135000 | OIL PRESSURE PIPE | 1 | part was replaced by 01655700 | | 0,012 | 0 | 11 | 1 | | |
| 19 | _noorder | No single order | - | | | | | | | | |
| 20 | 04171200 | GASKET | 1 | part was replaced by 04171201 | | 0,007 | 0 | 11 | 0 | | |
| K | 50342600 | GREASE START.DEVICE | 1 | 100 GRAMM part was replaced by 50342601 | | 0,100 | 0 | 12 | 0 | | |
| | | | | | | | | | | | |
| | | | | | | | | | | | |
| | | | | | | | | | | | |
| | | | | | | | | | | | |
| | | | | | | | | | | | |
| | | | | | | | | | | | |
| | | | | | | | | | | | |
| | | | | | | | | | | | |
| | | | | | | | | | | | |



**ORYGINALNE CZĘŚCI ZAMIENNE SERWIS GWARANCYJNY I POGWARANCYJNY WYMIARY
SERWISOWE ORAZ KATALOGI CZĘŚCI ZAMIENNYCH NA STRONIE WWW.WOBIS.PL/SERWIS**

| Pos. | Part no. | Description | Qty. | Notice | Add. notice | kg | EA | TA | DA | dDPW | List price |
|------|----------|---------------------|------|-------------------------------|-------------|-------|----|----|----|------|------------|
| 1 | 01644600 | CYLIND.HEAD 1 D50 | 1 | part was replaced by 01644610 | | 3,147 | 9 | 12 | 0 | | |
| 2 | _noorder | No single order | - | | | | | | | | |
| 3 | 04137500 | VALVE GUIDE | 2 | | | 0,024 | 4 | 12 | 1 | | 71,8445 |
| 4 | 50279200 | STUD M 8X 40 | 1 | M 8 x 40 DIN 835-8.8 A3C | | 0,019 | 4 | 11 | 1 | | 3,8675 |
| 5 | 01290920 | ROCKER SHAFT D31/41 | 1 | | | 0,110 | 1 | 11 | 1 | | 207,7985 |
| 6 | 04090000 | VALVE INLET | 1 | | | 0,085 | 4 | 11 | 1 | | 62,6535 |
| 7 | 04090100 | VALVE EXHAUST | 1 | | | 0,058 | 4 | 11 | 1 | | 78,3965 |
| 8 | 04005201 | WASHER | 2 | | | 0,015 | 1 | 11 | 1 | | 17,1535 |
| 9 | 04029300 | VALVE SPRING | 2 | | | 0,026 | 1 | 11 | 1 | | 17,5175 |
| 10 | 04029201 | CUP | 2 | | | 0,020 | 1 | 11 | 1 | | 32,669 |
| 11 | 03171910 | COLLET | 2 | | | 0,002 | 1 | 11 | 1 | | 13,5135 |
| 12 | 04003710 | ROCKER INLET | 1 | | | 0,055 | 1 | 11 | 1 | | 177,996 |
| 13 | _noorder | No single order | - | | | | | | | | |
| 14 | _noorder | No single order | - | | | | | | | | |
| 15 | 03778401 | SPRING SHEET | 1 | | | 0,002 | 1 | 11 | 1 | | 2,821 |
| 16 | _noorder | No single order | - | | | | | | | | |
| 17 | 50117200 | CIRCLIP | 1 | RA 4ME DIN 6799 | | 0,001 | 4 | 11 | 1 | | 0,455 |
| 18 | 03365710 | RATCHET F.DECOMPR. | 1 | | | 0,004 | 1 | 11 | 1 | | 30,303 |
| 19 | 03366001 | SPRING | 1 | | | 0,001 | 1 | 11 | 1 | | 5,5965 |
| 20 | 03783000 | ADJUSTING SCREW | 2 | | | 0,008 | 1 | 11 | 1 | | 18,928 |
| 21 | 03173100 | HEXAGON NUT | 2 | | | 0,004 | 1 | 11 | 1 | W2 | 5,1415 |
| 22 | _noorder | No single order | - | | | | | | | | |
| 23 | 50123800 | BALL 7 MM G100 | 1 | 7 mm III DIN 5401 | | 0,001 | 4 | 11 | 1 | | 2,002 |
| 24 | 04004700 | BUSH | 1 | | | 0,016 | 1 | 11 | 1 | | 45,864 |
| 25 | 04004800 | PRESSURE SPRING | 1 | | | 0,003 | 1 | 11 | 1 | | 3,6855 |
| 26 | 01245200 | ADJUSTING SCREW | 1 | | | 0,005 | 1 | 11 | 1 | | 32,214 |
| 27 | 50001100 | JOINT A12 X15,5 | 1 | A 12 x 15,5 DIN 7603-Cu | | 0,001 | 4 | 11 | 1 | D2 | 0,7735 |
| 28 | _nopart | Not in this engine | - | | | | | | | | |
| 29 | 40022401 | O-RING 8 X 2 GRAY | 1 | 8 x 2 FPM 75 MOLYKOT. | | 0,002 | 4 | 11 | 1 | d2 | 1,911 |
| 30 | 50034700 | PIN 4 X22 | 1 | 4 x 22 ISO 8752-ST | | 0,002 | 4 | 11 | 1 | | 1,4105 |

**ORYGINALNE CZĘŚCI ZAMIENNE SERWIS GWARANCYJNY I POGWARANCYJNY WYMIARY
SERWISOWE ORAZ KATALOGI CZĘŚCI ZAMIENNYCH NA STRONIE WWW.WOBIS.PL/SERWIS**

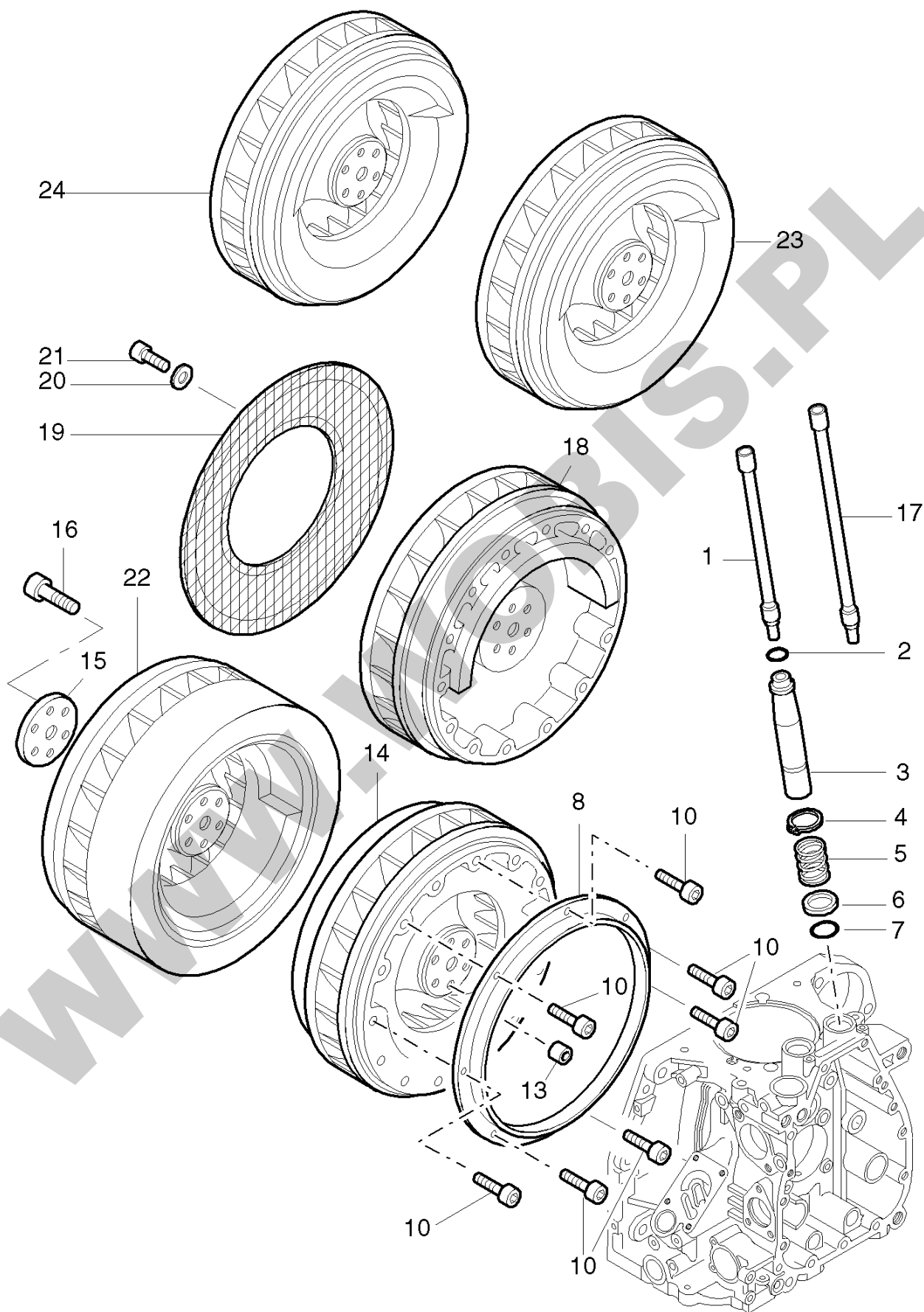
| Pos. | Part no. | Description | Qty. | Notice | Add. notice | kg | EA | TA | DA | dDPW | List price |
|------|----------|---------------------|--------|--|-------------|-------|----|----|----|-------|------------|
| 31 | 04009810 | HANDLE | 1 | | | 0,015 | 1 | 11 | 1 | | 9,6005 |
| 33 | _nopart | Not in this engine | - | | | | | | | | |
| 34 | _nopart | Not in this engine | - | | | | | | | | |
| 35 | 04135210 | GASK.F.CYL.HEAD 0,5 | 0... 1 | 0,5 mm part was replaced by 04135211 | | 0,022 | 0 | 11 | 7 | d1 | |
| 35 | 04136010 | GASK.CYL.HEAD 0,55 | 0... 1 | 0,55 mm | | 0,000 | 0 | 11 | 7 | | |
| 36 | 04135310 | GASK.F.CYL.HEAD 0,6 | 0... 1 | 0,6 mm | | 0,026 | 0 | 11 | 7 | d1 | |
| 36 | 04137910 | GASK.F.CYL.HEAD0,65 | 0... 1 | 0,65 mm | | 0,025 | 0 | 11 | 7 | | |
| 37 | 04135410 | GASK.F.CYL.HEAD 0,7 | 0... 1 | 0,7 mm part was replaced by 04135411 | | 0,030 | 0 | 11 | 7 | | |
| 37 | 04138010 | GASK.F.CYL.HEAD0,75 | 0... 1 | 0,75 mm part was replaced by 04138011 | | 0,000 | 0 | 11 | 7 | | |
| 38 | 04138110 | GASK.F.CYL.HEAD0,85 | 0... 1 | 0,85 mm part was replaced by 04138111 | | 0,000 | 0 | 11 | 7 | | |
| 38 | 04135510 | GASK.F.CYL.HEAD 0,8 | 0... 1 | 0,8 mm part was replaced by 04135511 | | 0,000 | 0 | 11 | 7 | | |
| 39 | 04135610 | GASK.F.CYL.HEAD 0,9 | 0... 1 | 0,9 mm part was replaced by 04135611 | | 0,000 | 0 | 11 | 7 | | |
| 39 | 04138210 | GASK.F.CYL.HEAD0,95 | 0... 1 | 0,95 mm part was replaced by 04138211 | | 0,000 | 0 | 11 | 7 | | |
| 40 | 04138310 | GASK.F.CYL.HEAD1,05 | 0... 1 | 1,05 mm part was replaced by 04138311 | | 0,000 | 0 | 11 | 7 | | |
| 40 | 04135710 | GASK.F.CYL.HEAD 1,0 | 0... 1 | 1,0 mm part was replaced by 04135711 | | 0,000 | 0 | 11 | 7 | | |
| 41 | 04135810 | GASK.F.CYL.HEAD 1,1 | 0... 1 | 1,1 mm | | 0,000 | 0 | 11 | 7 | | |
| 42 | 04135910 | GASK.F.CYL.HEAD 1,2 | 0... 1 | 1,2 mm | | 0,000 | 0 | 11 | 7 | | |
| 43 | _nopart | Not in this engine | - | | | | | | | | |
| 44 | 04028600 | CYL.HEAD SCREW251MM | 2 | 251,5 mm | | 0,152 | 1 | 11 | 1 | | 69,888 |
| 45 | 04028500 | CYL.HEAD SCREW174MM | 2 | 174 mm | | 0,093 | 1 | 11 | 1 | | 57,694 |
| 46 | 04006111 | GASKET | 1 | | | 0,003 | 1 | 11 | 1 | d1,W3 | 10,01 |
| 47 | 01245413 | COVER CYL.HEAD | 1 | | | 0,245 | 1 | 11 | 5 | | 121,94 |
| 48 | 50081200 | SPRING WASHER A 6 | 4 | A 6 DIN 137 - A3C | | 0,001 | 4 | 11 | 1 | P4 | 0,455 |
| 49 | 50170800 | ALL.SCR.M 6X 25 | 4 | M 6 x 25 DIN 912 - 8.8 A3C | | 0,008 | 4 | 11 | 1 | P2 | 1,8655 |

**ORYGINALNE CZĘŚCI ZAMIENNE SERWIS GWARANCYJNY I POGWARANCYJNY WYMIARY
SERWISOWE ORAZ KATALOGI CZĘŚCI ZAMIENNYCH NA STRONIE WWW.WOBIS.PL/SERWIS**

| Pos. | Part no. | Description | Qty. | Notice | Add. notice | kg | EA | TA | DA | dDPW | List price |
|------|----------|---------------------|------|--------------------------|-------------|-------|----|----|----|------|------------|
| 50 | 04008100 | LIFTING BRACKET | 1 | | | 0,071 | 1 | 11 | 1 | | 41,496 |
| 51 | 50175900 | ALL.SCR.M 8X 30 | 2 | M 8 x 30 DIN 912-8.8 A3C | | 0,017 | 4 | 11 | 1 | | 2,6845 |
| 52 | 50208500 | SPRING WASHER 8 | 2 | 8 DIN 128 A3C | | 0,001 | 4 | 11 | 1 | | 1,4105 |
| 53 | 01493200 | OIL FIL.DEV."S"46MM | 1 | | S,Z,T,U | 0,080 | 1 | 12 | 1 | | 53,8265 |
| 54 | _noorder | No single order | - | | | | | | | | |
| 55 | 50326200 | O-RING 11,3X2,4 | 2 | 11,3 x 2,4 | | 0,001 | 4 | 11 | 1 | d2 | 2,3205 |
| 56 | _noorder | No single order | - | | | | | | | | |
| 57 | 01308301 | CLOSG.PLUG "S"46MM | 1 | | S,Z,T,U | 0,012 | 1 | 11 | 1 | P1 | 14,0595 |
| 60 | 01337500 | OIL PRESSURE PIPE | 1 | | | 0,021 | 1 | 11 | 1 | | 28,756 |
| 61 | 03794100 | WASHER | 4 | 10,1 x 22 x 3 | | 0,006 | 1 | 11 | 1 | | 10,4195 |
| 62 | 04008000 | BUSH 9,2X17,2X10 | 2 | 9,2 x 17,2 x 10 | | 0,013 | 1 | 11 | 1 | | 6,9615 |
| 63 | 03457500 | DISC F.STUD | 2 | 12,5 x 24 x 2,5 | | 0,006 | 1 | 11 | 1 | | 7,553 |
| 64 | 50353300 | CIRCLIP KL14S | 2 | | | 0,002 | 4 | 11 | 1 | | 10,192 |
| 66 | 04004200 | PRESSURE SPRING | 1 | | | 0,001 | 1 | 11 | 1 | | 1,7745 |
| 67 | 50330100 | O-RING 4X 1,2 | 2 | 4 x 1,2 | | 0,001 | 4 | 11 | 1 | d2 | 1,001 |
| 68 | _nopart | Not in this engine | - | | | | | | | | |
| 69 | _nopart | Not in this engine | - | | | | | | | | |
| 70 | _nopart | Not in this engine | - | | | | | | | | |
| 71 | _nopart | Not in this engine | - | | | | | | | | |
| 72 | _noorder | No single order | - | | | | | | | | |
| 74 | _nopart | Not in this engine | - | | | | | | | | |
| 75 | _nopart | Not in this engine | - | | | | | | | | |
| 76 | _nopart | Not in this engine | - | | | | | | | | |
| 77 | _nopart | Not in this engine | - | | | | | | | | |
| 78 | _nopart | Not in this engine | - | | | | | | | | |
| 79 | _nopart | Not in this engine | - | | | | | | | | |
| 80 | _nopart | Not in this engine | - | | | | | | | | |
| 81 | _nopart | Not in this engine | - | | | | | | | | |
| 82 | _nopart | Not in this engine | - | | | | | | | | |
| 83 | 50405700 | VALVE STEM SEAL CAP | 2 | | | 0,002 | 4 | 11 | 1 | d2 | 8,099 |

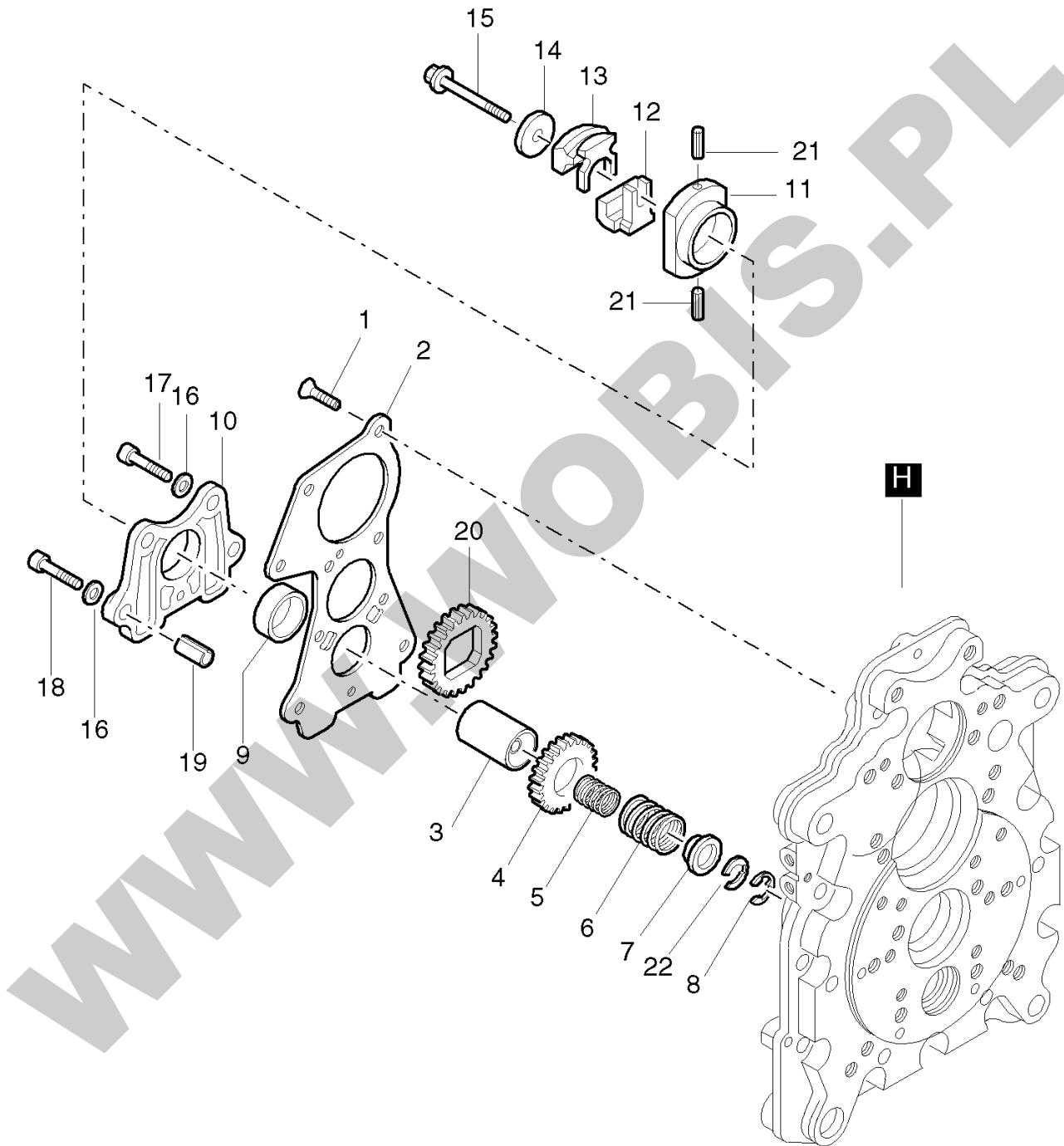
**ORYGINALNE CZĘŚCI ZAMIENNE SERWIS GWARANCYJNY I POGWARANCYJNY WYMIARY
SERWISOWE ORAZ KATALOGI CZĘŚCI ZAMIENNYCH NA STRONIE WWW.WOBIS.PL/SERWIS**

| Pos. | Part no. | Description | Qty. | Notice | Add. notice | kg | EA | TA | DA | dDPW | List price |
|------|----------|---------------------|------|--|-------------|-------|----|----|----|------|------------|
| 84 | 04070400 | SEALING STRIP | 1 | 60 mm | | 0,010 | 9 | 11 | 0 | | 9,4185 |
| 85 | 01285010 | ROCKER EXHAUST | 1 | | | 0,065 | 1 | 12 | 1 | | 158,977 |
| 86 | _nopart | Not in this engine | - | | | | | | | | |
| 88 | _nopart | Not in this engine | - | | | | | | | | |
| 89 | _nopart | Not in this engine | - | | | | | | | | |
| 90 | 04104900 | PIN | 1 | (ø 5 mm) | | 0,001 | 1 | 11 | 1 | | 11,102 |
| 91 | 01557600 | GEARWHEEL F.DECOMPR | 1 | | | 0,040 | 1 | 12 | 1 | | 147,5565 |
| 92 | _noorder | No single order | - | | | | | | | | |
| 93 | 01613100 | CAP SCREW | 1 | | | 0,017 | 1 | 11 | 1 | | 13,104 |
| 94 | _noorder | No single order | - | | | | | | | | |
| 95 | 04125000 | SEALING RING | 2 | 26 x 35 x3 | | 0,002 | 1 | 11 | 1 | | 3,8675 |
| 96 | 03658400 | INTERMEDIATE PIECE | 1 | | | 0,030 | 1 | 11 | 4 | | 39,039 |
| 97 | 01620000 | CYL.HD.COV.OIL FILL | 1 | | | 0,300 | 1 | 22 | 2 | | 186,4135 |
| K | 50342600 | GREASE START.DEVICE | 1 | 100 GRAMM part was replaced by 50342601 | | 0,100 | 0 | 12 | 0 | | |
| | | | | | | | | | | | |
| | | | | | | | | | | | |
| | | | | | | | | | | | |
| | | | | | | | | | | | |
| | | | | | | | | | | | |
| | | | | | | | | | | | |
| | | | | | | | | | | | |
| | | | | | | | | | | | |
| | | | | | | | | | | | |
| | | | | | | | | | | | |
| | | | | | | | | | | | |
| | | | | | | | | | | | |
| | | | | | | | | | | | |
| | | | | | | | | | | | |
| | | | | | | | | | | | |
| | | | | | | | | | | | |
| | | | | | | | | | | | |
| | | | | | | | | | | | |
| | | | | | | | | | | | |
| | | | | | | | | | | | |
| | | | | | | | | | | | |
| | | | | | | | | | | | |
| | | | | | | | | | | | |
| | | | | | | | | | | | |
| | | | | | | | | | | | |
| | | | | | | | | | | | |
| | | | | | | | | | | | |
| | | | | | | | | | | | |
| | | | | | | | | | | | |
| | | | | | | | | | | | |
| | | | | | | | | | | | |
| | | | | | | | | | | | |
| | | | | | | | | | | | |
| | | | | | | | | | | | |
| | | | | | | | | | | | |
| | | | | | | | | | | | |
| | | | | | | | | | | | |
| | | | | | | | | | | | |
| | | | | | | | | | | | |
| | | | | | | | | | | | |
| | | | | | | | | | | | |
| | | | | | | | | | | | |
| | | | | | | | | | | | |
| | | | | | | | | | | | |



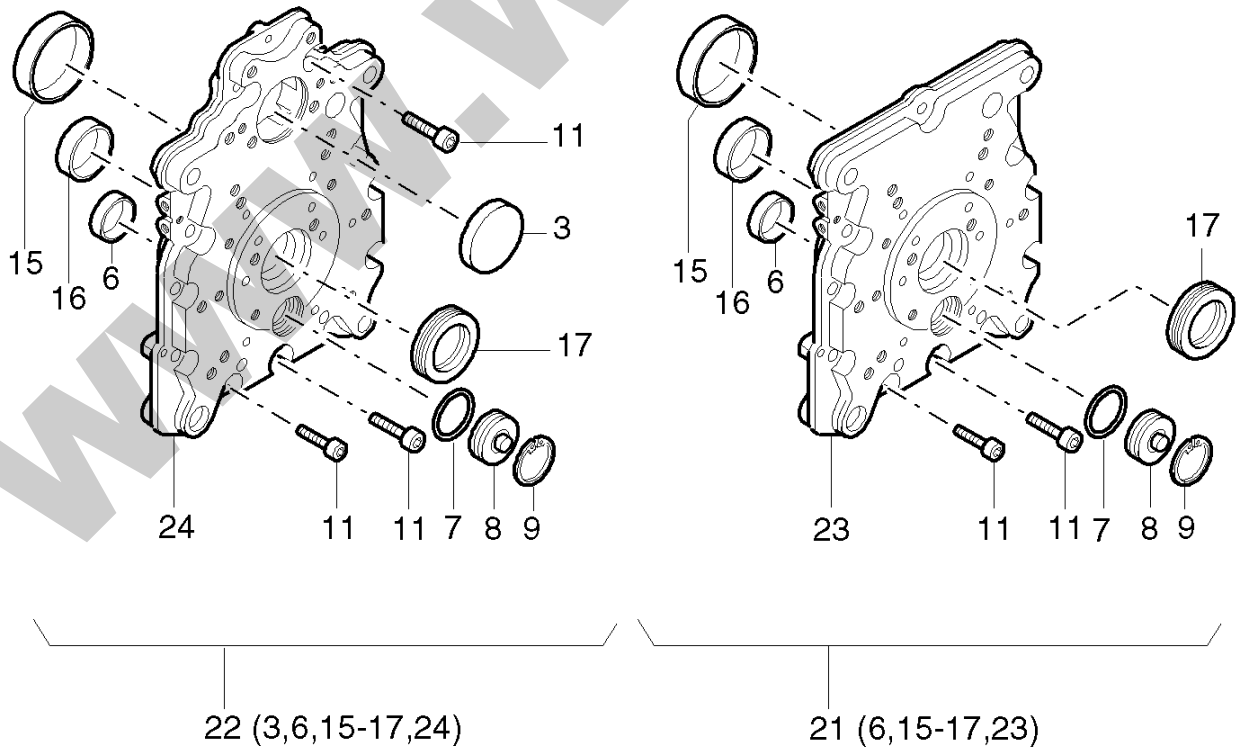
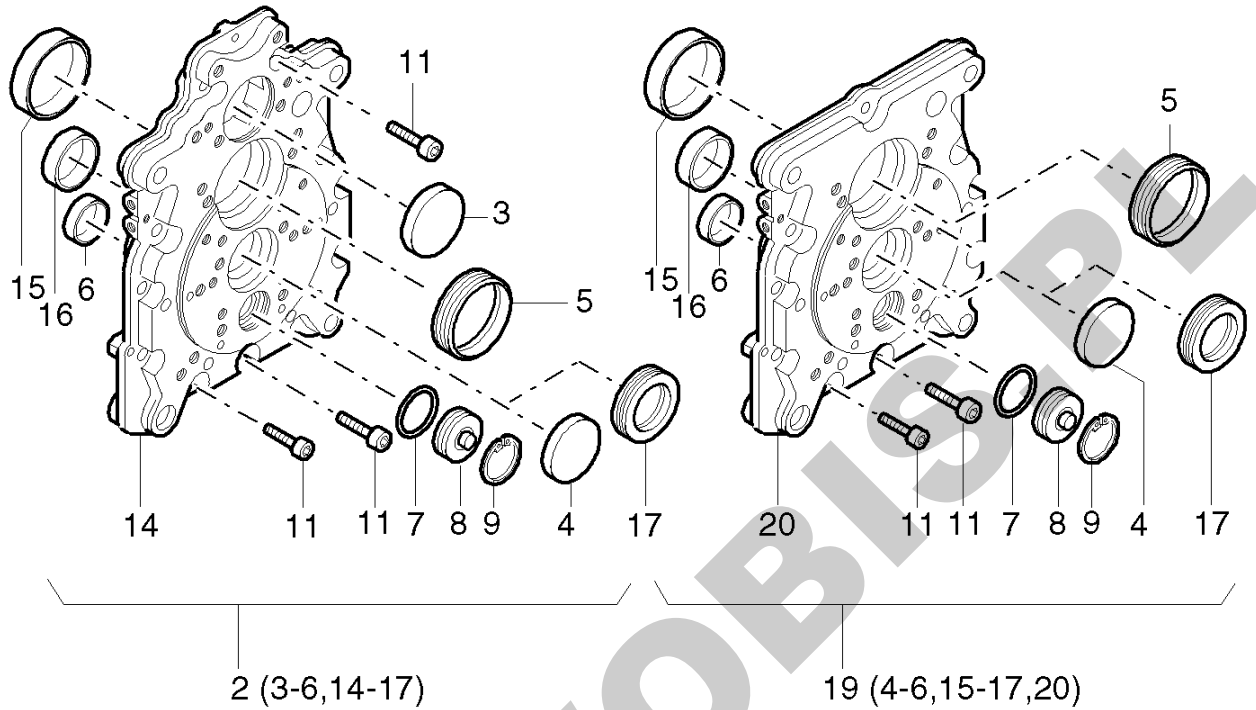
**ORYGINALNE CZĘŚCI ZAMIENNE SERWIS GWARANCYJNY I POGWARANCYJNY WYMIARY
SERWISOWE ORAZ KATALOGI CZĘŚCI ZAMIENNYCH NA STRONIE WWW.WOBIS.PL/SERWIS**

| Pos. | Part no. | Description | Qty. | Notice | Add. notice | kg | EA | TA | DA | dDPW | List price |
|------|----------|---------------------|------|-----------------------------------|-------------|--------|----|----|----|------|------------|
| 1 | 01259310 | PUSHROD | 2 | | | 0,048 | 1 | 11 | 1 | | 121,6215 |
| 2 | 50330200 | O-RING 19X3 N | 2 | 19 x 3 | | 0,001 | 4 | 11 | 1 | d2 | 4,1405 |
| 3 | 04027200 | PROTECTION TUBE | 2 | | | 0,064 | 1 | 11 | 1 | | 37,947 |
| 4 | 50347000 | CIRCLIP AS 24X1,75 | 2 | AS 24 x 1,75 DIN 471 | | 0,002 | 4 | 11 | 1 | P2 | 6,0515 |
| 5 | 04002600 | PRESSURE SPRING | 2 | | | 0,015 | 1 | 11 | 1 | | 9,737 |
| 6 | 04002000 | PRESSURE RING | 2 | | | 0,003 | 1 | 11 | 1 | | 2,912 |
| 7 | 50411300 | O-RING 23X3,5 GREEN | 2 | 23 x 3,5 grün, green, vert, verde | | 0,002 | 4 | 11 | 1 | d2 | 8,6905 |
| 8 | 04030601 | RING F.FLYWHEEL | 1 | | | 0,140 | 1 | 11 | 1 | | 40,404 |
| 10 | 50397100 | ALL.SCR.M 4 X 10 | 6 | M 4 x 10 DIN 912-8.8 A3C Tuf. | | 0,002 | 4 | 11 | 1 | | 2,3205 |
| 13 | 04033000 | BUSH | 1 | | | 0,004 | 1 | 11 | 1 | | 8,554 |
| 14 | 04143700 | FLYWHEEL STD. L | 1 | part was replaced by 04143701 | | 27,022 | 0 | 11 | 7 | | |
| 15 | 04026600 | RETAINING PLATE | 1 | | | 0,020 | 1 | 11 | 1 | | 16,835 |
| 16 | 50132800 | ALL.SCR. M 10X 40 | 6 | M 10 x 40 DIN 912 - 10.9 | | 0,032 | 4 | 11 | 1 | | 4,4135 |
| 17 | 01263610 | PUSHROD T/U | 1 | | | 0,058 | 1 | 11 | 0 | | 141,6415 |
| 18 | 04145101 | FLYWHEEL D50 T/U | 1 | | | 14,795 | 9 | 11 | 0 | | 1443,624 |
| 19 | _nopart | Not in this engine | - | | | | | | | | |
| 20 | _nopart | Not in this engine | - | | | | | | | | |
| 21 | _nopart | Not in this engine | - | | | | | | | | |
| 22 | _nopart | Not in this engine | - | | | | | | | | |
| 23 | _nopart | Not in this engine | - | | | | | | | | |
| 24 | _nopart | Not in this engine | - | | | | | | | | |
| | | | | | | | | | | | |
| | | | | | | | | | | | |
| | | | | | | | | | | | |
| | | | | | | | | | | | |
| | | | | | | | | | | | |
| | | | | | | | | | | | |
| | | | | | | | | | | | |
| | | | | | | | | | | | |
| | | | | | | | | | | | |



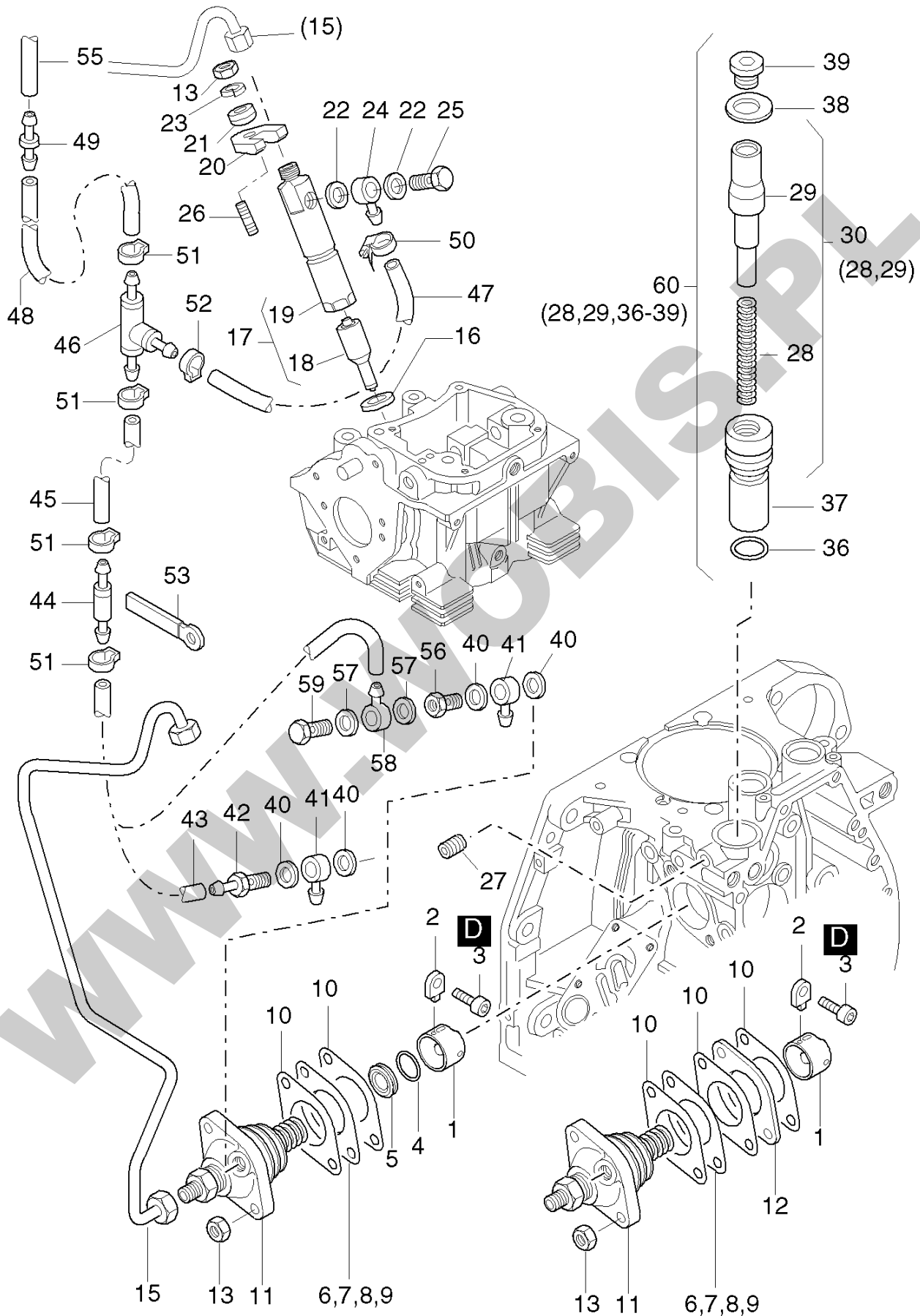
**ORYGINALNE CZĘŚCI ZAMIENNE SERWIS GWARANCYJNY I POGWARANCYJNY WYMIARY
SERWISOWE ORAZ KATALOGI CZĘŚCI ZAMIENNYCH NA STRONIE WWW.WOBIS.PL/SERWIS**

| Pos. | Part no. | Description | Qty. | Notice | Add. notice | kg | EA | TA | DA | dDPW | List price |
|------|----------|---------------------|--------|--------------------------------|-------------|-------|----|----|----|------|------------|
| 1 | 50328000 | CTR.SUNK SCR.AM6X16 | 5 | AM 6 x 16 17065 - 8.8 Zn | | 0,004 | 4 | 11 | 1 | | 2,6845 |
| 2 | 03797412 | COVER F. OIL PUMP | 1 | | | 0,226 | 1 | 11 | 1 | | 112,0665 |
| 3 | 01242401 | SPRING CAPSULE+BUSH | 1 | | | 0,090 | 1 | 11 | 1 | | 187,9605 |
| 4 | 03797310 | GEARWHEEL | 1 | | | 0,056 | 1 | 11 | 1 | | 148,5575 |
| 5 | 04008801 | GOVERNOR SPRING 1,9 | 0... 1 | ∅ 1,9 mm 1801...2300 min-1 | * | 0,006 | 1 | 11 | 1 | | 11,6025 |
| 5 | 04052900 | GOVERNOR SPRING 1,7 | 0... 1 | ∅ 1,7 mm 1501...1800 min-1 | | 0,006 | 1 | 11 | 1 | | 12,649 |
| 5 | 04052800 | GOVERNOR SPRING 1,6 | 0... 1 | ∅ 1,6 mm ... 1500 min-1 | | 0,006 | 1 | 11 | 1 | | 12,0575 |
| 6 | 04089600 | GOVERNOR SPRING 2,8 | 0... 1 | ∅ 2,8 mm 3000 min-1 Gen.PV78 | | 0,020 | 1 | 11 | 1 | | 54,2815 |
| 6 | 04063400 | GOVERNOR SPRING 2,8 | 0... 1 | ∅ 2,8 mm 2301...3000 min-1 | * | 0,016 | 1 | 11 | 1 | | 20,2475 |
| 6 | 04070800 | GOVERNOR SPRING 2,6 | 0... 1 | ∅ 2,6 mm 2301...2500 min-1 | | 0,015 | 1 | 11 | 1 | | 19,292 |
| 7 | 03798600 | CUP | 1 | | | 0,005 | 1 | 11 | 1 | | 13,104 |
| 8 | 50334700 | CIRCLIP 5 | 1 | 5 ME DIN 6799 | | 0,001 | 4 | 11 | 1 | | 0,455 |
| 9 | 03797600 | BEARING BUSH | 1 | | | 0,009 | 9 | 11 | 0 | | 29,12 |
| 10 | 03797510 | HOUSING FOR OILPUMP | 1 | part was replaced by 01869300 | | 0,078 | 0 | 11 | 0 | | |
| 11 | 03797701 | PLATE CENTRIF.WEIGH | 1 | | | 0,085 | 1 | 11 | 1 | | 136,409 |
| 12 | 03798002 | CENTRIFUGAL WEIGHT | 1 | | | 0,056 | 1 | 11 | 1 | | 94,549 |
| 13 | 03798102 | CENTRIFUGAL WEIGHT | 1 | | | 0,055 | 1 | 11 | 1 | | 94,549 |
| 14 | 03797900 | WASHER | 1 | | | 0,008 | 1 | 11 | 1 | | 24,661 |
| 15 | 03797801 | PIN | 1 | | | 0,016 | 1 | 11 | 1 | | 49,049 |
| 16 | 50081200 | SPRING WASHER A 6 | 5 | A 6 DIN 137 - A3C | | 0,001 | 4 | 11 | 1 | | 0,455 |
| 17 | 50170800 | ALL.SCR.M 6X 25 | 3 | M 6 x 25 DIN 912 - 8.8 A3C | | 0,008 | 4 | 11 | 1 | | 1,8655 |
| 18 | 50051000 | ALL.SCR.M 6X 30 | 2 | M 6 x 30 DIN 912-8.8 | | 0,009 | 4 | 11 | 1 | | 1,729 |
| 19 | 50084901 | PIN 8 X 12 | 2 | 8 x 12 DIN 7346 55 Si 7 2Fasen | | 0,003 | 4 | 11 | 1 | | 1,4105 |
| 20 | 03798720 | GEARWHEEL | 1 | | | 0,061 | 1 | 11 | 1 | | 136,955 |
| 21 | 50260501 | ROLL PIN 2X10 | 2 | 2 x 10 ISO 8752-ST | | 0,001 | 4 | 11 | 1 | | 1,0465 |
| 22 | 04046000 | CIRCLIP | 0... 3 | 0,5 mm | | 0,001 | 1 | 11 | 1 | | 2,3205 |
| H | 50282501 | SILICON SEALER | 1 | 30ML 1207 | | 0,055 | 4 | 12 | 1 | | 48,23 |
| | | | | | | | | | | | |
| | | | | | | | | | | | |



**ORYGINALNE CZĘŚCI ZAMIENNE SERWIS GWARANCYJNY I POGWARANCYJNY WYMIARY
SERWISOWE ORAZ KATALOGI CZĘŚCI ZAMIENNYCH NA STRONIE WWW.WOBIS.PL/SERWIS**

| Pos. | Part no. | Description | Qty. | Notice | Add. notice | kg | EA | TA | DA | dDPW | List price |
|------|----------|---------------------|------|--|-------------|-------|----|----|----|------|------------|
| 2 | _nopart | Not in this engine | - | | | | | | | | |
| 3 | _nopart | Not in this engine | - | | | | | | | | |
| 4 | 50325700 | COVER 52 | 1 | 52 | | 0,021 | 4 | 11 | 1 | | 22,659 |
| 5 | 50325810 | OIL SEAL 54X 70X 8 | 1 | 54 x 70 x 8 part was replaced by 50325811 | | 0,000 | 0 | 11 | 7 | D1 | |
| 6 | 03797600 | BEARING BUSH | 1 | | | 0,009 | 9 | 11 | 0 | | 29,12 |
| 7 | 50330400 | O-RING 27X2N | 1 | 27 x 2 | | 0,001 | 4 | 11 | 1 | D1 | 5,4145 |
| 8 | 04000400 | COVER | 1 | | | 0,005 | 1 | 11 | 1 | | 27,30 |
| 9 | 50399000 | CIRCLIP 32 X 1,2 | 1 | JL 32 x 1,2 DIN 472 | | 0,003 | 4 | 11 | 1 | | 7,644 |
| 11 | 50417400 | ALL.SCREW M 8X30 Z3 | 12 | M 8 x 30 DIN 912-8.8 A3C/6900 | | 0,017 | 4 | 11 | 1 | | 3,367 |
| 14 | _nopart | Not in this engine | - | | | | | | | | |
| 15 | 04000310 | BEARING BUSH | 1 | | | 0,036 | 1 | 11 | 1 | | 105,9695 |
| 16 | 04023210 | BEARING BUSH | 1 | | | 0,020 | 1 | 11 | 1 | | 58,513 |
| 17 | 50364700 | OIL SEAL 32X 52X 7 | 1 | 32 x 52 x 7 part was replaced by 50364701 | | 0,000 | 0 | 11 | 7 | | |
| 19 | 01293410 | TIMING COVER SAE | 1 | SAE | | 2,210 | 1 | 12 | 0 | | 1097,5055 |
| 20 | _noorder | No single order | - | | | | | | | | |
| 21 | 01280910 | TIMING COVER NO.3 | 1 | | | 2,200 | 1 | 12 | 0 | | 1111,929 |
| 22 | _nopart | Not in this engine | - | | | | | | | | |
| 23 | _noorder | No single order | - | | | | | | | | |
| 24 | _nopart | Not in this engine | - | | | | | | | | |
| | | | | | | | | | | | |
| | | | | | | | | | | | |
| | | | | | | | | | | | |
| | | | | | | | | | | | |
| | | | | | | | | | | | |
| | | | | | | | | | | | |
| | | | | | | | | | | | |
| | | | | | | | | | | | |
| | | | | | | | | | | | |
| | | | | | | | | | | | |
| | | | | | | | | | | | |
| | | | | | | | | | | | |
| | | | | | | | | | | | |

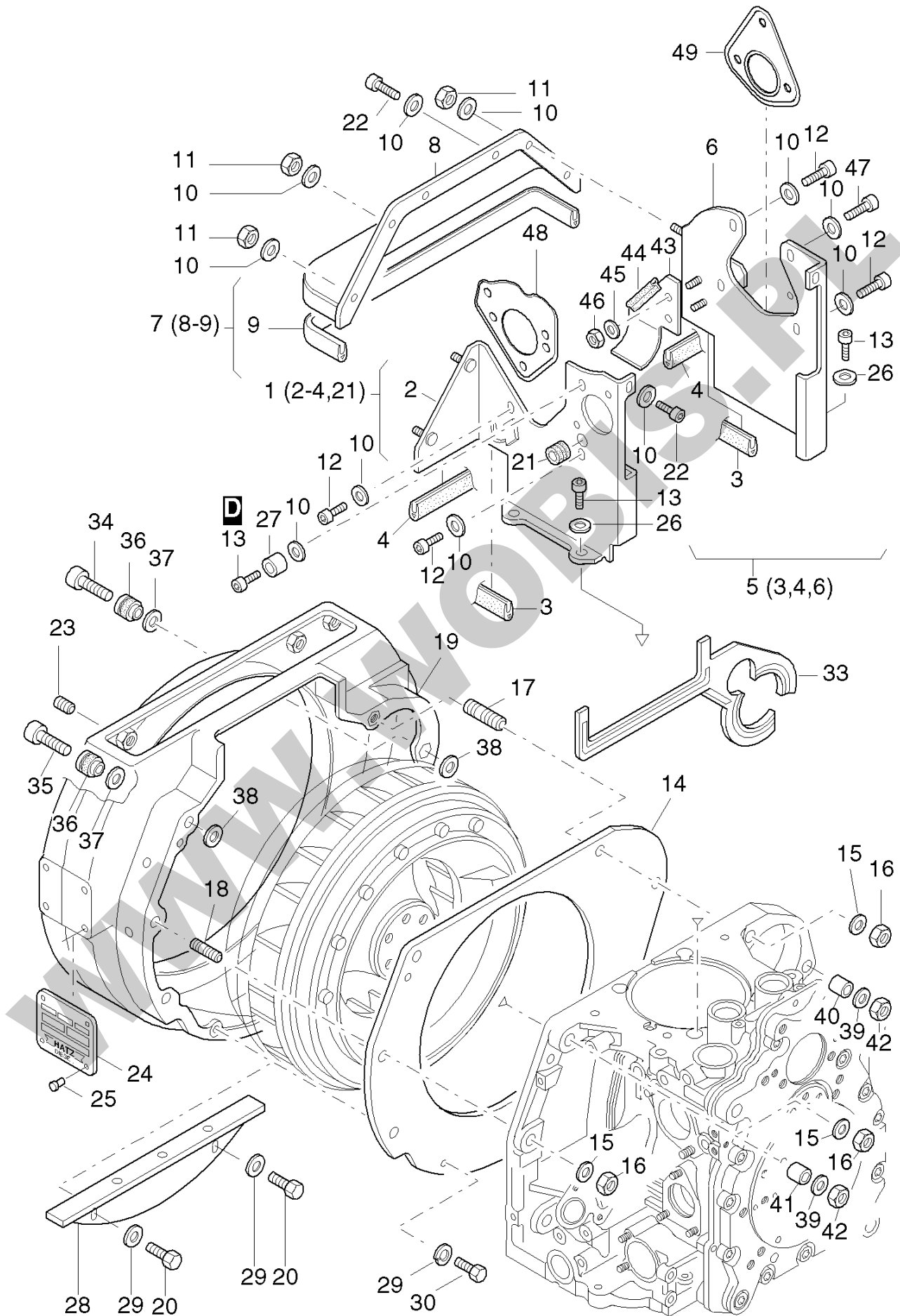


**ORYGINALNE CZĘŚCI ZAMIENNE SERWIS GWARANCYJNY I POGWARANCYJNY WYMIARY
SERWISOWE ORAZ KATALOGI CZĘŚCI ZAMIENNYCH NA STRONIE WWW.WOBIS.PL/SERWIS**

| Pos. | Part no. | Description | Qty. | Notice | Add. notice | kg | EA | TA | DA | dDPW | List price |
|------|----------|---------------------|--------|-------------------------------|-------------|-------|----|----|----|------|------------|
| 1 | 50331501 | ROLLER TAPPET CPL. | 1 | | | 0,038 | 4 | 11 | 5 | | 105,6055 |
| 2 | 04144002 | GUIDE | 1 | | | 0,004 | 1 | 11 | 5 | | 9,191 |
| 3 | 50050600 | ALL.SCR.M 6X 12 | 1 | M 6 x 12 DIN 912-8.8 | | 0,005 | 4 | 11 | 1 | | 1,729 |
| 4 | 50363400 | O-RING 17X 1,2 | 0... 1 | 17 x 1,2 | | 0,001 | 4 | 11 | 1 | D1 | 5,0505 |
| 4 | 50390200 | O-RING 17 X 1,1 | 0... 1 | 17 x 1,1 | | 0,001 | 4 | 11 | 1 | | 4,4135 |
| 5 | 04011700 | PLATE | 1 | | | 0,007 | 1 | 11 | 5 | | 29,12 |
| 6 | 03209700 | SHIM 0,3 | 0... 1 | 0,30 mm | | 0,003 | 1 | 11 | 1 | | 6,6885 |
| 7 | 04102400 | SHIM 0,60/42,2 | 0... 1 | 0,60 mm | | 0,001 | 1 | 11 | 1 | | 3,8675 |
| 8 | 04102500 | SHIM 0,90/42,2 | 0... 1 | 0,90 mm | | 0,009 | 1 | 11 | 1 | | 4,459 |
| 9 | 04102600 | SHIM 1,20/42,2 | 0... 1 | 1,20 mm | | 0,013 | 1 | 11 | 1 | | 4,9595 |
| 10 | 04071300 | GASKET | 0... 2 | 0,10 mm | | 0,001 | 1 | 11 | 1 | D3 | 2,821 |
| 10 | 04102200 | GASKT.INJC.PUMP 0,2 | 0... 2 | 0,20 mm | | 0,001 | 1 | 11 | 1 | | 5,278 |
| 10 | 04102300 | GASKT.INJC.PUMP 0,3 | 0... 2 | 0,30 mm | | 0,001 | 1 | 11 | 1 | | 5,6875 |
| 11 | 50475201 | INJECTION PUMP EPA | 1 | | | 0,693 | 4 | 11 | 5 | | 561,5155 |
| 12 | _nopart | Not in this engine | - | | | | | | | | |
| 13 | 50148000 | HEXAGON NUT M 8 | 3 | M 8 DIN 934-8 A3C | | 0,005 | 4 | 11 | 1 | | 1,4105 |
| 15 | 01311800 | FUEL PRESS PIPE | 1 | part was replaced by 01311801 | | 0,131 | 0 | 11 | 0 | | |
| 16 | 04025800 | JOINT WASHER | 1 | 2,0 MM | | 0,002 | 1 | 11 | 1 | d1 | 4,1405 |
| 17 | 50475101 | INJECTOR | 1 | | | 0,199 | 4 | 11 | 5 | | 451,9515 |
| 18 | 50479401 | NOZZLE DSLA 155P839 | 1 | | | 0,030 | 4 | 13 | 0 | P1 | 257,257 |
| 19 | _noorder | No single order | - | | | | | | | | |
| 20 | 03792401 | FLANGE | 1 | | | 0,054 | 1 | 11 | 1 | | 22,0675 |
| 21 | 04035700 | WASHER | 1 | | | 0,007 | 1 | 11 | 1 | | 6,279 |
| 22 | 50000800 | JOINT A 6,5X 9,5 | 2 | A 6,5 x 9,5 DIN 7603-Cu | | 0,001 | 4 | 11 | 1 | d2 | 0,455 |
| 23 | 50208500 | SPRING WASHER 8 | 1 | 8 DIN 128 A3C | | 0,001 | 4 | 11 | 1 | | 1,4105 |
| 24 | 50333400 | BANJO CONNECTION | 1 | | | 0,005 | 4 | 11 | 1 | | 12,8765 |
| 25 | 50313000 | BANJO BOLT M 6 | 1 | M 6 | | 0,005 | 4 | 11 | 1 | | 10,556 |
| 26 | 50279200 | STUD M 8X 40 | 1 | M 8 x 40 DIN 835-8.8 A3C | | 0,019 | 4 | 11 | 1 | | 3,8675 |
| 27 | 50004600 | GRUB SCREW M 8X16 | 1 | M 8 x 16 DIN 916-45H A3C | | 0,003 | 4 | 11 | 1 | | 2,912 |
| 28 | 05035200 | PRESSURE SPRING | 1 | | | 0,005 | 1 | 11 | 1 | | 7,007 |

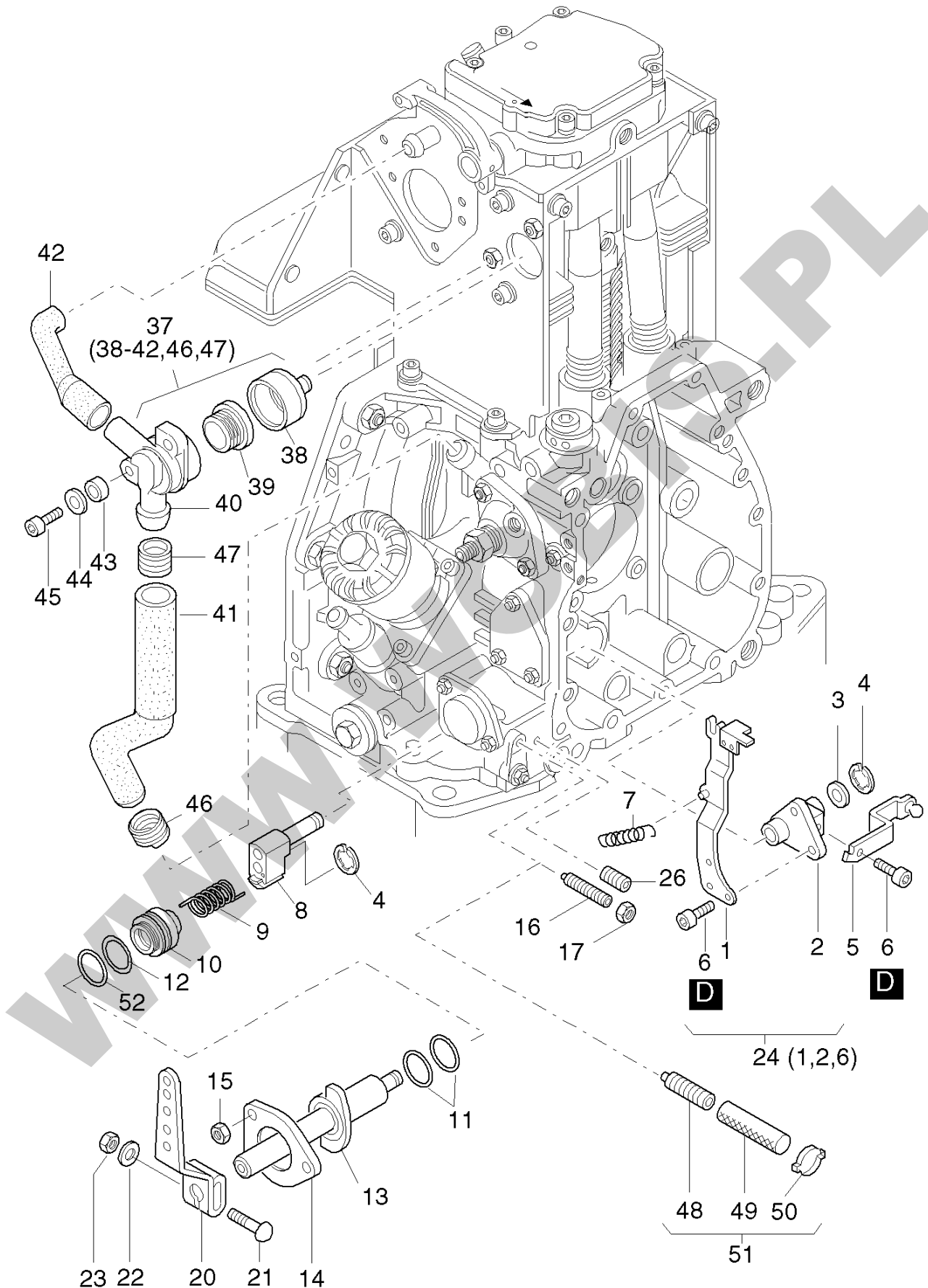
**ORYGINALNE CZĘŚCI ZAMIENNE SERWIS GWARANCYJNY I POGWARANCYJNY WYMIARY
SERWISOWE ORAZ KATALOGI CZĘŚCI ZAMIENNYCH NA STRONIE WWW.WOBIS.PL/SERWIS**

| Pos. | Part no. | Description | Qty. | Notice | Add. notice | kg | EA | TA | DA | dDPW | List price |
|------|----------|---------------------|--------|---------------------------------|-------------|-------|----|----|----|------|------------|
| 29 | _noorder | No single order | - | | | | | | | | |
| 30 | 01519500 | PIST.+SPRG.EXT.FUEL | 1 | | | 0,055 | 1 | 12 | 1 | | 87,2235 |
| 36 | 50328900 | O-RING 22X1,6 | 1 | 22 x 1,6 | | 0,001 | 4 | 11 | 1 | D2 | 2,3205 |
| 37 | 04001410 | CYL.F.EXTR.FUEL DEV | 1 | | | 0,245 | 1 | 11 | 1 | | 140,686 |
| 38 | 04001600 | DISC | 1 | | | 0,009 | 1 | 11 | 1 | | 4,368 |
| 39 | 50330800 | CLOS.SCREW M16X1,5 | 1 | M 16 x 1,5 DIN 908-5.8 A3C Tuf. | | 0,019 | 4 | 11 | 1 | | 12,376 |
| 40 | 50001100 | JOINT A12 X15,5 | 2 | A 12 x 15,5 DIN 7603-Cu | | 0,001 | 4 | 11 | 1 | D2 | 0,7735 |
| 41 | 50015800 | RING PIECE NW6 | 1 | NW 6 | | 0,015 | 4 | 11 | 1 | | 13,3315 |
| 42 | 03662300 | HOSE NIPPLE | 1 | | | 0,034 | 1 | 11 | 5 | | 25,0705 |
| 43 | 03664200 | FUEL HOSE 5,0 X 130 | 1 | 5 x 2,5 - 130 mm | | 0,007 | 1 | 11 | 1 | | |
| 44 | 00805502 | VENT VALVE | 1 | | | 0,004 | 1 | 11 | 1 | P1 | 13,5135 |
| 45 | 03807100 | FUEL HOSE 5,0X 150 | 1 | 5 x 150 mm | | 0,010 | 1 | 11 | 1 | | |
| 46 | 03989601 | HOSE NIPPLE T | 1 | | ""S-Z"" | 0,002 | 1 | 11 | 1 | | 6,279 |
| 47 | 03962100 | FUEL HOSE 3,5X 160 | 1 | 3,5 x 2,5 - 160 mm | | 0,007 | 1 | 11 | 1 | | |
| 48 | _nopart | Not in this engine | - | | | | | | | | |
| 49 | _nopart | Not in this engine | - | | | | | | | | |
| 50 | _nopart | Not in this engine | - | | | | | | | | |
| 51 | _nopart | Not in this engine | - | | | | | | | | |
| 52 | _nopart | Not in this engine | - | | | | | | | | |
| 53 | 05001200 | CLIP | 1 | | | 0,005 | 1 | 21 | 1 | | 7,644 |
| 55 | _noorder | No single order | - | | | | | | | | |
| 56 | _nopart | Not in this engine | - | | | | | | | | |
| 57 | _nopart | Not in this engine | - | | | | | | | | |
| 58 | _nopart | Not in this engine | - | | | | | | | | |
| 59 | _nopart | Not in this engine | - | | | | | | | | |
| 60 | 01499001 | PIST.+CYL.EXTR.FUEL | 0... 1 | | ""T"" | 0,319 | 1 | 21 | 2 | | 219,4465 |
| 60 | 01498902 | PIST.+CYL.EXTR.FUEL | 0... 1 | | | 0,328 | 1 | 11 | 1 | | 163,163 |
| D | 50223300 | LOCTITE 221 | 1 | 50 ML | | 0,077 | 4 | 12 | 0 | | 99,0535 |
| | | | | | | | | | | | |
| | | | | | | | | | | | |



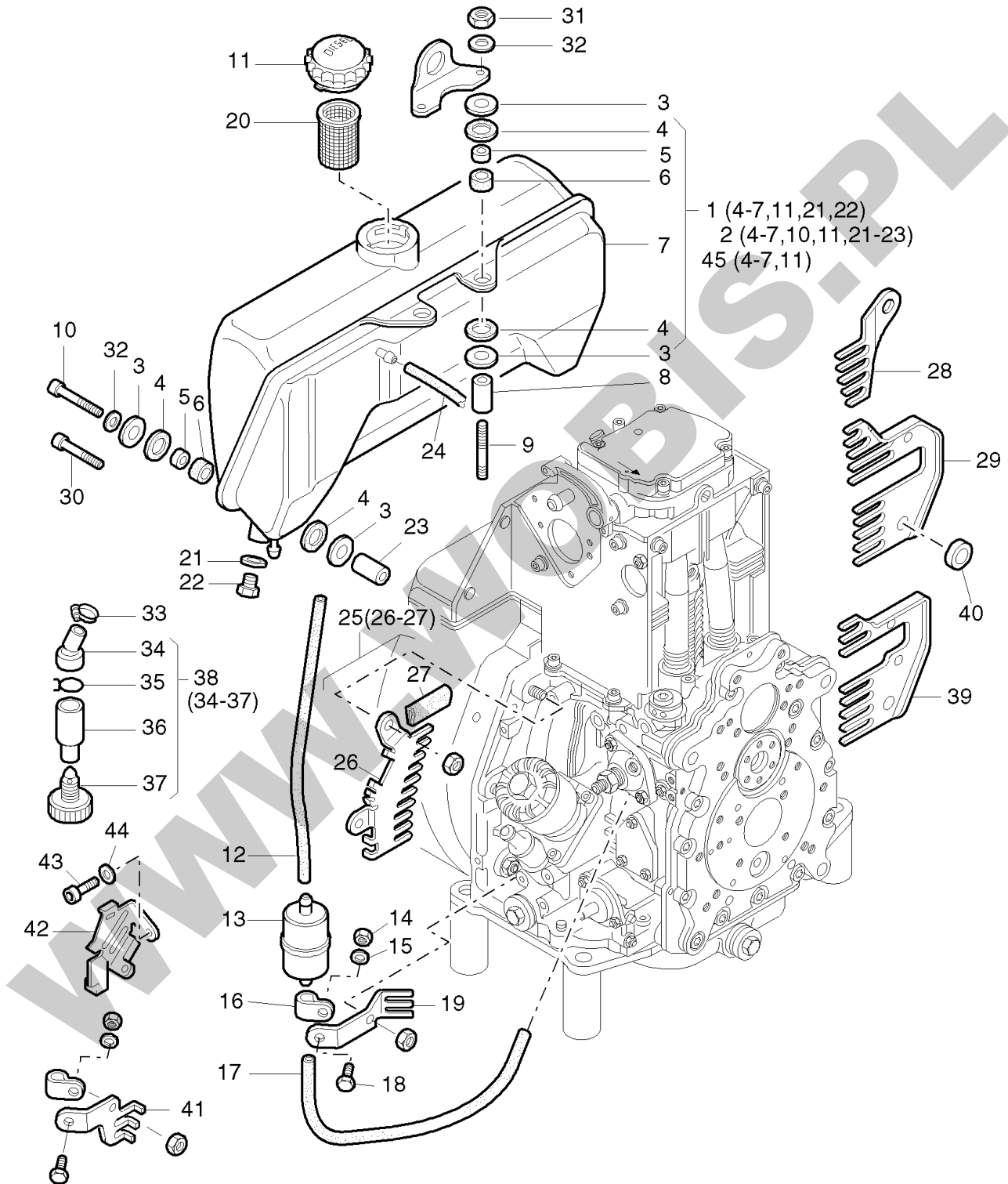
**ORYGINALNE CZĘŚCI ZAMIENNE SERWIS GWARANCYJNY I POGWARANCYJNY WYMIARY
SERWISOWE ORAZ KATALOGI CZĘŚCI ZAMIENNYCH NA STRONIE WWW.WOBIS.PL/SERWIS**

| Pos. | Part no. | Description | Qty. | Notice | Add. notice | kg | EA | TA | DA | dDPW | List price |
|------|----------|---------------------|------|-------------------------------|-------------|-------|----|----|----|------|------------|
| 1 | 01260911 | COOLING AIR DUCT | 1 | part was replaced by 01260920 | | 0,270 | 9 | 11 | 0 | | 161,5705 |
| 1 | 01332401 | COOLING AIR DUCT | 1 | | | 0,270 | 9 | 11 | 0 | | 188,643 |
| 2 | _noorder | No single order | - | | | | | | | | |
| 3 | 04030901 | SEALING STRIP 29MM | 2 | 29 mm | | 0,002 | 1 | 11 | 1 | | 4,4135 |
| 4 | 04030801 | SEALING STRIP 41MM | 2 | 41 mm | | 0,003 | 1 | 11 | 1 | | 4,186 |
| 5 | 01344800 | COOLING AIR DUCT | 1 | part was replaced by 01344810 | | 0,000 | 0 | 11 | 7 | | |
| 6 | _noorder | No single order | - | | | | | | | | |
| 7 | 01344700 | COOLING AIR DUCT | 1 | | | 0,261 | 1 | 11 | 1 | | 103,467 |
| 8 | _noorder | No single order | - | | | | | | | | |
| 9 | 04146500 | SEALING STRIP 304MM | 1 | 304 mm | | 0,028 | 1 | 11 | 1 | | 16,0615 |
| 10 | 50144500 | FLAT WASHER 6,4 | 14 | 6,4 DIN 125-St A3C | | 0,001 | 4 | 11 | 1 | | 0,455 |
| 11 | 50144400 | HEXAGON NUT M 6 | 4 | M 6 DIN 934 - 8 A3C | | 0,002 | 4 | 11 | 1 | | 1,2285 |
| 12 | 50149100 | ALLEN SCREW M 6X 12 | 6 | M 6 x 12 DIN 912-8.8 A3C | | 0,005 | 4 | 11 | 1 | | 1,092 |
| 13 | 50170700 | ALL.SCR.M 6 X 16 | 5 | M 6 x 16 DIN 912-8.8 A3C | | 0,006 | 4 | 11 | 1 | | 1,729 |
| 14 | 04136500 | PARTING SHEET | 1 | part was replaced by 04136501 | | 0,000 | 0 | 11 | 7 | | |
| 15 | 50093700 | FLAT WASHER A 13 | 2 | 13 DIN 125-St A3C | | 0,006 | 4 | 11 | 1 | | 1,729 |
| 16 | 50093600 | HEXAGON NUT M 12 | 2 | M12 DIN 934-8 A3C | | 0,017 | 4 | 11 | 1 | | 2,6845 |
| 17 | 50475000 | STUD M12FO X40 | 2 | M 12 x 40 DIN 835-8.8 A3C | | 0,046 | 4 | 11 | 1 | | 8,463 |
| 18 | _nopart | Not in this engine | - | | | | | | | | |
| 19 | 01689000 | INTERMED.HOUSG.1D50 | 1 | SAE 5 1D50 | | 3,335 | 1 | 12 | 1 | | 984,6655 |
| 20 | _nopart | Not in this engine | - | | | | | | | | |
| 21 | 50334800 | RUBBER SLEEVE | 1 | | | 0,001 | 4 | 11 | 1 | | 3,2305 |
| 22 | 50170700 | ALL.SCR.M 6 X 16 | 4 | M 6 x 16 DIN 912-8.8 A3C | | 0,006 | 4 | 11 | 1 | | 1,729 |
| 23 | 50226000 | GRUB SCREW M 8X6 | 4 | M 8 x 6 DIN 913-45H TU.FLEC | | 0,002 | 4 | 11 | 1 | | 3,9585 |
| 24 | _nopart | Not in this engine | - | | | | | | | | |
| 25 | 40002500 | RIVET 2,4X6 | 4 | 2,4 | | 0,001 | 4 | 11 | 1 | | 1,4105 |
| 26 | 50144500 | FLAT WASHER 6,4 | 4 | 6,4 DIN 125-St A3C | | 0,001 | 4 | 11 | 1 | | 0,455 |
| 27 | 03936400 | BUSH 6,2X8X5,5 | 1 | 6,2 x 8 x 5,5 | | 0,001 | 1 | 11 | 1 | | 4,823 |
| 28 | _nopart | Not in this engine | - | | | | | | | | |
| 29 | _nopart | Not in this engine | - | | | | | | | | |



**ORYGINALNE CZĘŚCI ZAMIENNE SERWIS GWARANCYJNY I POGWARANCYJNY WYMIARY
SERWISOWE ORAZ KATALOGI CZĘŚCI ZAMIENNYCH NA STRONIE WWW.WOBIS.PL/SERWIS**

| Pos. | Part no. | Description | Qty. | Notice | Add. notice | kg | EA | TA | DA | dDPW | List price |
|------|----------|---------------------|------|-------------------------------|-------------|-------|----|----|----|------|------------|
| 1 | _noorder | No single order | - | | | | | | | | |
| 2 | _noorder | No single order | - | | | | | | | | |
| 3 | 04000100 | SHIM | 1 | | | 0,001 | 1 | 11 | 1 | | 3,003 |
| 4 | 50266100 | CIRCLIP 6 | 2 | 6 DIN 6799 | | 0,001 | 4 | 11 | 1 | | 0,455 |
| 5 | 04037500 | LEVER | 1 | | | 0,025 | 1 | 11 | 1 | | 16,107 |
| 6 | 50328701 | ALL.SCR. M5X8 | 4 | M 5 x 8 DIN 912-8.8 Tuf. | | 0,003 | 4 | 11 | 1 | | 1,638 |
| 7 | 04000200 | TENSION SPRING | 1 | | | 0,001 | 1 | 11 | 1 | | 9,828 |
| 8 | 01242810 | GUIDE | 1 | part was replaced by 01242811 | | 0,063 | 0 | 11 | 0 | | |
| 9 | 03799010 | THIGH SPRING | 1 | | | 0,012 | 1 | 11 | 1 | | 10,01 |
| 10 | 04052710 | SPACER RING | 1 | | | 0,155 | 1 | 11 | 1 | | 39,858 |
| 11 | 50412900 | O-RING 18 X 2 | 2 | 18 x 2 | | 0,001 | 4 | 11 | 1 | D2 | 1,8655 |
| 12 | 50129900 | O-RING 32X37X2,5 | 1 | 32 x 2,5 | | 0,001 | 4 | 11 | 1 | D1 | 5,4145 |
| 13 | 01279221 | STOP RNG.SPD.CONT.S | 1 | | | 0,215 | 1 | 11 | 1 | | 134,9075 |
| 14 | 03799210 | FRICITION PLATE | 1 | | | 0,017 | 1 | 11 | 1 | | 15,288 |
| 15 | 50328300 | HEXAGON NUT VM6 | 3 | VM 6 DIN 980-8 A3C | | 0,002 | 4 | 11 | 1 | | 1,4105 |
| 16 | 50507800 | GRUB SCREW M6X45 | 2 | M 6 x 45 | | 0,007 | 4 | 11 | 1 | | 7,189 |
| 17 | 50144400 | HEXAGON NUT M 6 | 2 | M 6 DIN 934 - 8 A3C | | 0,002 | 4 | 11 | 1 | | 1,2285 |
| 20 | 03888300 | HANDLEVER | 1 | | | 0,100 | 1 | 11 | 1 | | 28,7105 |
| 21 | 03927300 | SCREW M 6X 32 | 1 | M 6 x 32 | | 0,012 | 1 | 11 | 1 | | |
| 22 | 50144500 | FLAT WASHER 6,4 | 1 | 6,4 DIN 125-St A3C | | 0,001 | 4 | 11 | 1 | | 0,455 |
| 23 | 50346500 | HEXAGON NUT M6 | 1 | M 6 DIN 934 - 10 A2F 8 10.9 | | 0,002 | 4 | 11 | 1 | | 1,2285 |
| 24 | 01246803 | GOVERNOR LEVER | 1 | | | 0,110 | 1 | 11 | 1 | | 216,3525 |
| 26 | 50403500 | GRUB SCREW M8X20 | 1 | M 8 x 20 DIN 914-45H | | 0,006 | 4 | 11 | 1 | | 4,8685 |
| 37 | 01308101 | BREATHER VALVE | 1 | | | 0,078 | 1 | 11 | 1 | | 93,821 |
| 38 | 04080300 | BREATHER CUP | 1 | | | 0,004 | 1 | 11 | 1 | | 7,007 |
| 39 | 03568700 | DIAPHRAGM | 1 | | | 0,004 | 1 | 11 | 5 | | |
| 40 | _noorder | No single order | - | | | | | | | | |
| 41 | 04083800 | BREATHER HOSE | 1 | FORM 1894 | | 0,040 | 1 | 11 | 1 | | 24,843 |
| 42 | 04074800 | BREATHER HOSE | 1 | FORM 1695 | | 0,012 | 1 | 11 | 1 | | 13,5135 |
| 43 | 04080500 | BUSH | 2 | 7 x 8 x 8 | | 0,001 | 1 | 11 | 1 | | 6,734 |

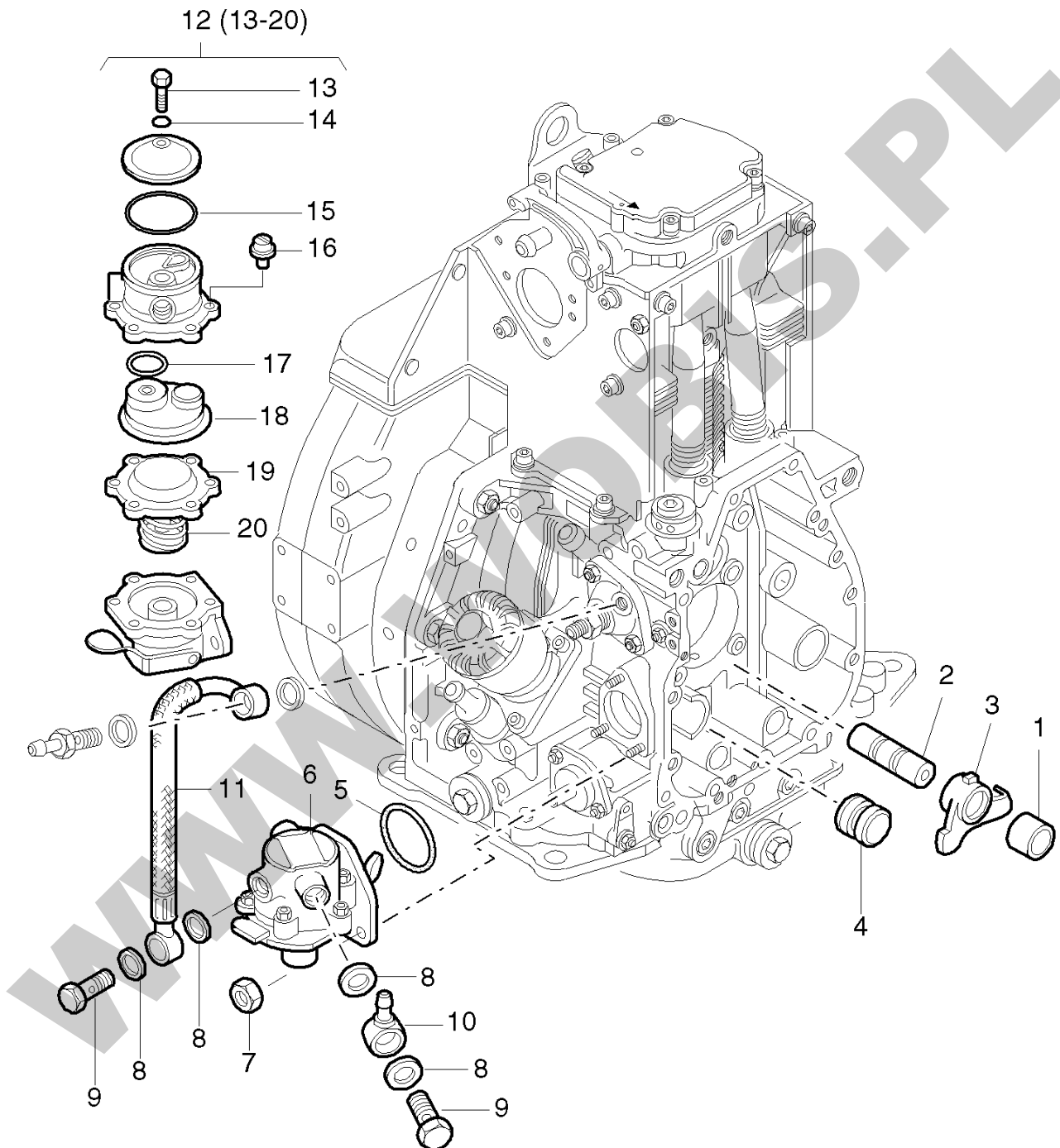


**ORYGINALNE CZĘŚCI ZAMIENNE SERWIS GWARANCYJNY I POGWARANCYJNY WYMIARY
SERWISOWE ORAZ KATALOGI CZĘŚCI ZAMIENNYCH NA STRONIE WWW.WOBIS.PL/SERWIS**

| Pos. | Part no. | Description | Qty. | Notice | Add. notice | kg | EA | TA | DA | dDPW | List price |
|------|----------|---------------------|--------|---------------------------|-------------|-------|----|----|----|------|------------|
| 1 | 01535000 | FUEL TANK 5 LTRS | 1 | 5 l | | 2,908 | 1 | 22 | 1 | | 660,7965 |
| 2 | 01661400 | FUEL TANK 7 LTRS. | 1 | 7 l | | 2,000 | 1 | 22 | 1 | | 786,968 |
| 3 | 05097600 | WASHER | 8 | 8,5 - 27 | | 0,007 | 1 | 11 | 1 | | 2,912 |
| 4 | 03981802 | RUBBER WASHER | 8 | 17 - 25 | | 0,001 | 1 | 21 | 1 | | 8,6905 |
| 5 | 03981701 | BUSH 8,4X13X7,5 | 4 | 8,4 x 13 x 7,5 | | 0,005 | 1 | 21 | 1 | | 5,096 |
| 6 | 03981900 | RUBBER SHELL | 4 | | | 0,001 | 1 | 21 | 1 | | 1,911 |
| 7 | _noorder | No single order | - | | | | | | | | |
| 8 | 03981500 | BUSH 9X18X49 | 0... 2 | 9 x 18 x 49 | | 0,073 | 1 | 21 | 1 | | 20,657 |
| 8 | 05163500 | BUSH 8,5X18X61 | 0... 2 | 8,5 x 18 x 61 (7 l SAE 5) | | 0,092 | 1 | 21 | 2 | | 28,756 |
| 9 | 50377001 | STUD M 8X 75 | 0... 2 | M 8 x 75 DIN 835-10.9 A3C | | 0,033 | 4 | 21 | 1 | | 8,9635 |
| 9 | 50065100 | STUD M 8X85 | 0... 2 | M 8 x 85 DIN 835-8.8 A3C | | 0,035 | 4 | 11 | 1 | | 5,915 |
| 10 | 50171600 | ALL.SCR.M 8X 65 | 2 | M 8 x 65 DIN 912-8.8 A3C | | 0,030 | 4 | 21 | 1 | | 5,551 |
| 11 | 40032701 | CAP F.FUEL TANK B40 | 0... 1 | B 40 | | 0,071 | 4 | 21 | 1 | P1 | 26,026 |
| 11 | 50385801 | CAP FUEL TANK B60 | 0... 1 | DT 60 f.Tank 7l + 10l | | 0,101 | 4 | 21 | 1 | P1 | 42,3605 |
| 12 | 03493300 | FUEL HOSE 7 X 145 | 1 | 7 x 145 | | 0,010 | 1 | 21 | 2 | | |
| 13 | 50478800 | FUEL FILTER 7MY | 1 | Filter | | 0,054 | 4 | 21 | 1 | W2 | 29,8025 |
| 14 | 50144400 | HEXAGON NUT M 6 | 1 | M 6 DIN 934 - 8 A3C | | 0,002 | 4 | 11 | 1 | | 1,2285 |
| 15 | 50144500 | FLAT WASHER 6,4 | 1 | 6,4 DIN 125-St A3C | | 0,001 | 4 | 11 | 1 | | 0,455 |
| 16 | 03165500 | PIPE CLIP | 1 | | | 0,005 | 1 | 11 | 1 | | 5,46 |
| 17 | 03493600 | FUEL HOSE 7 X 330 | 0... 1 | 7 x 330 mm | | 0,030 | 1 | 21 | 2 | | |
| 17 | 03674300 | FUEL HOSE 7 X 305 | 0... 1 | 7 x 305 mm | | 0,025 | 1 | 21 | 1 | | |
| 18 | 50165500 | HEXSCREW M 6X 12 | 1 | M 6 x 12 DIN 933-8.8 A3C | | 0,004 | 4 | 11 | 1 | | 1,5015 |
| 19 | _nopart | Not in this engine | - | | | | | | | | |
| 20 | 50387300 | SIEVE | 0... 1 | f. Tank 7l + 10l | | 0,010 | 4 | 21 | 1 | | 42,4515 |
| 20 | 40037800 | SIEVE | 0... 1 | f. Tank 5l B 40 | | 0,015 | 4 | 21 | 1 | | 40,2675 |
| 21 | 50001000 | JOINT A10 X16 | 1 | A 10 x 16 DIN 7603-Cu | | 0,008 | 4 | 11 | 1 | | 0,5915 |
| 22 | 05126000 | DRAIN PLUG | 1 | M 10 x 12 | | 0,018 | 1 | 21 | 1 | | 27,664 |
| 23 | 03981600 | BUSH 9X18X38 | 2 | 9 x 18 x 38 | | 0,057 | 1 | 21 | 1 | | 12,8765 |
| 24 | 03663800 | FUEL HOSE 5,0 X 40 | 1 | 5 x 40 mm | | 0,002 | 1 | 11 | 1 | | 2,2295 |
| 25 | _nopart | Not in this engine | - | | | | | | | | |

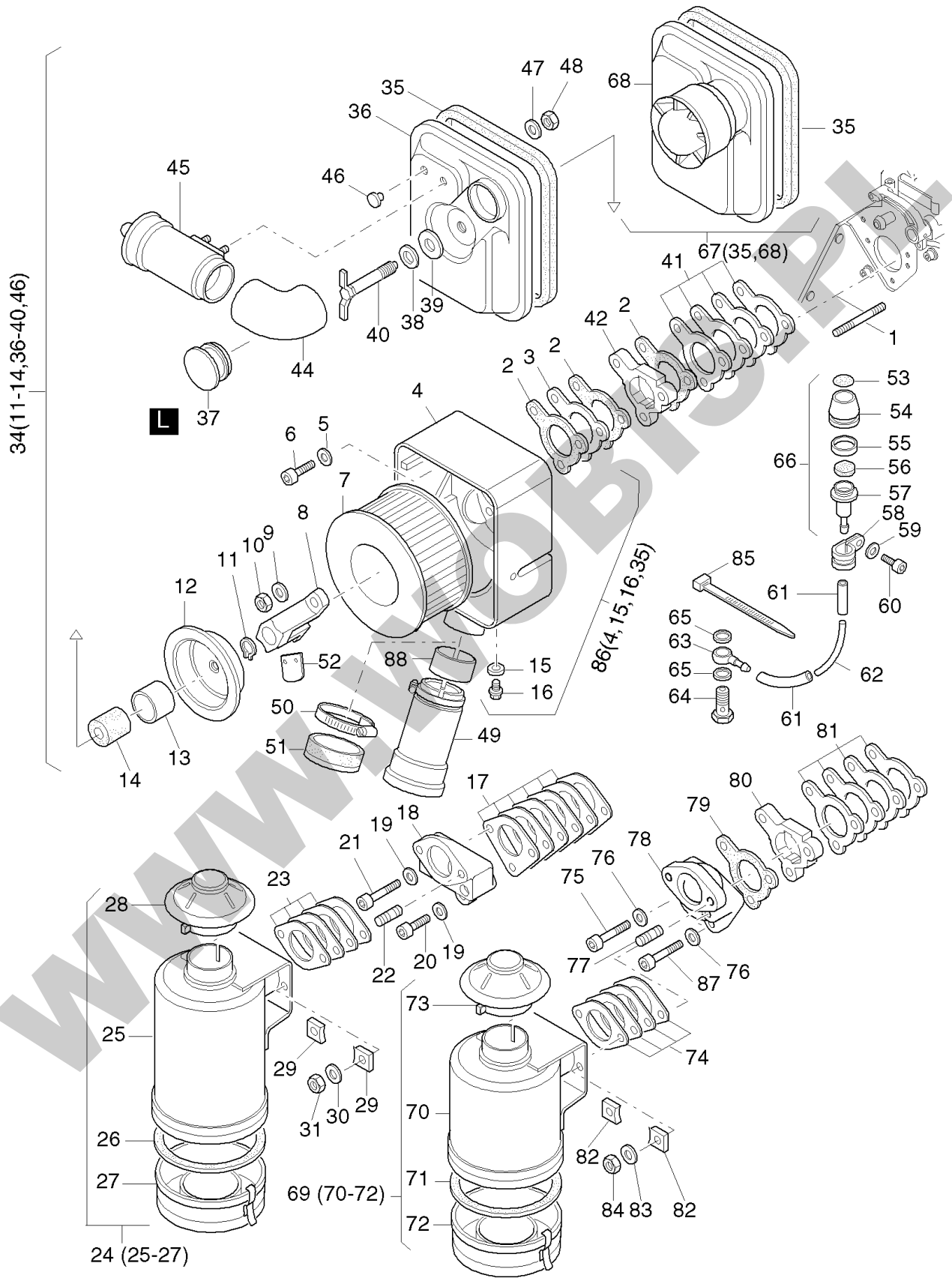
**ORYGINALNE CZĘŚCI ZAMIENNE SERWIS GWARANCYJNY I POGWARANCYJNY WYMIARY
SERWISOWE ORAZ KATALOGI CZĘŚCI ZAMIENNYCH NA STRONIE WWW.WOBIS.PL/SERWIS**

| Pos. | Part no. | Description | Qty. | Notice | Add. notice | kg | EA | TA | DA | dDPW | List price |
|------|----------|---------------------|------|-------------------------------|-------------|-------|----|----|----|------|------------|
| 26 | _nopart | Not in this engine | - | | | | | | | | |
| 27 | _nopart | Not in this engine | - | | | | | | | | |
| 28 | _nopart | Not in this engine | - | | | | | | | | |
| 29 | _nopart | Not in this engine | - | | | | | | | | |
| 30 | _nopart | Not in this engine | - | | | | | | | | |
| 31 | 50148000 | HEXAGON NUT M 8 | 2 | M 8 DIN 934-8 A3C | | 0,005 | 4 | 11 | 1 | | 1,4105 |
| 32 | 50208500 | SPRING WASHER 8 | 4 | 8 DIN 128 A3C | | 0,001 | 4 | 11 | 1 | | 1,4105 |
| 33 | 50448000 | CLAMP | 1 | | | 0,008 | 4 | 21 | 2 | | 9,0545 |
| 34 | 05044001 | HOSE 20/12 MM | 1 | | | 0,003 | 1 | 21 | 2 | | 17,017 |
| 35 | 05036900 | HOSE CLIP | 1 | | | 0,003 | 4 | 11 | 1 | | 7,462 |
| 36 | 05043900 | WATER SEPARATOR | 1 | part was replaced by 05043901 | | 0,012 | 0 | 21 | 0 | | |
| 37 | 50414800 | CLOS. SCREW M 10 | 1 | M 10 | | 0,007 | 4 | 21 | 2 | | 11,83 |
| 38 | 01519401 | WATER SEPARATOR | 1 | part was replaced by 01519402 | | 0,033 | 0 | 21 | 0 | | |
| 39 | 01529000 | PROT.GUARD D30...41 | 1 | | | 0,070 | 1 | 21 | 1 | | 28,5285 |
| 40 | 04065100 | DISC 9,1X20X2,1 | 1 | 9,1 x 20 x 2,1 | | 0,003 | 1 | 11 | 1 | | 7,553 |
| 41 | 05036600 | GUARD BELOW | 1 | | | 0,045 | 1 | 11 | 1 | | 17,2445 |
| 42 | 05036701 | GUARD | 1 | | | 0,049 | 1 | 11 | 1 | | 20,5205 |
| 43 | 50139000 | ALL.SCR. M 6X 10 | 1 | M 6 x 10 DIN 912-8.8 C4P | | 0,004 | 4 | 11 | 1 | | 1,5015 |
| 44 | 50081200 | SPRING WASHER A 6 | 1 | A 6 DIN 137 - A3C | | 0,001 | 4 | 11 | 1 | | 0,455 |
| 45 | _nopart | Not in this engine | - | | | | | | | | |
| | | | | | | | | | | | |
| | | | | | | | | | | | |
| | | | | | | | | | | | |
| | | | | | | | | | | | |
| | | | | | | | | | | | |
| | | | | | | | | | | | |
| | | | | | | | | | | | |
| | | | | | | | | | | | |
| | | | | | | | | | | | |
| | | | | | | | | | | | |
| | | | | | | | | | | | |
| | | | | | | | | | | | |
| | | | | | | | | | | | |
| | | | | | | | | | | | |
| | | | | | | | | | | | |
| | | | | | | | | | | | |
| | | | | | | | | | | | |
| | | | | | | | | | | | |
| | | | | | | | | | | | |



**ORYGINALNE CZĘŚCI ZAMIENNE SERWIS GWARANCYJNY I POGWARANCYJNY WYMIARY
SERWISOWE ORAZ KATALOGI CZĘŚCI ZAMIENNYCH NA STRONIE WWW.WOBIS.PL/SERWIS**

| Pos. | Part no. | Description | Qty. | Notice | Add. notice | kg | EA | TA | DA | dDPW | List price |
|------|----------|---------------------|------|-------------------------------|-------------|-------|----|----|----|------|------------|
| 1 | 04011900 | BUSH | 1 | 15x24x17 | ""S"" | 0,050 | 1 | 11 | 1 | | 12,9675 |
| 2 | 03796401 | SHAFT | 1 | | ""S"" | 0,072 | 1 | 11 | 1 | | 53,9175 |
| 3 | 04011810 | LEVER F.FEED PUMP | 1 | | | 0,090 | 1 | 21 | 4 | | 170,4885 |
| 4 | 04023600 | PLUG | 1 | ø 25 mm | ""S"" | 0,020 | 1 | 11 | 1 | | 14,8785 |
| 5 | 50331800 | O-RING 35 X 2,8 | 1 | 35 x 2,8 | | 0,001 | 4 | 21 | 1 | | 6,0515 |
| 6 | 50332302 | FUEL FEED PUMP | 1 | part was replaced by 05301500 | | 0,284 | 0 | 21 | 1 | | |
| 7 | 50328300 | HEXAGON NUT VM6 | 3 | VM 6 DIN 980-8 A3C | | 0,002 | 4 | 11 | 1 | | 1,4105 |
| 8 | 50001200 | JOINT A14 X18 | 4 | A 14 x 18 DIN 7603-Cu | | 0,001 | 4 | 11 | 1 | | 1,001 |
| 9 | 50006400 | BANJO BOLT 10-3 | 2 | 10-3 DIN 7643 | | 0,029 | 4 | 11 | 1 | | 8,6905 |
| 10 | 50015900 | RING PIECE NW8 | 1 | NW 8 / 6 | | 0,025 | 4 | 11 | 1 | | 18,0635 |
| 11 | 01468801 | FUEL PIPE | 1 | | | 0,070 | 1 | 21 | 5 | | 90,4085 |
| 12 | 49062501 | VALV.PLAT.W. O-RING | 1 | Reparatursatz, repair kit | | 0,075 | 4 | 23 | 0 | | 95,6865 |
| 13 | _noorder | No single order | - | | | | | | | | |
| 14 | _noorder | No single order | - | | | | | | | | |
| 15 | 50399500 | O-RING 37 X 2,5 | 1 | 37 x 2,5 | | 0,001 | 9 | 21 | 0 | | 7,189 |
| 16 | _noorder | No single order | - | | | | | | | | |
| 17 | _noorder | No single order | - | | | | | | | | |
| 18 | _noorder | No single order | - | | | | | | | | |
| 19 | _noorder | No single order | - | | | | | | | | |
| 20 | _noorder | No single order | - | | | | | | | | |
| | | | | | | | | | | | |
| | | | | | | | | | | | |
| | | | | | | | | | | | |
| | | | | | | | | | | | |
| | | | | | | | | | | | |
| | | | | | | | | | | | |
| | | | | | | | | | | | |
| | | | | | | | | | | | |
| | | | | | | | | | | | |
| | | | | | | | | | | | |
| | | | | | | | | | | | |
| | | | | | | | | | | | |
| | | | | | | | | | | | |
| | | | | | | | | | | | |
| | | | | | | | | | | | |
| | | | | | | | | | | | |



**ORYGINALNE CZĘŚCI ZAMIENNE SERWIS GWARANCYJNY I POGWARANCYJNY WYMIARY
SERWISOWE ORAZ KATALOGI CZĘŚCI ZAMIENNYCH NA STRONIE WWW.WOBIS.PL/SERWIS**

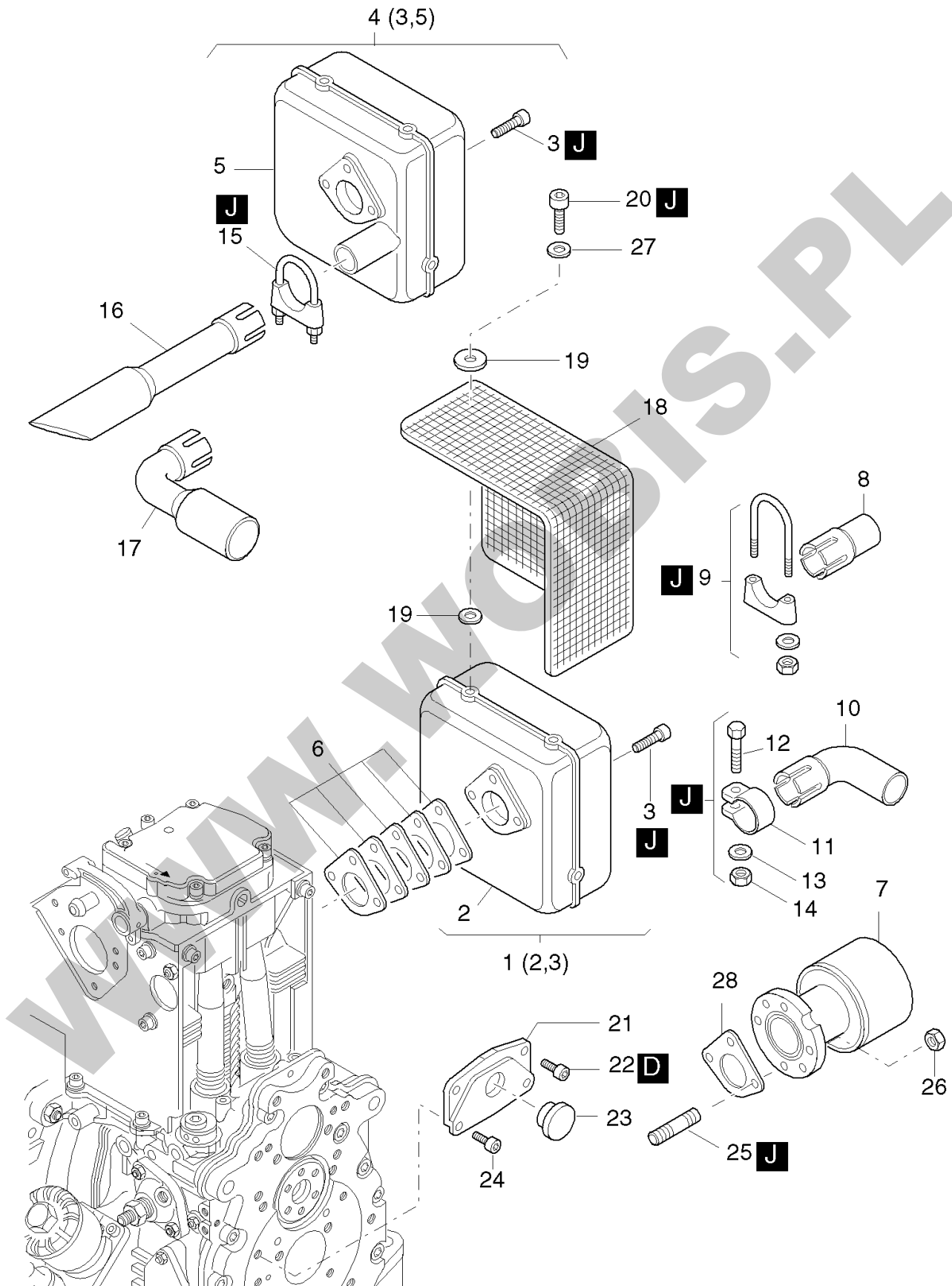
| Pos. | Part no. | Description | Qty. | Notice | Add. notice | kg | EA | TA | DA | dDPW | List price |
|------|----------|--------------------|------|------------------------|-------------|-------|----|----|----|------|------------|
| 1 | 50038900 | STUD M 8X 60 | 2 | M 8 x 60 DIN 855-8.8 | | 0,025 | 4 | 21 | 1 | | 5,7785 |
| 2 | 04029800 | GASKET | 3 | | | 0,001 | 1 | 21 | 1 | | 3,003 |
| 3 | 04029701 | INSULATING FLANGE | 1 | | | 0,011 | 1 | 21 | 1 | | 13,013 |
| 4 | _noorder | No single order | - | | | | | | | | |
| 5 | 50095100 | SPRING WASHER A 8 | 1 | A 8 DIN 137 A3C | | 0,001 | 4 | 11 | 1 | | 0,455 |
| 6 | 50080800 | ALL.SCREW M 8X42 | 1 | M 8 x 42 DIN 912-8.8 | | 0,022 | 4 | 11 | 1 | | 4,095 |
| 7 | 04030100 | AIRFILTER ELEMENT | 1 | | | 0,200 | 4 | 21 | 1 | W2 | 54,509 |
| 8 | 01490901 | RETAINING BRACKET | 1 | | | 0,071 | 1 | 21 | 1 | | 42,133 |
| 9 | 50148100 | FLAT WASHER 8,4 | 2 | 8,4 DIN 125-St A3C | | 0,002 | 4 | 11 | 1 | | 0,455 |
| 10 | 50129500 | HEXAGON NUT M 8 | 2 | M 8 DIN 985-8 A3C | | 0,002 | 4 | 11 | 1 | | 2,6845 |
| 11 | 50412000 | CIRCLIP 10 X 1 | 1 | A 10 x 1 DIN 471 | | 0,001 | 4 | 11 | 1 | | 0,455 |
| 12 | 05039200 | CENTRING COVER | 1 | | | 0,304 | 1 | 21 | 1 | | 54,8275 |
| 13 | 05039300 | BUSH 33X35X23,5 | 1 | 33 x 35 x 23,5 | | 0,019 | 1 | 21 | 1 | | 9,737 |
| 14 | 03579400 | SEALING RING | 1 | | | 0,012 | 1 | 11 | 1 | | 18,746 |
| 15 | 50000900 | JOINT A8X11,5 | 1 | A 8 x 11,5 DIN 7603-Cu | | 0,001 | 4 | 11 | 1 | | 0,455 |
| 16 | 50137900 | CLOS.SCREW M8X1 | 1 | M 8 x 1 DIN 7604 | | 0,006 | 4 | 11 | 1 | | 5,551 |
| 17 | _nopart | Not in this engine | - | | | | | | | | |
| 18 | _nopart | Not in this engine | - | | | | | | | | |
| 19 | _nopart | Not in this engine | - | | | | | | | | |
| 20 | _nopart | Not in this engine | - | | | | | | | | |
| 21 | _nopart | Not in this engine | - | | | | | | | | |
| 22 | _nopart | Not in this engine | - | | | | | | | | |
| 23 | _nopart | Not in this engine | - | | | | | | | | |
| 24 | _nopart | Not in this engine | - | | | | | | | | |
| 25 | _noorder | No single order | - | | | | | | | | |
| 26 | _nopart | Not in this engine | - | | | | | | | | |
| 27 | _nopart | Not in this engine | - | | | | | | | | |
| 28 | _nopart | Not in this engine | - | | | | | | | | |
| 29 | _nopart | Not in this engine | - | | | | | | | | |
| 30 | _nopart | Not in this engine | - | | | | | | | | |

**ORYGINALNE CZĘŚCI ZAMIENNE SERWIS GWARANCYJNY I POGWARANCYJNY WYMIARY
SERWISOWE ORAZ KATALOGI CZĘŚCI ZAMIENNYCH NA STRONIE WWW.WOBIS.PL/SERWIS**

| Pos. | Part no. | Description | Qty. | Notice | Add. notice | kg | EA | TA | DA | dDPW | List price |
|------|----------|---------------------|------|--------------------------------|-----------------------|-------|----|----|----|------|------------|
| 31 | _nopart | Not in this engine | - | | | | | | | | |
| 34 | 01449710 | COVER F. AIRFILTER | 1 | | | 0,772 | 1 | 21 | 1 | | 250,159 |
| 35 | 04061501 | SEALING STR. 626 MM | 1 | 630 mm | | 0,110 | 1 | 21 | 1 | | 34,8075 |
| 36 | _noorder | No single order | - | | | | | | | | |
| 37 | 05039402 | CLOSING COVER | 1 | | | 0,012 | 1 | 21 | 1 | | 8,099 |
| 38 | 03814100 | INSULATING DISC | 1 | | | 0,002 | 1 | 21 | 1 | | 4,368 |
| 39 | 05038700 | WASHER 11 X 36 X 3 | 1 | 11 x 36 x 3 | | 0,022 | 1 | 21 | 1 | | 5,369 |
| 40 | 01490800 | WING SCREW | 1 | | | 0,074 | 1 | 21 | 1 | | 52,871 |
| 41 | 01449100 | GASKET AIRFILTER | 1 | | | 0,030 | 1 | 21 | 1 | | 13,4225 |
| 42 | 04053101 | INTERMEDIATE FLANGE | 1 | | | 0,069 | 1 | 21 | 1 | | 38,311 |
| 44 | 05038910 | ELBOW F. CYCLON | 1 | | | 0,087 | 1 | 21 | 2 | | 30,8035 |
| 45 | 01491010 | CYCLONE | 1 | | | 0,258 | 4 | 21 | 2 | | 157,5665 |
| 46 | 50411900 | CLOSING PLUG 7 | 2 | F 2 PHT SCHW. | | 0,001 | 4 | 21 | 1 | | 4,5955 |
| 47 | 50120000 | DISC A 6,4 | 2 | A 6,4 DIN 9021-St A3C | | 0,003 | 4 | 11 | 1 | | 0,455 |
| 48 | 40028300 | HEX.NUT M 6 | 2 | VM 6 DIN 980 C3P | | 0,003 | 4 | 11 | 1 | | 2,1385 |
| 49 | 01471200 | CYCLONE | 1 | | | 0,279 | 1 | 21 | 4 | | 250,4775 |
| 50 | 50406600 | HOSE CLIP 40/60 | 1 | 40 / 60 | | 0,036 | 4 | 21 | 1 | | 9,737 |
| 51 | 01481400 | CAP AIR INTAKE | 1 | | | 0,044 | 1 | 21 | 1 | | 42,224 |
| 52 | 05033500 | VALVE PLATE | 1 | | ""S - Z"" (f.Pos. 66) | 0,001 | 1 | 21 | 1 | | 2,3205 |
| 53 | 05044501 | INDIC. PLATE | 1 | | | 0,001 | 1 | 21 | 1 | | 10,3285 |
| 54 | 05043601 | RUBBER CAP | 1 | | | 0,002 | 1 | 21 | 1 | | 28,847 |
| 55 | 05045600 | SIGNAL RING | 1 | (grün, green, vert, verde) | | 0,001 | 1 | 21 | 1 | | 2,002 |
| 56 | 05137200 | FILTER | 1 | Filter, Filtre, Filtro ø 20 mm | | 0,001 | 1 | 21 | 1 | | 1,001 |
| 57 | 05043700 | ADAPTER | 1 | | | 0,014 | 1 | 21 | 1 | | 40,8135 |
| 58 | 50173500 | PIPE CLIP | 1 | 10 / 15 | | 0,010 | 4 | 11 | 1 | | 6,8705 |
| 59 | 50170900 | SPRING WASHER 6 | 1 | 6 DIN 128 - A3C | | 0,001 | 4 | 11 | 1 | | 0,455 |
| 60 | 50170600 | ALL.SCR.M 6X 20 | 1 | M 6 x 20 DIN 912-8.8 A3C | | 0,007 | 4 | 11 | 1 | | 1,729 |
| 61 | 03961410 | FUEL HOSE 3,5 X 50 | 2 | 3,5 x 50 | | 0,005 | 1 | 21 | 2 | | 2,457 |
| 62 | 05044610 | HOSE 2X4 X 135 | 1 | 2 x 4 x 135 | | 0,004 | 1 | 21 | 1 | | 9,3275 |
| 63 | 50015700 | RING PIECE NW3 | 1 | NW 3 | | 0,007 | 4 | 11 | 1 | | 9,5095 |

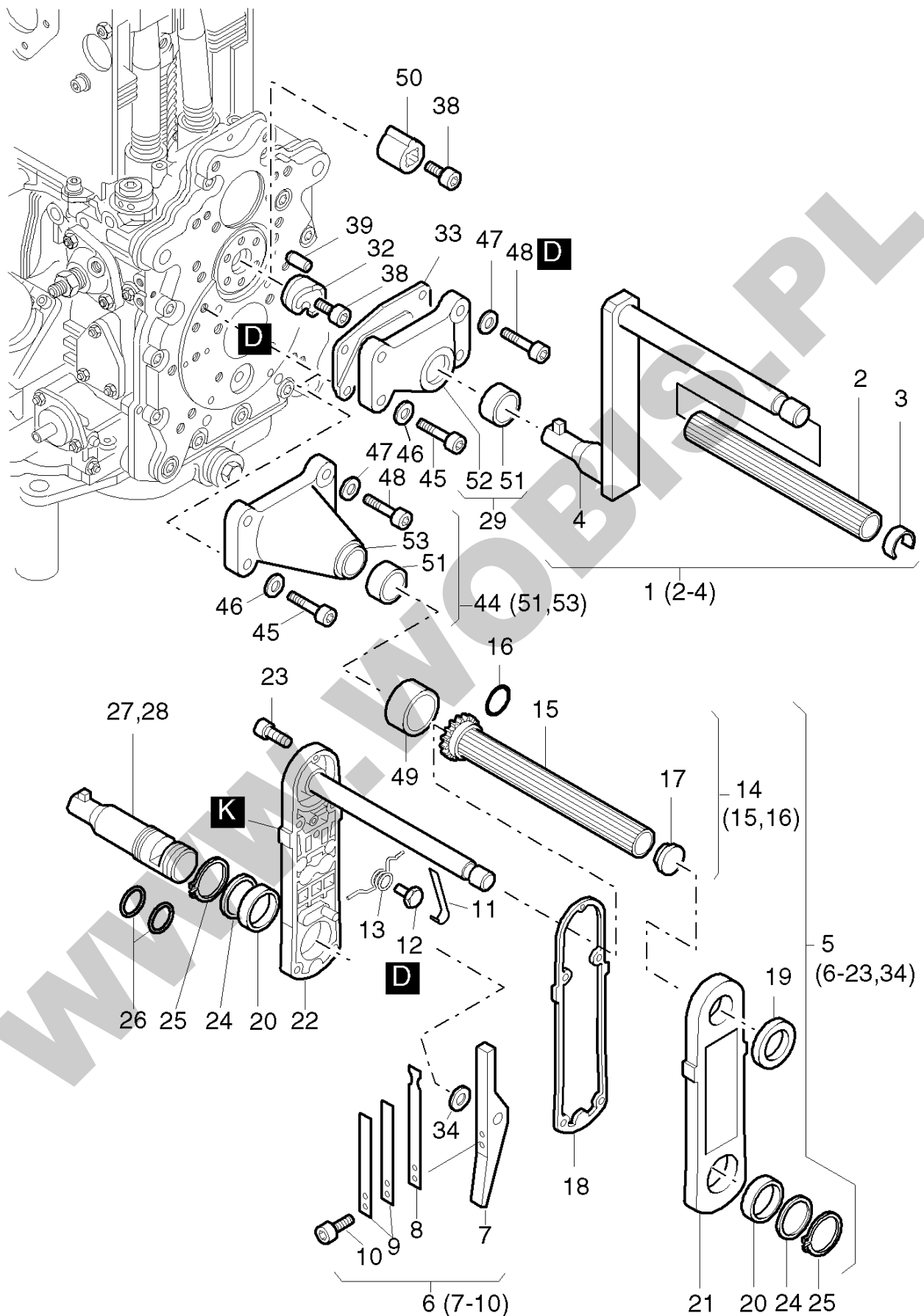
**ORYGINALNE CZĘŚCI ZAMIENNE SERWIS GWARANCYJNY I POGWARANCYJNY WYMIARY
SERWISOWE ORAZ KATALOGI CZĘŚCI ZAMIENNYCH NA STRONIE WWW.WOBIS.PL/SERWIS**

| Pos. | Part no. | Description | Qty. | Notice | Add. notice | kg | EA | TA | DA | dDPW | List price |
|------|----------|---------------------|------|----------------------------|-------------|-------|----|----|----|------|------------|
| 64 | 50006100 | BANJO BOLT 4-5-3 | 1 | 4-5-3 DIN 7643 | | 0,007 | 4 | 11 | 1 | | 6,3245 |
| 65 | 50000900 | JOINT A8X11,5 | 2 | A 8 x 11,5 DIN 7603-Cu | | 0,001 | 4 | 11 | 1 | | 0,455 |
| 66 | 01499801 | MAINT.INDICATOR | 1 | | | 0,026 | 1 | 21 | 1 | | 82,446 |
| 67 | 01539300 | COVER F. AIRFILTER | 1 | | | 0,470 | 4 | 22 | 2 | | 229,411 |
| 68 | _nopart | Not in this engine | - | | | | | | | | |
| 69 | 01647100 | OILBATH AIRFILTER | 1 | | | 1,825 | 4 | 21 | 2 | | 449,995 |
| 70 | _noorder | No single order | - | | | | | | | | |
| 71 | 49038000 | PACKING RING | 1 | | | 0,012 | 4 | 23 | 1 | | 12,376 |
| 72 | 49037900 | OIL CONTAINER | 1 | | | 0,270 | 4 | 23 | 1 | | 94,5035 |
| 73 | 40040400 | RAIN PROTECTION CAP | 1 | | | 0,065 | 4 | 11 | 1 | | 72,2995 |
| 74 | 01651401 | GASKET AIRFILTER | 1 | | | 0,026 | 1 | 21 | 2 | | 14,0595 |
| 75 | 50392900 | ALL.SCR.M 8 X 50 | 2 | M 8 x 50 DIN 912 - 8.8 A3C | | 0,025 | 4 | 11 | 1 | | 3,003 |
| 76 | 50095100 | SPRING WASHER A 8 | 3 | A 8 DIN 137 A3C | | 0,001 | 4 | 11 | 1 | | 0,455 |
| 77 | 50145700 | STUD M 10X 20 | 2 | M 10 x 20 DIN 835-8.8 A3C | | 0,020 | 0 | 21 | 2 | | 3,731 |
| 78 | 05173101 | INTERMEDIATE FLANGE | 1 | | | 0,350 | 1 | 21 | 2 | | 228,046 |
| 79 | 04029800 | GASKET | 1 | | | 0,001 | 1 | 21 | 1 | | 3,003 |
| 80 | 04053101 | INTERMEDIATE FLANGE | 1 | | | 0,069 | 1 | 21 | 1 | | 38,311 |
| 81 | 01449100 | GASKET AIRFILTER | 1 | | | 0,030 | 1 | 21 | 1 | | 13,4225 |
| 82 | 03945400 | PLATE | 2 | | | 0,047 | 1 | 21 | 2 | | 12,5125 |
| 83 | 50135600 | SPRING WASHER 10 | 2 | 10 DIN 128 A3C | | 0,002 | 4 | 21 | 1 | | 0,455 |
| 84 | 50145800 | HEXAGON NUT M 10 | 2 | M 10 DIN 934-8 A3C | | 0,011 | 4 | 11 | 1 | | 2,002 |
| 85 | 50358400 | STRAP | 1 | 200 x 4,8 mm SCHWARZ | | 0,001 | 4 | 11 | 1 | | 0,6825 |
| 86 | 01498301 | AIRFILTER HOUSING | 1 | | | 1,104 | 1 | 21 | 2 | | 242,4695 |
| 87 | 50177200 | ALL.SCR.M 8X 80 | 1 | M 8 x 80 DIN 912-8.8 A3C | | 0,035 | 4 | 21 | 2 | | 5,915 |
| 88 | _nopart | Not in this engine | - | | | | | | | | |
| L | 50256600 | SILICON SEALER | 1 | | | 0,130 | 4 | 12 | 0 | | 193,4205 |
| | | | | | | | | | | | |
| | | | | | | | | | | | |
| | | | | | | | | | | | |



**ORYGINALNE CZĘŚCI ZAMIENNE SERWIS GWARANCYJNY I POGWARANCYJNY WYMIARY
SERWISOWE ORAZ KATALOGI CZĘŚCI ZAMIENNYCH NA STRONIE WWW.WOBIS.PL/SERWIS**

| Pos. | Part no. | Description | Qty. | Notice | Add. notice | kg | EA | TA | DA | dDPW | List price |
|------|----------|---------------------|------|---|-------------|-------|----|----|----|------|------------|
| 1 | 01558600 | EXHAUST SILENCER | 1 | | | 3,645 | 1 | 22 | 1 | | 784,238 |
| 2 | _noorder | No single order | - | | | | | | | | |
| 3 | 50403900 | ALL.SCR.M 8 X 25 | 3 | M 8 x 25 DIN 912-8.8 C4P | | 0,015 | 4 | 21 | 1 | | 2,2295 |
| 4 | 01507700 | EXHAST.SILENC. TOP | 1 | | | 3,651 | 1 | 22 | 1 | | 784,238 |
| 5 | _noorder | No single order | - | | | | | | | | |
| 6 | 01489310 | GASKET EXHST.SIL. S | 1 | | | 0,040 | 1 | 21 | 4 | d1 | 23,1595 |
| 7 | 01500901 | EXHAUST SILENCER | 1 | | | 0,830 | 1 | 21 | 2 | | 256,165 |
| 8 | 03998300 | EXHAUST TUBE | 1 | | | 0,112 | 1 | 21 | 4 | | 82,901 |
| 9 | 00873100 | PIPE CLIP 40/42 | 1 | 40 / 42 | | 0,108 | 4 | 21 | 2 | | 25,662 |
| 10 | 03740800 | EXHAUST ELBOW | 1 | ø 38 | | 0,140 | 1 | 21 | 5 | | |
| 11 | 03740900 | PIPE CLIP 41,5 | 1 | 41,5 mm | | 0,087 | 1 | 21 | 1 | | 16,198 |
| 12 | 50380000 | HEXSCREW M 8 X 50 | 1 | M 8 x 50 DIN 931-8.8 A3C part was replaced by 50028100 | | 0,025 | 4 | 21 | 1 | | 2,6845 |
| 13 | 50148100 | FLAT WASHER 8,4 | 1 | 8,4 DIN 125-St A3C | | 0,002 | 4 | 11 | 1 | | 0,455 |
| 14 | 40028400 | HEX.NUT M 8 | 1 | VM 8 DIN 980-8 C3A | | 0,008 | 4 | 11 | 1 | | 2,2295 |
| 15 | 50388000 | PIPE CLIP 1 1/8-28 | 1 | 1/8-28 883-2 A3C | | 0,103 | 4 | 21 | 2 | | 16,3345 |
| 16 | 03997301 | EXHAUST TUBE | 1 | | | 0,253 | 1 | 21 | 2 | | 129,675 |
| 17 | 03997200 | EXHAUST ELBOW | 1 | | | 0,245 | 1 | 21 | 2 | | 178,633 |
| 18 | 05140700 | GUARD | 1 | | | 0,330 | 1 | 21 | 1 | | 139,1845 |
| 18 | _noorder | No single order | - | | | | | | | | |
| 19 | 05034202 | SPRING WASHER | 8 | 6,5 x 38 | | 0,010 | 1 | 21 | 1 | | 4,823 |
| 20 | 50255700 | ALL.SCR.M 6X 12 | 4 | M 6 x12 DIN 912-8.8 C4A | | 0,005 | 4 | 21 | 1 | | 1,729 |
| 21 | 03985300 | GUARD | 1 | | | 0,056 | 1 | 21 | 2 | | 33,67 |
| 22 | 50135700 | ALL.SCR.M10X 16 | 2 | M 10 x 16 DIN 912-8.8 A3C | | 0,021 | 4 | 21 | 1 | | 3,6855 |
| 23 | 40091400 | CLOSING CAP | 1 | F24 SCHW. | | 0,004 | 4 | 21 | 2 | | 3,6855 |
| 24 | 50165400 | ALL.SCR.M 8X 16 | 2 | M 8 x 16 DIN 912-8.8 A3C | | 0,009 | 4 | 21 | 1 | | 2,6845 |
| 25 | 50037800 | STUD M 8X 22 | 2 | M 8 x 22 DIN 835-10.9 | | 0,012 | 4 | 11 | 1 | | 3,003 |
| 26 | 40028400 | HEX.NUT M 8 | 2 | VM 8 DIN 980-8 C3A | | 0,008 | 4 | 11 | 1 | | 2,2295 |
| 27 | 50120000 | DISC A 6,4 | 4 | A 6,4 DIN 9021-St A3C | | 0,003 | 4 | 11 | 1 | | 0,455 |
| 28 | 03974100 | GASKET | 9 | | | 0,007 | 0 | 21 | 1 | | |

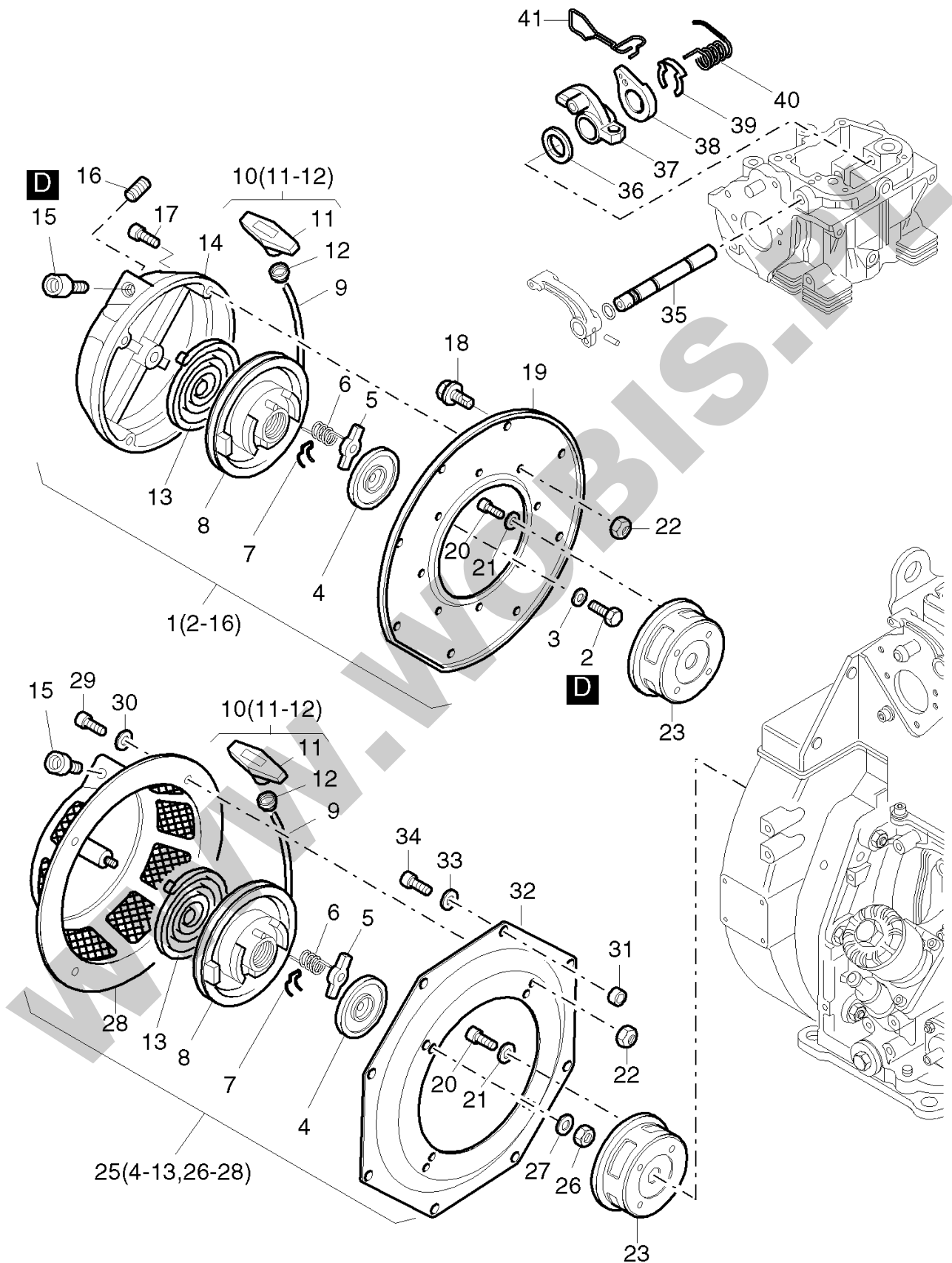


**ORYGINALNE CZĘŚCI ZAMIENNE SERWIS GWARANCYJNY I POGWARANCYJNY WYMIARY
SERWISOWE ORAZ KATALOGI CZĘŚCI ZAMIENNYCH NA STRONIE WWW.WOBIS.PL/SERWIS**

| Pos. | Part no. | Description | Qty. | Notice | Add. notice | kg | EA | TA | DA | dDPW | List price |
|------|----------|---------------------|--------|--------------------------|-------------|-------|----|----|----|------|------------|
| 1 | 01248002 | STARTING HANDLE 80 | 1 | 80 mm | | 1,350 | 1 | 21 | 2 | | 304,1675 |
| 1 | 01469800 | STARTING HANDLE 330 | 1 | 330 mm | | 2,370 | 1 | 21 | 0 | | 493,0835 |
| 1 | 01426702 | STARTING HANDLE 160 | 1 | 160 mm | | 1,500 | 1 | 21 | 4 | | 417,872 |
| 1 | 01433202 | STARTING HANDLE 275 | 1 | 275 mm | | 1,870 | 1 | 21 | 4 | | 473,837 |
| 1 | 01407302 | STARTING HANDLE 200 | 1 | 200 mm | | 1,600 | 1 | 21 | 4 | | 455,5005 |
| 1 | 01426502 | STARTING HANDLE 140 | 1 | 140 mm | | 1,450 | 1 | 21 | 4 | | 414,1865 |
| 2 | 03522400 | HANDLE | 1 | | | 0,050 | 1 | 21 | 2 | | 21,931 |
| 3 | 03515400 | SNAP RING | 1 | | | 0,001 | 1 | 21 | 2 | | 6,1425 |
| 4 | _noorder | No single order | - | | | | | | | | |
| 5 | 01027805 | CR.HANDLE-SAFETY A | 1 | "A" | | 1,440 | 1 | 21 | 1 | | 785,1935 |
| 6 | 01011404 | LEVER | 1 | | | 0,125 | 1 | 21 | 1 | | 160,888 |
| 7 | _noorder | No single order | - | | | | | | | | |
| 8 | 03812102 | PLATE SPRING | 1 | | | 0,007 | 1 | 21 | 1 | | 13,5135 |
| 9 | 03917100 | PLATE SPRING | 2 | | | 0,006 | 1 | 21 | 1 | | 11,648 |
| 10 | 50316500 | ALL.SCREW M 5X 8 | 2 | M 5 x 8 DIN 6912-8.8 A3C | | 0,002 | 4 | 11 | 1 | | 2,912 |
| 11 | 03954900 | PLATE SPRING | 1 | | | 0,005 | 1 | 21 | 1 | | 11,648 |
| 12 | 03955600 | HEXSCREW | 1 | | | 0,003 | 1 | 21 | 1 | | 11,648 |
| 13 | 03955900 | SPRING A | 1 | "A" | | 0,002 | 1 | 21 | 1 | | 11,648 |
| 14 | 01011310 | HANDLE CPL. | 1 | | | 0,100 | 1 | 22 | 0 | | 202,8845 |
| 15 | _noorder | No single order | - | | | | | | | | |
| 16 | 50169100 | O-RING19 X 1,8 | 1 | 19 x 1,8 | | 0,001 | 4 | 21 | 1 | | 1,729 |
| 17 | 50199200 | CLOSING PLUG | 1 | V18 NATUR | | 0,002 | 4 | 21 | 1 | | 2,3205 |
| 18 | 03813000 | GASKET | 1 | | | 0,001 | 1 | 21 | 1 | | 7,007 |
| 19 | 50194200 | OIL SEAL 28X35X4 | 1 | 28 x 35 x 4 | | 0,004 | 4 | 21 | 1 | | 26,117 |
| 20 | 50193400 | BUSH | 2 | | | 0,014 | 4 | 11 | 1 | | 11,2385 |
| 21 | _noorder | No single order | - | | | | | | | | |
| 22 | _noorder | No single order | - | | | | | | | | |
| 23 | 50194400 | ALL.SCR.M 6X 25 | 5 | M 6 x 25 WN 11084-8.8 Zn | | 0,006 | 4 | 21 | 5 | | |
| 24 | 03928600 | SHIM 30X38X0,15 | 0... 2 | 30 x 38 x 0,15 | | 0,001 | 1 | 21 | 2 | | 4,186 |
| 25 | 50194300 | CIRCLIP AK 30 X 1,5 | 2 | A 30 x 1,5 K DIN 983 | | 0,003 | 4 | 21 | 2 | | 4,4135 |

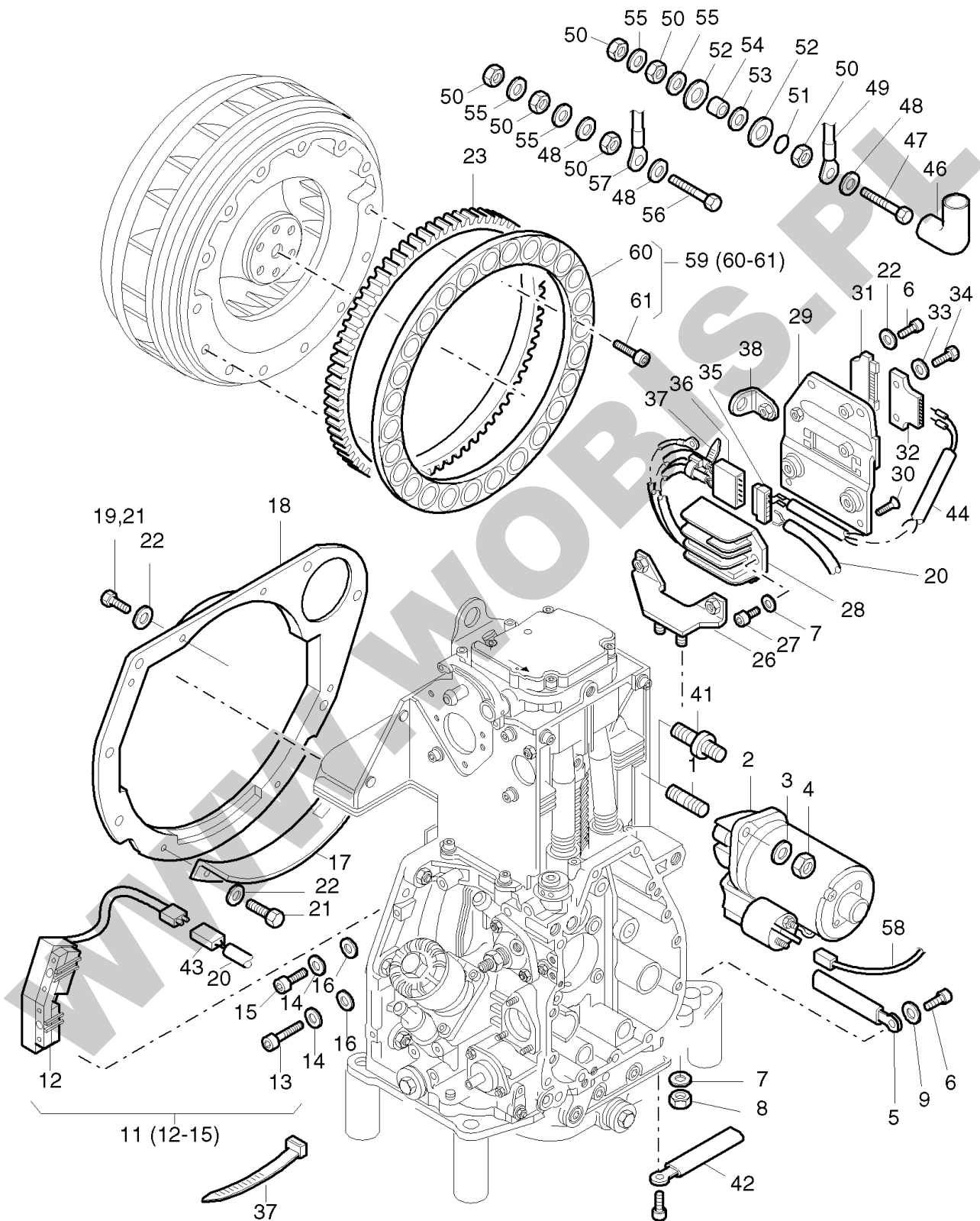
**ORYGINALNE CZĘŚCI ZAMIENNE SERWIS GWARANCYJNY I POGWARANCYJNY WYMIARY
SERWISOWE ORAZ KATALOGI CZĘŚCI ZAMIENNYCH NA STRONIE WWW.WOBIS.PL/SERWIS**

| Pos. | Part no. | Description | Qty. | Notice | Add. notice | kg | EA | TA | DA | dDPW | List price |
|------|----------|---------------------|------|--|-------------|-------|----|----|----|------|------------|
| 26 | 50258500 | O-RING 26 X1,5 | 2 | 26 x 1,5 | | 0,001 | 4 | 11 | 1 | | 1,729 |
| 27 | 01411402 | CR-HANDLE SHAFT 200 | 1 | 200 mm | | 0,720 | 1 | 21 | 2 | | 341,796 |
| 27 | 01469700 | CR-HANDLE SHAFT 330 | 1 | 330 mm | | 1,350 | 1 | 21 | 4 | | 391,3455 |
| 27 | 01187202 | CR-HANDLE SHAFT 80 | 1 | 80 mm | | 0,410 | 1 | 21 | 2 | | 277,6865 |
| 27 | 01426902 | CR-HANDLE SHAFT 160 | 1 | 160 mm | | 0,670 | 1 | 21 | 4 | | 342,4785 |
| 27 | 01426802 | CR-HANDLE SHAFT 140 | 1 | 140 mm | | 0,585 | 1 | 21 | 2 | | 328,3735 |
| 27 | 01421102 | CR-HANDLE SHAFT 275 | 1 | 275 mm | | 0,910 | 1 | 21 | 4 | | 407,3615 |
| 28 | _nopart | Not in this engine | - | | | | | | | | |
| 29 | 01463600 | GUIDING SHELL | 1 | | | 0,200 | 1 | 21 | 1 | | 126,1715 |
| 32 | 04020310 | CRANK JAW LEFT | 1 | | | 0,054 | 1 | 21 | 1 | | 146,4645 |
| 33 | 03985300 | GUARD | 1 | | | 0,056 | 1 | 21 | 2 | | 33,67 |
| 34 | 50195800 | SHIM 10X16X1,0 | 1 | 10 x 16 x 0,5 DIN 988 | | 0,001 | 4 | 11 | 1 | | 1,4105 |
| 38 | 50134900 | ALL.SCR.M 8X 16 | 1 | M 8 x 16 DIN 6912-8.8 A3C | | 0,009 | 4 | 11 | 1 | | 3,1395 |
| 39 | 50387100 | CYL.PIN 5X20 | 1 | 5 M 6 x 20 DIN 6325 | | 0,003 | 4 | 11 | 1 | | 3,003 |
| 44 | 01459500 | GUIDING SHELL | 1 | 80 - 200 mm | | 0,274 | 1 | 21 | 2 | | 148,239 |
| 45 | 50183000 | ALL.SCR. M 8X 35 | 2 | M 8 x 35 DIN 912-8.8 A3C | | 0,018 | 4 | 11 | 1 | | 1,547 |
| 46 | 50148100 | FLAT WASHER 8,4 | 2 | 8,4 DIN 125-St A3C | | 0,002 | 4 | 11 | 1 | | 0,455 |
| 47 | 50145900 | FLAT WASHER 10,5 | 2 | B 10,5 DIN 125-St A3C | | 0,004 | 4 | 11 | 1 | | 1,4105 |
| 48 | 50327800 | ALL.SCR.M10X 35 | 2 | M 10 x 35 DIN 912-8.8 A3C | | 0,031 | 4 | 21 | 1 | | 3,6855 |
| 49 | _nopart | Not in this engine | - | | | | | | | | |
| 50 | 04082900 | CRANKING DEVICE | 1 | 1/2" | | 0,066 | 1 | 21 | 2 | | 70,0245 |
| 51 | 50387601 | BUSH 1 INCH | 1 | 1" | | 0,015 | 4 | 11 | 1 | | 16,016 |
| 52 | _noorder | No single order | - | | | | | | | | |
| 53 | _noorder | No single order | - | | | | | | | | |
| D | 50223300 | LOCTITE 221 | 1 | 50 ML | | 0,077 | 4 | 12 | 0 | | 99,0535 |
| K | 50342600 | GREASE START.DEVICE | 1 | 100 GRAMM part was replaced by 50342601 | | 0,100 | 0 | 12 | 0 | | |
| | | | | | | | | | | | |
| | | | | | | | | | | | |
| | | | | | | | | | | | |



**ORYGINALNE CZĘŚCI ZAMIENNE SERWIS GWARANCYJNY I POGWARANCYJNY WYMIARY
SERWISOWE ORAZ KATALOGI CZĘŚCI ZAMIENNYCH NA STRONIE WWW.WOBIS.PL/SERWIS**

| Pos. | Part no. | Description | Qty. | Notice | Add. notice | kg | EA | TA | DA | dDPW | List price |
|------|----------|---------------------|------|--------------------------|-------------|-------|----|----|----|------|------------|
| 1 | _nopart | Not in this engine | - | | | | | | | | |
| 2 | _nopart | Not in this engine | - | | | | | | | | |
| 3 | _nopart | Not in this engine | - | | | | | | | | |
| 4 | 05045001 | BRAKE DISC | 1 | | | 0,011 | 1 | 11 | 1 | | 11,6025 |
| 5 | 05044800 | RATCHET F.REV.START | 1 | | | 0,026 | 1 | 11 | 1 | | 16,3345 |
| 6 | 05061300 | RETURN SPRING | 1 | | | 0,001 | 1 | 11 | 1 | | 10,738 |
| 7 | 05044901 | BRAKE SPRING | 1 | | | 0,003 | 1 | 11 | 1 | | 11,648 |
| 8 | 01548800 | ROPE PULLEY | 1 | | | 0,170 | 1 | 12 | 1 | | 81,627 |
| 9 | 05088901 | ROPE RECL.STR1750MM | 1 | 1750 mm 1 B 30/40 | | 0,025 | 1 | 11 | 1 | | |
| 10 | 01497800 | HANDLE F.REV.START | 1 | | | 0,022 | 1 | 12 | 1 | | 24,024 |
| 11 | _noorder | No single order | - | | | | | | | | |
| 12 | 03665200 | RUBBER SLEEVE | 1 | | | 0,002 | 1 | 11 | 1 | | 5,369 |
| 13 | 05045201 | RETURN SPRING | 1 | | | 0,092 | 1 | 11 | 1 | | |
| 14 | _nopart | Not in this engine | - | | | | | | | | |
| 15 | 03946800 | GUIDING PIECE | 1 | | | 0,012 | 1 | 11 | 4 | | 29,484 |
| 16 | _nopart | Not in this engine | - | | | | | | | | |
| 17 | _nopart | Not in this engine | - | | | | | | | | |
| 18 | _nopart | Not in this engine | - | | | | | | | | |
| 19 | _nopart | Not in this engine | - | | | | | | | | |
| 20 | 50170700 | ALL.SCR.M 6 X 16 | 4 | M 6 x 16 DIN 912-8.8 A3C | | 0,006 | 4 | 11 | 1 | | 1,729 |
| 21 | 50170900 | SPRING WASHER 6 | 4 | 6 DIN 128 - A3C | | 0,001 | 4 | 11 | 1 | | 0,455 |
| 22 | 50328300 | HEXAGON NUT VM6 | 4 | VM 6 DIN 980-8 A3C | | 0,002 | 4 | 11 | 1 | | 1,4105 |
| 23 | 05077900 | DRIVING SLEEVE | 1 | | | 0,260 | 1 | 11 | 0 | | 141,3685 |
| 25 | 01434600 | RECOIL-STARTER T/U | 1 | 1D50 "T-U" | | 1,325 | 9 | 21 | 0 | | 736,5995 |
| 26 | 50144400 | HEXAGON NUT M 6 | 1 | M 6 DIN 934 - 8 A3C | | 0,002 | 4 | 11 | 1 | | 1,2285 |
| 27 | 50165600 | SPRING WASHER6,5X14 | 1 | 6,5 x 14 DIN 6904 A3C | | 0,001 | 9 | 11 | 0 | | 0,455 |
| 28 | _noorder | No single order | - | | | | | | | | |
| 29 | 50149100 | ALLEN SCREW M 6X 12 | 4 | M 6 x 12 DIN 912-8.8 A3C | | 0,005 | 4 | 11 | 1 | | 1,092 |
| 30 | 50170900 | SPRING WASHER 6 | 4 | 6 DIN 128 - A3C | | 0,001 | 4 | 11 | 1 | | 0,455 |
| 31 | 03608300 | SPACER SLEEVE | 8 | 11 x 15 x 7 | | 0,004 | 1 | 11 | 4 | | 14,014 |

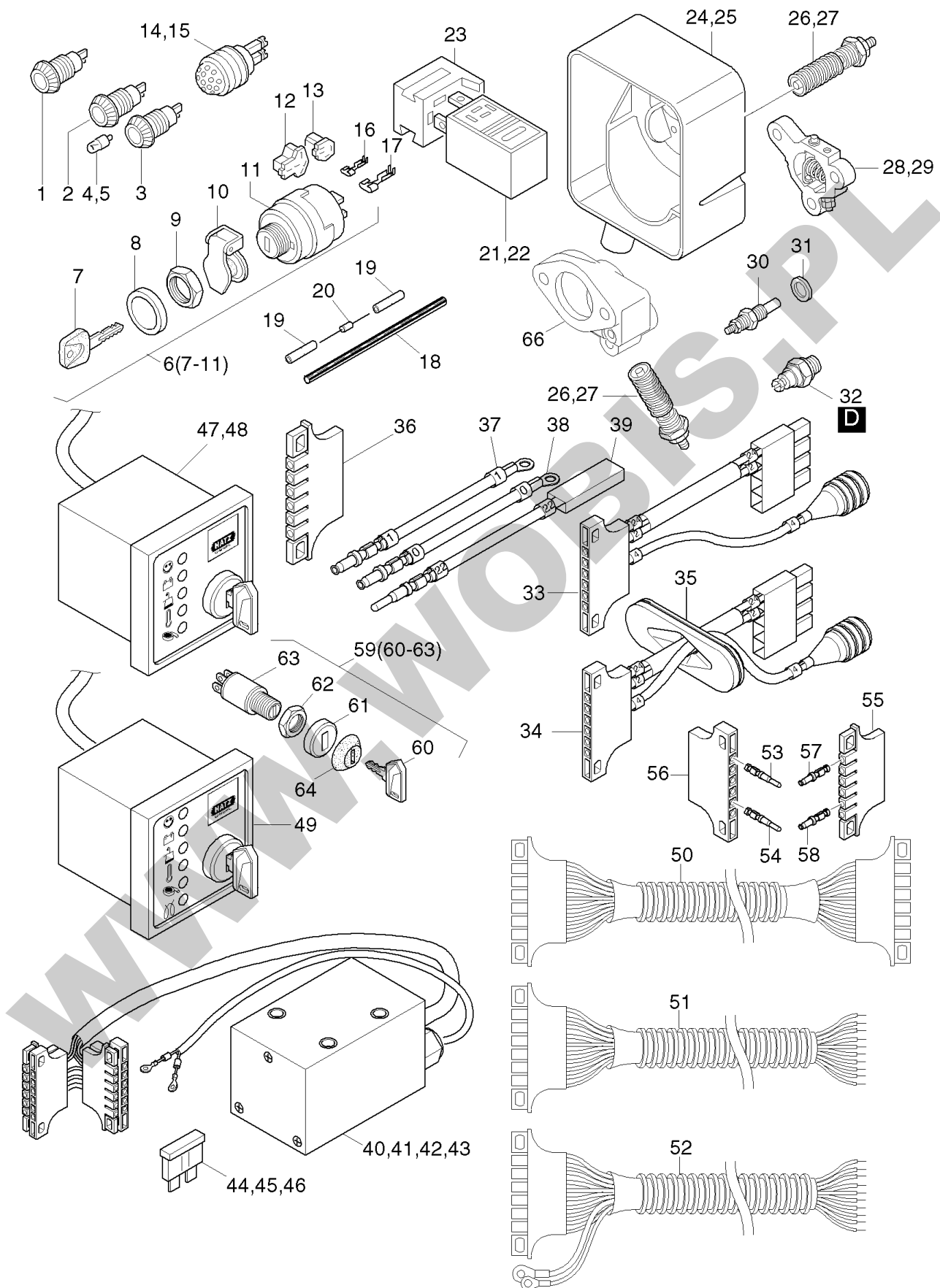


**ORYGINALNE CZĘŚCI ZAMIENNE SERWIS GWARANCYJNY I POGWARANCYJNY WYMIARY
SERWISOWE ORAZ KATALOGI CZĘŚCI ZAMIENNYCH NA STRONIE WWW.WOBIS.PL/SERWIS**

| Pos. | Part no. | Description | Qty. | Notice | Add. notice | kg | EA | TA | DA | dDPW | List price |
|------|----------|---------------------|------|---|-------------|-------|----|----|----|------|------------|
| 1 | 50486400 | STUD M12X 50 | 2 | M 12 x 50Fo DIN 835-8.8 A3C | | 0,066 | 4 | 21 | 1 | | 7,9625 |
| 2 | 50496200 | STARTER 12V 2,0KW | 1 | Einbaulänge beachten, WSI 2001.165 oder, bei Verfügbarkeit, Starter BOSCH 50353511 verwenden part was replaced by 01721000 | | 4,193 | 0 | 21 | 7 | | |
| 2 | 50496300 | STARTER 12V,2KW T/U | 1 | part was replaced by 01721100 | | 4,170 | 0 | 21 | 0 | | |
| 2 | 50496400 | EL.STARTER 24V2,5KW | 1 | part was replaced by 01721200 | | 0,000 | 0 | 21 | 7 | | |
| 3 | 50093700 | FLAT WASHER A 13 | 2 | 13 DIN 125-St A3C | | 0,006 | 4 | 11 | 1 | | 1,729 |
| 4 | 50380600 | HEXAGON NUT M 12 | 2 | M 12 DIN 970-8 A3C | | 0,014 | 4 | 21 | 1 | | 2,912 |
| 5 | 05001200 | CLIP | 2 | | | 0,005 | 1 | 21 | 1 | | 7,644 |
| 6 | 50149100 | ALLEN SCREW M 6X 12 | 2 | M 6 x 12 DIN 912-8.8 A3C | | 0,005 | 4 | 11 | 1 | | 1,092 |
| 7 | 50208500 | SPRING WASHER 8 | 4 | 8 DIN 128 A3C | | 0,001 | 4 | 11 | 1 | | 1,4105 |
| 8 | 50148000 | HEXAGON NUT M 8 | 2 | M 8 DIN 934-8 A3C | | 0,005 | 4 | 11 | 1 | | 1,4105 |
| 9 | 50144500 | FLAT WASHER 6,4 | 1 | 6,4 DIN 125-St A3C | | 0,001 | 4 | 11 | 1 | | 0,455 |
| 11 | _nopart | Not in this engine | - | | | | | | | | |
| 12 | 01440710 | COIL WITH WIRE 12V | 1 | 12 V | | 0,400 | 1 | 21 | 1 | | 436,891 |
| 12 | 01440810 | COIL WITH WIRE 24V | 1 | 24 V | | 0,400 | 1 | 21 | 4 | | 436,891 |
| 13 | 50236600 | ALL SCR.M 6X 25 | 1 | M 6 x 25 DIN 6912-8.8 A3C | | 0,006 | 4 | 11 | 1 | | 2,912 |
| 14 | 50165600 | SPRING WASHER6,5X14 | 2 | 6,5 x 14 DIN 6904 A3C | | 0,001 | 9 | 11 | 0 | | 0,455 |
| 15 | 50448700 | ALL.SCR.M 6X 30 | 1 | M 6 x 30 DIN 6912-8.8 A3C | | 0,007 | 4 | 21 | 1 | | 2,3205 |
| 16 | 50144500 | FLAT WASHER 6,4 | 1 | 6,4 DIN 125-St A3C | | 0,001 | 4 | 11 | 1 | | 0,455 |
| 17 | _nopart | Not in this engine | - | | | | | | | | |
| 18 | 04136800 | PARTING SHEET | 1 | part was replaced by 04136801 | | 0,000 | 0 | 21 | 7 | | |
| 19 | 50098500 | HEXSCREW M 8X 16 | 2 | M 8 x 16 DIN 933-8.8 A3C | | 0,011 | 4 | 11 | 1 | | 2,3205 |
| 20 | 01558300 | ELECTRIC WIRE GEN. | 1 | 350W | | 0,085 | 1 | 21 | 2 | | 70,161 |
| 21 | 50165500 | HEXSCREW M 6X 12 | 3 | M 6 x 12 DIN 933-8.8 A3C | | 0,004 | 4 | 11 | 1 | | 1,5015 |
| 22 | 50170900 | SPRING WASHER 6 | 4 | 6 DIN 128 - A3C | | 0,001 | 4 | 11 | 1 | | 0,455 |
| 23 | 04032310 | GEARRING S/Z/C | 1 | | | 0,582 | 1 | 21 | 1 | | 272,1355 |
| 23 | 03997500 | GEARRING T/U | 1 | | | 0,650 | 9 | 21 | 0 | | 278,551 |
| 26 | 01440401 | SUPPORT | 1 | | | 0,106 | 1 | 21 | 5 | | |
| 27 | 50165400 | ALL.SCR.M 8X 16 | 2 | M 8 x 16 DIN 912-8.8 A3C | | 0,009 | 4 | 21 | 1 | | 2,6845 |

**ORYGINALNE CZĘŚCI ZAMIENNE SERWIS GWARANCYJNY I POGWARANCYJNY WYMIARY
SERWISOWE ORAZ KATALOGI CZĘŚCI ZAMIENNYCH NA STRONIE WWW.WOBIS.PL/SERWIS**

| Pos. | Part no. | Description | Qty. | Notice | Add. notice | kg | EA | TA | DA | dDPW | List price |
|------|----------|---------------------|------|--------------------------------------|-------------|-------|----|----|----|------|------------|
| 28 | 01425023 | REGULATOR 24V | 1 | 24 V | | 0,315 | 4 | 21 | 5 | | |
| 28 | 01248123 | REGULATOR 12V | 1 | 12 V | | 0,314 | 4 | 21 | 5 | | 411,0015 |
| 28 | 01248122 | REGULATOR 12V | 1 | 12V part was replaced by 01248123 | | 0,050 | 0 | 21 | 7 | | |
| 28 | 01425022 | REGULATOR 24V | 1 | part was replaced by 01425023 | | 0,050 | 0 | 21 | 7 | | |
| 29 | 01440100 | FASTENING PLATE | 1 | | | 0,372 | 1 | 21 | 1 | | 102,8755 |
| 30 | 50380800 | CTR.SUNK SCR.M6X10 | 2 | M 6 x 10 DIN 7991 -8.8 A3C | | 0,003 | 4 | 21 | 1 | | 2,5935 |
| 31 | 50373700 | PLUG SLEEVE HOUSING | 1 | | | 0,005 | 4 | 21 | 1 | | 16,835 |
| 32 | 50373600 | PIN TERM.HOUS.6 WAY | 1 | | | 0,007 | 4 | 21 | 1 | | 16,835 |
| 33 | 50216300 | WASHER 5,3 | 2 | 5,3 DIN 125-St A3C | | 0,001 | 4 | 11 | 1 | | 0,455 |
| 34 | 50335700 | HEXSCREW M 5X 25 | 2 | M 5 x 25 DIN 933-8.8 A3C | | 0,005 | 4 | 11 | 1 | | 1,4105 |
| 35 | 50402100 | PLUG SLEEVE HOUSING | 1 | 4-P. | | 0,003 | 4 | 21 | 1 | | 26,2535 |
| 36 | 50402000 | PLUG HOUSING 4-P. | 1 | | | 0,002 | 4 | 21 | 1 | | 26,2535 |
| 37 | 50358400 | STRAP | 4 | 200 x 4,8 mm SCHWARZ | | 0,001 | 4 | 11 | 1 | | 0,6825 |
| 38 | 01440500 | SUPPORT | 1 | | | 0,020 | 1 | 21 | 1 | | 13,013 |
| 41 | _nopart | Not in this engine | - | | | | | | | | |
| 42 | 05023900 | CLIP | 2 | | | 0,006 | 1 | 21 | 1 | | 7,553 |
| 43 | 50379700 | PLUG HOUSING 2-P. | 1 | | | 0,002 | 4 | 21 | 1 | | 12,9675 |
| 44 | 01439400 | WIRING HARNESS | 1 | | | 0,020 | 1 | 21 | 1 | | 93,821 |
| 46 | _nopart | Not in this engine | - | | | | | | | | |
| 47 | _nopart | Not in this engine | - | | | | | | | | |
| 48 | _nopart | Not in this engine | - | | | | | | | | |
| 49 | _nopart | Not in this engine | - | | | | | | | | |
| 50 | _nopart | Not in this engine | - | | | | | | | | |
| 51 | _nopart | Not in this engine | - | | | | | | | | |
| 52 | _nopart | Not in this engine | - | | | | | | | | |
| 53 | _nopart | Not in this engine | - | | | | | | | | |
| 54 | _nopart | Not in this engine | - | | | | | | | | |
| 55 | _nopart | Not in this engine | - | | | | | | | | |
| 56 | _nopart | Not in this engine | - | | | | | | | | |

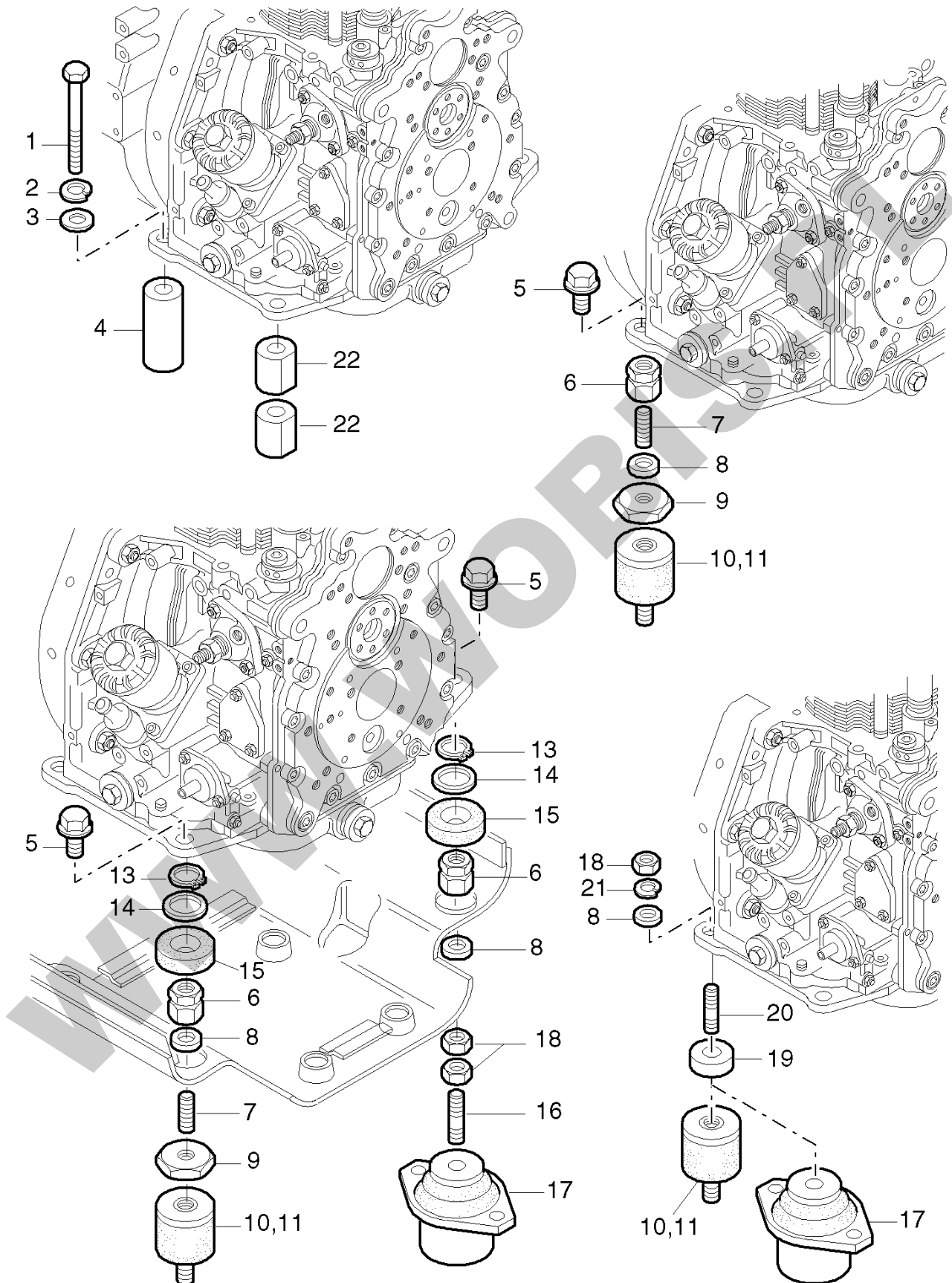


**ORYGINALNE CZĘŚCI ZAMIENNE SERWIS GWARANCYJNY I POGWARANCYJNY WYMIARY
SERWISOWE ORAZ KATALOGI CZĘŚCI ZAMIENNYCH NA STRONIE WWW.WOBIS.PL/SERWIS**

| Pos. | Part no. | Description | Qty. | Notice | Add. notice | kg | EA | TA | DA | dDPW | List price |
|------|----------|---------------------|--------|---------------------------|-------------|-------|----|----|----|------|------------|
| 1 | 50176500 | INDICATOR LAMP BAT | 1 | BATT. | | 0,012 | 4 | 21 | 2 | | 25,0705 |
| 2 | 50176400 | INDICATOR LAMP TEMP | 1 | TEMP. | | 0,012 | 4 | 21 | 2 | | 25,0705 |
| 3 | 50176600 | INDICATOR LAMP OIL | 1 | OIL | | 0,012 | 4 | 21 | 2 | | 25,0705 |
| 4 | 40009700 | BULB 12V-2W | 0... 3 | 12 V - 2 W | | 0,002 | 4 | 21 | 2 | | 8,099 |
| 5 | 40009800 | BULB 24V-2W | 0... 3 | 24 V - 2 W | | 0,002 | 4 | 21 | 4 | | 10,6925 |
| 6 | 50276502 | GLOW START.SWITCH | 1 | | | 0,191 | 4 | 21 | 2 | | 287,105 |
| 7 | 50345300 | SWITCH BOX KEY | 1 | 14603 | | 0,004 | 4 | 12 | 1 | | 28,847 |
| 8 | _noorder | No single order | - | | | | | | | | |
| 9 | _noorder | No single order | - | | | | | | | | |
| 10 | 49050900 | COVER | 1 | | | 0,016 | 4 | 23 | 1 | | 42,9065 |
| 11 | _noorder | No single order | - | | | | | | | | |
| 12 | 50276700 | PLUG SLEEVE HOUSING | 1 | 6 - P | | 0,005 | 4 | 21 | 2 | | 12,0575 |
| 13 | 50276600 | PLUG SLEEVE HOUSING | 1 | 4 - P | | 0,006 | 4 | 21 | 2 | | 10,01 |
| 14 | 50403600 | GLOW PLUG INDICATOR | 1 | 12 - 24 V | | 0,110 | 4 | 21 | 4 | | 176,358 |
| 15 | _nopart | Not in this engine | - | | | | | | | | |
| 16 | 40074700 | PLUG SLEEVE | 5 | B 6,3 - 2,5 BZ | | 0,001 | 4 | 21 | 1 | | 3,003 |
| 17 | 50276800 | PLUG SLEEVE | 4 | 9,5 - 6A | | 0,002 | 4 | 21 | 2 | | 6,3245 |
| 18 | 03670000 | INSUL.HOSE 120MM | 2 | 4 x 120 mm | | 0,001 | 1 | 21 | 4 | | 3,094 |
| 19 | 50189200 | MULTIPOLE CONNECTOR | 4 | EHQ 453-1 | | 0,001 | 4 | 21 | 2 | | 1,5925 |
| 20 | 50344400 | DIODE | 2 | DIODE | | 0,001 | 4 | 21 | 2 | | 2,4115 |
| 21 | 50275802 | RELAY ENG.PROT. 12V | 0... 1 | 12 V HATZ MSR | | 0,050 | 4 | 21 | 2 | | 448,2205 |
| 22 | 50275902 | RELAY ENG.PROT. 24V | 0... 1 | 24 V HATZ MSR | | 0,050 | 4 | 21 | 4 | | 495,586 |
| 23 | 50276000 | SOCKET | 1 | | | 0,021 | 4 | 21 | 2 | | 23,023 |
| 24 | 05035110 | AIRFILTER HOUSING | 0... 1 | (24 V) | | 0,920 | 1 | 21 | 4 | | 220,493 |
| 25 | _nopart | Not in this engine | - | | | | | | | | |
| 26 | 50403700 | GLOW PLUG 12V | 0... 1 | 24 V Widerstand, resistor | | 0,082 | 4 | 21 | 4 | | 160,979 |
| 27 | _nopart | Not in this engine | - | | | | | | | | |
| 28 | 01468201 | HEATER FLANGE | 1 | 12 - 24 V | | 0,000 | 1 | 21 | 4 | | 315,6335 |
| 29 | _nopart | Not in this engine | - | | | | | | | | |
| 30 | 50268600 | TEMP.SWITCH C-HD220 | 1 | TEMP. 12-24V | | 0,016 | 4 | 21 | 1 | | 172,1265 |

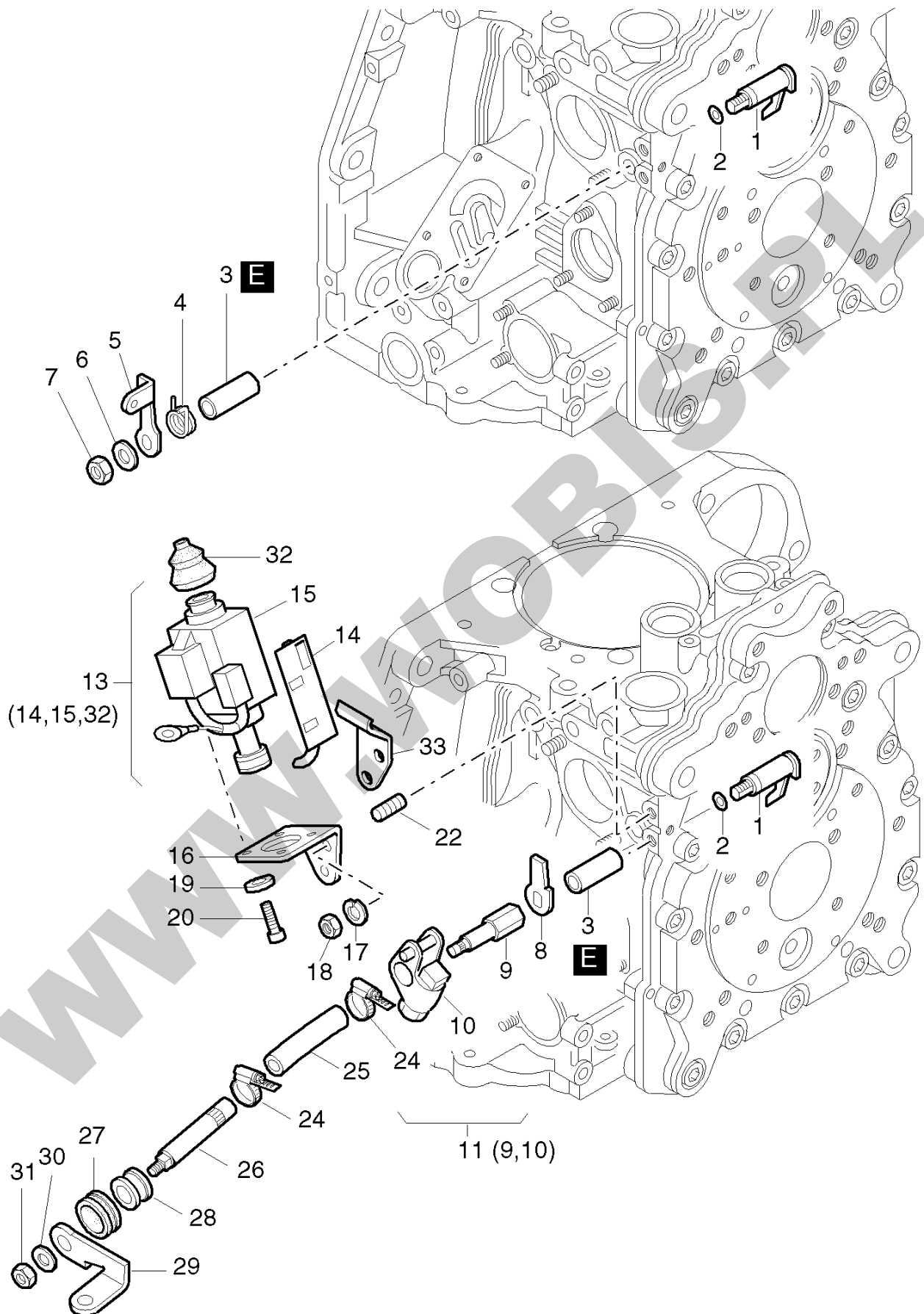
**ORYGINALNE CZĘŚCI ZAMIENNE SERWIS GWARANCYJNY I POGWARANCYJNY WYMIARY
SERWISOWE ORAZ KATALOGI CZĘŚCI ZAMIENNYCH NA STRONIE WWW.WOBIS.PL/SERWIS**

| Pos. | Part no. | Description | Qty. | Notice | Add. notice | kg | EA | TA | DA | dDPW | List price |
|------|----------|---------------------|--------|-----------------------------------|-------------|-------|----|----|----|------|------------|
| 31 | 05162400 | BUSH 10,4X14X4 | 1 | 10,4 x 14 x 4 | | 0,002 | 1 | 21 | 2 | | 7,5985 |
| 32 | 50272200 | OIL PRESSURE SWITCH | 1 | 12 - 24V Oil n > 2300 min-1 | | 0,031 | 4 | 21 | 1 | | 45,8185 |
| 33 | 01403620 | WIRING HARNESS | 1 | | | 0,027 | 1 | 21 | 1 | | 94,7765 |
| 34 | _nopart | Not in this engine | - | | | | | | | | |
| 35 | _nopart | Not in this engine | - | | | | | | | | |
| 36 | 50373700 | PLUG SLEEVE HOUSING | 1 | | | 0,005 | 4 | 21 | 1 | | 16,835 |
| 37 | 01574300 | ELECTRIC WIRE 350MM | 1 | (1) | | 0,025 | 1 | 21 | 1 | | 23,7965 |
| 38 | 01574402 | ELECTRIC WIRE 450MM | 1 | (0) | | 0,011 | 1 | 21 | 1 | | 20,111 |
| 39 | 01526800 | ELECTR.WIRE 360 MM | 1 | (22) | | 0,011 | 1 | 21 | 1 | | 27,1635 |
| 40 | 01589300 | POWERBOX 12V | 1 | 12 V Powerbox II | | 0,671 | 1 | 21 | 2 | | 1143,051 |
| 41 | 01595700 | POWERBOX 24V | 1 | 24 V Powerbox II | | 0,300 | 1 | 21 | 4 | | 933,205 |
| 42 | 01591000 | POWERBOX 12 V | 1 | 12 V Powerbox III | | 0,612 | 1 | 21 | 4 | | 1097,5965 |
| 43 | 01591100 | POWERBOX 24V | 1 | 24 V Powerbox III | | 0,617 | 1 | 21 | 4 | | 1139,957 |
| 44 | 50430400 | FUSE LINK 15A | 0... 1 | 15 A | | 0,002 | 4 | 31 | 0 | | 3,8675 |
| 44 | 50459300 | FUSE LINK 10A | 0... 1 | 10 A | | 0,002 | 4 | 21 | 4 | | 10,829 |
| 45 | 50430700 | FUSE LINK 30A | 0... 1 | 30 A | | 0,002 | 4 | 31 | 0 | | 3,8675 |
| 46 | 50433000 | FUSE LINK 40A | 1... 2 | 40 A part run out no successor | | 0,001 | 4 | 31 | 0 | | 3,913 |
| 47 | 01551802 | INSTRUMENT BOX 12V | 1 | 12 V, A 1 | | 0,989 | 1 | 21 | 2 | | 938,2555 |
| 48 | 01569702 | INSTRUMENT BOX 24V | 1 | 24 V, A 1 | | 0,998 | 1 | 21 | 4 | | 1287,0585 |
| 49 | 01558901 | INST.BOX 12/24V AUT | 1 | 12 V / 24 V, Aut. | | 1,081 | 1 | 21 | 2 | | 2114,7945 |
| 50 | 01611200 | WIRING HARNESS | 1 | K 1 - 2 m | | 0,613 | 1 | 21 | 2 | | 375,6935 |
| 51 | 01549801 | WIRING HARNESS 2M | 1 | K 2 - 2 m | | 0,606 | 1 | 21 | 2 | | 292,838 |
| 52 | 01192710 | WIRING HARNESS | 1 | K 3 - 2 m | | 0,838 | 1 | 21 | 2 | | 341,614 |
| 53 | 50374300 | PIN TERM. 2,5-4,0 | 1 | 2,5 - 4,0 | | 0,001 | 4 | 21 | 1 | | 4,4135 |
| 54 | 50374100 | PIN TERM. 0,5-1 | 5 | 0,5 - 1,0 | | 0,001 | 4 | 21 | 1 | | 4,4135 |
| 55 | 50373700 | PLUG SLEEVE HOUSING | 1 | | | 0,005 | 4 | 21 | 1 | | 16,835 |
| 56 | 50373600 | PIN TERM.HOUS.6 WAY | 1 | | | 0,007 | 4 | 21 | 1 | | 16,835 |
| 57 | 50373800 | SLEEVE 0,5-1,0 | 5 | 0,5 - 1,0 | | 0,001 | 4 | 21 | 1 | | 4,4135 |
| 58 | 50373900 | SLEEVE 1,5-2,5 | 1 | 1,5 - 2,5 | | 0,001 | 4 | 21 | 1 | | 4,4135 |



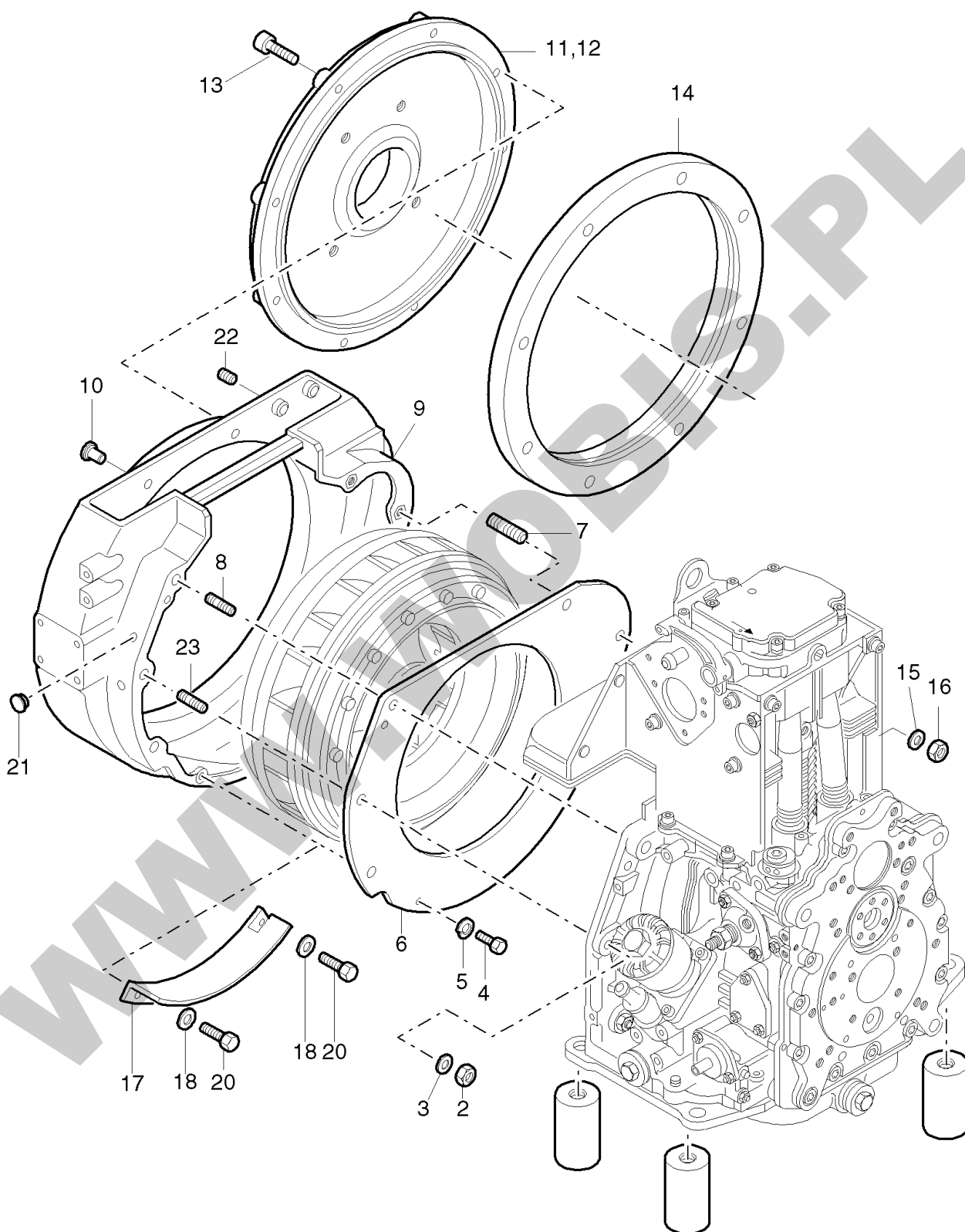
**ORYGINALNE CZĘŚCI ZAMIENNE SERWIS GWARANCYJNY I POGWARANCYJNY WYMIARY
SERWISOWE ORAZ KATALOGI CZĘŚCI ZAMIENNYCH NA STRONIE WWW.WOBIS.PL/SERWIS**

| Pos. | Description | Notice |
|------|----------------------------------|-------------------------------|
| 1 | M10 x ... DIN 933 measure length | |
| 2 | SPRING WASHER 10 | A 10 DIN 128 |
| 3 | DISC 10,5 | 10,5 x 25 x 4 DIN 7349 A3C |
| 4 | BUSH 13X36X52 | 13 x 36 x 52 |
| 4 | SPACER TUBE | 13 x 36 x 13 |
| 5 | HEXSCREW M10X 20 | M 10 x 20 A3C W 158.12 - 10.9 |
| 6 | NUT M10 X 27,5 | M 10 x 27,5 |
| 7 | GRUB SCREW M10X30 | M 10 x 30 |
| 8 | DISC 10,5 | 10,5 x 25 x 4 DIN 7349 A3C |
| 9 | DISC 10,5X55X5 | 10,5 x 55 x 5 |
| 10 | ANTI VIBR.MOUNTINGS | 40 Shore |
| 11 | ANTI VIBR.MOUNTINGS | 55 Shore |
| 13 | Not in this engine | |
| 14 | Not in this engine | |
| 15 | Not in this engine | |
| 16 | Not in this engine | |
| 17 | HYDRO BUFFER | V 12 / 600 |
| 18 | HEXAGON NUT M 10 | M 10 DIN 934-8 A3C |
| 19 | SPACER TUBE | 13 x 36 x 13 |
| 20 | STUD M10X 40 | M 10 x 40 DIN 939 |
| 21 | SPRING WASHER 10 | 10 DIN 128 A3C |
| 22 | SPAC.SLEEV.52 CHAMF | f. Höhe 52, f. height 52 |
| 22 | SPAC.DISC 13 CHAMF. | f. Höhe 13, f. height 13 |
| | | |
| | | |
| | | |
| | | |
| | | |
| | | |
| | | |
| | | |
| | | |
| | | |



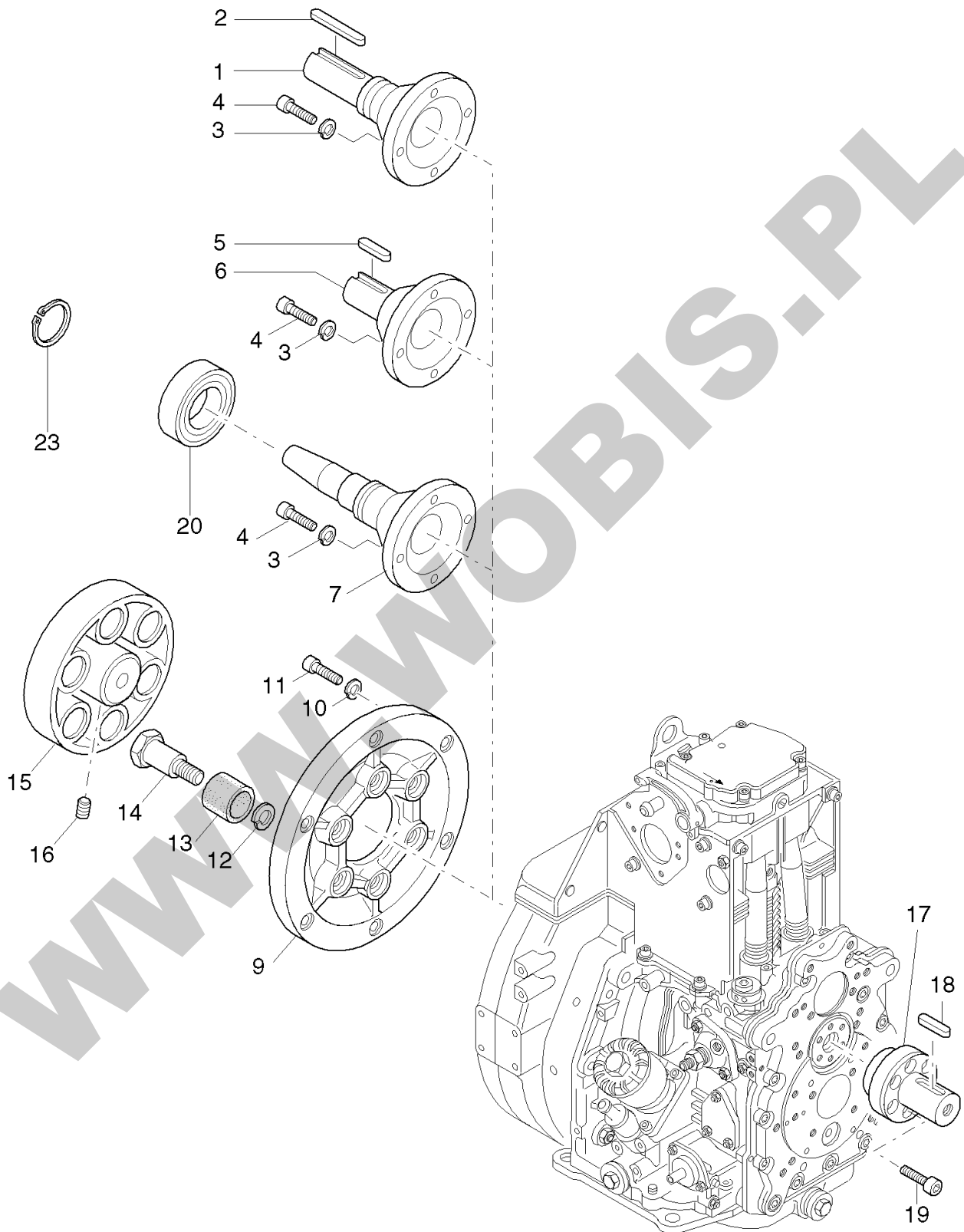
**ORYGINALNE CZĘŚCI ZAMIENNE SERWIS GWARANCYJNY I POGWARANCYJNY WYMIARY
SERWISOWE ORAZ KATALOGI CZĘŚCI ZAMIENNYCH NA STRONIE WWW.WOBIS.PL/SERWIS**

| Pos. | Part no. | Description | Qty. | Notice | Add. notice | kg | EA | TA | DA | dDPW | List price |
|------|----------|---------------------|------|---------------------------|-------------|-------|----|----|----|------|------------|
| 1 | 01254603 | LEVER CPL. | 1 | | | 0,020 | 1 | 21 | 5 | | |
| 2 | 50343300 | O-RING 4,6 X 1,85 | 1 | 4,6 x 1,85 | | 0,001 | 4 | 21 | 1 | | 1,092 |
| 3 | 04021400 | BUSH | 1 | | | 0,007 | 1 | 21 | 1 | | 22,0675 |
| 4 | 04021800 | SPRING | 1 | | | 0,002 | 1 | 11 | 1 | | 6,6885 |
| 5 | 04021700 | LEVER | 1 | | | 0,011 | 1 | 21 | 1 | | 11,5115 |
| 6 | 50144500 | FLAT WASHER 6,4 | 1 | 6,4 DIN 125-St A3C | | 0,001 | 4 | 11 | 1 | | 0,455 |
| 7 | 50328300 | HEXAGON NUT VM6 | 1 | VM 6 DIN 980-8 A3C | | 0,002 | 4 | 11 | 1 | | 1,4105 |
| 8 | 05209200 | SUPPORT | 1 | | | 0,005 | 1 | 21 | 1 | | 19,019 |
| 9 | _noorder | No single order | - | | | | | | | | |
| 10 | 01493111 | LEVER F.STOP MAGNT. | 1 | | | 0,020 | 1 | 21 | 1 | | 30,849 |
| 11 | 01515300 | SHAFT+LEVER STOPMAG | 1 | | | 0,035 | 1 | 22 | 2 | | 53,1895 |
| 13 | 01515500 | LIFTING MAGNET 12V | 1 | 12 V | | 0,412 | 1 | 22 | 2 | | 804,0305 |
| 13 | 01515400 | LIFTING MAGNET 24V | 1 | 24 V | | 0,412 | 1 | 22 | 2 | | 804,0305 |
| 14 | 05058400 | CABLE HOLDER | 1 | | | 0,014 | 1 | 21 | 2 | | 13,104 |
| 15 | _noorder | No single order | - | | | | | | | | |
| 16 | 05023501 | CONSOLE | 1 | | | 0,039 | 1 | 21 | 2 | | 17,5175 |
| 17 | 50170900 | SPRING WASHER 6 | 2 | 6 DIN 128 - A3C | | 0,001 | 4 | 11 | 1 | | 0,455 |
| 18 | 50144400 | HEXAGON NUT M 6 | 2 | M 6 DIN 934 - 8 A3C | | 0,002 | 4 | 11 | 1 | | 1,2285 |
| 19 | 50216300 | WASHER 5,3 | 3 | 5,3 DIN 125-St A3C | | 0,001 | 4 | 11 | 1 | | 0,455 |
| 20 | 50112600 | ALL.SCR.M 5X 10 | 4 | M 5 x 10 DIN 6912-8.8 A3C | | 0,003 | 4 | 11 | 1 | | 2,6845 |
| 22 | 50366800 | STUD M 6X12 | 2 | M 6 x 12 DIN 835-8.8 A3C | | 0,004 | 4 | 11 | 1 | | 4,186 |
| 24 | _nopart | Not in this engine | - | | | | | | | | |
| 25 | _nopart | Not in this engine | - | | | | | | | | |
| 26 | _nopart | Not in this engine | - | | | | | | | | |
| 27 | _nopart | Not in this engine | - | | | | | | | | |
| 28 | _nopart | Not in this engine | - | | | | | | | | |
| 29 | _nopart | Not in this engine | - | | | | | | | | |
| 30 | _nopart | Not in this engine | - | | | | | | | | |
| 31 | _nopart | Not in this engine | - | | | | | | | | |
| 32 | 50248900 | BELLOW | 1 | | | 0,002 | 9 | 21 | 0 | | 25,753 |



**ORYGINALNE CZĘŚCI ZAMIENNE SERWIS GWARANCYJNY I POGWARANCYJNY WYMIARY
SERWISOWE ORAZ KATALOGI CZĘŚCI ZAMIENNYCH NA STRONIE WWW.WOBIS.PL/SERWIS**

| Pos. | Part no. | Description | Qty. | Notice | Add. notice | kg | EA | TA | DA | dDPW | List price |
|------|----------|---------------------|------|-----------------------------|-------------------|-------|----|----|----|------|------------|
| 2 | 50145800 | HEXAGON NUT M 10 | 4 | M 10 DIN 934-8 A3C | | 0,011 | 4 | 11 | 1 | | 2,002 |
| 3 | 50145900 | FLAT WASHER 10,5 | 4 | B 10,5 DIN 125-St A3C | | 0,004 | 4 | 11 | 1 | | 1,4105 |
| 4 | 50177100 | HEXSCREW M 6X 16 | 2 | M 6 x 16 DIN 933-8.8 A3C | | 0,005 | 4 | 11 | 1 | | 1,4105 |
| 5 | 50170900 | SPRING WASHER 6 | 2 | 6 DIN 128 - A3C | | 0,001 | 4 | 11 | 1 | | 0,455 |
| 6 | 04136501 | PARTING SHEET | 1 | | s.Grp A05a Pos 18 | 0,352 | 1 | 11 | 1 | | 82,7645 |
| 7 | 50475000 | STUD M12FO X40 | 2 | M 12 x 40 DIN 835-8.8 A3C | | 0,046 | 4 | 11 | 1 | | 8,463 |
| 8 | 50040900 | STUD M10X 35 | 3 | M 10 x 35 DIN 835 - 8.8 | | 0,029 | 4 | 11 | 1 | | 4,186 |
| 9 | 01689000 | INTERMED.HOUSG.1D50 | 1 | SAE 5 1D50 | | 3,335 | 1 | 12 | 1 | | 984,6655 |
| 10 | 50421600 | CLOSING PLUG | 8 | 12 | | 0,001 | 4 | 11 | 1 | | 1,638 |
| 11 | 03953402 | HOUSING EXTERN.BEAR | 1 | SAE "B" Ø 146,1 | | 3,590 | 1 | 21 | 2 | | 925,652 |
| 12 | 03953502 | INTERMED.HOUS.SAE B | 1 | SAE "B" Ø 177,8 | | 3,587 | 1 | 21 | 4 | | 947,31 |
| 13 | 50054700 | ALL.SCR.M10X 45 | 8 | M 10 x 45 DIN 912 - 8.8 | | 0,037 | 4 | 21 | 2 | | 3,458 |
| 14 | 03954401 | INTERMEDIATE RING | 1 | SAE 5 | | 1,870 | 1 | 21 | 2 | | 746,291 |
| 15 | 50093700 | FLAT WASHER A 13 | 2 | 13 DIN 125-St A3C | | 0,006 | 4 | 11 | 1 | | 1,729 |
| 16 | 50093600 | HEXAGON NUT M 12 | 2 | M12 DIN 934-8 A3C | | 0,017 | 4 | 11 | 1 | | 2,6845 |
| 17 | _nopart | Not in this engine | - | | | | | | | | |
| 18 | _nopart | Not in this engine | - | | | | | | | | |
| 20 | _nopart | Not in this engine | - | | | | | | | | |
| 21 | 50545800 | CLOSING PLUG 10MM | 2 | 10,5 | | 0,001 | 4 | 11 | 1 | | 2,3205 |
| 22 | 50226000 | GRUB SCREW M 8X6 | 4 | M 8 x 6 DIN 913-45H TU.FLEC | | 0,002 | 4 | 11 | 1 | | 3,9585 |
| 23 | 50041200 | STUD M10X 45 | 1 | M 10 x 45 DIN 835 - 8.8 | | 0,035 | 4 | 11 | 1 | | 4,732 |
| | | | | | | | | | | | |
| | | | | | | | | | | | |
| | | | | | | | | | | | |
| | | | | | | | | | | | |
| | | | | | | | | | | | |
| | | | | | | | | | | | |
| | | | | | | | | | | | |
| | | | | | | | | | | | |
| | | | | | | | | | | | |
| | | | | | | | | | | | |
| | | | | | | | | | | | |



**ORYGINALNE CZĘŚCI ZAMIENNE SERWIS GWARANCYJNY I POGWARANCYJNY WYMIARY
SERWISOWE ORAZ KATALOGI CZĘŚCI ZAMIENNYCH NA STRONIE WWW.WOBIS.PL/SERWIS**

| Pos. | Part no. | Description | Qty. | Notice | Add. notice | kg | EA | TA | DA | dDPW | List price |
|------|----------|---------------------|------|--|-------------|-------|----|----|----|------|------------|
| 1 | 03952001 | SHAFT 25,4X161,0 | 1 | 2 ø 1" ZENTR.100 | | 1,525 | 1 | 21 | 4 | | 641,186 |
| 2 | 03962700 | FITTINGKEY A6,35X63 | 1 | A 6,35 x 63 part was replaced by 05141600 | | 0,000 | 0 | 11 | 7 | | |
| 3 | 50208500 | SPRING WASHER 8 | 4 | 8 DIN 128 A3C | | 0,001 | 4 | 11 | 1 | | 1,4105 |
| 4 | 50171500 | ALL.SCR.M 8X 25 | 4 | M 8 x 25 DIN 912-8.8 A3C | | 0,015 | 4 | 11 | 1 | | 2,457 |
| 5 | 50011500 | FITTINGKEY A 8X7X35 | 1 | A 8 x 7 x 35 DIN 6885 | | 0,014 | 4 | 21 | 2 | | 3,367 |
| 6 | 03954300 | SHAFT 30X100 | 1 | 2 ø 30 mm ZENTR.100 | | 2,228 | 1 | 21 | 2 | | 482,664 |
| 7 | 03953201 | STUBSHFT.TAP.X177,5 | 1 | 4 (1") keg., con. ZENTR.100 | | 1,580 | 1 | 21 | 2 | | 561,743 |
| 9 | 03951700 | FLANGE | 1 | | | 1,850 | 1 | 21 | 4 | | 331,331 |
| 10 | 50208500 | SPRING WASHER 8 | 6 | 8 DIN 128 A3C | | 0,001 | 4 | 11 | 1 | | 1,4105 |
| 11 | 50366300 | ALL.SCR.M 8X 20 | 6 | M 8 x 20 DIN 912-8.8 A3C | | 0,013 | 4 | 11 | 1 | | 2,3205 |
| 12 | 50061601 | SPRING WASHER 12 | 6 | VHZ 12 | | 0,002 | 4 | 21 | 2 | | 1,2285 |
| 13 | 03151000 | RUBBER SHELL | 6 | SCHLAUCHST | | 0,015 | 1 | 21 | 2 | | 13,5135 |
| 14 | 03046900 | TAPPET | 6 | | | 0,090 | 1 | 21 | 2 | | 34,9895 |
| 15 | 03004602 | COUNTER FLANGE | 1 | | | 2,270 | 1 | 21 | 4 | | 554,372 |
| 16 | 50004600 | GRUB SCREW M 8X16 | 1 | M 8 x 16 DIN 916-45H A3C | | 0,003 | 4 | 11 | 1 | | 2,912 |
| 17 | 05007400 | STUBSHAFT 25X65 | 1 | 25 x 65 ZENTR. 30 | | 0,500 | 1 | 21 | 4 | | 634,452 |
| 18 | 50011500 | FITTINGKEY A 8X7X35 | 1 | A 8 x 7 x 35 DIN 6885 | | 0,014 | 4 | 21 | 2 | | 3,367 |
| 19 | 50170700 | ALL.SCR.M 6 X 16 | 6 | M 6 x 16 DIN 912-8.8 A3C | | 0,006 | 4 | 11 | 1 | | 1,729 |
| 20 | 50479800 | BALL REARING | 1 | EC 6307 LLu C3/2A | | 0,448 | 4 | 21 | 2 | | 172,2175 |
| 23 | 50021100 | CIRCLIP 35X1,5 | 1 | A 35 x 1,5 DIN 471 | | 0,003 | 4 | 21 | 2 | | 3,6855 |
| | | | | | | | | | | | |
| | | | | | | | | | | | |
| | | | | | | | | | | | |
| | | | | | | | | | | | |
| | | | | | | | | | | | |
| | | | | | | | | | | | |
| | | | | | | | | | | | |
| | | | | | | | | | | | |
| | | | | | | | | | | | |
| | | | | | | | | | | | |
| | | | | | | | | | | | |

