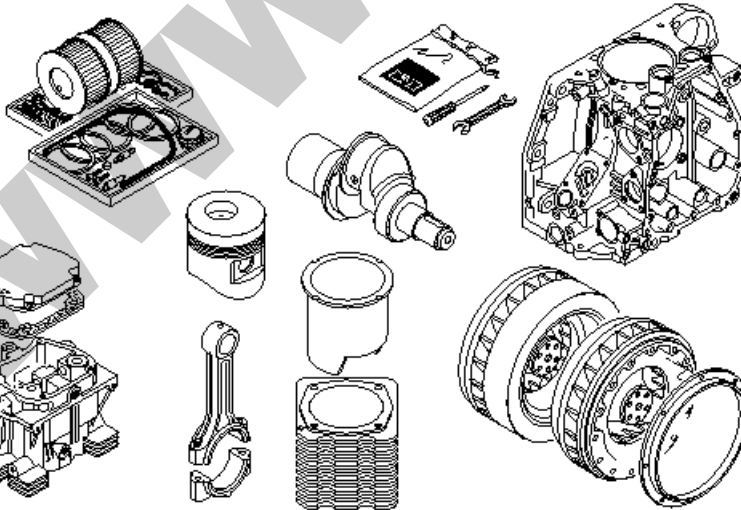


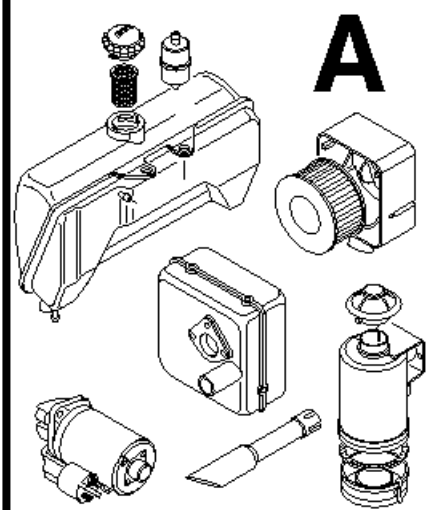
1D50.12

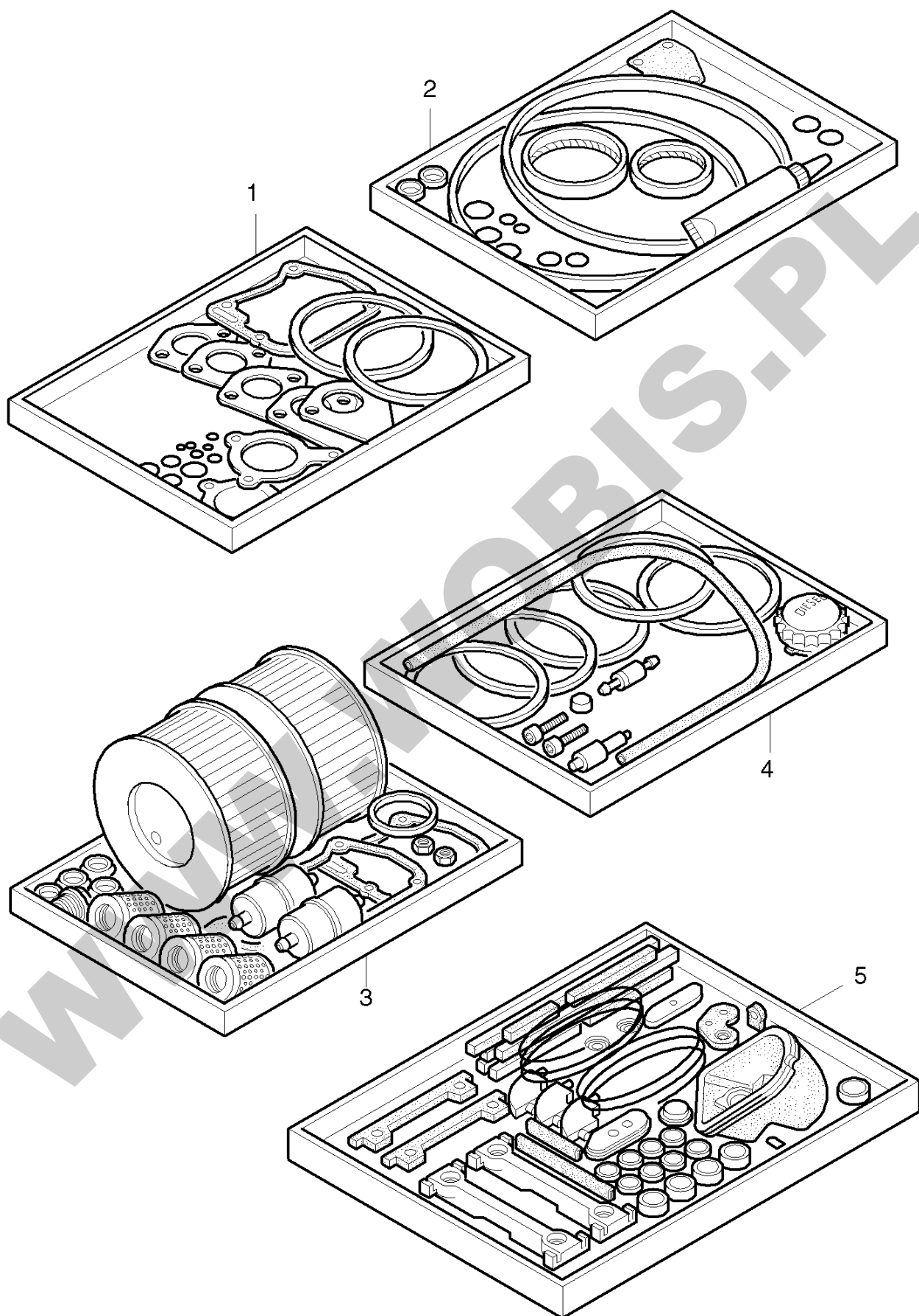


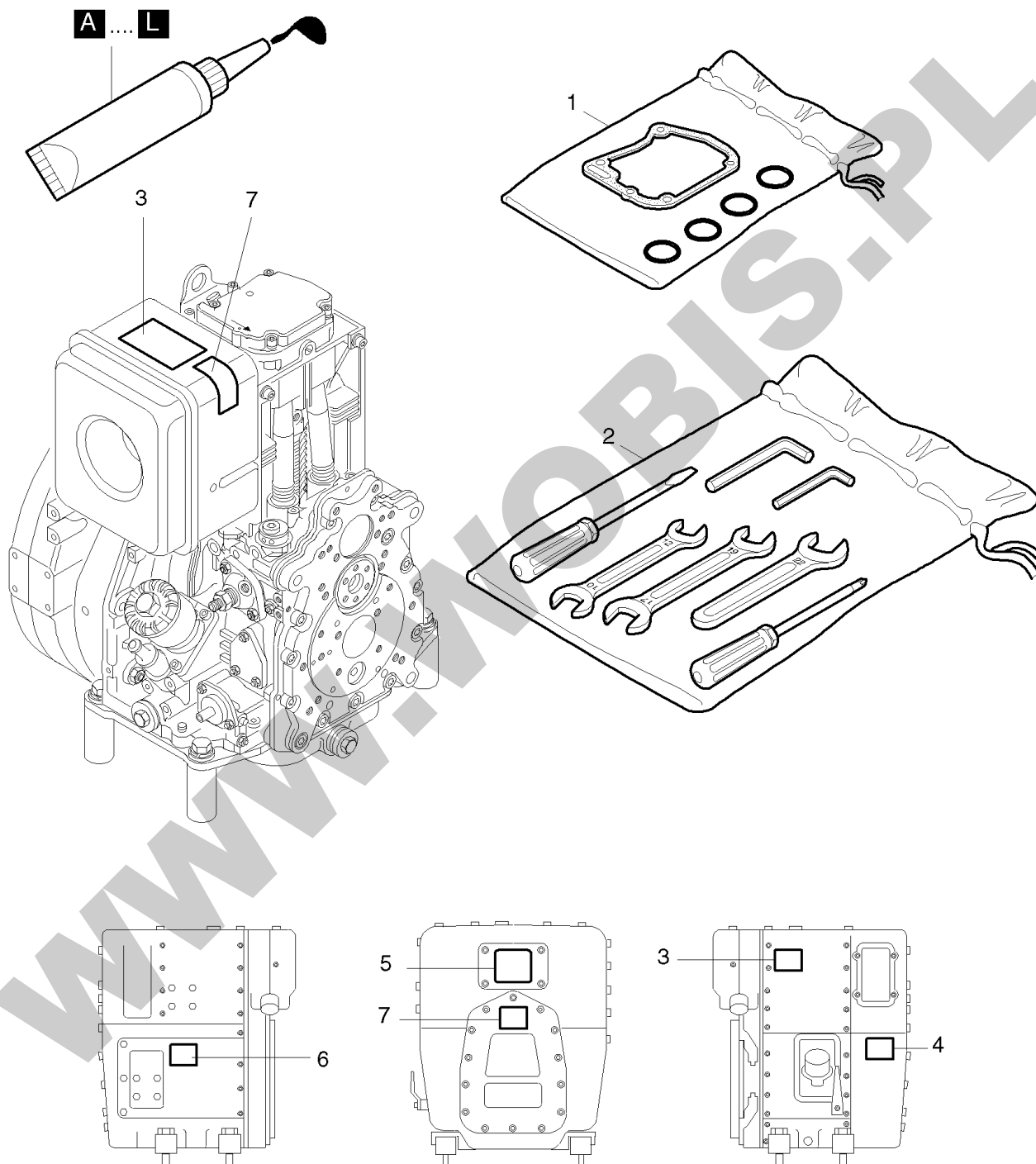
M



A



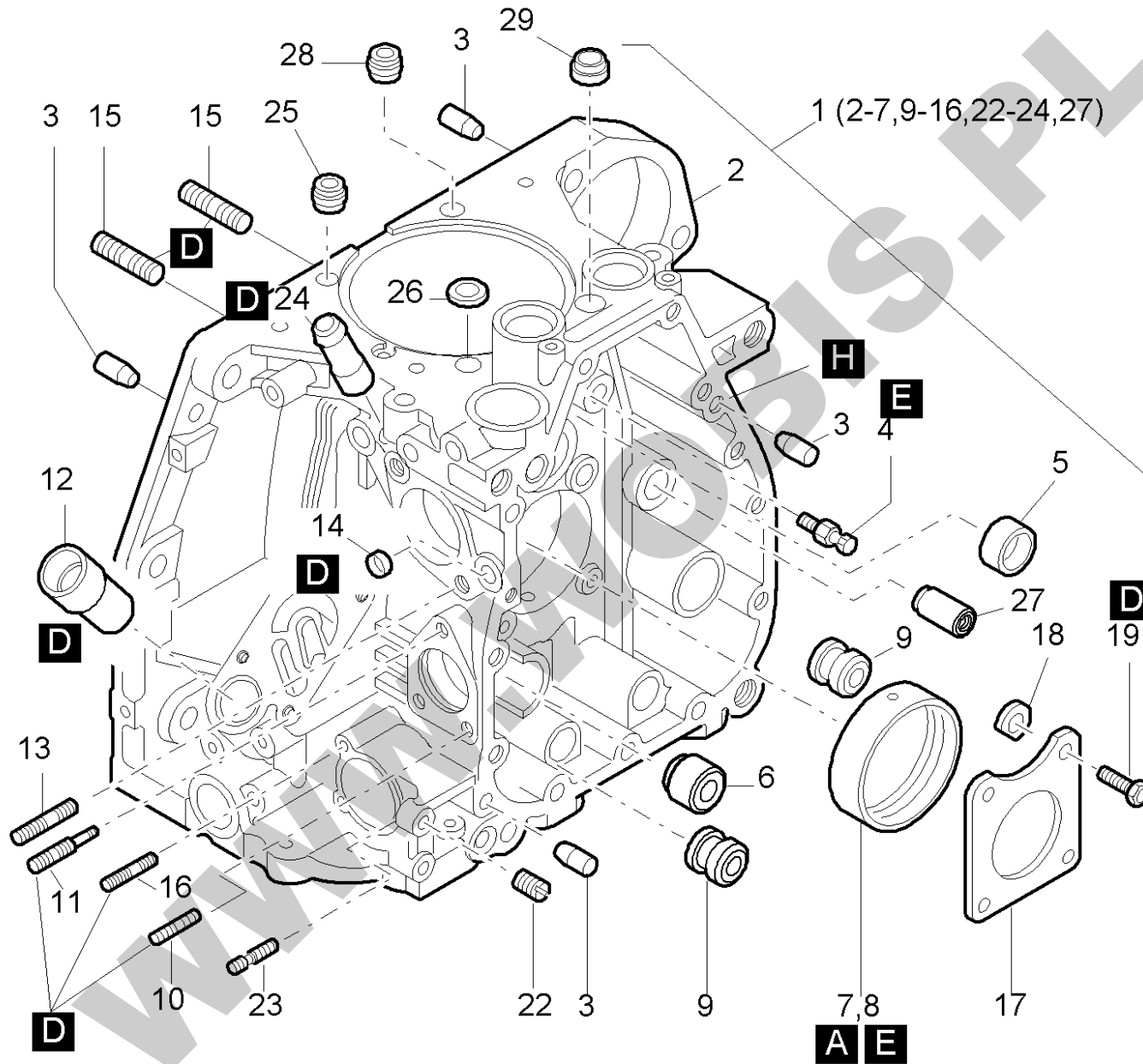




**ORYGINALNE CZĘŚCI ZAMIENNE SERWIS GWARANCYJNY I POGWARANCYJNY WYMIARY
SERWISOWE ORAZ KATALOGI CZĘŚCI ZAMIENNYCH NA STRONIE WWW.WOBIS.PL/SERWIS**

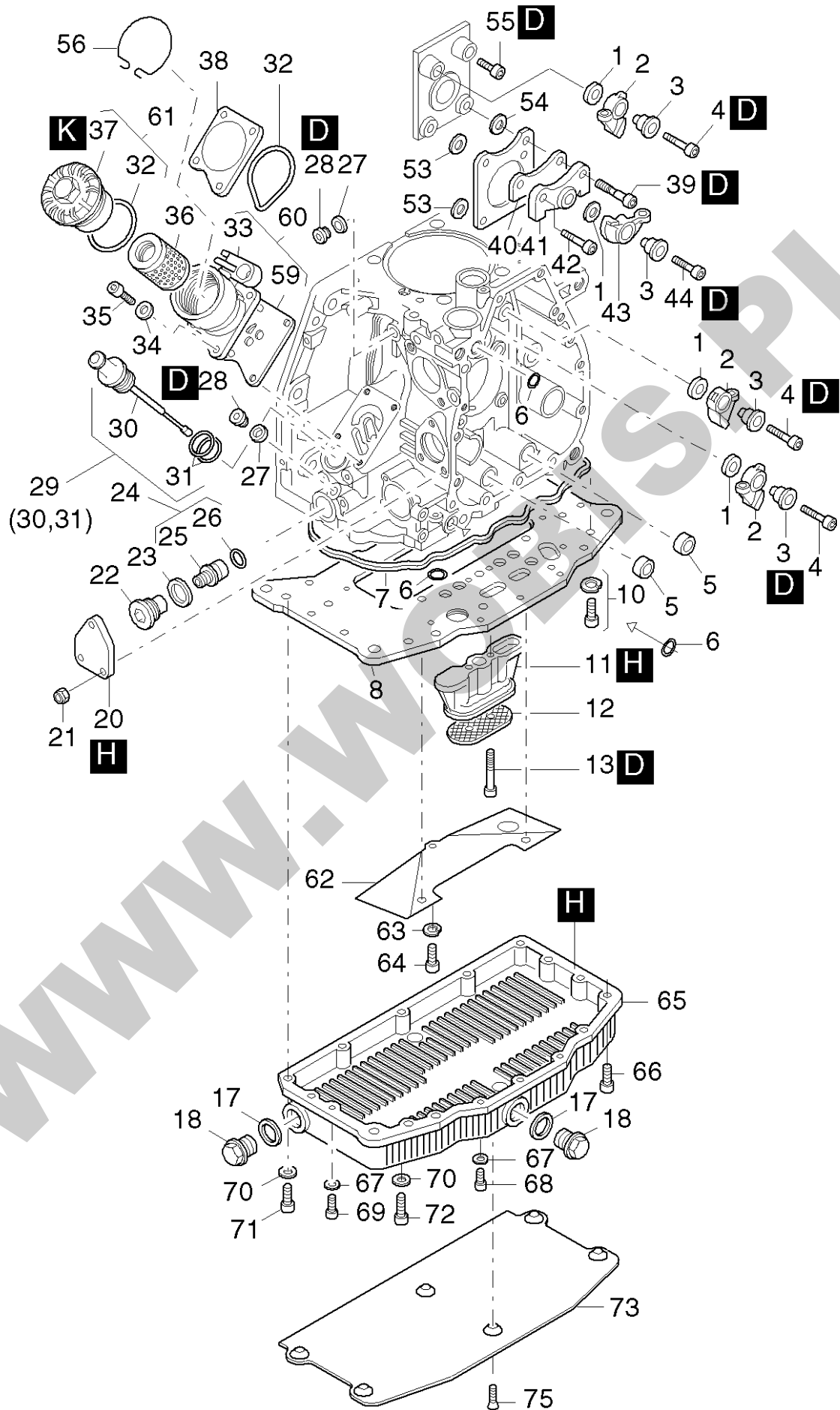
Pos.	Part no.	Description	Qty.	Notice	Add. notice	kg	EA	TA	DA	dDPW	List price
1	01247512	ACCESSORIES KIT	1	Zubehörsatz - Accessories kit		0,019	1	11	1		17,199
2	01247600	TOOL SET D30/81	1			0,550	1	11	1		73,619
3	04048301	STICKER LABEL	1			0,003	9	11	0		10,3285
4	_nopart	Not in this engine	-								
5	_nopart	Not in this engine	-								
6	_nopart	Not in this engine	-								
7	05025200	STICKER CR-START	1	Handstart, demarr. man.		0,001	1	21	1		8,1445
A	50223001	LOCTITE ACTIVATOR N	1	500 ML DIN 7649		0,580	4	12	0		270,7705
B	50223101	LOCTITE 574	1	50 ML		0,088	4	12	0		99,0535
C	50223200	LOCTITE 601	1	50 ML		0,079	4	12	0		99,0535
D	50223300	LOCTITE 221	1	50 ML		0,077	4	12	0		99,0535
E	50223400	LOCTITE 648	1	10 ML		0,021	4	12	0		38,6295
F	50223900	TECHNICOLL CLEANER	1	750 GR		0,870	4	12	0		101,2375
F	50223800	TECHNICL.ADHES.8058	1	750 GR		0,875	4	12	0		132,8145
G	50256501	LOCTITE IS 407	1	20 ML		0,033	4	12	0		52,143
H	50282501	SILICON SEALER	1	30ML 1207		0,055	4	12	1		48,23
J	50283004	HIGH TEMP.PASTE	1			0,110	4	12	0		71,617
K	50342600	GREASE START.DEVICE	1	100 GRAMM part was replaced by 50342601		0,100	0	12	0		
L	50256600	SILICON SEALER	1			0,130	4	12	0		193,4205
M	50485100	GRINDING PASTE 80ML	1			0,113	4	12	1		96,5055

**ORYGINALNE CZĘŚCI ZAMIENNE SERWIS GWARANCYJNY I POGWARANCYJNY WYMIARY
SERWISOWE ORAZ KATALOGI CZĘŚCI ZAMIENNYCH NA STRONIE WWW.WOBIS.PL/SERWIS**



**ORYGINALNE CZĘŚCI ZAMIENNE SERWIS GWARANCYJNY I POGWARANCYJNY WYMIARY
SERWISOWE ORAZ KATALOGI CZĘŚCI ZAMIENNYCH NA STRONIE WWW.WOBIS.PL/SERWIS**

Pos.	Part no.	Description	Qty.	Notice	Add. notice	kg	EA	TA	DA	dDPW	List price
1	01644900	CRANKCASE 1D50	1	1D50		7,700	1	12	1		2826,46
2	_noorder	No single order	-								
3	50249101	CYL.PIN 8M 6 X 20	4	8 M 6 x 20 DIN 6325 2-Fasen		0,005	9	11	7		3,9585
4	04022602	NOZZLE	1			0,004	1	11	1		17,1535
5	03793800	BEARING BUSH	1			0,009	1	11	1		37,128
6	04022700	PLUG	0... 1	ø 25 mm		0,025	1	11	1		14,8785
7	04022500	MAIN BEARING	1			0,058	4	11	1		107,744
8	04048800	MAIN BEARING 0,5-	1	- 0,5 mm		0,100	4	14	1		150,1955
9	04023600	PLUG	1... 2	ø 25 mm		0,020	1	11	1		14,8785
10	50144300	STUD M 6X 16	2	M 6 x 16 DIN 835 - 8.8 A3C		0,005	4	11	1		3,9585
11	03794510	STUD	1			0,007	1	11	1		14,1505
12	03794800	INTERMEDIATE PIECE	1			0,050	1	11	1		26,7085
13	50098300	STUD M8X20	2	M 8 x 20 DIN 835-8.8 A3C		0,009	4	11	1		5,3235
14	50325500	COVER 10	1	10 DIN 443-St A3C		0,001	4	11	1		1,4105
15	50037600	STUD M 8X 20	8	M 8 x 20 DIN 835 - 10.9		0,012	4	11	0		3,003
16	50328200	STUD M6X22	2	M 6 x 22 DIN 835 - 8.8 A3C		0,006	4	11	1		4,8685
17	04011651	THRUST PLATE	1	BEF. SCHR. M 9		0,140	1	11	1		95,2315
18	04069500	SHIM 1,05	0... 4	1,05 mm		0,001	1	11	1		3,185
18	04069600	SHIM 1,2	0... 4	1,20 mm		0,002	1	11	1		3,185
19	04062010	HEXSCREW M9 X 28	4	M 9 x28		0,017	1	11	1		9,191
22	_noorder	No single order	-								
23	04087400	STUD M 6 X 22	1	M 6 x 22 A3C part was replaced by 50328200		0,005	0	11	7		
24	_noorder	No single order	-								
25	50458400	GASKET	2			0,002	4	11	1	d2	6,8705
26	04150300	RECT.RING 14X10X3,5	2	14 x 10 x 3,5		0,001	1	11	5	d2	9,3275
27	04105000	PLUG 15MM	1	ø 15 mm		0,010	1	11	1		10,7835
28	_nopart	Not in this engine	-								
29	_nopart	Not in this engine	-								
A	50223001	LOCTITE ACTIVATOR N	1	500 ML DIN 7649		0,580	4	12	0		270,7705

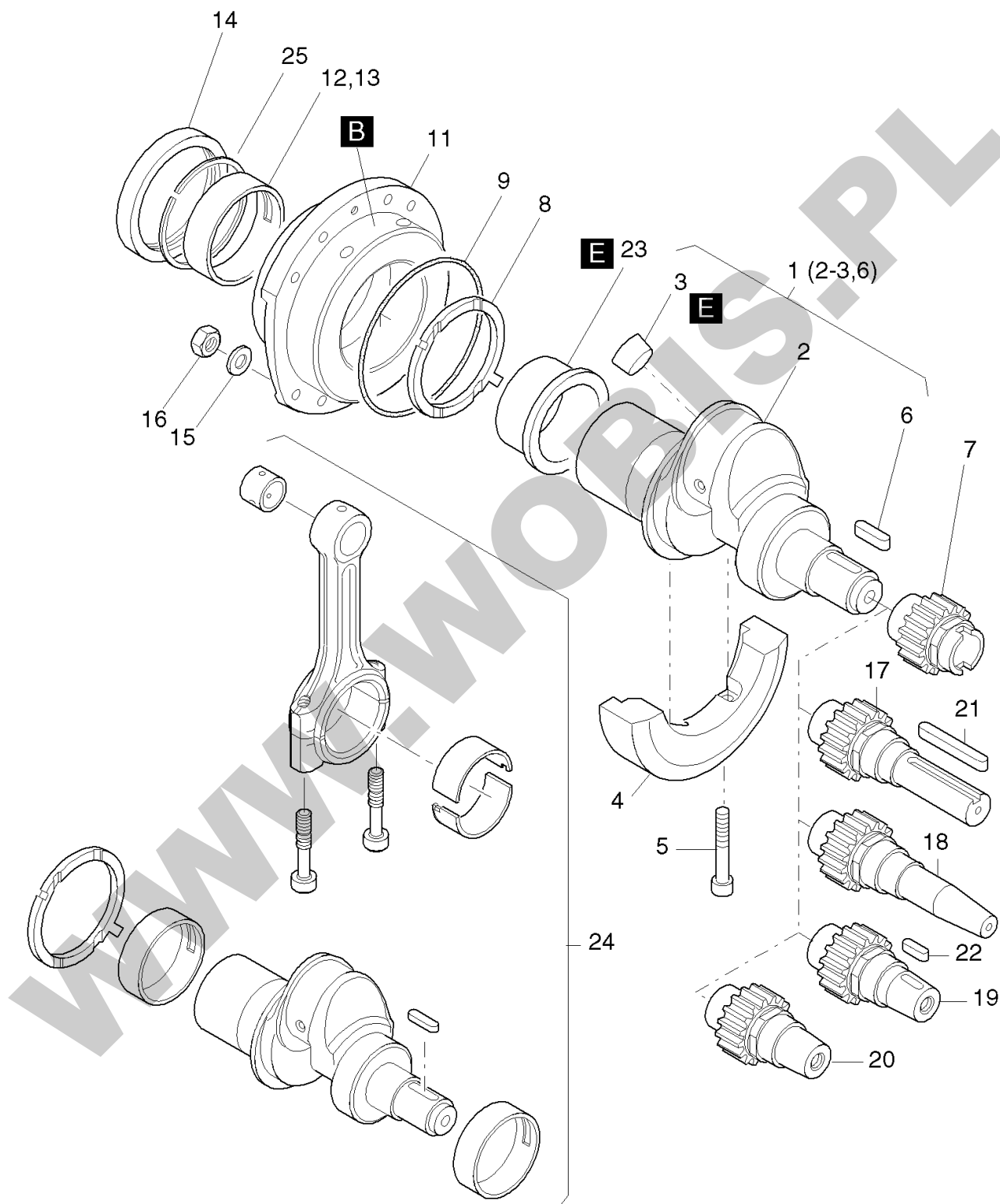


**ORYGINALNE CZĘŚCI ZAMIENNE SERWIS GWARANCYJNY I POGWARANCYJNY WYMIARY
SERWISOWE ORAZ KATALOGI CZĘŚCI ZAMIENNYCH NA STRONIE WWW.WOBIS.PL/SERWIS**

Pos.	Part no.	Description	Qty.	Notice	Add. notice	kg	EA	TA	DA	dDPW	List price
1	03794100	WASHER	2	10,1 x 22 x 3		0,006	1	11	1		10,4195
2	03794300	CAM FOLLOWER	2			0,040	1	11	1		166,621
3	03794201	CAM FOLLOW SPINDLE	2			0,018	1	11	1		40,3585
4	50170800	ALL.SCR.M 6X 25	2	M 6 x 25 DIN 912 - 8.8 A3C		0,008	4	11	1		1,8655
5	03795800	O-RING 12X18,3X7,3	2	12 x 18,3 x 7,3		0,002	1	11	1	D2	12,8765
6	50329000	O-RING 9,5X2,5	3	9,5 x 2,5		0,001	4	11	1	D3	2,912
7	03795100	O-RING265X269,4X3,6	1	265 x 269,4 x 3,6		0,013	1	11	1	D1	82,7645
8	01644500	PLATE	1			2,500	1	12	1		441,441
10	50417600	ALL.SCR. M 8X25 Z4	12	M 8 x 25 Z4 DIN 912-8.8 A3C		0,015	4	11	1		3,0485
11	04023300	HOUSING	1			0,110	1	11	1		46,1825
12	03795000	SUCTION SIEVE	1			0,010	1	11	1		14,6965
13	50051100	ALL.SCR.M 6X 30	2	M 6 x 30 DIN 6912-8.8		0,007	4	11	1		2,6845
17	50459100	JOINT A22 X27	2	A 22 x 27 DIN 7603-AI		0,006	4	11	1	D2,W4	1,4105
18	50373100	DRAIN PLG.MAGNT.M22	2	AM22x1,5DIN7604A3C MAGN.		0,038	4	11	1	W1	29,575
18	50140400	DRAIN PLUG M 22X1,5	2	AM22x1,5DIN7604-5.8A3C		0,037	4	11	1		7,462
20	03794700	COVER	1			0,118	9	11	0		10,8745
21	50328300	HEXAGON NUT VM6	3	VM 6 DIN 980-8 A3C		0,002	4	11	1		1,4105
22	01321200	CLOS.SCREW + SIEVE	1	M 24 x 1,5		0,052	1	11	1		39,039
23	50286400	JOINT A24X29	1	A 24 x 29 DIN 7603-Cu		0,003	4	11	1	D1	4,5955
24	01321100	OIL RELIEF VALVE	1			0,028	1	11	1		80,8535
25	_noorder	No single order	-								
26	50460400	O-RING 18 X 2	1	18 x 2		0,001	4	11	1	D1	2,912
27	50062400	JOINT A10 X13,5	2	A 10 x 13,5 DIN 7603-Cu		0,001	4	11	1	D2	0,364
28	50062300	CLOS.SCREW M10X1	2	M 10 x 1 DIN 908-5.8 A3C		0,005	4	11	1		4,3225
29	01255200	DIPSTICK	1			0,030	1	11	1		37,128
30	_noorder	No single order	-								
31	50359700	O-RING 20,29X2,62	2	20,29 x 2,62		0,001	4	11	1	D2	6,643
32	50329200	RECTANG.RNG.50X55X3	2	50 x 55 x 3		0,002	4	11	1	D2,W1	11,4205
33	_noorder	No single order	-								
34	50081200	SPRING WASHER A 6	4	A 6 DIN 137 - A3C		0,001	4	11	1		0,455

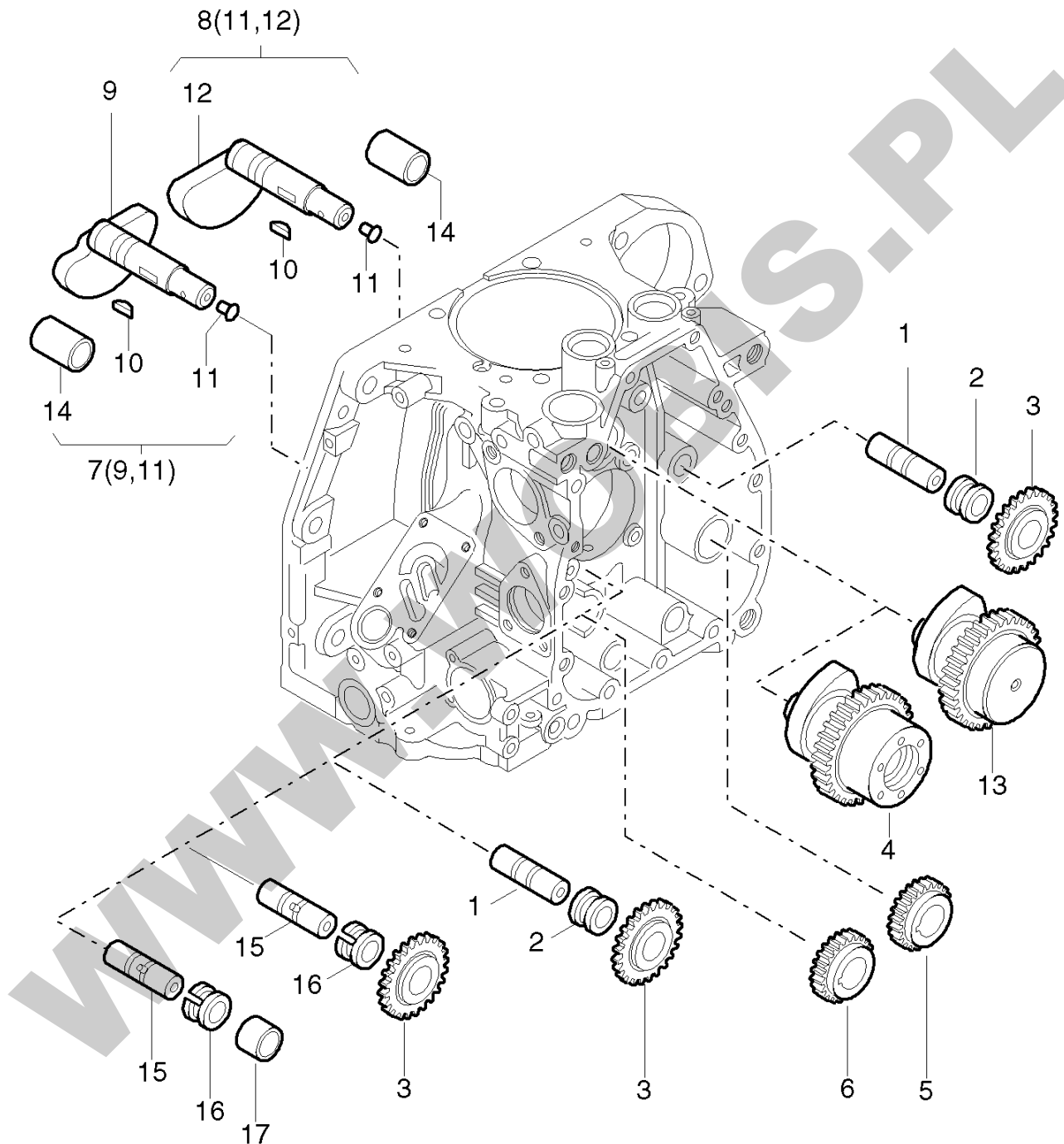
**ORYGINALNE CZĘŚCI ZAMIENNE SERWIS GWARANCYJNY I POGWARANCYJNY WYMIARY
SERWISOWE ORAZ KATALOGI CZĘŚCI ZAMIENNYCH NA STRONIE WWW.WOBIS.PL/SERWIS**

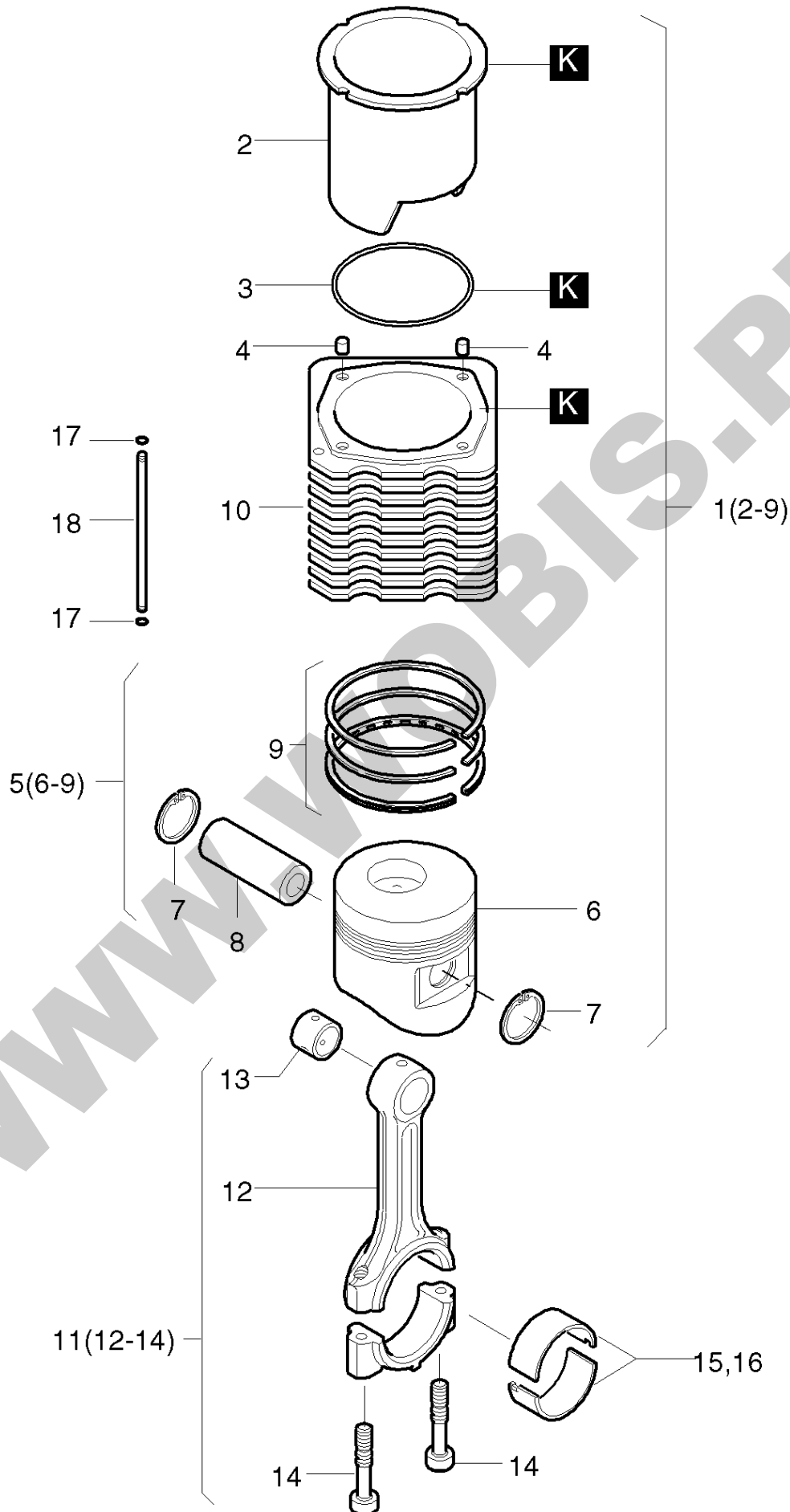
Pos.	Part no.	Description	Qty.	Notice	Add. notice	kg	EA	TA	DA	dDPW	List price
35	50170600	ALL.SCR.M 6X 20	4	M 6 x 20 DIN 912-8.8 A3C		0,007	4	11	1		1,729
36	01480000	OILFILT.ELEM.1D....	1			0,060	4	12	1	W4	27,5275
37	_noorder	No single order	-								
38	04033401	COVER	1			0,105	1	11	1		38,9025
39	04053210	SET SCREW M 9	1			0,020	9	11	0		36,4455
40	04036920	PLATE	1	part was replaced by 04036921		0,000	0	11	7		
41	04024220	CAM FOLLOWER BRACK.	1	part was replaced by 04024221		0,000	0	11	7		
42	04062110	ALL.SCR.M 9X36	1	M 9 x 36		0,015	0	11	0		
43	04024301	CAM FOLLOWER T/U	1			0,040	9	11	0		260,988
44	50457900	ALL.SCR. M 6X 25	1	M 6 x 25 DIN 912 - 10.9		0,007	4	11	1		1,4105
53	04069500	SHIM 1,05	3	1,05 mm		0,001	1	11	1		3,185
53	04069600	SHIM 1,2	3	1,20 mm		0,002	1	11	1		3,185
54	04069800	SHIM 1,05	1	1,05 mm		0,001	9	11	0		3,4125
54	04069900	SHIM 1,20	1	1,20 mm		0,002	9	11	0		3,4125
55	04065400	ALL.SCR. M 6 X 12	1	M 6 X 12 part was replaced by 04065401		0,000	0	11	7		
56	04084000	LIFTING SPRING	1	part was replaced by 04084001		0,000	0	21	7		
59	05068900	GASKET	1			0,006	1	21	1	D1	9,828
60	01318300	LUB.OIL FILT.HOUSG.	1			0,281	1	22	1		128,9925
61	01248901	COVER F.OILFILTER	1			0,102	1	22	1		77,1225
62	04134600	SPLASH DEFLECTOR	1			0,642	1	11	1		31,577
63	50170900	SPRING WASHER 6	1	6 DIN 128 - A3C		0,001	4	11	1		0,455
64	50329100	ALL.SCR.M 6X10	1	M 6x10 DIN 912-8.8 Inbus Plus		0,005	4	11	1		2,5935
65	04134110	OIL SUMP	1			1,583	1	11	1		517,1985
66	50417400	ALL.SCREW M 8X30 Z3	7	M 8 x 30 DIN 912-8.8 A3C/6900		0,017	4	11	1		3,367
67	50144500	FLAT WASHER 6,4	4	6,4 DIN 125-St A3C		0,001	4	11	1		0,455
68	50459700	ALL.SCR.M 6X 25	3	M 6 x 25 DIN 912-8.8 A3C Tuf.		0,007	0	11	1		
69	50474200	ALL.SCR. M 6X 16	1	M6x16 DIN912-8.8 A3C Tuf.360		0,006	4	11	1		4,3225
70	50422400	SHIM 8X14X1	5	8 x 14 x 1,0 DIN 988		0,001	4	11	1		1,092
71	50175900	ALL.SCR.M 8X 30	4	M 8 x 30 DIN 912-8.8 A3C		0,017	4	11	1		2,6845



**ORYGINALNE CZĘŚCI ZAMIENNE SERWIS GWARANCYJNY I POGWARANCYJNY WYMIARY
SERWISOWE ORAZ KATALOGI CZĘŚCI ZAMIENNYCH NA STRONIE WWW.WOBIS.PL/SERWIS**

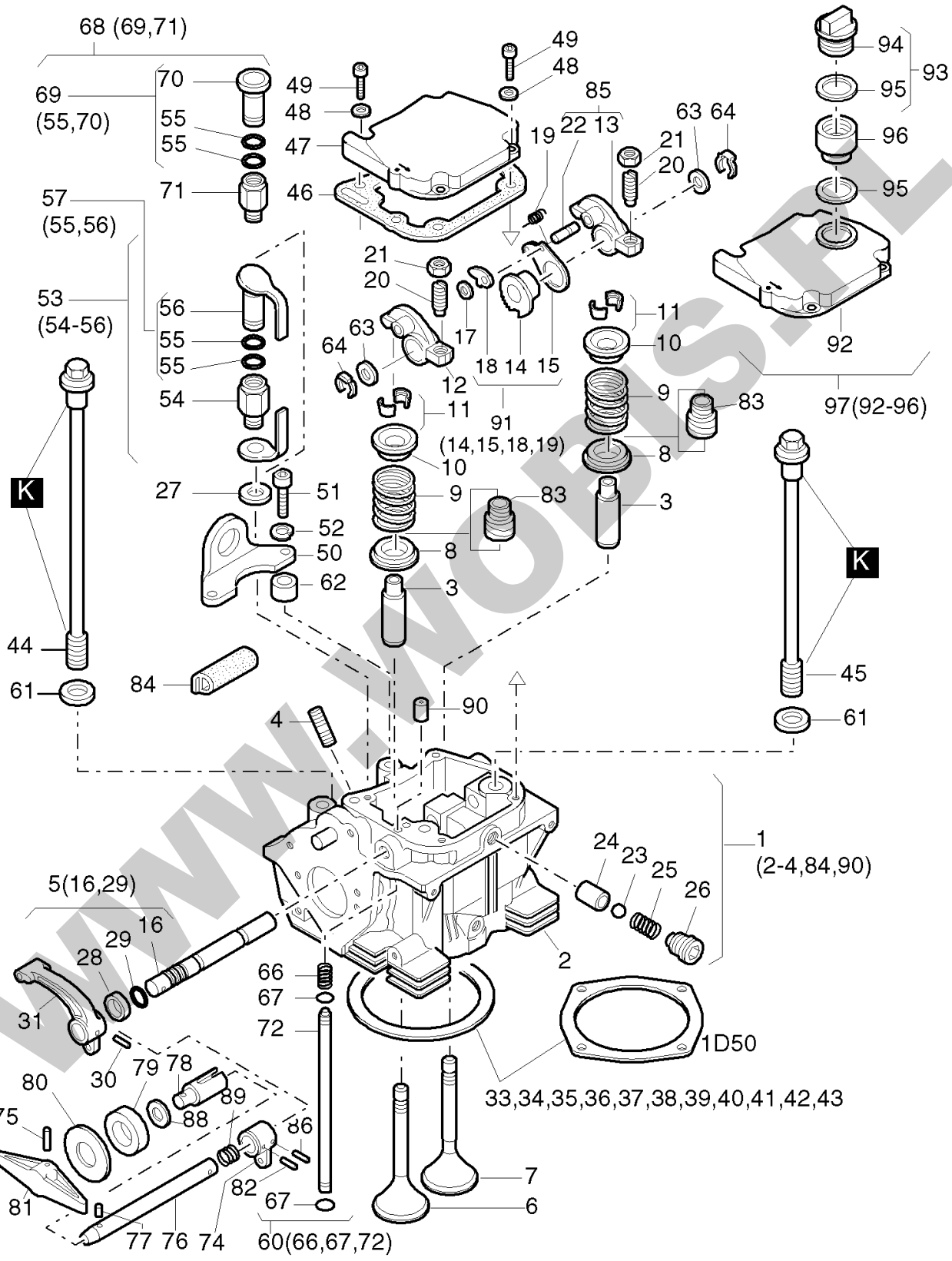
Pos.	Part no.	Description	Qty.	Notice	Add. notice	kg	EA	TA	DA	dDPW	List price
1	01337200	CRANKSHAFT 1D50	1	part was replaced by 01337210		0,000	0	11	7		
2	_noorder	No single order	-								
3	50345800	COVER 22	1	22 DIN 443		0,010	4	11	1		7,189
4	04134800	COUNTER WEIGHT	1	part was replaced by 04023502		0,535	0	11	7		
5	50127900	ALL.SCR. M 8X 40	2	M 8 x 40 DIN 912 - 10.9		0,019	4	11	0		
6	50362600	FITTINGKEY A 6X4X32	1	A 6 x 4 x 32 DIN 6885 St 60		0,006	4	11	1		2,6845
7	03796120	GEARWHEEL F. CRANKS	1			0,225	1	11	1		455,5005
8	04024600	BUFFER RING	1			0,012	1	11	1		73,528
9	50349700	O-RING 100X2,5	1	100 x 2,5		0,002	4	11	1	D1	13,468
11	04136300	BEARING FLANGE	1			2,381	1	11	1		492,401
12	04024500	MAIN BEARING	1			0,062	4	11	1		116,8895
13	04048700	MAIN BEARING 0,5-	1	- 0,5 mm		0,100	4	14	1		132,8145
14	50368101	OIL SEAL 52 X80 X10	1	52 x 80 x 10 part was replaced by 50368102		0,041	0	11	7	D1	
15	50413600	WASHER 8,4	8	8,4 300 HV DIN 125A-A3C		0,001	4	11	1		1,092
16	50364300	HEXAGON NUT M 8	8	M 8 DIN 934 - 10.9 A3C		0,005	4	11	1		1,729
17	04023120	STUBSHAFT SAE CYL.	1	SAE ...2 ø 1" zyl., cyl.		0,666	1	11	1		619,2095
18	01485500	STUBSHAFT SAE TAPER	1	SAE ...4 ø 1" keg.		0,700	1	11	1		606,1965
19	04022910	STUBSHAFT ITALIA	1	ITAL. ...3 ø 30 mm tap.		0,445	1	11	1		855,8095
20	05033200	STUB SHAFT ITAL. 23	1	ITAL. ...6 ø 23 mm con.		0,400	1	11	1		603,876
21	05141600	FITTINGKEY 6,35X61	1	A 6,35 x 61		0,018	1	11	1		6,279
22	50017800	WOODRUFF KEY 4X6,5	1	4 x 6,5 DIN 6888		0,003	4	11	1		1,729
23	_nopart	Not in this engine	-								
24	_nopart	Not in this engine	-								
25	50458000	CIRCLIP SB 60	1	SB 60		0,005	4	11	1		3,367
B	50223101	LOCTITE 574		50 ML		0,088	4	12	0		99,0535
E	50223400	LOCTITE 648	1	10 ML		0,021	4	12	0		38,6295





**ORYGINALNE CZĘŚCI ZAMIENNE SERWIS GWARANCYJNY I POGWARANCYJNY WYMIARY
SERWISOWE ORAZ KATALOGI CZĘŚCI ZAMIENNYCH NA STRONIE WWW.WOBIS.PL/SERWIS**

Pos.	Part no.	Description	Qty.	Notice	Add. notice	kg	EA	TA	DA	dDPW	List price
1	01644400	CYL.SLEEVE + PISTON	1	part was replaced by 01644401		0,000	0	12	7		
2	_noorder	No single order	-								
3	50482400	O-RING 103X1,5	1	103 x 1,5		0,002	4	11	1		18,0635
4	04134900	BUSH 10,5X12,5X15	2	10,5 x 12,5 x 15		0,004	1	11	1		6,6885
5	01336801	PISTON 97 EPA	1	part was replaced by 01336802		0,000	0	11	7		
6	_noorder	No single order	-								
7	50381210	CIRCLIP 25 X 1,2	2	A 25 x 1,2		0,001	4	13	1		6,643
8	50481300	GUDGEON PIN 25-68	1	25 x 12 x 68		0,200	4	13	1		107,653
9	01336900	PISTON RING SET 97	1	97 mm		0,007	4	14	1		170,625
10	01644300	CYLINDER JACKET	1	part was replaced by 01644310		0,000	0	12	7		
11	01258302	CONROD	1			0,590	1	11	1		701,5645
12	_noorder	No single order	-								
13	04065600	BUSH FOR CONROD	1			0,015	4	12	1		57,4665
14	04100500	CONROD SCREW	2			0,025	1	11	1		18,473
15	04026500	BIG END BEARING	1			0,035	4	11	1		37,0825
16	04065700	BIG END BEAR.0,5-	1	- 0,5 mm		0,040	4	14	1		74,1195
17	50330100	O-RING 4X 1,2	2	4 x 1,2		0,001	4	11	1	d2	1,001
18	04135000	OIL PRESSURE PIPE	1	part was replaced by 01655700		0,012	0	11	1		
K	50342600	GREASE START.DEVICE	1	100 GRAMM part was replaced by 50342601		0,100	0	12	0		



**ORYGINALNE CZĘŚCI ZAMIENNE SERWIS GWARANCYJNY I POGWARANCYJNY WYMIARY
SERWISOWE ORAZ KATALOGI CZĘŚCI ZAMIENNYCH NA STRONIE WWW.WOBIS.PL/SERWIS**

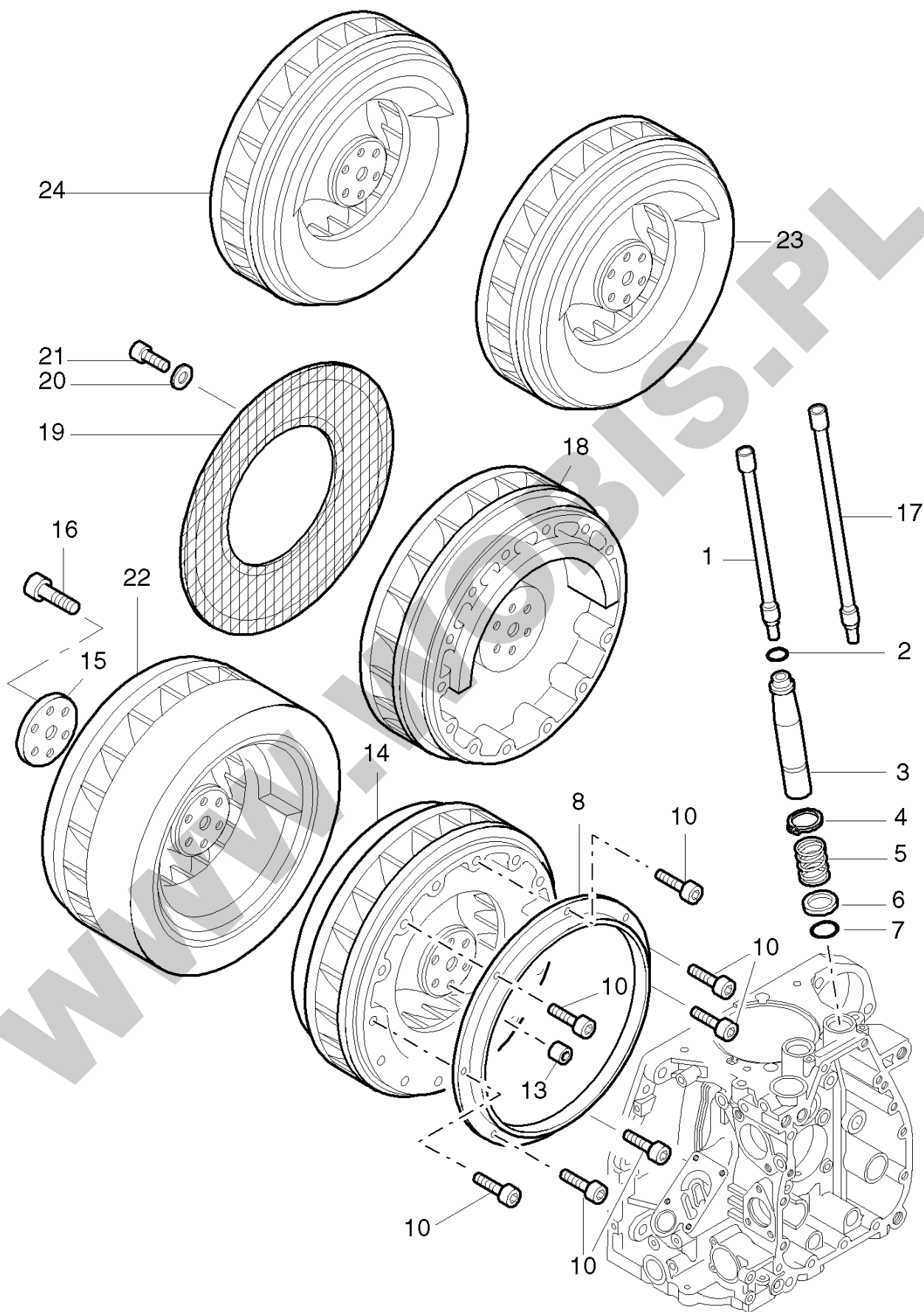
Pos.	Part no.	Description	Qty.	Notice	Add. notice	kg	EA	TA	DA	dDPW	List price
1	01644600	CYLIND.HEAD 1 D50	1	part was replaced by 01644610		3,147	9	12	0		
2	_noorder	No single order	-								
3	04137500	VALVE GUIDE	2			0,024	4	12	1		71,8445
4	50279200	STUD M 8X 40	1	M 8 x 40 DIN 835-8.8 A3C		0,019	4	11	1		3,8675
5	01290920	ROCKER SHAFT D31/41	1			0,110	1	11	1		207,7985
6	04090000	VALVE INLET	1			0,085	4	11	1		62,6535
7	04090100	VALVE EXHAUST	1			0,058	4	11	1		78,3965
8	04005201	WASHER	2			0,015	1	11	1		17,1535
9	04029300	VALVE SPRING	2			0,026	1	11	1		17,5175
10	04029201	CUP	2			0,020	1	11	1		32,669
11	03171910	COLLET	2			0,002	1	11	1		13,5135
12	04003710	ROCKER INLET	1			0,055	1	11	1		177,996
13	_noorder	No single order	-								
14	_noorder	No single order	-								
15	03778401	SPRING SHEET	1			0,002	1	11	1		2,821
16	_noorder	No single order	-								
17	50117200	CIRCLIP	1	RA 4ME DIN 6799		0,001	4	11	1		0,455
18	03365710	RATCHET F.DECOMPR.	1			0,004	1	11	1		30,303
19	03366001	SPRING	1			0,001	1	11	1		5,5965
20	03783000	ADJUSTING SCREW	2			0,008	1	11	1		18,928
21	03173100	HEXAGON NUT	2			0,004	1	11	1	W2	5,1415
22	_noorder	No single order	-								
23	50123800	BALL 7 MM G100	1	7 mm III DIN 5401		0,001	4	11	1		2,002
24	04004700	BUSH	1			0,016	1	11	1		45,864
25	04004800	PRESSURE SPRING	1			0,003	1	11	1		3,6855
26	01245200	ADJUSTING SCREW	1			0,005	1	11	1		32,214
27	50001100	JOINT A12 X15,5	1	A 12 x 15,5 DIN 7603-Cu		0,001	4	11	1	D2	0,7735
28	_nopart	Not in this engine	-								
29	40022401	O-RING 8 X 2 GRAY	1	8 x 2 FPM 75 MOLYKOT.		0,002	4	11	1	d2	1,911
30	50034700	PIN 4 X22	1	4 x 22 ISO 8752-ST		0,002	4	11	1		1,4105

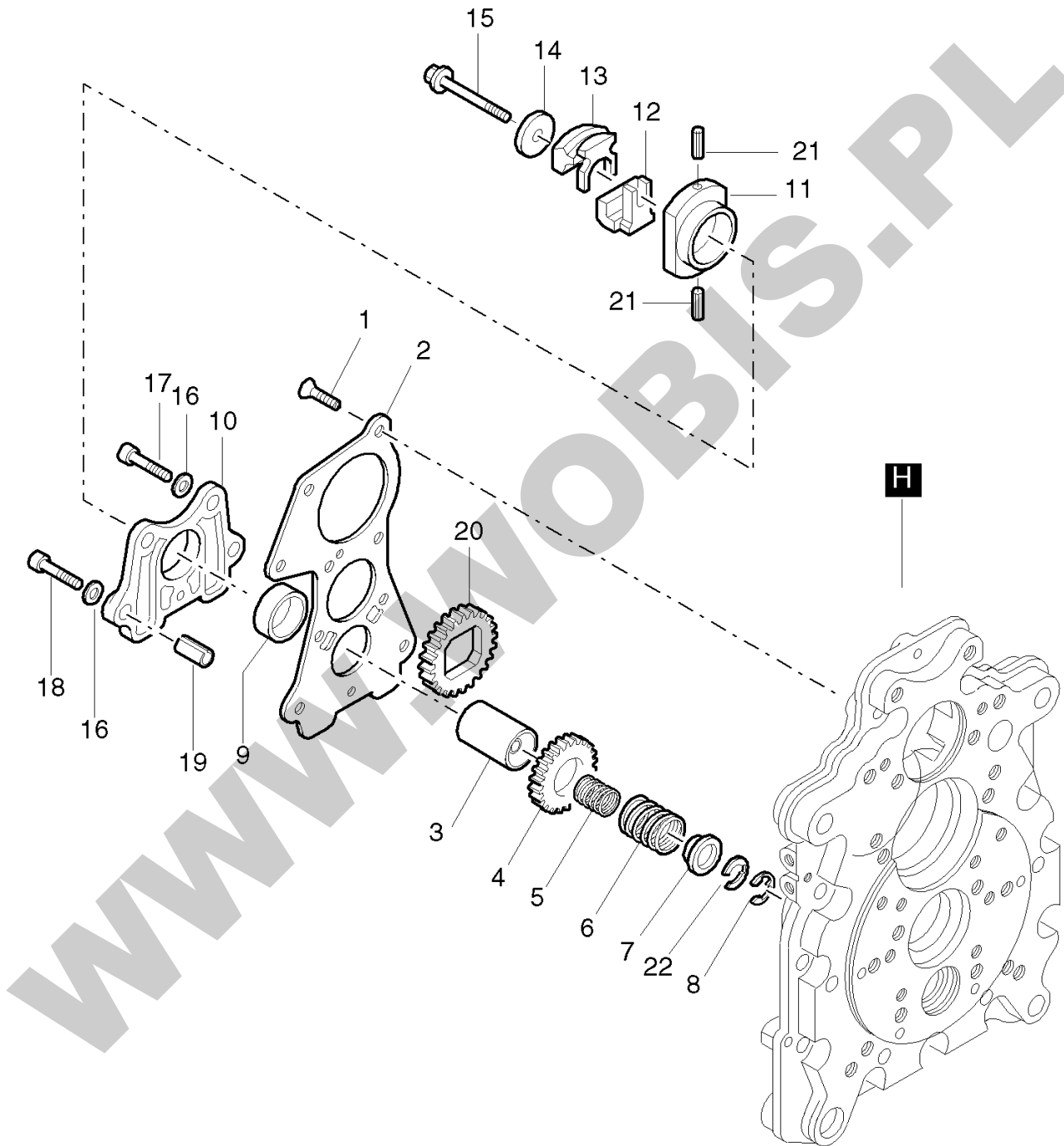
**ORYGINALNE CZĘŚCI ZAMIENNE SERWIS GWARANCYJNY I POGWARANCYJNY WYMIARY
SERWISOWE ORAZ KATALOGI CZĘŚCI ZAMIENNYCH NA STRONIE WWW.WOBIS.PL/SERWIS**

Pos.	Part no.	Description	Qty.	Notice	Add. notice	kg	EA	TA	DA	dDPW	List price
31	04009810	HANDLE	1			0,015	1	11	1		9,6005
33	_nopart	Not in this engine	-								
34	_nopart	Not in this engine	-								
35	04135210	GASK.F.CYL.HEAD 0,5	0... 1	0,5 mm part was replaced by 04135211		0,022	0	11	7	d1	
35	04136010	GASK.CYL.HEAD 0,55	0... 1	0,55 mm		0,000	0	11	7		
36	04135310	GASK.F.CYL.HEAD 0,6	0... 1	0,6 mm		0,026	0	11	7	d1	
36	04137910	GASK.F.CYL.HEAD0,65	0... 1	0,65 mm		0,025	0	11	7		
37	04135410	GASK.F.CYL.HEAD 0,7	0... 1	0,7 mm part was replaced by 04135411		0,030	0	11	7		
37	04138010	GASK.F.CYL.HEAD0,75	0... 1	0,75 mm part was replaced by 04138011		0,000	0	11	7		
38	04138110	GASK.F.CYL.HEAD0,85	0... 1	0,85 mm part was replaced by 04138111		0,000	0	11	7		
38	04135510	GASK.F.CYL.HEAD 0,8	0... 1	0,8 mm part was replaced by 04135511		0,000	0	11	7		
39	04135610	GASK.F.CYL.HEAD 0,9	0... 1	0,9 mm part was replaced by 04135611		0,000	0	11	7		
39	04138210	GASK.F.CYL.HEAD0,95	0... 1	0,95 mm part was replaced by 04138211		0,000	0	11	7		
40	04138310	GASK.F.CYL.HEAD1,05	0... 1	1,05 mm part was replaced by 04138311		0,000	0	11	7		
40	04135710	GASK.F.CYL.HEAD 1,0	0... 1	1,0 mm part was replaced by 04135711		0,000	0	11	7		
41	04135810	GASK.F.CYL.HEAD 1,1	0... 1	1,1 mm		0,000	0	11	7		
42	04135910	GASK.F.CYL.HEAD 1,2	0... 1	1,2 mm		0,000	0	11	7		
43	_nopart	Not in this engine	-								
44	04028600	CYL.HEAD SCREW251MM	2	251,5 mm		0,152	1	11	1		69,888
45	04028500	CYL.HEAD SCREW174MM	2	174 mm		0,093	1	11	1		57,694
46	04006111	GASKET	1			0,003	1	11	1	d1,W3	10,01
47	01245413	COVER CYL.HEAD	1			0,245	1	11	5		121,94
48	50081200	SPRING WASHER A 6	4	A 6 DIN 137 - A3C		0,001	4	11	1	P4	0,455
49	50170800	ALL.SCR.M 6X 25	4	M 6 x 25 DIN 912 - 8.8 A3C		0,008	4	11	1	P2	1,8655

**ORYGINALNE CZĘŚCI ZAMIENNE SERWIS GWARANCYJNY I POGWARANCYJNY WYMIARY
SERWISOWE ORAZ KATALOGI CZĘŚCI ZAMIENNYCH NA STRONIE WWW.WOBIS.PL/SERWIS**

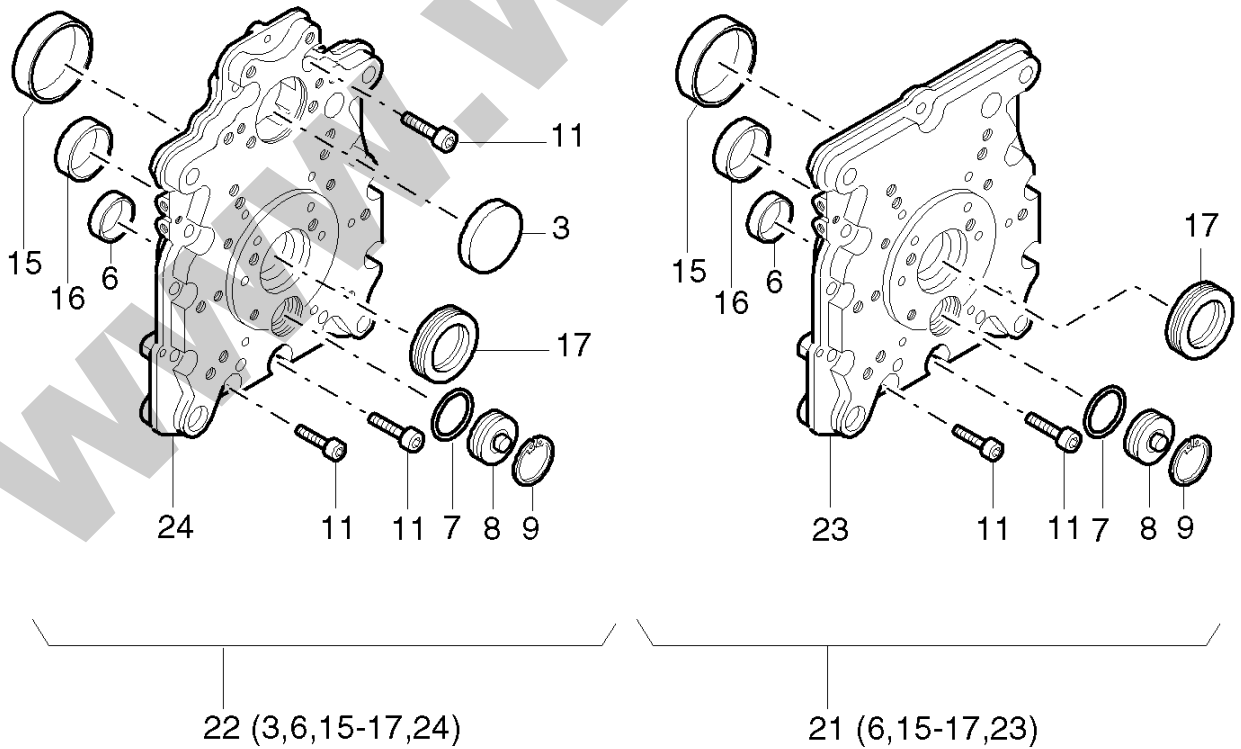
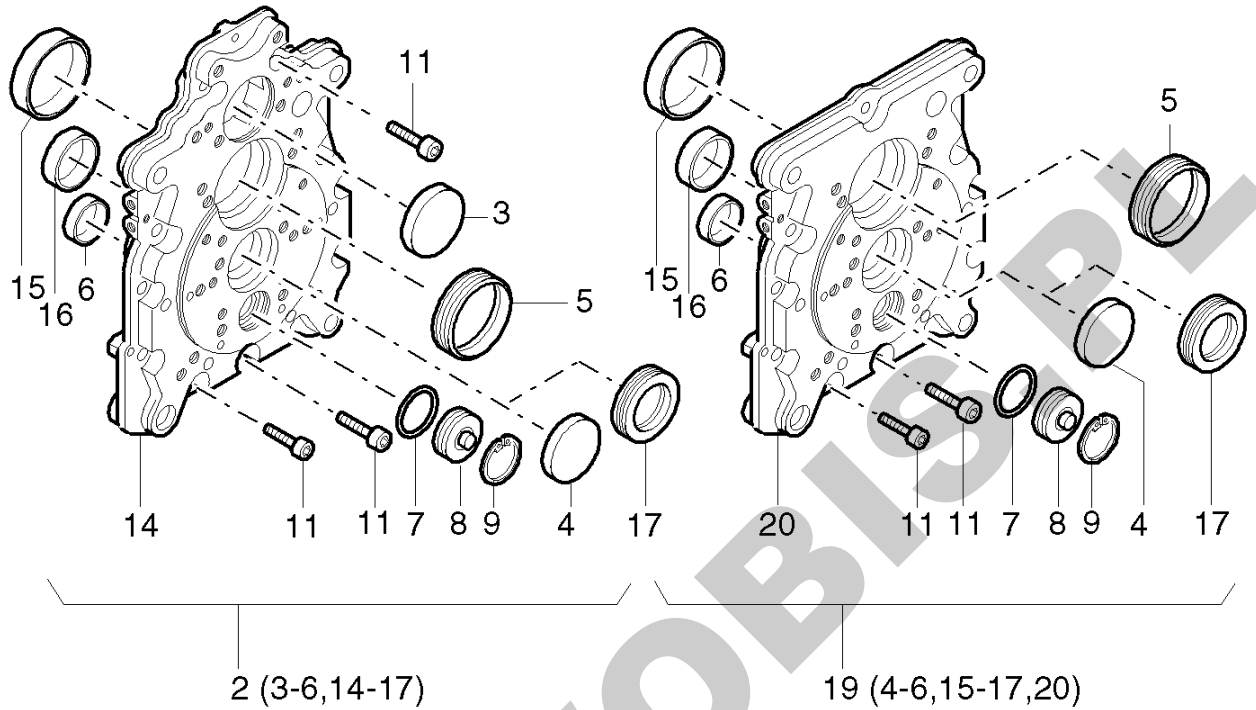
Pos.	Part no.	Description	Qty.	Notice	Add. notice	kg	EA	TA	DA	dDPW	List price
50	04008100	LIFTING BRACKET	1			0,071	1	11	1		41,496
51	50175900	ALL.SCR.M 8X 30	2	M 8 x 30 DIN 912-8.8 A3C		0,017	4	11	1		2,6845
52	50208500	SPRING WASHER 8	2	8 DIN 128 A3C		0,001	4	11	1		1,4105
53	01493200	OIL FIL.DEV."S"46MM	1		S,Z,T,U	0,080	1	12	1		53,8265
54	_noorder	No single order	-								
55	50326200	O-RING 11,3X2,4	2	11,3 x 2,4		0,001	4	11	1	d2	2,3205
56	_noorder	No single order	-								
57	01308301	CLOSG.PLUG "S"46MM	1		S,Z,T,U	0,012	1	11	1	P1	14,0595
60	01337500	OIL PRESSURE PIPE	1			0,021	1	11	1		28,756
61	03794100	WASHER	4	10,1 x 22 x 3		0,006	1	11	1		10,4195
62	04008000	BUSH 9,2X17,2X10	2	9,2 x 17,2 x 10		0,013	1	11	1		6,9615
63	03457500	DISC F.STUD	2	12,5 x 24 x 2,5		0,006	1	11	1		7,553
64	50353300	CIRCLIP KL14S	2			0,002	4	11	1		10,192
66	04004200	PRESSURE SPRING	1			0,001	1	11	1		1,7745
67	50330100	O-RING 4X 1,2	2	4 x 1,2		0,001	4	11	1	d2	1,001
68	_nopart	Not in this engine	-								
69	_nopart	Not in this engine	-								
70	_nopart	Not in this engine	-								
71	_nopart	Not in this engine	-								
72	_noorder	No single order	-								
74	_nopart	Not in this engine	-								
75	_nopart	Not in this engine	-								
76	_nopart	Not in this engine	-								
77	_nopart	Not in this engine	-								
78	_nopart	Not in this engine	-								
79	_nopart	Not in this engine	-								
80	_nopart	Not in this engine	-								
81	_nopart	Not in this engine	-								
82	_nopart	Not in this engine	-								
83	50405700	VALVE STEM SEAL CAP	2			0,002	4	11	1	d2	8,099

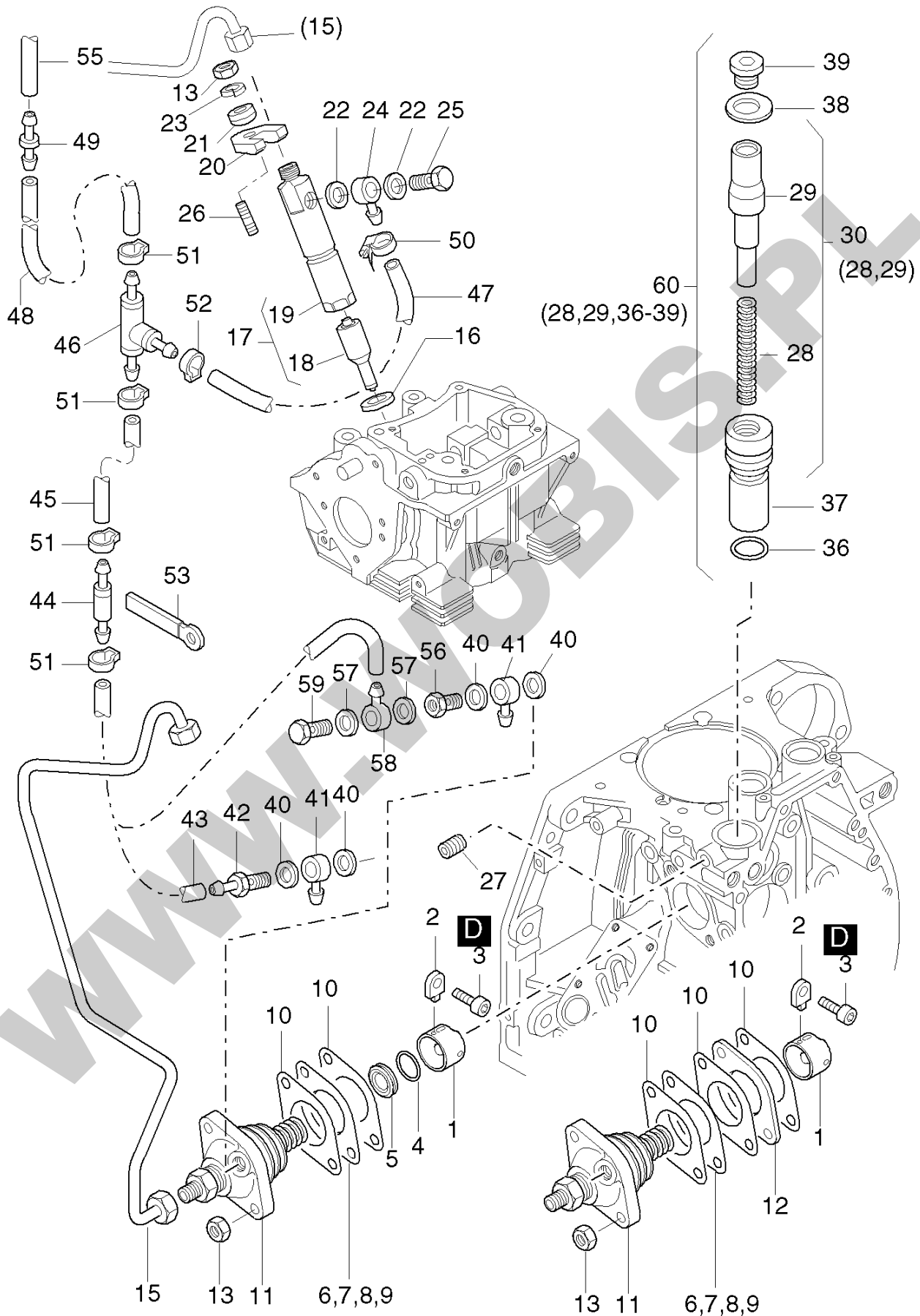




**ORYGINALNE CZĘŚCI ZAMIENNE SERWIS GWARANCYJNY I POGWARANCYJNY WYMIARY
SERWISOWE ORAZ KATALOGI CZĘŚCI ZAMIENNYCH NA STRONIE WWW.WOBIS.PL/SERWIS**

Pos.	Part no.	Description	Qty.	Notice	Add. notice	kg	EA	TA	DA	dDPW	List price
1	50328000	CTR.SUNK SCR.AM6X16	5	AM 6 x 16 17065 - 8.8 Zn		0,004	4	11	1		2,6845
2	03797412	COVER F. OIL PUMP	1			0,226	1	11	1		112,0665
3	01242401	SPRING CAPSULE+BUSH	1			0,090	1	11	1		187,9605
4	03797310	GEARWHEEL	1			0,056	1	11	1		148,5575
5	04008801	GOVERNOR SPRING 1,9	0... 1	∅ 1,9 mm 1801...2300 min-1	*	0,006	1	11	1		11,6025
5	04052900	GOVERNOR SPRING 1,7	0... 1	∅ 1,7 mm 1501...1800 min-1		0,006	1	11	1		12,649
5	04052800	GOVERNOR SPRING 1,6	0... 1	∅ 1,6 mm ... 1500 min-1		0,006	1	11	1		12,0575
6	04089600	GOVERNOR SPRING 2,8	0... 1	∅ 2,8 mm 3000 min-1 Gen.PV78		0,020	1	11	1		54,2815
6	04063400	GOVERNOR SPRING 2,8	0... 1	∅ 2,8 mm 2301...3000 min-1	*	0,016	1	11	1		20,2475
6	04070800	GOVERNOR SPRING 2,6	0... 1	∅ 2,6 mm 2301...2500 min-1		0,015	1	11	1		19,292
7	03798600	CUP	1			0,005	1	11	1		13,104
8	50334700	CIRCLIP 5	1	5 ME DIN 6799		0,001	4	11	1		0,455
9	03797600	BEARING BUSH	1			0,009	9	11	0		29,12
10	03797510	HOUSING FOR OILPUMP	1	part was replaced by 01869300		0,078	0	11	0		
11	03797701	PLATE CENTRIF.WEIGH	1			0,085	1	11	1		136,409
12	03798002	CENTRIFUGAL WEIGHT	1			0,056	1	11	1		94,549
13	03798102	CENTRIFUGAL WEIGHT	1			0,055	1	11	1		94,549
14	03797900	WASHER	1			0,008	1	11	1		24,661
15	03797801	PIN	1			0,016	1	11	1		49,049
16	50081200	SPRING WASHER A 6	5	A 6 DIN 137 - A3C		0,001	4	11	1		0,455
17	50170800	ALL.SCR.M 6X 25	3	M 6 x 25 DIN 912 - 8.8 A3C		0,008	4	11	1		1,8655
18	50051000	ALL.SCR.M 6X 30	2	M 6 x 30 DIN 912-8.8		0,009	4	11	1		1,729
19	50084901	PIN 8 X 12	2	8 x 12 DIN 7346 55 Si 7 2Fasen		0,003	4	11	1		1,4105
20	03798720	GEARWHEEL	1			0,061	1	11	1		136,955
21	50260501	ROLL PIN 2X10	2	2 x 10 ISO 8752-ST		0,001	4	11	1		1,0465
22	04046000	CIRCLIP	0... 3	0,5 mm		0,001	1	11	1		2,3205
H	50282501	SILICON SEALER	1	30ML 1207		0,055	4	12	1		48,23



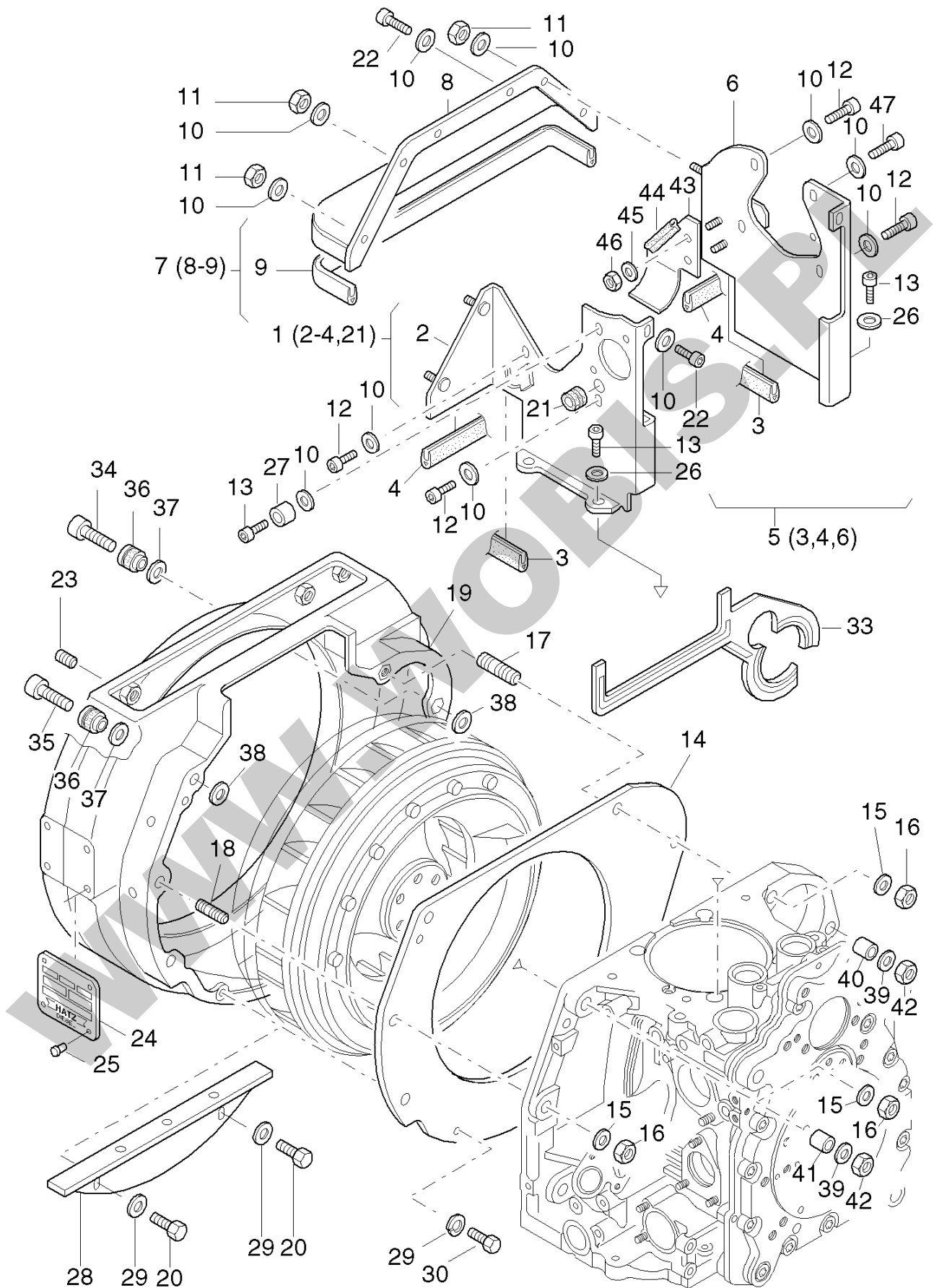


**ORYGINALNE CZĘŚCI ZAMIENNE SERWIS GWARANCYJNY I POGWARANCYJNY WYMIARY
SERWISOWE ORAZ KATALOGI CZĘŚCI ZAMIENNYCH NA STRONIE WWW.WOBIS.PL/SERWIS**

Pos.	Part no.	Description	Qty.	Notice	Add. notice	kg	EA	TA	DA	dDPW	List price
1	50331501	ROLLER TAPPET CPL.	1			0,038	4	11	5		105,6055
2	04144002	GUIDE	1			0,004	1	11	5		9,191
3	50050600	ALL.SCR.M 6X 12	1	M 6 x 12 DIN 912-8.8		0,005	4	11	1		1,729
4	50363400	O-RING 17X 1,2	0... 1	17 x 1,2		0,001	4	11	1	D1	5,0505
4	50390200	O-RING 17 X 1,1	0... 1	17 x 1,1		0,001	4	11	1		4,4135
5	04011700	PLATE	1			0,007	1	11	5		29,12
6	03209700	SHIM 0,3	0... 1	0,30 mm		0,003	1	11	1		6,6885
7	04102400	SHIM 0,60/42,2	0... 1	0,60 mm		0,001	1	11	1		3,8675
8	04102500	SHIM 0,90/42,2	0... 1	0,90 mm		0,009	1	11	1		4,459
9	04102600	SHIM 1,20/42,2	0... 1	1,20 mm		0,013	1	11	1		4,9595
10	04071300	GASKET	0... 2	0,10 mm		0,001	1	11	1	D3	2,821
10	04102200	GASKT.INJC.PUMP 0,2	0... 2	0,20 mm		0,001	1	11	1		5,278
10	04102300	GASKT.INJC.PUMP 0,3	0... 2	0,30 mm		0,001	1	11	1		5,6875
11	50475201	INJECTION PUMP EPA	1			0,693	4	11	5		561,5155
12	_nopart	Not in this engine	-								
13	50148000	HEXAGON NUT M 8	3	M 8 DIN 934-8 A3C		0,005	4	11	1		1,4105
15	01311800	FUEL PRESS PIPE	1	part was replaced by 01311801		0,131	0	11	0		
16	04025800	JOINT WASHER	1	2,0 MM		0,002	1	11	1	d1	4,1405
17	50475101	INJECTOR	1			0,199	4	11	5		451,9515
18	50479401	NOZZLE DSLA 155P839	1			0,030	4	13	0	P1	257,257
19	_noorder	No single order	-								
20	03792401	FLANGE	1			0,054	1	11	1		22,0675
21	04035700	WASHER	1			0,007	1	11	1		6,279
22	50000800	JOINT A 6,5X 9,5	2	A 6,5 x 9,5 DIN 7603-Cu		0,001	4	11	1	d2	0,455
23	50208500	SPRING WASHER 8	1	8 DIN 128 A3C		0,001	4	11	1		1,4105
24	50333400	BANJO CONNECTION	1			0,005	4	11	1		12,8765
25	50313000	BANJO BOLT M 6	1	M 6		0,005	4	11	1		10,556
26	50279200	STUD M 8X 40	1	M 8 x 40 DIN 835-8.8 A3C		0,019	4	11	1		3,8675
27	50004600	GRUB SCREW M 8X16	1	M 8 x 16 DIN 916-45H A3C		0,003	4	11	1		2,912
28	05035200	PRESSURE SPRING	1			0,005	1	11	1		7,007

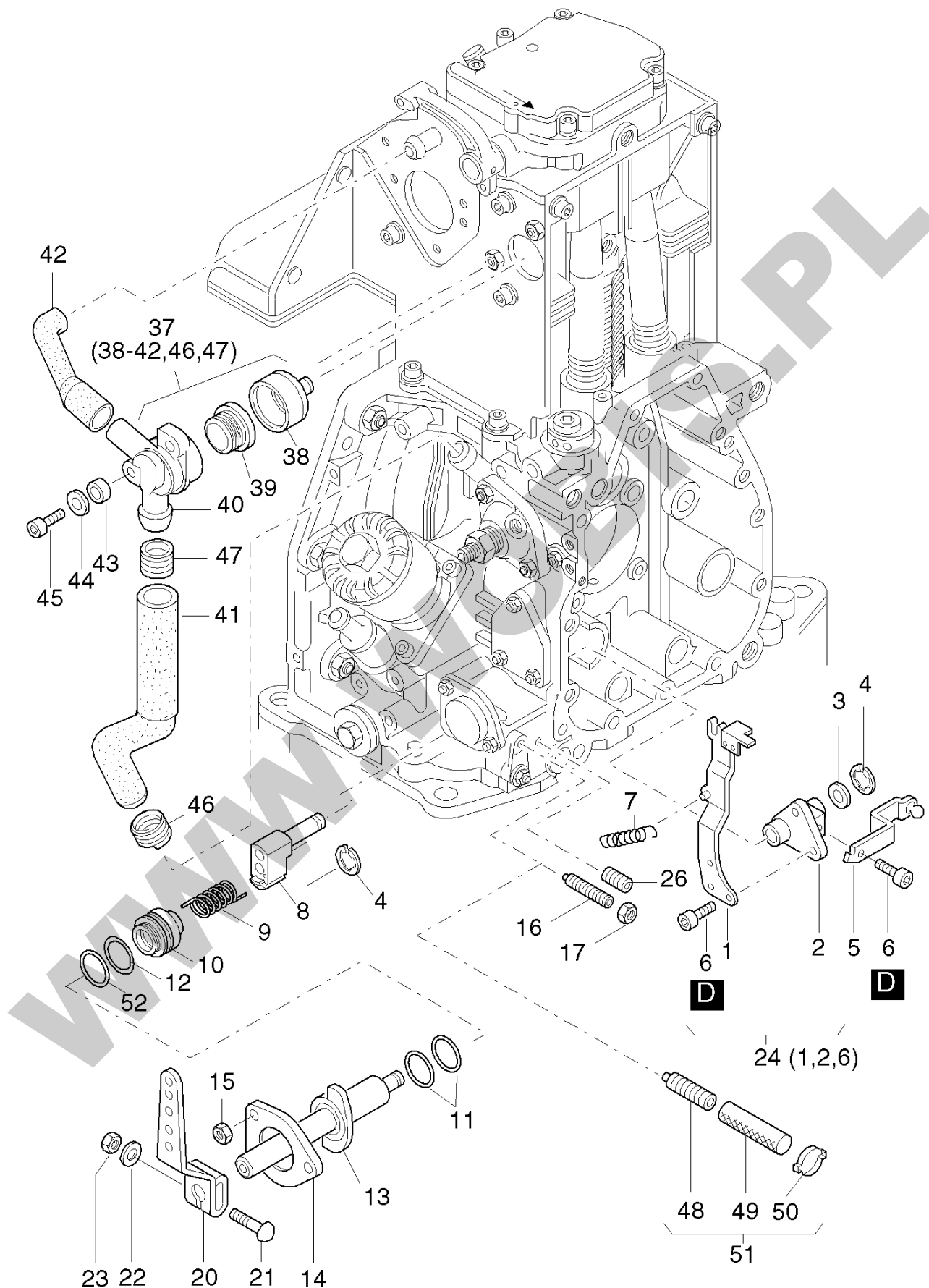
**ORYGINALNE CZĘŚCI ZAMIENNE SERWIS GWARANCYJNY I POGWARANCYJNY WYMIARY
SERWISOWE ORAZ KATALOGI CZĘŚCI ZAMIENNYCH NA STRONIE WWW.WOBIS.PL/SERWIS**

Pos.	Part no.	Description	Qty.	Notice	Add. notice	kg	EA	TA	DA	dDPW	List price
29	_noorder	No single order	-								
30	01519500	PIST.+SPRG.EXT.FUEL	1			0,055	1	12	1		87,2235
36	50328900	O-RING 22X1,6	1	22 x 1,6		0,001	4	11	1	D2	2,3205
37	04001410	CYL.F.EXTR.FUEL DEV	1			0,245	1	11	1		140,686
38	04001600	DISC	1			0,009	1	11	1		4,368
39	50330800	CLOS.SCREW M16X1,5	1	M 16 x 1,5 DIN 908-5.8 A3C Tuf.		0,019	4	11	1		12,376
40	50001100	JOINT A12 X15,5	2	A 12 x 15,5 DIN 7603-Cu		0,001	4	11	1	D2	0,7735
41	50015800	RING PIECE NW6	1	NW 6		0,015	4	11	1		13,3315
42	03662300	HOSE NIPPLE	1			0,034	1	11	5		25,0705
43	03664200	FUEL HOSE 5,0 X 130	1	5 x 2,5 - 130 mm		0,007	1	11	1		
44	00805502	VENT VALVE	1			0,004	1	11	1	P1	13,5135
45	03807100	FUEL HOSE 5,0X 150	1	5 x 150 mm		0,010	1	11	1		
46	03989601	HOSE NIPPLE T	1		""S-Z""	0,002	1	11	1		6,279
47	03962100	FUEL HOSE 3,5X 160	1	3,5 x 2,5 - 160 mm		0,007	1	11	1		
48	_nopart	Not in this engine	-								
49	_nopart	Not in this engine	-								
50	_nopart	Not in this engine	-								
51	_nopart	Not in this engine	-								
52	_nopart	Not in this engine	-								
53	05001200	CLIP	1			0,005	1	21	1		7,644
55	_noorder	No single order	-								
56	_nopart	Not in this engine	-								
57	_nopart	Not in this engine	-								
58	_nopart	Not in this engine	-								
59	_nopart	Not in this engine	-								
60	01499001	PIST.+CYL.EXTR.FUEL	0... 1		""T""	0,319	1	21	2		219,4465
60	01498902	PIST.+CYL.EXTR.FUEL	0... 1			0,328	1	11	1		163,163
D	50223300	LOCTITE 221	1	50 ML		0,077	4	12	0		99,0535



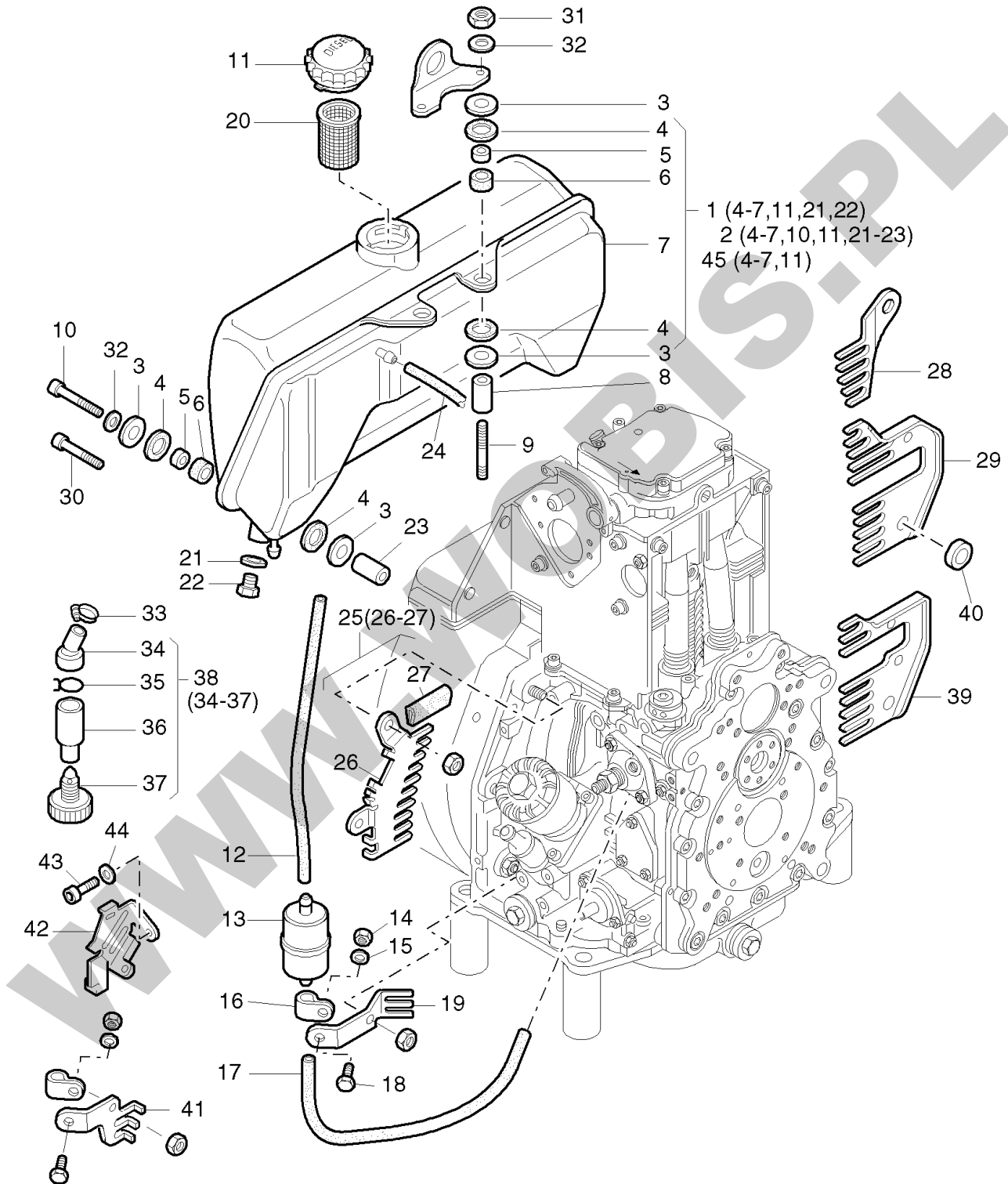
**ORYGINALNE CZĘŚCI ZAMIENNE SERWIS GWARANCYJNY I POGWARANCYJNY WYMIARY
SERWISOWE ORAZ KATALOGI CZĘŚCI ZAMIENNYCH NA STRONIE WWW.WOBIS.PL/SERWIS**

Pos.	Part no.	Description	Qty.	Notice	Add. notice	kg	EA	TA	DA	dDPW	List price
1	01260911	COOLING AIR DUCT	1	part was replaced by 01260920		0,270	9	11	0		161,5705
1	01332401	COOLING AIR DUCT	1			0,270	9	11	0		188,643
2	_noorder	No single order	-								
3	04030901	SEALING STRIP 29MM	2	29 mm		0,002	1	11	1		4,4135
4	04030801	SEALING STRIP 41MM	2	41 mm		0,003	1	11	1		4,186
5	01344800	COOLING AIR DUCT	1	part was replaced by 01344810		0,000	0	11	7		
6	_noorder	No single order	-								
7	01344700	COOLING AIR DUCT	1			0,261	1	11	1		103,467
8	_noorder	No single order	-								
9	04031001	SEALING STRIP 308MM	1	308 mm		0,020	1	11	1		23,1595
10	50144500	FLAT WASHER 6,4	14	6,4 DIN 125-St A3C		0,001	4	11	1		0,455
11	50144400	HEXAGON NUT M 6	4	M 6 DIN 934 - 8 A3C		0,002	4	11	1		1,2285
12	50149100	ALLEN SCREW M 6X 12	6	M 6 x 12 DIN 912-8.8 A3C		0,005	4	11	1		1,092
13	50170700	ALL.SCR.M 6 X 16	5	M 6 x 16 DIN 912-8.8 A3C		0,006	4	11	1		1,729
14	04136500	PARTING SHEET	1	part was replaced by 04136501		0,000	0	11	7		
15	50093700	FLAT WASHER A 13	2	13 DIN 125-St A3C		0,006	4	11	1		1,729
16	50093600	HEXAGON NUT M 12	2	M12 DIN 934-8 A3C		0,017	4	11	1		2,6845
17	50475000	STUD M12FO X40	2	M 12 x 40 DIN 835-8.8 A3C		0,046	4	11	1		8,463
18	_nopart	Not in this engine	-								
19	04136410	INTERMED.HOUS.SAE 5	1	SAE 5		0,000	0	11	7		
20	_nopart	Not in this engine	-								
21	50334800	RUBBER SLEEVE	1			0,001	4	11	1		3,2305
22	50170700	ALL.SCR.M 6 X 16	4	M 6 x 16 DIN 912-8.8 A3C		0,006	4	11	1		1,729
23	50226000	GRUB SCREW M 8X6	4	M 8 x 6 DIN 913-45H TU.FLEC		0,002	4	11	1		3,9585
24	_nopart	Not in this engine	-								
25	40002500	RIVET 2,4X6	4	2,4		0,001	4	11	1		1,4105
26	50144500	FLAT WASHER 6,4	4	6,4 DIN 125-St A3C		0,001	4	11	1		0,455
27	03936400	BUSH 6,2X8X5,5	1	6,2 x 8 x 5,5		0,001	1	11	1		4,823
28	_nopart	Not in this engine	-								
29	_nopart	Not in this engine	-								



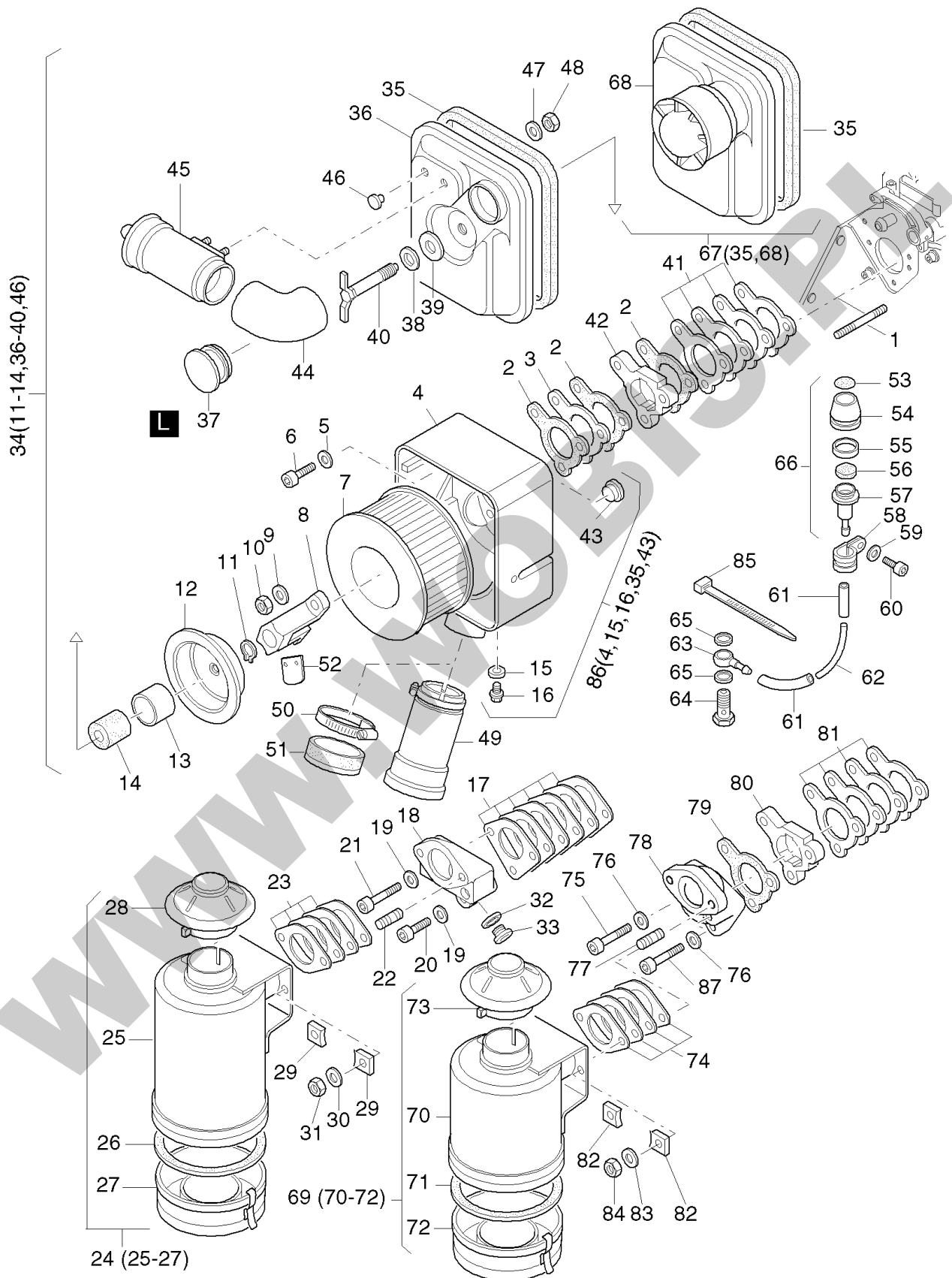
**ORYGINALNE CZĘŚCI ZAMIENNE SERWIS GWARANCYJNY I POGWARANCYJNY WYMIARY
SERWISOWE ORAZ KATALOGI CZĘŚCI ZAMIENNYCH NA STRONIE WWW.WOBIS.PL/SERWIS**

Pos.	Part no.	Description	Qty.	Notice	Add. notice	kg	EA	TA	DA	dDPW	List price
1	_noorder	No single order	-								
2	_noorder	No single order	-								
3	04000100	SHIM	1			0,001	1	11	1		3,003
4	50266100	CIRCLIP 6	2	6 DIN 6799		0,001	4	11	1		0,455
5	04037500	LEVER	1			0,025	1	11	1		16,107
6	50328701	ALL.SCR. M5X8	4	M 5 x 8 DIN 912-8.8 Tuf.		0,003	4	11	1		1,638
7	04000200	TENSION SPRING	1			0,001	1	11	1		9,828
8	01242810	GUIDE	1	part was replaced by 01242811		0,063	0	11	0		
9	03799010	THIGH SPRING	1			0,012	1	11	1		10,01
10	04052710	SPACER RING	1			0,155	1	11	1		39,858
11	50412900	O-RING 18 X 2	2	18 x 2		0,001	4	11	1	D2	1,8655
12	50129900	O-RING 32X37X2,5	1	32 x 2,5		0,001	4	11	1	D1	5,4145
13	01279221	STOP RNG.SPD.CONT.S	1			0,215	1	11	1		134,9075
14	03799210	FRICITION PLATE	1			0,017	1	11	1		15,288
15	50328300	HEXAGON NUT VM6	3	VM 6 DIN 980-8 A3C		0,002	4	11	1		1,4105
16	50507800	GRUB SCREW M6X45	2	M 6 x 45		0,007	4	11	1		7,189
17	50144400	HEXAGON NUT M 6	2	M 6 DIN 934 - 8 A3C		0,002	4	11	1		1,2285
20	03888300	HANDLEVER	1			0,100	1	11	1		28,7105
21	03927300	SCREW M 6X 32	1	M 6 x 32		0,012	1	11	1		
22	50144500	FLAT WASHER 6,4	1	6,4 DIN 125-St A3C		0,001	4	11	1		0,455
23	50346500	HEXAGON NUT M6	1	M 6 DIN 934 - 10 A2F 8 10.9		0,002	4	11	1		1,2285
24	01246803	GOVERNOR LEVER	1			0,110	1	11	1		216,3525
26	50403500	GRUB SCREW M8X20	1	M 8 x 20 DIN 914-45H		0,006	4	11	1		4,8685
37	01308101	BREATHER VALVE	1			0,078	1	11	1		93,821
38	04080300	BREATHER CUP	1			0,004	1	11	1		7,007
39	03568700	DIAPHRAGM	1			0,004	1	11	5		
40	_noorder	No single order	-								
41	04083800	BREATHER HOSE	1	FORM 1894		0,040	1	11	1		24,843
42	04074800	BREATHER HOSE	1	FORM 1695		0,012	1	11	1		13,5135
43	04080500	BUSH	2	7 x 8 x 8		0,001	1	11	1		6,734



**ORYGINALNE CZĘŚCI ZAMIENNE SERWIS GWARANCYJNY I POGWARANCYJNY WYMIARY
SERWISOWE ORAZ KATALOGI CZĘŚCI ZAMIENNYCH NA STRONIE WWW.WOBIS.PL/SERWIS**

Pos.	Part no.	Description	Qty.	Notice	Add. notice	kg	EA	TA	DA	dDPW	List price
1	01535000	FUEL TANK 5 LTRS	1	5 l		2,908	1	22	1		660,7965
2	01661400	FUEL TANK 7 LTRS.	1	7 l		2,000	1	22	1		786,968
3	05097600	WASHER	8	8,5 - 27		0,007	1	11	1		2,912
4	03981802	RUBBER WASHER	8	17 - 25		0,001	1	21	1		8,6905
5	03981701	BUSH 8,4X13X7,5	4	8,4 x 13 x 7,5		0,005	1	21	1		5,096
6	03981900	RUBBER SHELL	4			0,001	1	21	1		1,911
7	_noorder	No single order	-								
8	03981500	BUSH 9X18X49	0... 2	9 x 18 x 49		0,073	1	21	1		20,657
8	05163500	BUSH 8,5X18X61	0... 2	8,5 x 18 x 61 (7 l SAE 5)		0,092	1	21	2		28,756
9	50377001	STUD M 8X 75	0... 2	M 8 x 75 DIN 835-10.9 A3C		0,033	4	21	1		8,9635
9	50065100	STUD M 8X85	0... 2	M 8 x 85 DIN 835-8.8 A3C		0,035	4	11	1		5,915
10	50171600	ALL.SCR.M 8X 65	2	M 8 x 65 DIN 912-8.8 A3C		0,030	4	21	1		5,551
11	40032701	CAP F.FUEL TANK B40	0... 1	B 40		0,071	4	21	1	P1	26,026
11	50385801	CAP FUEL TANK B60	0... 1	DT 60 f.Tank 7l + 10l		0,101	4	21	1	P1	42,3605
12	03493300	FUEL HOSE 7 X 145	1	7 x 145		0,010	1	21	2		
13	50478800	FUEL FILTER 7MY	1	Filter		0,054	4	21	1	W2	29,8025
14	50144400	HEXAGON NUT M 6	1	M 6 DIN 934 - 8 A3C		0,002	4	11	1		1,2285
15	50144500	FLAT WASHER 6,4	1	6,4 DIN 125-St A3C		0,001	4	11	1		0,455
16	03165500	PIPE CLIP	1			0,005	1	11	1		5,46
17	03493600	FUEL HOSE 7 X 330	0... 1	7 x 330 mm		0,030	1	21	2		
17	03674300	FUEL HOSE 7 X 305	0... 1	7 x 305 mm		0,025	1	21	1		
18	50165500	HEXSCREW M 6X 12	1	M 6 x 12 DIN 933-8.8 A3C		0,004	4	11	1		1,5015
19	_nopart	Not in this engine	-								
20	50387300	SIEVE	0... 1	f. Tank 7l + 10l		0,010	4	21	1		42,4515
20	40037800	SIEVE	0... 1	f. Tank 5l B 40		0,015	4	21	1		40,2675
21	50001000	JOINT A10 X16	1	A 10 x 16 DIN 7603-Cu		0,008	4	11	1		0,5915
22	05126000	DRAIN PLUG	1	M 10 x 12		0,018	1	21	1		27,664
23	03981600	BUSH 9X18X38	2	9 x 18 x 38		0,057	1	21	1		12,8765
24	03663800	FUEL HOSE 5,0 X 40	1	5 x 40 mm		0,002	1	11	1		2,2295
25	_nopart	Not in this engine	-								



**ORYGINALNE CZĘŚCI ZAMIENNE SERWIS GWARANCYJNY I POGWARANCYJNY WYMIARY
SERWISOWE ORAZ KATALOGI CZĘŚCI ZAMIENNYCH NA STRONIE WWW.WOBIS.PL/SERWIS**

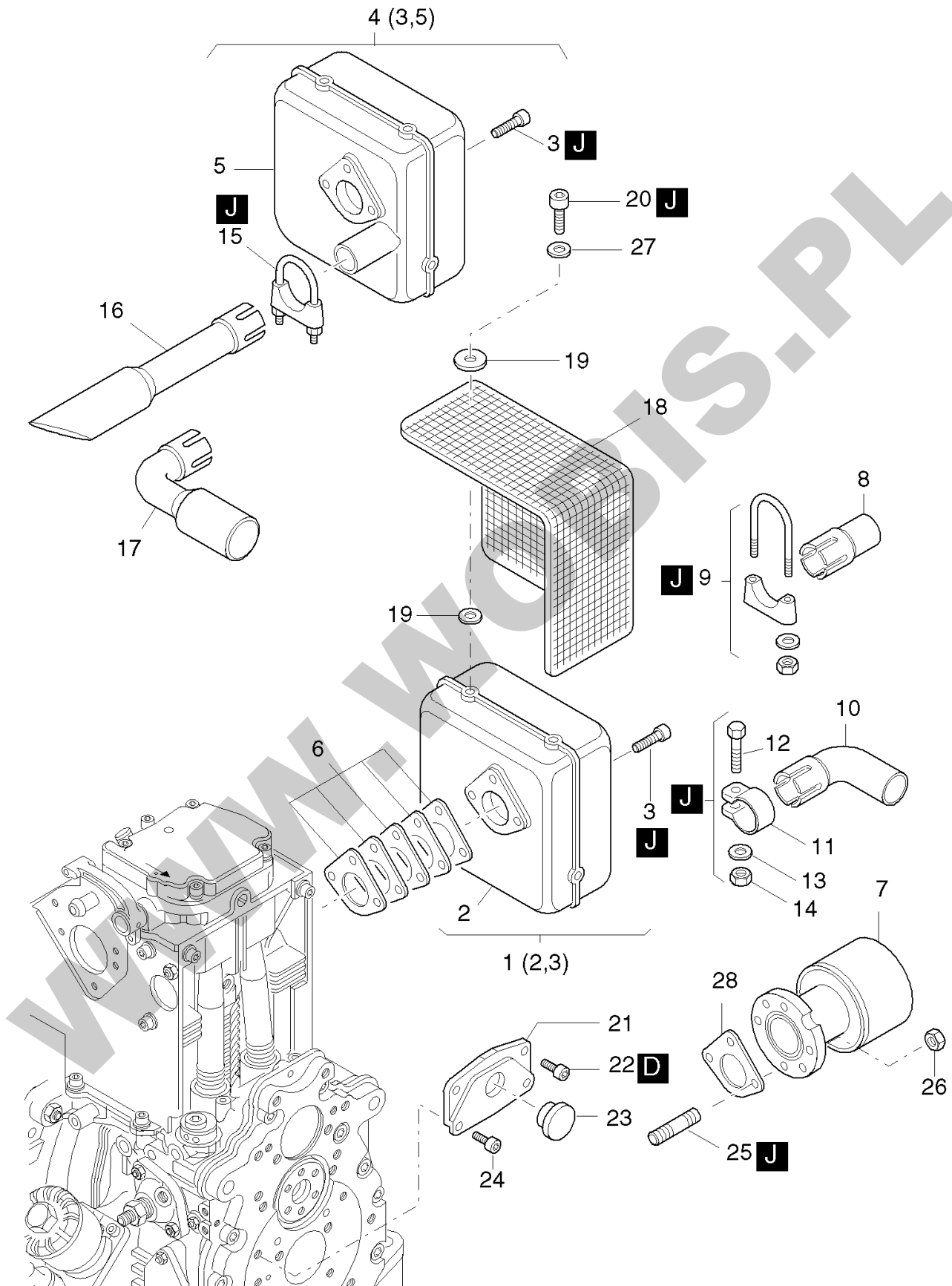
Pos.	Part no.	Description	Qty.	Notice	Add. notice	kg	EA	TA	DA	dDPW	List price
1	50038900	STUD M 8X 60	2	M 8 x 60 DIN 855-8.8		0,025	4	21	1		5,7785
2	04029800	GASKET	3			0,001	1	21	1	d3	3,003
3	04029701	INSULATING FLANGE	1			0,011	1	21	1		13,013
4	_noorder	No single order	-								
5	50095100	SPRING WASHER A 8	1	A 8 DIN 137 A3C		0,001	4	11	1		0,455
6	50080800	ALL.SCREW M 8X42	1	M 8 x 42 DIN 912-8.8		0,022	4	11	1		4,095
7	04030100	AIRFILTER ELEMENT	1			0,200	4	21	1	W2	54,509
8	01490900	RETAINING BRACKET	1			0,000	0	21	0		
9	50148100	FLAT WASHER 8,4	2	8,4 DIN 125-St A3C		0,002	4	11	1		0,455
10	50129500	HEXAGON NUT M 8	2	M 8 DIN 985-8 A3C		0,002	4	11	1		2,6845
11	50412000	CIRCLIP 10 X 1	1	A 10 x 1 DIN 471		0,001	4	11	1		0,455
12	05039200	CENTRING COVER	1			0,304	1	21	1		54,8275
13	05039300	BUSH 33X35X23,5	1	33 x 35 x 23,5		0,019	1	21	1		9,737
14	03579400	SEALING RING	1			0,012	1	11	1		18,746
15	50000900	JOINT A8X11,5	1	A 8 x 11,5 DIN 7603-Cu		0,001	4	11	1		0,455
16	50137900	CLOS.SCREW M8X1	1	M 8 x 1 DIN 7604		0,006	4	11	1		5,551
17	_nopart	Not in this engine	-								
18	_nopart	Not in this engine	-								
19	_nopart	Not in this engine	-								
20	_nopart	Not in this engine	-								
21	_nopart	Not in this engine	-								
22	_nopart	Not in this engine	-								
23	_nopart	Not in this engine	-								
24	_nopart	Not in this engine	-								
25	_noorder	No single order	-								
26	_nopart	Not in this engine	-								
27	_nopart	Not in this engine	-								
28	_nopart	Not in this engine	-								
29	_nopart	Not in this engine	-								
30	_nopart	Not in this engine	-								

**ORYGINALNE CZĘŚCI ZAMIENNE SERWIS GWARANCYJNY I POGWARANCYJNY WYMIARY
SERWISOWE ORAZ KATALOGI CZĘŚCI ZAMIENNYCH NA STRONIE WWW.WOBIS.PL/SERWIS**

Pos.	Part no.	Description	Qty.	Notice	Add. notice	kg	EA	TA	DA	dDPW	List price
31	_nopart	Not in this engine	-								
32	_nopart	Not in this engine	-								
33	_nopart	Not in this engine	-								
34	01496700	COVER F. AIRFILTER	1			0,386	1	22	1		144,1895
35	04061501	SEALING STR. 626 MM	1	630 mm		0,110	1	21	1		34,8075
36	_noorder	No single order	-								
37	05039402	CLOSING COVER	1			0,012	1	21	1		8,099
38	03814100	INSULATING DISC	1			0,002	1	21	1		4,368
39	05038700	WASHER 11 X 36 X 3	1	11 x 36 x 3		0,022	1	21	1		5,369
40	01490800	WING SCREW	1			0,074	1	21	1		52,871
41	01449100	GASKET AIRFILTER	1			0,030	1	21	1		13,4225
42	04053100	INTERMEDIATE FLANGE	1	part was replaced by 04053101		0,070	0	21	7		
43	50395700	COVER 15	1	15 PHT		0,001	9	11	0		7,189
44	05038910	ELBOW F. CYCLON	1			0,087	1	21	2		30,8035
45	01491010	CYCLONE	1			0,258	4	21	2		157,5665
46	50411900	CLOSING PLUG 7	2	F 2 PHT SCHW.		0,001	4	21	1		4,5955
47	50120000	DISC A 6,4	2	A 6,4 DIN 9021-St A3C		0,003	4	11	1		0,455
48	40028300	HEX.NUT M 6	2	VM 6 DIN 980 C3P		0,003	4	11	1		2,1385
49	01471200	CYCLONE	1			0,279	1	21	4		250,4775
50	50406600	HOSE CLIP 40/60	1	40 / 60		0,036	4	21	1		9,737
51	01481400	CAP AIR INTAKE	1			0,044	1	21	1		42,224
52	05033500	VALVE PLATE	1			0,001	1	21	1		2,3205
53	05044501	INDIC. PLATE	1			0,001	1	21	1		10,3285
54	05043601	RUBBER CAP	1			0,002	1	21	1		28,847
55	05045600	SIGNAL RING	1	(grün, green, vert, verde)		0,001	1	21	1		2,002
56	05137200	FILTER	1	Filter, Filtre, Filtro ø 20 mm		0,001	1	21	1		1,001
57	05043700	ADAPTER	1			0,014	1	21	1		40,8135
58	50173500	PIPE CLIP	1	10 / 15		0,010	4	11	1		6,8705
59	50170900	SPRING WASHER 6	1	6 DIN 128 - A3C		0,001	4	11	1		0,455
60	50170600	ALL.SCR.M 6X 20	1	M 6 x 20 DIN 912-8.8 A3C		0,007	4	11	1		1,729

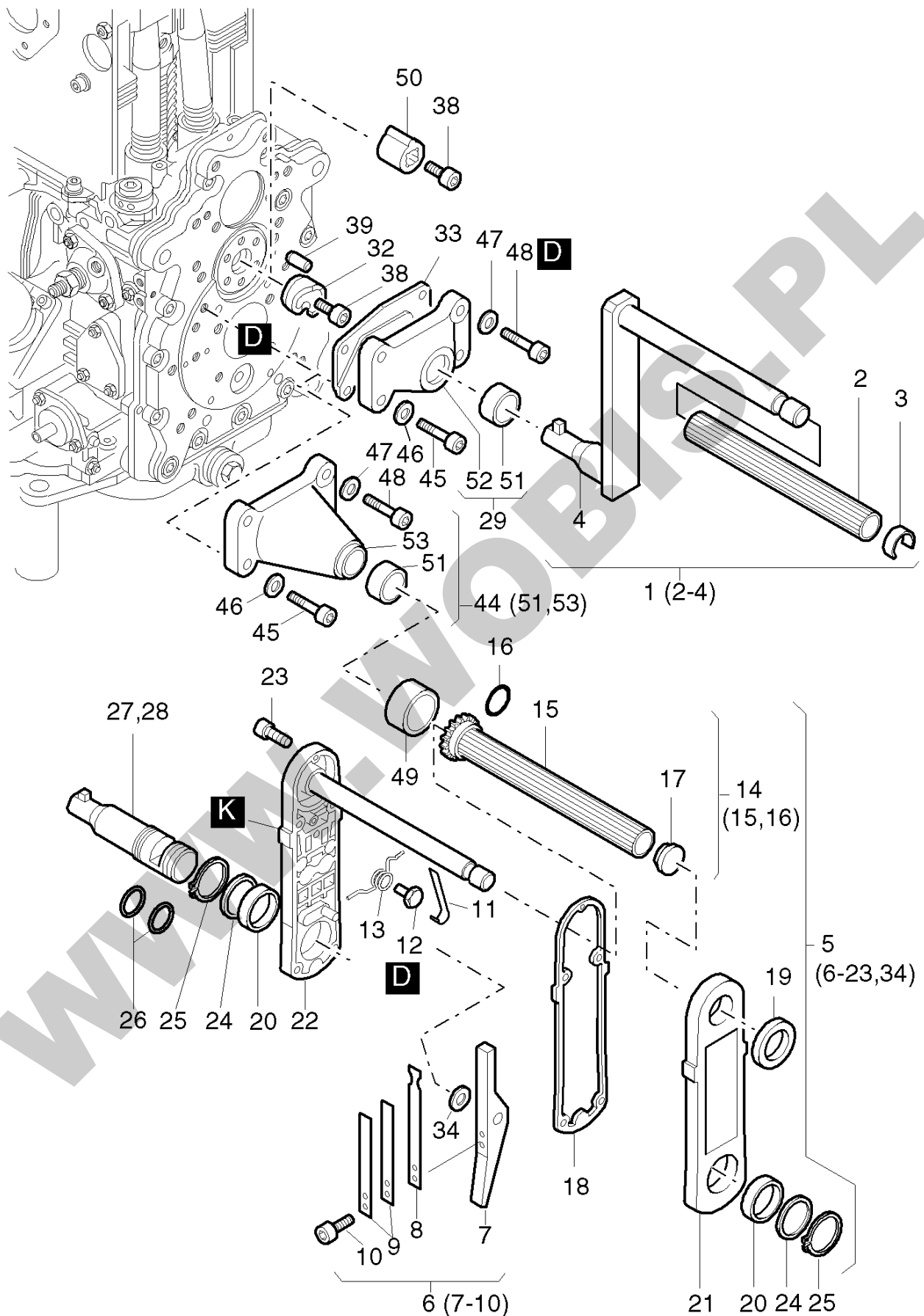
**ORYGINALNE CZĘŚCI ZAMIENNE SERWIS GWARANCYJNY I POGWARANCYJNY WYMIARY
SERWISOWE ORAZ KATALOGI CZĘŚCI ZAMIENNYCH NA STRONIE WWW.WOBIS.PL/SERWIS**

Pos.	Part no.	Description	Qty.	Notice	Add. notice	kg	EA	TA	DA	dDPW	List price
61	03961400	FUEL HOSE 3,5 X 50	2	3,5 x 50		0,002	1	21	0		2,457
62	05044600	HOSE 2 X 4 X 100	1	2 x 4 x 100		0,003	1	21	3		9,191
63	50015700	RING PIECE NW3	1	NW 3		0,007	4	11	1		9,5095
64	50006100	BANJO BOLT 4-5-3	1	4-5-3 DIN 7643		0,007	4	11	1		6,3245
65	50000900	JOINT A8X11,5	2	A 8 x 11,5 DIN 7603-Cu		0,001	4	11	1		0,455
66	01499801	MAINT.INDICATOR	1			0,026	1	21	1		82,446
67	01539300	COVER F. AIRFILTER	1			0,470	4	22	2		229,411
68	_noorder	No single order	-								
69	01647100	OILBATH AIRFILTER	1			1,825	4	21	2		449,995
70	_noorder	No single order	-								
71	49038000	PACKING RING	1			0,012	4	23	1		12,376
72	49037900	OIL CONTAINER	1			0,270	4	23	1		94,5035
73	40040400	RAIN PROTECTION CAP	1			0,065	4	11	1		72,2995
74	01651400	GASKET AIRFILTER	1	part was replaced by 01651401		0,025	9	21	0		14,0595
75	50177200	ALL.SCR.M 8X 80	2	M 8 x 80 DIN 912-8.8 A3C		0,035	4	21	2		5,915
76	50095100	SPRING WASHER A 8	3	A 8 DIN 137 A3C		0,001	4	11	1		0,455
77	50145700	STUD M 10X 20	2	M 10 x 20 DIN 835-8.8 A3C		0,020	0	21	2		3,731
78	05173100	INTERMEDIATE FLANGE	1			0,000	0	21	0		
79	04029800	GASKET	1			0,001	1	21	1	d3	3,003
80	04053100	INTERMEDIATE FLANGE	1	part was replaced by 04053101		0,070	0	21	7		
81	01449100	GASKET AIRFILTER	1			0,030	1	21	1		13,4225
82	03945400	PLATE	2			0,047	1	21	2		12,5125
83	50135600	SPRING WASHER 10	2	10 DIN 128 A3C		0,002	4	21	1		0,455
84	50145800	HEXAGON NUT M 10	2	M 10 DIN 934-8 A3C		0,011	4	11	1		2,002
85	50358400	STRAP	1	200 x 4,8 mm SCHWARZ		0,001	4	11	1		0,6825
86	01498300	AIRFILTER HOUSING	1	part was replaced by 01498301		1,105	0	21	7		
87	50177200	ALL.SCR.M 8X 80	1	M 8 x 80 DIN 912-8.8 A3C		0,035	4	21	2		5,915
L	50256600	SILICON SEALER	1			0,130	4	12	0		193,4205



**ORYGINALNE CZĘŚCI ZAMIENNE SERWIS GWARANCYJNY I POGWARANCYJNY WYMIARY
SERWISOWE ORAZ KATALOGI CZĘŚCI ZAMIENNYCH NA STRONIE WWW.WOBIS.PL/SERWIS**

Pos.	Part no.	Description	Qty.	Notice	Add. notice	kg	EA	TA	DA	dDPW	List price
1	01558600	EXHAUST SILENCER	1			3,645	1	22	1		784,238
2	_noorder	No single order	-								
3	50403900	ALL.SCR.M 8 X 25	3	M 8 x 25 DIN 912-8.8 C4P		0,015	4	21	1		2,2295
4	01507700	EXHAST.SILENC. TOP	1			3,651	1	22	1		784,238
5	_noorder	No single order	-								
6	01489310	GASKET EXHST.SIL. S	1			0,040	1	21	4	d1	23,1595
7	01500901	EXHAUST SILENCER	1			0,830	1	21	2		256,165
8	03998300	EXHAUST TUBE	1			0,112	1	21	4		82,901
9	00873100	PIPE CLIP 40/42	1	40 / 42		0,108	4	21	2		25,662
10	03740800	EXHAUST ELBOW	1	ø 38		0,140	1	21	5		
11	03740900	PIPE CLIP 41,5	1	41,5 mm		0,087	1	21	1		16,198
12	50380000	HEXSCREW M 8 X 50	1	M 8 x 50 DIN 931-8.8 A3C part was replaced by 50028100		0,025	4	21	1		2,6845
13	50148100	FLAT WASHER 8,4	1	8,4 DIN 125-St A3C		0,002	4	11	1		0,455
14	40028400	HEX.NUT M 8	1	VM 8 DIN 980-8 C3A		0,008	4	11	1		2,2295
15	50388000	PIPE CLIP 1 1/8-28	1	1/8-28 883-2 A3C		0,103	4	21	2		16,3345
16	03997301	EXHAUST TUBE	1			0,253	1	21	2		129,675
17	03997200	EXHAUST ELBOW	1			0,245	1	21	2		178,633
18	05140700	GUARD	1			0,330	1	21	1		139,1845
18	_noorder	No single order	-								
19	05034202	SPRING WASHER	8	6,5 x 38		0,010	1	21	1		4,823
20	50255700	ALL.SCR.M 6X 12	4	M 6 x12 DIN 912-8.8 C4A		0,005	4	21	1		1,729
21	03985300	GUARD	1			0,056	1	21	2		33,67
22	50135700	ALL.SCR.M10X 16	2	M 10 x 16 DIN 912-8.8 A3C		0,021	4	21	1		3,6855
23	40091400	CLOSING CAP	1	F24 SCHW.		0,004	4	21	2		3,6855
24	50165400	ALL.SCR.M 8X 16	2	M 8 x 16 DIN 912-8.8 A3C		0,009	4	21	1		2,6845
25	50037800	STUD M 8X 22	2	M 8 x 22 DIN 835-10.9		0,012	4	11	1		3,003
26	40028400	HEX.NUT M 8	2	VM 8 DIN 980-8 C3A		0,008	4	11	1		2,2295
27	50120000	DISC A 6,4	4	A 6,4 DIN 9021-St A3C		0,003	4	11	1		0,455
28	03974100	GASKET	9			0,007	0	21	1		

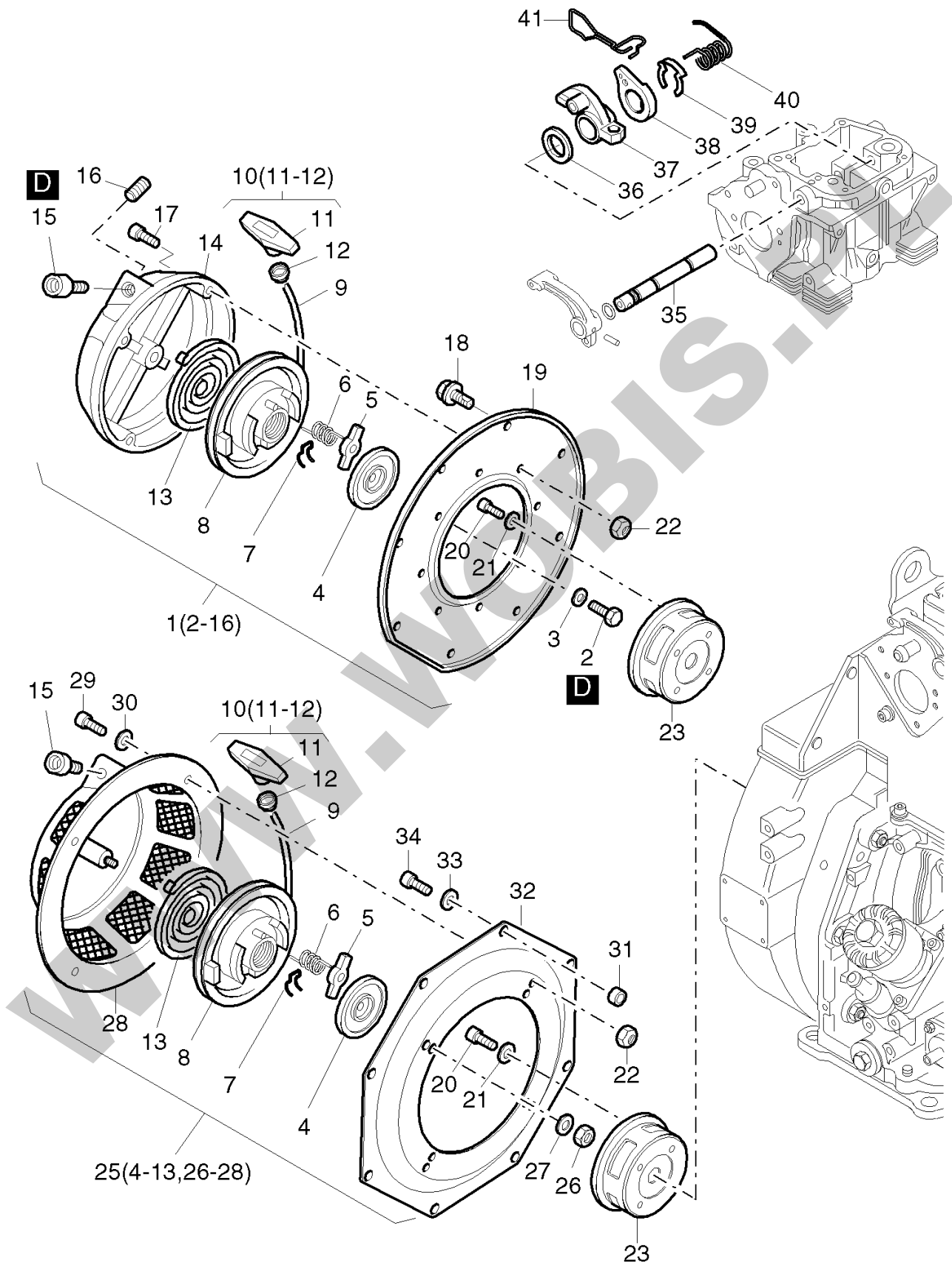


**ORYGINALNE CZĘŚCI ZAMIENNE SERWIS GWARANCYJNY I POGWARANCYJNY WYMIARY
SERWISOWE ORAZ KATALOGI CZĘŚCI ZAMIENNYCH NA STRONIE WWW.WOBIS.PL/SERWIS**

Pos.	Part no.	Description	Qty.	Notice	Add. notice	kg	EA	TA	DA	dDPW	List price
1	01248002	STARTING HANDLE 80	1	80 mm		1,350	1	21	2		304,1675
1	01469800	STARTING HANDLE 330	1	330 mm		2,370	1	21	0		493,0835
1	01426702	STARTING HANDLE 160	1	160 mm		1,500	1	21	4		417,872
1	01433202	STARTING HANDLE 275	1	275 mm		1,870	1	21	4		473,837
1	01407302	STARTING HANDLE 200	1	200 mm		1,600	1	21	4		455,5005
1	01426502	STARTING HANDLE 140	1	140 mm		1,450	1	21	4		414,1865
2	03522400	HANDLE	1			0,050	1	21	2		21,931
3	03515400	SNAP RING	1			0,001	1	21	2		6,1425
4	_noorder	No single order	-								
5	01027805	CR.HANDLE-SAFETY A	1	"A"		1,440	1	21	1		785,1935
6	01011404	LEVER	1			0,125	1	21	1		160,888
7	_noorder	No single order	-								
8	03812102	PLATE SPRING	1			0,007	1	21	1		13,5135
9	03917100	PLATE SPRING	2			0,006	1	21	1		11,648
10	50316500	ALL.SCREW M 5X 8	2	M 5 x 8 DIN 6912-8.8 A3C		0,002	4	11	1		2,912
11	03954900	PLATE SPRING	1			0,005	1	21	1		11,648
12	03955600	HEXSCREW	1			0,003	1	21	1		11,648
13	03955900	SPRING A	1	"A"		0,002	1	21	1		11,648
14	01011310	HANDLE CPL.	1			0,100	1	22	0		202,8845
15	_noorder	No single order	-								
16	50169100	O-RING19 X 1,8	1	19 x 1,8		0,001	4	21	1		1,729
17	50199200	CLOSING PLUG	1	V18 NATUR		0,002	4	21	1		2,3205
18	03813000	GASKET	1			0,001	1	21	1		7,007
19	50194200	OIL SEAL 28X35X4	1	28 x 35 x 4		0,004	4	21	1		26,117
20	50193400	BUSH	2			0,014	4	11	1		11,2385
21	_noorder	No single order	-								
22	_noorder	No single order	-								
23	50194400	ALL.SCR.M 6X 25	5	M 6 x 25 WN 11084-8.8 Zn		0,006	4	21	5		
24	03928600	SHIM 30X38X0,15	0... 2	30 x 38 x 0,15		0,001	1	21	2		4,186
25	50194300	CIRCLIP AK 30 X 1,5	2	A 30 x 1,5 K DIN 983		0,003	4	21	2		4,4135

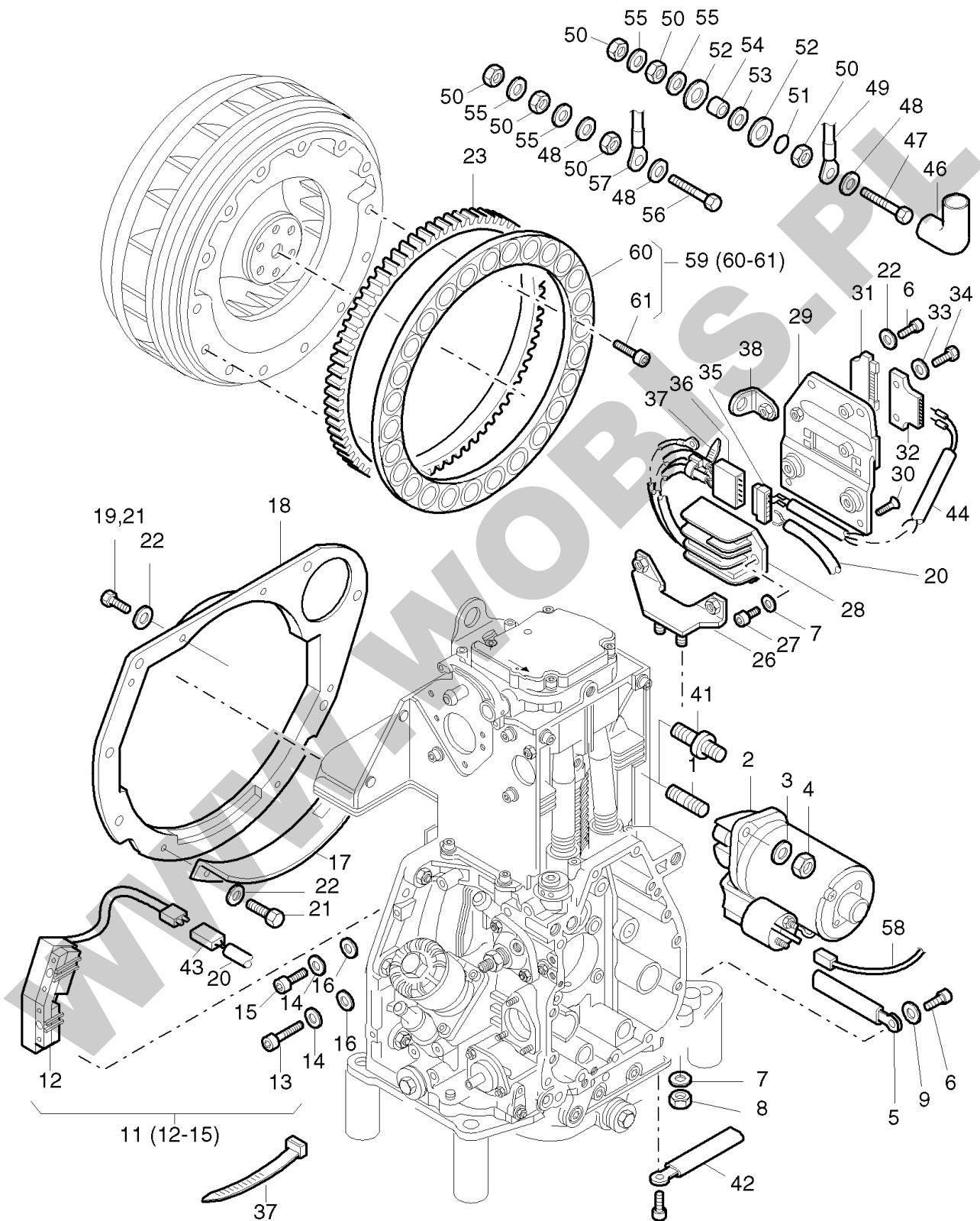
**ORYGINALNE CZĘŚCI ZAMIENNE SERWIS GWARANCYJNY I POGWARANCYJNY WYMIARY
SERWISOWE ORAZ KATALOGI CZĘŚCI ZAMIENNYCH NA STRONIE WWW.WOBIS.PL/SERWIS**

Pos.	Part no.	Description	Qty.	Notice	Add. notice	kg	EA	TA	DA	dDPW	List price
26	50258500	O-RING 26 X1,5	2	26 x 1,5		0,001	4	11	1		1,729
27	01411402	CR-HANDLE SHAFT 200	1	200 mm		0,720	1	21	2		341,796
27	01469700	CR-HANDLE SHAFT 330	1	330 mm		1,350	1	21	4		391,3455
27	01187202	CR-HANDLE SHAFT 80	1	80 mm		0,410	1	21	2		277,6865
27	01426902	CR-HANDLE SHAFT 160	1	160 mm		0,670	1	21	4		342,4785
27	01426802	CR-HANDLE SHAFT 140	1	140 mm		0,585	1	21	2		328,3735
27	01421102	CR-HANDLE SHAFT 275	1	275 mm		0,910	1	21	4		407,3615
28	_nopart	Not in this engine	-								
29	01463600	GUIDING SHELL	1			0,200	1	21	1		126,1715
32	04020310	CRANK JAW LEFT	1			0,054	1	21	1		146,4645
33	03985300	GUARD	1			0,056	1	21	2		33,67
34	50195800	SHIM 10X16X1,0	1	10 x 16 x 0,5 DIN 988		0,001	4	11	1		1,4105
38	50134900	ALL.SCR.M 8X 16	1	M 8 x 16 DIN 6912-8.8 A3C		0,009	4	11	1		3,1395
39	50387100	CYL.PIN 5X20	1	5 M 6 x 20 DIN 6325		0,003	4	11	1		3,003
44	01459500	GUIDING SHELL	1	80 - 200 mm		0,274	1	21	2		148,239
45	50183000	ALL.SCR. M 8X 35	2	M 8 x 35 DIN 912-8.8 A3C		0,018	4	11	1		1,547
46	50148100	FLAT WASHER 8,4	2	8,4 DIN 125-St A3C		0,002	4	11	1		0,455
47	50145900	FLAT WASHER 10,5	2	B 10,5 DIN 125-St A3C		0,004	4	11	1		1,4105
48	50327800	ALL.SCR.M10X 35	2	M 10 x 35 DIN 912-8.8 A3C		0,031	4	21	1		3,6855
49	_nopart	Not in this engine	-								
50	04082900	CRANKING DEVICE	1	1/2"		0,066	1	21	2		70,0245
51	50387601	BUSH 1 INCH	1	1"		0,015	4	11	1		16,016
52	_noorder	No single order	-								
53	_noorder	No single order	-								
D	50223300	LOCTITE 221	1	50 ML		0,077	4	12	0		99,0535
K	50342600	GREASE START.DEVICE	1	100 GRAMM part was replaced by 50342601		0,100	0	12	0		



**ORYGINALNE CZĘŚCI ZAMIENNE SERWIS GWARANCYJNY I POGWARANCYJNY WYMIARY
SERWISOWE ORAZ KATALOGI CZĘŚCI ZAMIENNYCH NA STRONIE WWW.WOBIS.PL/SERWIS**

Pos.	Part no.	Description	Qty.	Notice	Add. notice	kg	EA	TA	DA	dDPW	List price
1	_nopart	Not in this engine	-								
2	_nopart	Not in this engine	-								
3	_nopart	Not in this engine	-								
4	05045001	BRAKE DISC	1			0,011	1	11	1		11,6025
5	05044800	RATCHET F.REV.START	1			0,026	1	11	1		16,3345
6	05061300	RETURN SPRING	1			0,001	1	11	1		10,738
7	05044901	BRAKE SPRING	1			0,003	1	11	1		11,648
8	01548800	ROPE PULLEY	1			0,170	1	12	1		81,627
9	05088901	ROPE RECL.STR1750MM	1	1750 mm 1 B 30/40		0,025	1	11	1		
10	01497800	HANDLE F.REV.START	1			0,022	1	12	1		24,024
11	_noorder	No single order	-								
12	03665200	RUBBER SLEEVE	1			0,002	1	11	1		5,369
13	05045201	RETURN SPRING	1			0,092	1	11	1		
14	_nopart	Not in this engine	-								
15	03946800	GUIDING PIECE	1			0,012	1	11	4		29,484
16	_nopart	Not in this engine	-								
17	_nopart	Not in this engine	-								
18	_nopart	Not in this engine	-								
19	_nopart	Not in this engine	-								
20	50170700	ALL.SCR.M 6 X 16	4	M 6 x 16 DIN 912-8.8 A3C		0,006	4	11	1		1,729
21	50170900	SPRING WASHER 6	4	6 DIN 128 - A3C		0,001	4	11	1		0,455
22	50328300	HEXAGON NUT VM6	4	VM 6 DIN 980-8 A3C		0,002	4	11	1		1,4105
23	05077900	DRIVING SLEEVE	1			0,260	1	11	0		141,3685
25	01434600	RECOIL-STARTER T/U	1	1D50 "T-U"		1,325	9	21	0		736,5995
26	50144400	HEXAGON NUT M 6	1	M 6 DIN 934 - 8 A3C		0,002	4	11	1		1,2285
27	50165600	SPRING WASHER6,5X14	1	6,5 x 14 DIN 6904 A3C		0,001	9	11	0		0,455
28	_noorder	No single order	-								
29	50149100	ALLEN SCREW M 6X 12	4	M 6 x 12 DIN 912-8.8 A3C		0,005	4	11	1		1,092
30	50170900	SPRING WASHER 6	4	6 DIN 128 - A3C		0,001	4	11	1		0,455
31	03608300	SPACER SLEEVE	8	11 x 15 x 7		0,004	1	11	4		14,014

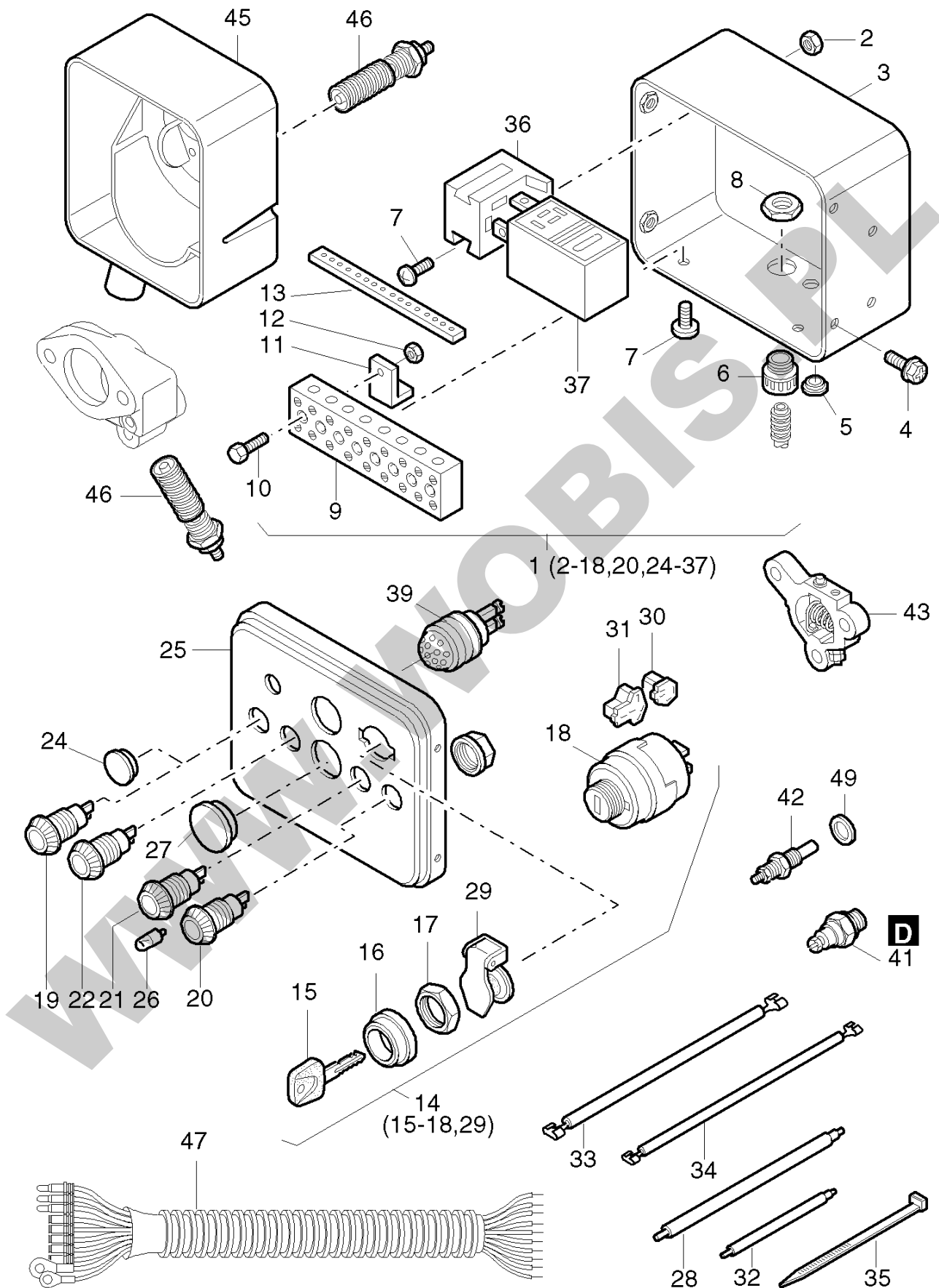


**ORYGINALNE CZĘŚCI ZAMIENNE SERWIS GWARANCYJNY I POGWARANCYJNY WYMIARY
SERWISOWE ORAZ KATALOGI CZĘŚCI ZAMIENNYCH NA STRONIE WWW.WOBIS.PL/SERWIS**

Pos.	Part no.	Description	Qty.	Notice	Add. notice	kg	EA	TA	DA	dDPW	List price
1	50486400	STUD M12X 50	2	M 12 x 50Fo DIN 835-8.8 A3C		0,066	4	21	1		7,9625
2	50353511	STARTER 12V 1,6KW	1	12 V - 1,6 kW "S, Z, C" part was replaced by 01721000		0,000	0	21	0		
2	50389700	STARTER 12V 2KW T/U	1	12 V - 2,0 kW "T-U"		3,700	9	21	0		2534,714
2	50382201	STARTER 24V S/Z/C	1	24 V - 1,6 kW "S, Z, C" part was replaced by 50496400		3,858	0	21	0		
3	50093700	FLAT WASHER A 13	2	13 DIN 125-St A3C		0,006	4	11	1		1,729
4	50380600	HEXAGON NUT M 12	2	M 12 DIN 970-8 A3C		0,014	4	21	1		2,912
5	05001200	CLIP	2			0,005	1	21	1		7,644
6	50149100	ALLEN SCREW M 6X 12	2	M 6 x 12 DIN 912-8.8 A3C		0,005	4	11	1		1,092
7	50208500	SPRING WASHER 8	4	8 DIN 128 A3C		0,001	4	11	1		1,4105
8	50148000	HEXAGON NUT M 8	2	M 8 DIN 934-8 A3C		0,005	4	11	1		1,4105
9	50144500	FLAT WASHER 6,4	1	6,4 DIN 125-St A3C		0,001	4	11	1		0,455
11	_nopart	Not in this engine	-								
12	01440710	COIL WITH WIRE 12V	1	12 V		0,400	1	21	1		436,891
12	01440810	COIL WITH WIRE 24V	1	24 V		0,400	1	21	4		436,891
13	50236600	ALL SCR.M 6X 25	1	M 6 x 25 DIN 6912-8.8 A3C		0,006	4	11	1		2,912
14	50165600	SPRING WASHER6,5X14	2	6,5 x 14 DIN 6904 A3C		0,001	9	11	0		0,455
15	50448700	ALL.SCR.M 6X 30	1	M 6 x 30 DIN 6912-8.8 A3C		0,007	4	21	1		2,3205
16	50144500	FLAT WASHER 6,4	1	6,4 DIN 125-St A3C		0,001	4	11	1		0,455
17	_nopart	Not in this engine	-								
18	04136800	PARTING SHEET	1	part was replaced by 04136801		0,000	0	21	7		
19	50098500	HEXSCREW M 8X 16	2	M 8 x 16 DIN 933-8.8 A3C		0,011	4	11	1		2,3205
20	01558300	ELECTRIC WIRE GEN.	1	350W		0,085	1	21	2		70,161
21	50165500	HEXSCREW M 6X 12	3	M 6 x 12 DIN 933-8.8 A3C		0,004	4	11	1		1,5015
22	50170900	SPRING WASHER 6	4	6 DIN 128 - A3C		0,001	4	11	1		0,455
23	04032310	GEARRING S/Z/C	1			0,582	1	21	1		272,1355
23	03997500	GEARRING T/U	1			0,650	9	21	0		278,551
26	01440401	SUPPORT	1			0,106	1	21	5		
27	50165400	ALL.SCR.M 8X 16	2	M 8 x 16 DIN 912-8.8 A3C		0,009	4	21	1		2,6845

**ORYGINALNE CZĘŚCI ZAMIENNE SERWIS GWARANCYJNY I POGWARANCYJNY WYMIARY
SERWISOWE ORAZ KATALOGI CZĘŚCI ZAMIENNYCH NA STRONIE WWW.WOBIS.PL/SERWIS**

Pos.	Part no.	Description	Qty.	Notice	Add. notice	kg	EA	TA	DA	dDPW	List price
28	01248122	REGULATOR 12V	1	12V part was replaced by 01248123		0,050	0	21	7		
28	01425022	REGULATOR 24V	1	part was replaced by 01425023		0,050	0	21	7		
29	01440100	FASTENING PLATE	1			0,372	1	21	1		102,8755
30	50380800	CTR.SUNK SCR.M6X10	2	M 6 x 10 DIN 7991 -8.8 A3C		0,003	4	21	1		2,5935
31	50373700	PLUG SLEEVE HOUSING	1			0,005	4	21	1		16,835
32	50373600	PIN TERM.HOUS.6 WAY	1			0,007	4	21	1		16,835
33	50216300	WASHER 5,3	2	5,3 DIN 125-St A3C		0,001	4	11	1		0,455
34	50335700	HEXSCREW M 5X 25	2	M 5 x 25 DIN 933-8.8 A3C		0,005	4	11	1		1,4105
35	50402100	PLUG SLEEVE HOUSING	1	4-P.		0,003	4	21	1		26,2535
36	50402000	PLUG HOUSING 4-P.	1			0,002	4	21	1		26,2535
37	50358400	STRAP	4	200 x 4,8 mm SCHWARZ		0,001	4	11	1		0,6825
38	01440500	SUPPORT	1			0,020	1	21	1		13,013
41	_nopart	Not in this engine	-								
42	05023900	CLIP	2			0,006	1	21	1		7,553
43	50379700	PLUG HOUSING 2-P.	1			0,002	4	21	1		12,9675
44	01439400	WIRING HARNESS	1			0,020	1	21	1		93,821
46	_nopart	Not in this engine	-								
47	_nopart	Not in this engine	-								
48	_nopart	Not in this engine	-								
49	_nopart	Not in this engine	-								
50	_nopart	Not in this engine	-								
51	_nopart	Not in this engine	-								
52	_nopart	Not in this engine	-								
53	_nopart	Not in this engine	-								
54	_nopart	Not in this engine	-								
55	_nopart	Not in this engine	-								
56	_nopart	Not in this engine	-								
57	_nopart	Not in this engine	-								
58	_nopart	Not in this engine	-								

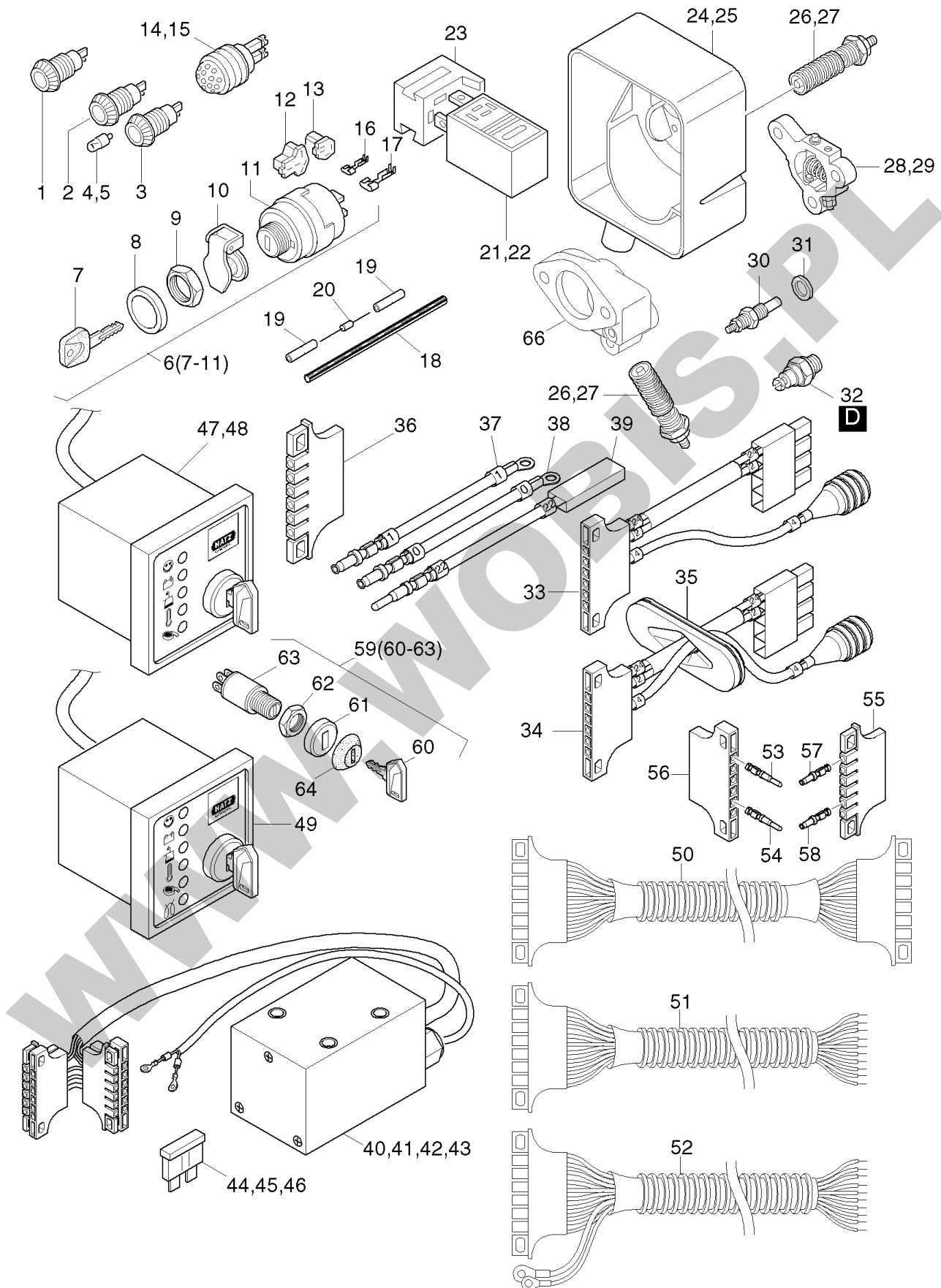


**ORYGINALNE CZĘŚCI ZAMIENNE SERWIS GWARANCYJNY I POGWARANCYJNY WYMIARY
SERWISOWE ORAZ KATALOGI CZĘŚCI ZAMIENNYCH NA STRONIE WWW.WOBIS.PL/SERWIS**

Pos.	Part no.	Description	Qty.	Notice	Add. notice	kg	EA	TA	DA	dDPW	List price
1	01457700	INSTRUMENT BOX 24V	1	24 V		1,711	1	21	0		1892,6635
1	01407000	INSTRUMENT BOX 12V	1	12 V		1,740	1	21	5		1750,3395
2	40028200	HEX.NUT M 5	1	M 5 DIN 980-8 C3A		0,002	4	11	1		2,6845
3	00716311	INSTRUMENT BOX	1			0,760	1	21	2		210,0735
4	50289200	HEXSCREW M 6X 12	4	M 6 x 12 KZ 1-8.8 A3D		0,005	4	11	1		1,8655
5	50160800	CLOSING PLUG 10MM	2	F 5 14x10,7x7,5 SCHW.		0,001	4	11	1		2,3205
6	50159011	MALE CABLE COUPLING	1	NH 13,5		0,010	4	21	2		26,2535
7	50049300	FILL.HEAD SCR.M5X10	3	M 5 x 10 DIN 7985-8.8 A3R		0,003	4	11	1		2,2295
8	50159100	HEXAGON NUT CE 13 M	1	CE 13 M		0,001	4	11	1		5,7785
9	50160700	CONNECTING BLOCK	1			0,150	4	21	2		78,169
10	50158800	ALL.SCR. M 4X 20	2	M 4 x 20 DIN 84 - 4.8 A3C		0,003	4	21	2		1,4105
11	03666700	BRACKET	2			0,015	1	21	2		12,3305
12	50147100	HEXAGON NUT M 4	2	M4 DIN 934 - 8 A3C		0,001	4	11	1		0,455
13	05004300	MARK	1			0,001	1	21	2		5,369
14	50276502	GLOW START.SWITCH	1			0,191	4	21	2		287,105
15	50345300	SWITCH BOX KEY	1	14603		0,004	4	12	1		28,847
16	_noorder	No single order	-								
17	_noorder	No single order	-								
18	_noorder	No single order	-								
19	_noorder	No single order	-								
20	50176500	INDICATOR LAMP BAT	1	BATT.		0,012	4	21	2		25,0705
21	50176600	INDICATOR LAMP OIL	1	OIL		0,012	4	21	2		25,0705
22	50176400	INDICATOR LAMP TEMP	1	TEMP.		0,012	4	21	2		25,0705
24	40096000	CLOSING PLUG	0... 3	F17 SCHW.		0,002	4	11	1		2,3205
25	03509211	FRONT PART	1			0,320	1	21	2		93,457
26	40009800	BULB 24V-2W	0... 4	24 V - 2 W		0,002	4	21	4		10,6925
26	40009700	BULB 12V-2W	0... 4	12 V - 2 W		0,002	4	21	2		8,099
27	40091400	CLOSING CAP	0... 2	F24 SCHW.		0,004	4	21	2		3,6855
28	01150101	DIODE CPL.	1			0,005	1	21	2		16,835
29	49050900	COVER	1			0,016	4	23	1		42,9065

**ORYGINALNE CZĘŚCI ZAMIENNE SERWIS GWARANCYJNY I POGWARANCYJNY WYMIARY
SERWISOWE ORAZ KATALOGI CZĘŚCI ZAMIENNYCH NA STRONIE WWW.WOBIS.PL/SERWIS**

Pos.	Part no.	Description	Qty.	Notice	Add. notice	kg	EA	TA	DA	dDPW	List price
30	50276600	PLUG SLEEVE HOUSING	1	4 - P		0,006	4	21	2		10,01
31	50276700	PLUG SLEEVE HOUSING	1	6 - P		0,005	4	21	2		12,0575
32	01090201	DIODE CPL.	1			0,003	1	21	2		16,835
33	01089801	DIODE CPL.	1			0,008	1	21	4		23,3415
34	01089901	DIODE CPL.	1			0,007	1	21	4		26,2535
35	50358400	STRAP	1	200 x 4,8 mm SCHWARZ		0,001	4	11	1		0,6825
36	50276000	SOCKET	1			0,021	4	21	2		23,023
37	50275902	RELAY ENG.PROT. 24V	1	24 V HATZ MSR		0,050	4	21	4		495,586
37	50275802	RELAY ENG.PROT. 12V	1	12 V HATZ MSR		0,050	4	21	2		448,2205
39	50403600	GLOW PLUG INDICATOR	1	12 - 24 V		0,110	4	21	4		176,358
41	50272200	OIL PRESSURE SWITCH	1	12 - 24V Oil n > 2300 min-1		0,031	4	21	1		45,8185
42	50268600	TEMP.SWITCH C-HD220	1	TEMP. 12-24V		0,016	4	21	1		172,1265
43	01468200	HEATER FLANGE	1			0,070	0	21	7		
45	05035101	AIRFILTER HOUSING	1	(24 V) part was replaced by 05035110		0,000	0	21	7		
46	50403700	GLOW PLUG 12V	1	24 V Widerstand, resistor		0,082	4	21	4		160,979
47	01192702	WIRING HARNESS	1	2000		0,850	9	21	3		
49	05162400	BUSH 10,4X14X4	1	10,4 x 14 x 4		0,002	1	21	2		7,5985
D	50223300	LOCTITE 221	1	50 ML		0,077	4	12	0		99,0535

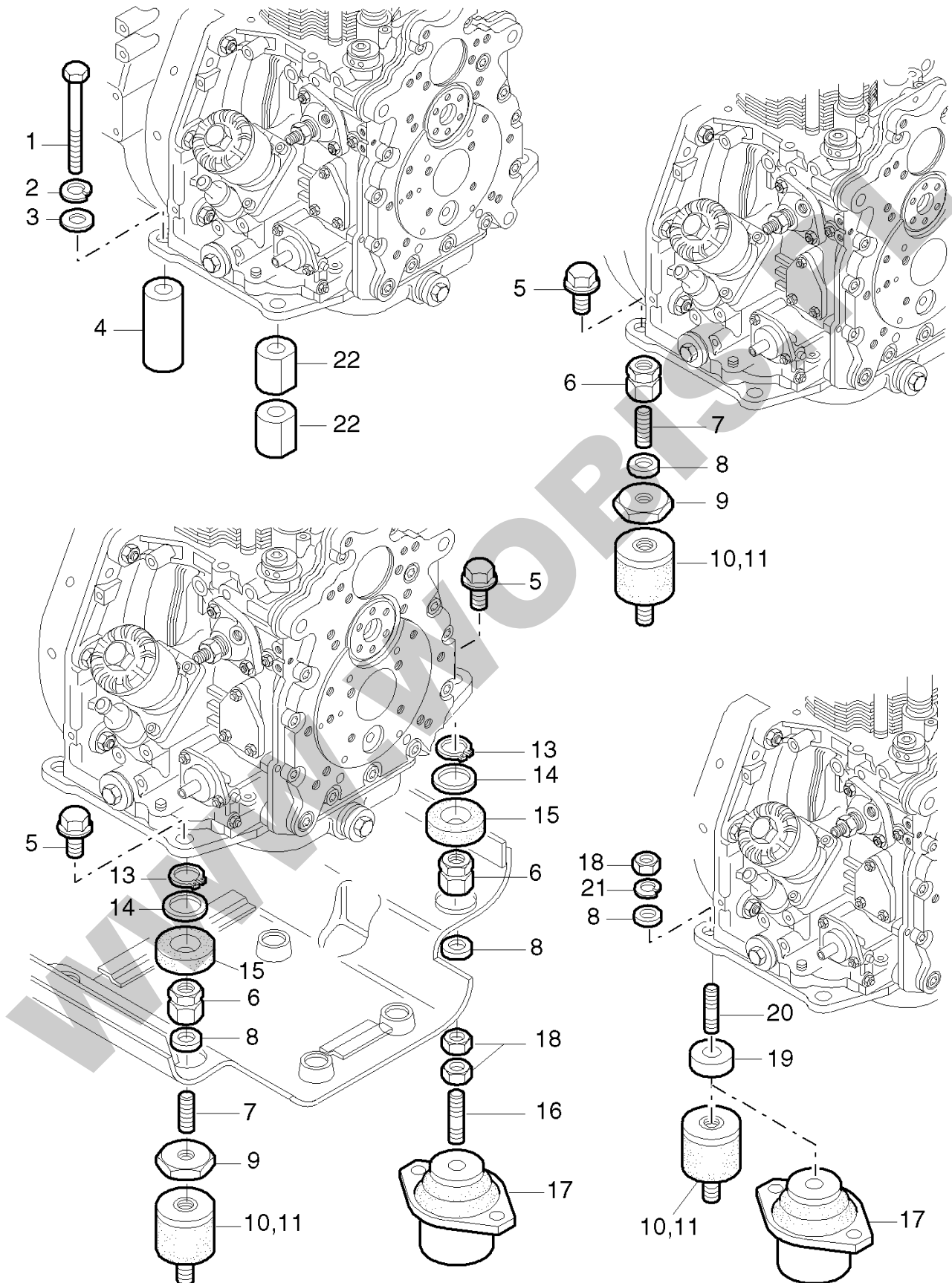


**ORYGINALNE CZĘŚCI ZAMIENNE SERWIS GWARANCYJNY I POGWARANCYJNY WYMIARY
SERWISOWE ORAZ KATALOGI CZĘŚCI ZAMIENNYCH NA STRONIE WWW.WOBIS.PL/SERWIS**

Pos.	Part no.	Description	Qty.	Notice	Add. notice	kg	EA	TA	DA	dDPW	List price
1	50176500	INDICATOR LAMP BAT	1	BATT.		0,012	4	21	2		25,0705
2	50176400	INDICATOR LAMP TEMP	1	TEMP.		0,012	4	21	2		25,0705
3	50176600	INDICATOR LAMP OIL	1	OIL		0,012	4	21	2		25,0705
4	40009700	BULB 12V-2W	0... 3	12 V - 2 W		0,002	4	21	2		8,099
5	40009800	BULB 24V-2W	0... 3	24 V - 2 W		0,002	4	21	4		10,6925
6	50276502	GLOW START.SWITCH	1			0,191	4	21	2		287,105
7	50345300	SWITCH BOX KEY	1	14603		0,004	4	12	1		28,847
8	_noorder	No single order	-								
9	_noorder	No single order	-								
10	49050900	COVER	1			0,016	4	23	1		42,9065
11	_noorder	No single order	-								
12	50276700	PLUG SLEEVE HOUSING	1	6 - P		0,005	4	21	2		12,0575
13	50276600	PLUG SLEEVE HOUSING	1	4 - P		0,006	4	21	2		10,01
14	50403600	GLOW PLUG INDICATOR	1	12 - 24 V		0,110	4	21	4		176,358
15	_nopart	Not in this engine	-								
16	40074700	PLUG SLEEVE	5	B 6,3 - 2,5 BZ		0,001	4	21	1		3,003
17	50276800	PLUG SLEEVE	4	9,5 - 6A		0,002	4	21	2		6,3245
18	03670000	INSUL.HOSE 120MM	2	4 x 120 mm		0,001	1	21	4		3,094
19	50189200	MULTIPOLE CONNECTOR	4	EHQ 453-1		0,001	4	21	2		1,5925
20	50344400	DIODE	2	DIODE		0,001	4	21	2		2,4115
21	50275802	RELAY ENG.PROT. 12V	0... 1	12 V HATZ MSR		0,050	4	21	2		448,2205
22	50275902	RELAY ENG.PROT. 24V	0... 1	24 V HATZ MSR		0,050	4	21	4		495,586
23	50276000	SOCKET	1			0,021	4	21	2		23,023
24	05035110	AIRFILTER HOUSING	0... 1	(24 V)		0,920	1	21	4		220,493
25	_nopart	Not in this engine	-								
26	50403700	GLOW PLUG 12V	0... 1	24 V Widerstand, resistor		0,082	4	21	4		160,979
27	_nopart	Not in this engine	-								
28	01468201	HEATER FLANGE	1	12 - 24 V		0,000	1	21	4		315,6335
29	_nopart	Not in this engine	-								
30	50268600	TEMP.SWITCH C-HD220	1	TEMP. 12-24V		0,016	4	21	1		172,1265

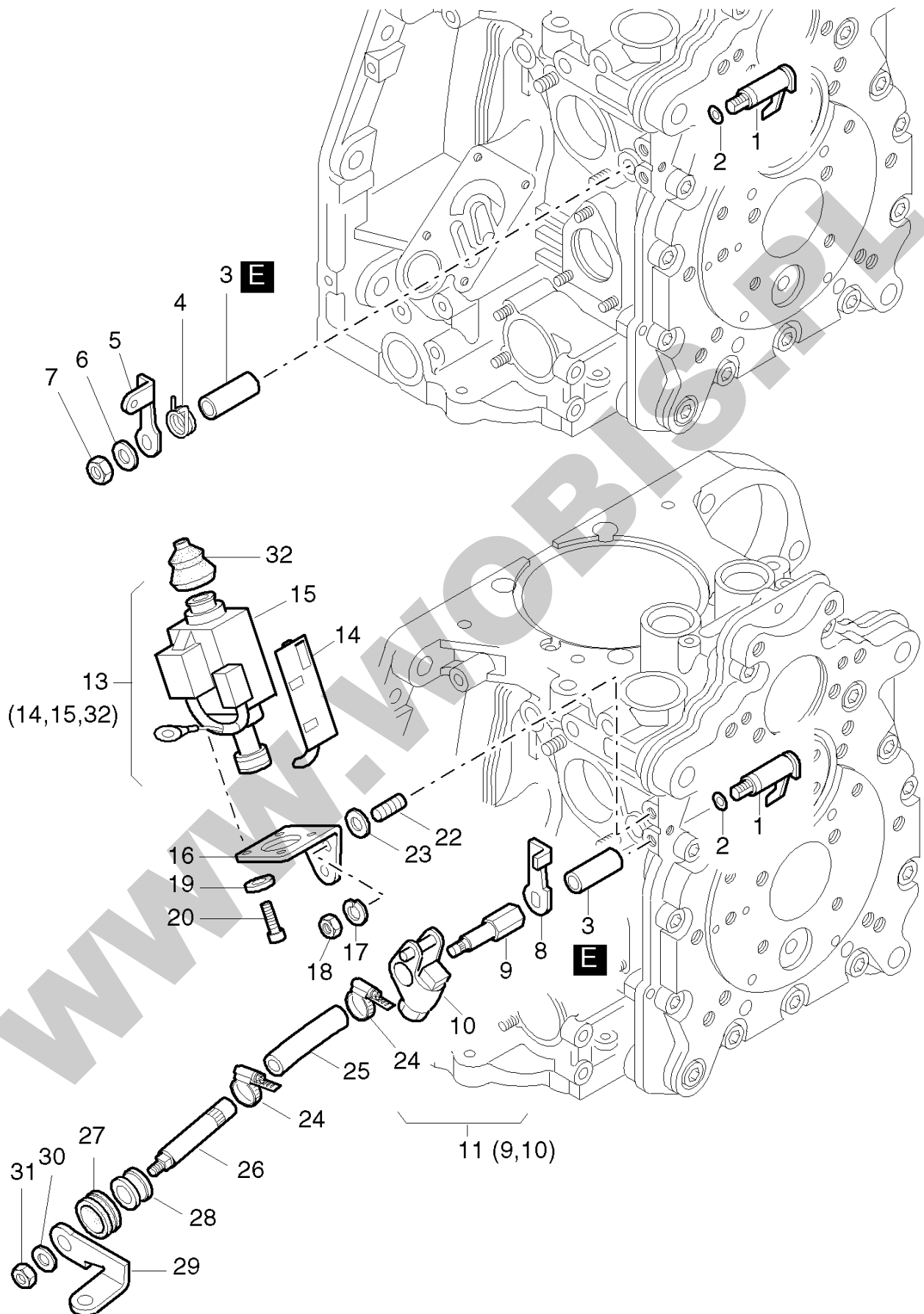
**ORYGINALNE CZĘŚCI ZAMIENNE SERWIS GWARANCYJNY I POGWARANCYJNY WYMIARY
SERWISOWE ORAZ KATALOGI CZĘŚCI ZAMIENNYCH NA STRONIE WWW.WOBIS.PL/SERWIS**

Pos.	Part no.	Description	Qty.	Notice	Add. notice	kg	EA	TA	DA	dDPW	List price
31	05162400	BUSH 10,4X14X4	1	10,4 x 14 x 4		0,002	1	21	2		7,5985
32	50272200	OIL PRESSURE SWITCH	1	12 - 24V Oil n > 2300 min-1		0,031	4	21	1		45,8185
33	01403620	WIRING HARNESS	1			0,027	1	21	1		94,7765
34	_nopart	Not in this engine	-								
35	_nopart	Not in this engine	-								
36	50373700	PLUG SLEEVE HOUSING	1			0,005	4	21	1		16,835
37	01574300	ELECTRIC WIRE 350MM	1	(1)		0,025	1	21	1		23,7965
38	01574402	ELECTRIC WIRE 450MM	1	(0)		0,011	1	21	1		20,111
39	01526800	ELECTR.WIRE 360 MM	1	(22)		0,011	1	21	1		27,1635
40	01589300	POWERBOX 12V	1	12 V Powerbox II		0,671	1	21	2		1143,051
41	01595700	POWERBOX 24V	1	24 V Powerbox II		0,300	1	21	4		933,205
42	01591000	POWERBOX 12 V	1	12 V Powerbox III		0,612	1	21	4		1097,5965
43	01591100	POWERBOX 24V	1	24 V Powerbox III		0,617	1	21	4		1139,957
44	50430400	FUSE LINK 15A	0... 1	15 A		0,002	4	31	0		3,8675
44	50459300	FUSE LINK 10A	0... 1	10 A		0,002	4	21	4		10,829
45	50430700	FUSE LINK 30A	0... 1	30 A		0,002	4	31	0		3,8675
46	50433000	FUSE LINK 40A	1... 2	40 A part run out no successor		0,001	4	31	0		3,913
47	01551802	INSTRUMENT BOX 12V	1	12 V, A 1		0,989	1	21	2		938,2555
48	01569702	INSTRUMENT BOX 24V	1	24 V, A 1		0,998	1	21	4		1287,0585
49	01558901	INST.BOX 12/24V AUT	1	12 V / 24 V, Aut.		1,081	1	21	2		2114,7945
50	01611200	WIRING HARNESS	1	K 1 - 2 m		0,613	1	21	2		375,6935
51	01549801	WIRING HARNESS 2M	1	K 2 - 2 m		0,606	1	21	2		292,838
52	01192710	WIRING HARNESS	1	K 3 - 2 m		0,838	1	21	2		341,614
53	50374300	PIN TERM. 2,5-4,0	1	2,5 - 4,0		0,001	4	21	1		4,4135
54	50374100	PIN TERM. 0,5-1	5	0,5 - 1,0		0,001	4	21	1		4,4135
55	50373700	PLUG SLEEVE HOUSING	1			0,005	4	21	1		16,835
56	50373600	PIN TERM.HOUS.6 WAY	1			0,007	4	21	1		16,835
57	50373800	SLEEVE 0,5-1,0	5	0,5 - 1,0		0,001	4	21	1		4,4135
58	50373900	SLEEVE 1,5-2,5	1	1,5 - 2,5		0,001	4	21	1		4,4135



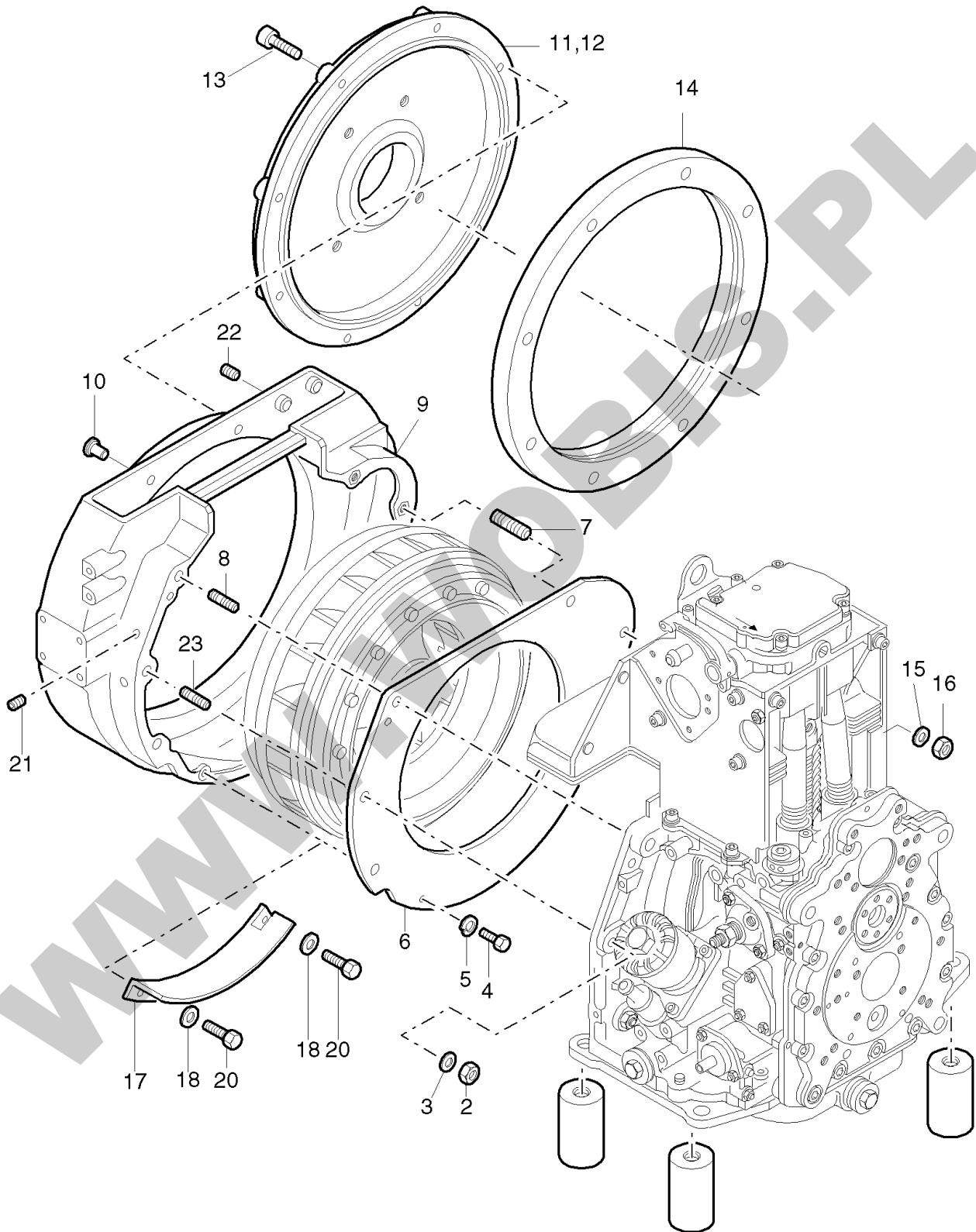
**ORYGINALNE CZĘŚCI ZAMIENNE SERWIS GWARANCYJNY I POGWARANCYJNY WYMIARY
SERWISOWE ORAZ KATALOGI CZĘŚCI ZAMIENNYCH NA STRONIE WWW.WOBIS.PL/SERWIS**

Pos.	Description	Notice
1	M10 x ... DIN 933 measure length	
2	SPRING WASHER 10	A 10 DIN 128
3	DISC 10,5	10,5 x 25 x 4 DIN 7349 A3C
4	BUSH 13X36X52	13 x 36 x 52
4	SPACER TUBE	13 x 36 x 13
5	HEXSCREW M10X 20	M 10 x 20 A3C W 158.12 - 10.9
6	NUT M10 X 27,5	M 10 x 27,5
7	GRUB SCREW M10X30	M 10 x 30
8	DISC 10,5	10,5 x 25 x 4 DIN 7349 A3C
9	DISC 10,5X55X5	10,5 x 55 x 5
10	ANTI VIBR.MOUNTINGS	40 Shore
11	ANTI VIBR.MOUNTINGS	55 Shore
13	Not in this engine	
14	Not in this engine	
15	Not in this engine	
16	Not in this engine	
17	HYDRO BUFFER	V 12 / 600
18	HEXAGON NUT M 10	M 10 DIN 934-8 A3C
19	SPACER TUBE	13 x 36 x 13
20	STUD M10X 40	M 10 x 40 DIN 939
21	SPRING WASHER 10	10 DIN 128 A3C
22	SPAC.SLEEV.52 CHAMF	f. Höhe 52, f. height 52
22	SPAC.DISC 13 CHAMF.	f. Höhe 13, f. height 13



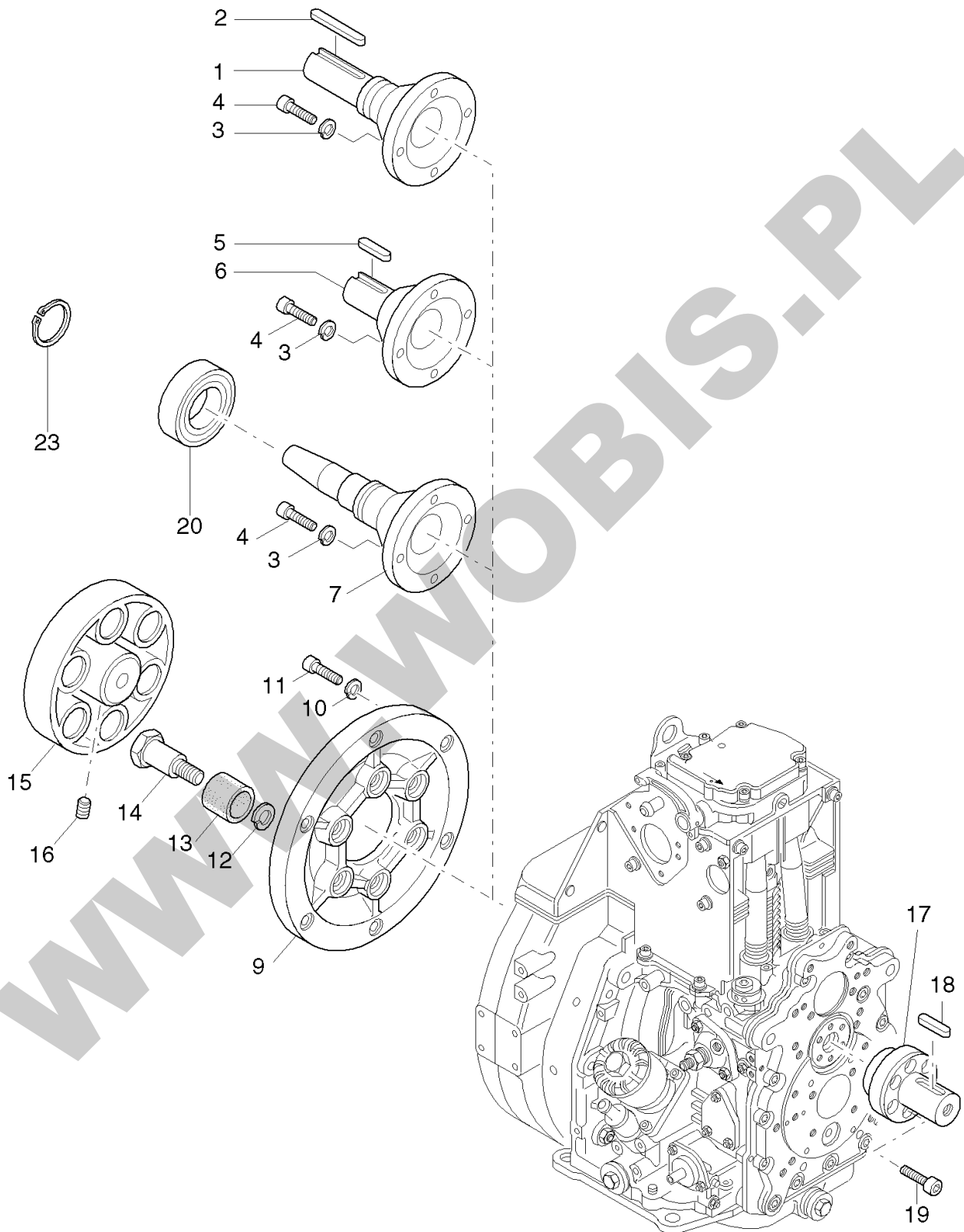
**ORYGINALNE CZĘŚCI ZAMIENNE SERWIS GWARANCYJNY I POGWARANCYJNY WYMIARY
SERWISOWE ORAZ KATALOGI CZĘŚCI ZAMIENNYCH NA STRONIE WWW.WOBIS.PL/SERWIS**

Pos.	Part no.	Description	Qty.	Notice	Add. notice	kg	EA	TA	DA	dDPW	List price
1	01254603	LEVER CPL.	1			0,020	1	21	5		
2	50343300	O-RING 4,6 X 1,85	1	4,6 x 1,85		0,001	4	21	1		1,092
3	04021400	BUSH	1			0,007	1	21	1		22,0675
4	04021800	SPRING	1			0,002	1	11	1		6,6885
5	04021700	LEVER	1			0,011	1	21	1		11,5115
6	50144500	FLAT WASHER 6,4	1	6,4 DIN 125-St A3C		0,001	4	11	1		0,455
7	50328300	HEXAGON NUT VM6	1	VM 6 DIN 980-8 A3C		0,002	4	11	1		1,4105
8	05015101	SUPPORT	1			0,005	1	21	2		19,7925
9	_noorder	No single order	-								
10	01493110	LEVER F.STOP MAGNT.	1	part was replaced by 01493111		0,015	0	21	7		
11	01515300	SHAFT+LEVER STOPMAG	1			0,035	1	22	2		53,1895
13	01515500	LIFTING MAGNET 12V	1	12 V		0,412	1	22	2		804,0305
13	01515400	LIFTING MAGNET 24V	1	24 V		0,412	1	22	2		804,0305
14	05058400	CABLE HOLDER	1			0,014	1	21	2		13,104
15	_noorder	No single order	-								
16	05023501	CONSOLE	1			0,039	1	21	2		17,5175
17	50170900	SPRING WASHER 6	2	6 DIN 128 - A3C		0,001	4	11	1		0,455
18	50144400	HEXAGON NUT M 6	2	M 6 DIN 934 - 8 A3C		0,002	4	11	1		1,2285
19	50216300	WASHER 5,3	3	5,3 DIN 125-St A3C		0,001	4	11	1		0,455
20	50112600	ALL.SCR.M 5X 10	4	M 5 x 10 DIN 6912-8.8 A3C		0,003	4	11	1		2,6845
22	50366800	STUD M 6X12	2	M 6 x 12 DIN 835-8.8 A3C		0,004	4	11	1		4,186
23	50114300	DISC 6,4	2	6,4 x 17 x 3 DIN 7349 A3C		0,005	4	11	1		2,3205
24	_nopart	Not in this engine	-								
25	_nopart	Not in this engine	-								
26	_nopart	Not in this engine	-								
27	_nopart	Not in this engine	-								
28	_nopart	Not in this engine	-								
29	_nopart	Not in this engine	-								
30	_nopart	Not in this engine	-								
31	_nopart	Not in this engine	-								



**ORYGINALNE CZĘŚCI ZAMIENNE SERWIS GWARANCYJNY I POGWARANCYJNY WYMIARY
SERWISOWE ORAZ KATALOGI CZĘŚCI ZAMIENNYCH NA STRONIE WWW.WOBIS.PL/SERWIS**

Pos.	Part no.	Description	Qty.	Notice	Add. notice	kg	EA	TA	DA	dDPW	List price
2	50145800	HEXAGON NUT M 10	4	M 10 DIN 934-8 A3C		0,011	4	11	1		2,002
3	50145900	FLAT WASHER 10,5	4	B 10,5 DIN 125-St A3C		0,004	4	11	1		1,4105
4	_nopart	Not in this engine	-								
5	50170900	SPRING WASHER 6	2	6 DIN 128 - A3C		0,001	4	11	1		0,455
6	04136500	PARTING SHEET	1	part was replaced by 04136501		0,000	0	11	7		
7	50475000	STUD M12FO X40	2	M 12 x 40 DIN 835-8.8 A3C		0,046	4	11	1		8,463
8	50040900	STUD M10X 35	3	M 10 x 35 DIN 835 - 8.8		0,029	4	11	1		4,186
9	04136410	INTERMED.HOUS.SAE 5	1	SAE 5		0,000	0	11	7		
10	50421600	CLOSING PLUG	8	12		0,001	4	11	1		1,638
11	03953402	HOUSING EXTERN.BEAR	1	SAE "B" Ø 146,1		3,590	1	21	2		925,652
12	03953502	INTERMED.HOUS.SAE B	1	SAE "B" Ø 177,8		3,587	1	21	4		947,31
13	50054700	ALL.SCR.M10X 45	8	M 10 x 45 DIN 912 - 8.8		0,037	4	21	2		3,458
14	03954401	INTERMEDIATE RING	1	SAE 5		1,870	1	21	2		746,291
15	50093700	FLAT WASHER A 13	2	13 DIN 125-St A3C		0,006	4	11	1		1,729
16	50093600	HEXAGON NUT M 12	2	M12 DIN 934-8 A3C		0,017	4	11	1		2,6845
17	_nopart	Not in this engine	-								
18	_nopart	Not in this engine	-								
20	_nopart	Not in this engine	-								
21	50395600	GRUB SCREW M 12X1,5	2	M 12 x 1,5 DIN 906 A3C		0,060	4	11	0		3,8675
22	50226000	GRUB SCREW M 8X6	4	M 8 x 6 DIN 913-45H TU.FLEC		0,002	4	11	1		3,9585
23	50041200	STUD M10X 45	1	M 10 x 45 DIN 835 - 8.8		0,035	4	11	1		4,732



**ORYGINALNE CZĘŚCI ZAMIENNE SERWIS GWARANCYJNY I POGWARANCYJNY WYMIARY
SERWISOWE ORAZ KATALOGI CZĘŚCI ZAMIENNYCH NA STRONIE WWW.WOBIS.PL/SERWIS**

Pos.	Part no.	Description	Qty.	Notice	Add. notice	kg	EA	TA	DA	dDPW	List price
1	03952001	SHAFT 25,4X161,0	1	2 ø 1" ZENTR.100		1,525	1	21	4		641,186
2	03962700	FITTINGKEY A6,35X63	1	A 6,35 x 63 part was replaced by 05141600		0,000	0	11	7		
3	50208500	SPRING WASHER 8	4	8 DIN 128 A3C		0,001	4	11	1		1,4105
4	50171500	ALL.SCR.M 8X 25	4	M 8 x 25 DIN 912-8.8 A3C		0,015	4	11	1		2,457
5	50011500	FITTINGKEY A 8X7X35	1	A 8 x 7 x 35 DIN 6885		0,014	4	21	2		3,367
6	03954300	SHAFT 30X100	1	2 ø 30 mm ZENTR.100		2,228	1	21	2		482,664
7	03953201	STUBSHFT.TAP.X177,5	1	4 (1") keg., con. ZENTR.100		1,580	1	21	2		561,743
9	03951700	FLANGE	1			1,850	1	21	4		331,331
10	50208500	SPRING WASHER 8	6	8 DIN 128 A3C		0,001	4	11	1		1,4105
11	50366300	ALL.SCR.M 8X 20	6	M 8 x 20 DIN 912-8.8 A3C		0,013	4	11	1		2,3205
12	50061601	SPRING WASHER 12	6	VHZ 12		0,002	4	21	2		1,2285
13	03151000	RUBBER SHELL	6	SCHLAUCHST		0,015	1	21	2		13,5135
14	03046900	TAPPET	6			0,090	1	21	2		34,9895
15	03004602	COUNTER FLANGE	1			2,270	1	21	4		554,372
16	50004600	GRUB SCREW M 8X16	1	M 8 x 16 DIN 916-45H A3C		0,003	4	11	1		2,912
17	05007400	STUBSHAFT 25X65	1	25 x 65 ZENTR. 30		0,500	1	21	4		634,452
18	50011500	FITTINGKEY A 8X7X35	1	A 8 x 7 x 35 DIN 6885		0,014	4	21	2		3,367
19	50170700	ALL.SCR.M 6 X 16	6	M 6 x 16 DIN 912-8.8 A3C		0,006	4	11	1		1,729
20	50479800	BALL REARING	1	EC 6307 LLu C3/2A		0,448	4	21	2		172,2175
23	50021100	CIRCLIP 35X1,5	1	A 35 x 1,5 DIN 471		0,003	4	21	2		3,6855

