

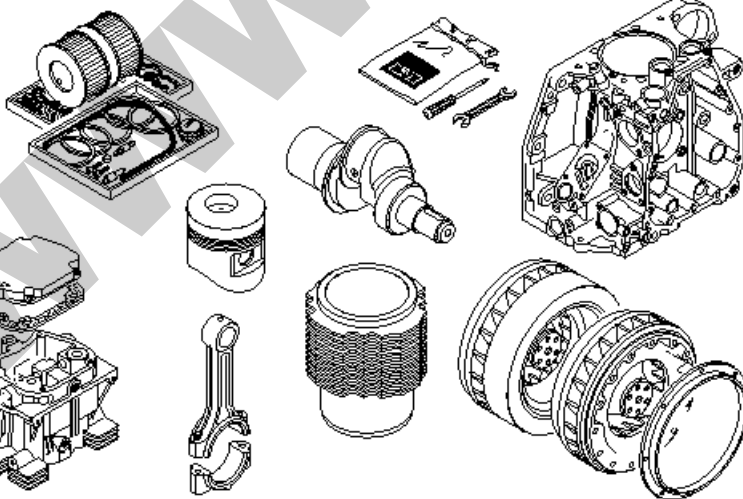
S
Z
T
U

1D41.17

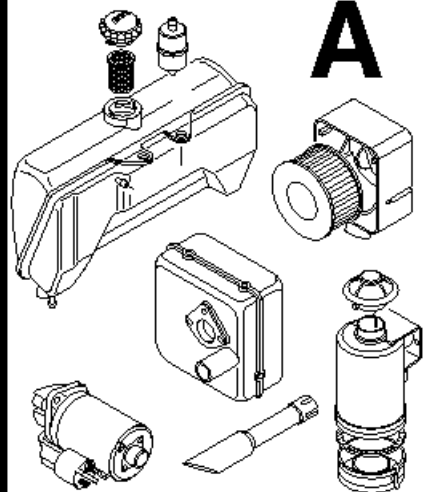


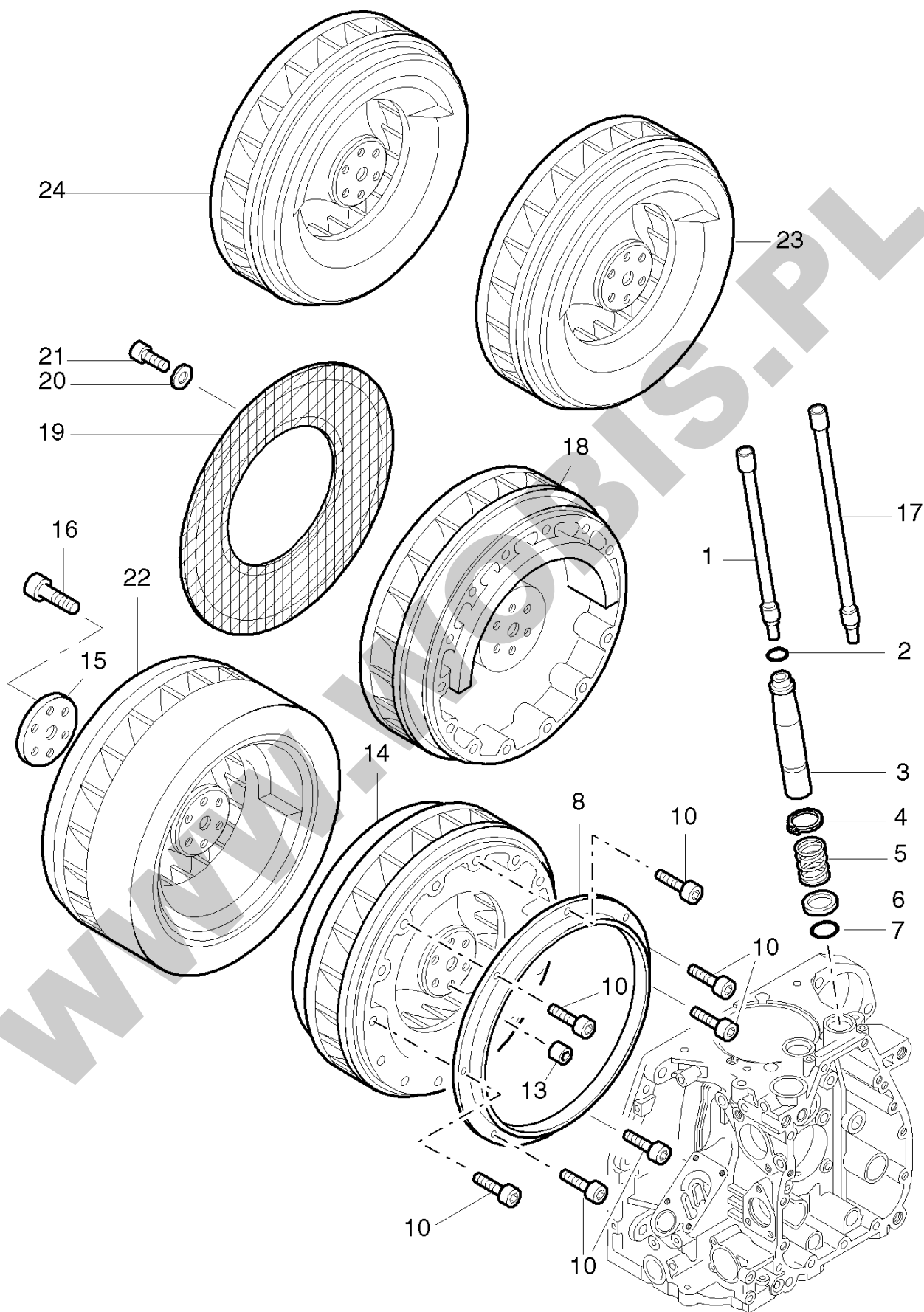
C

M



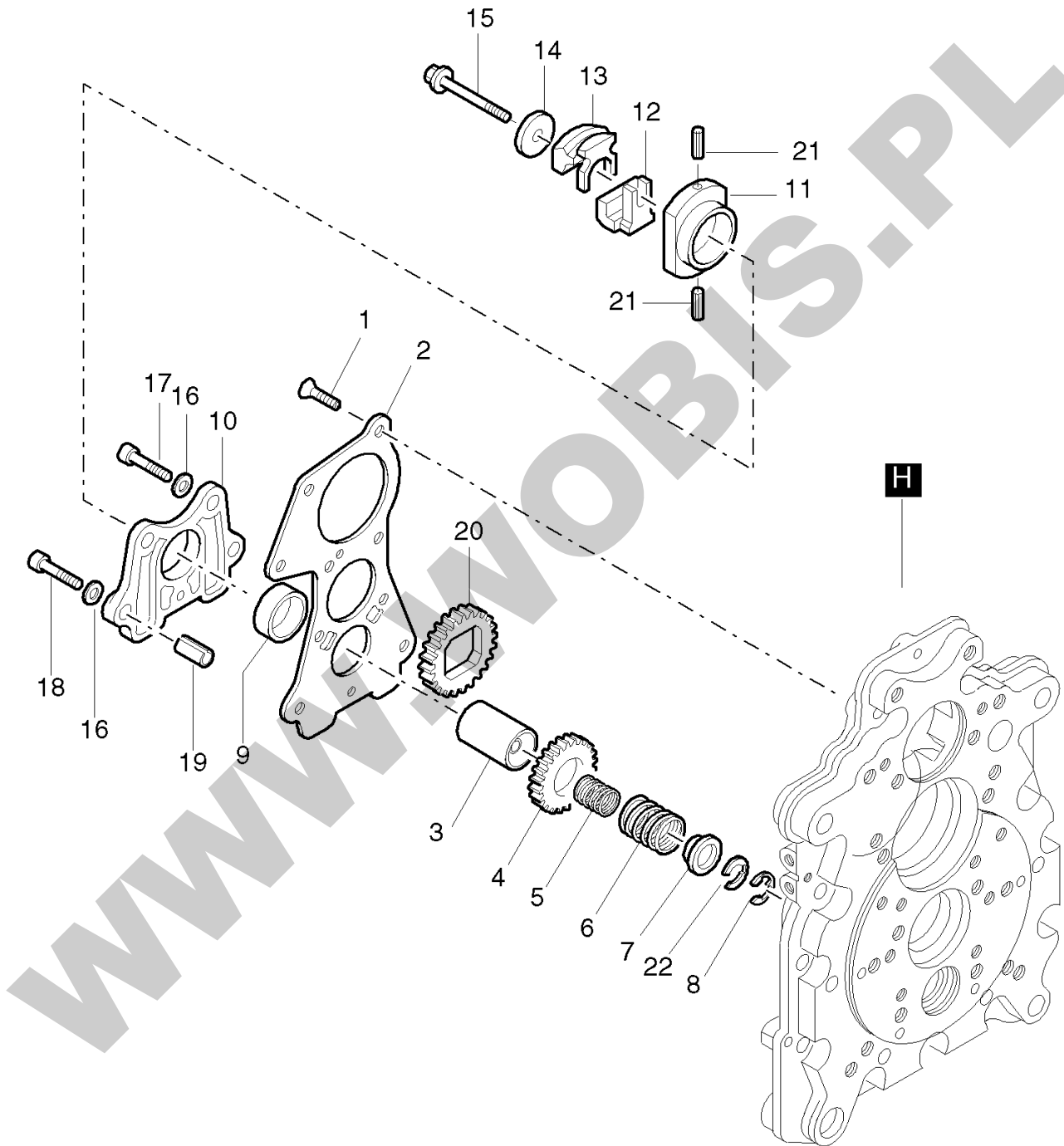
A





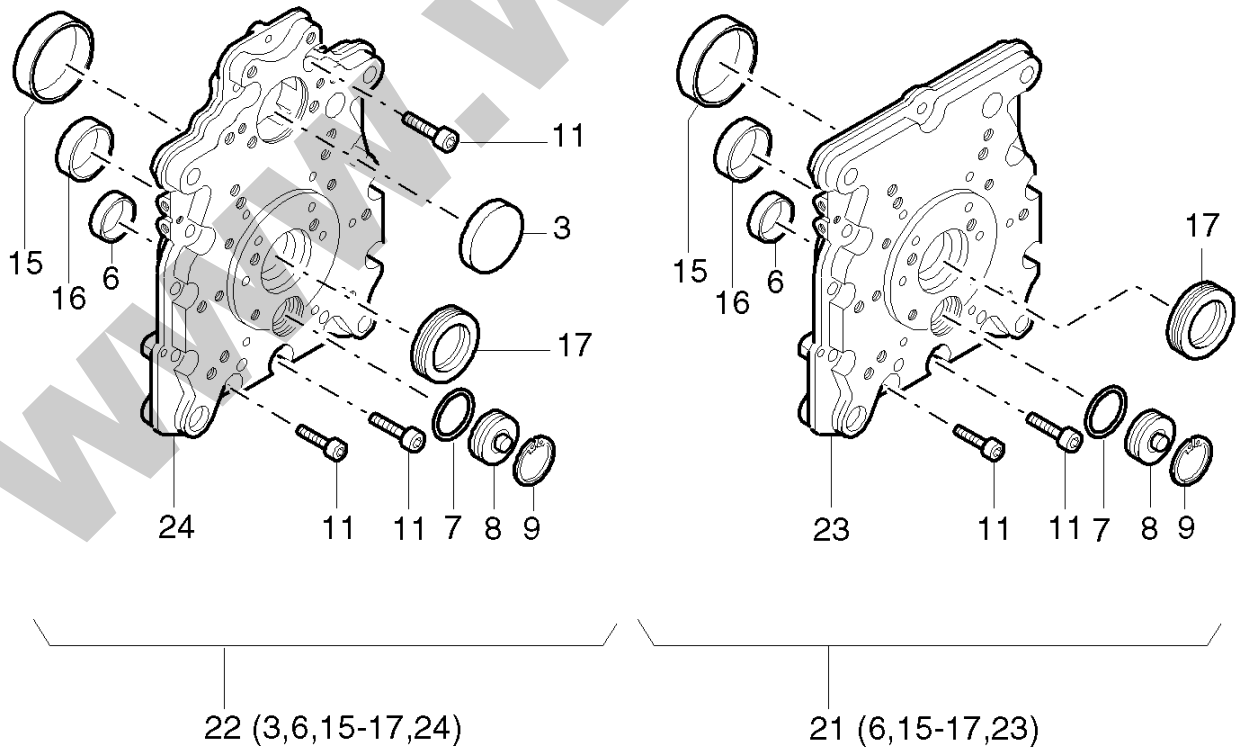
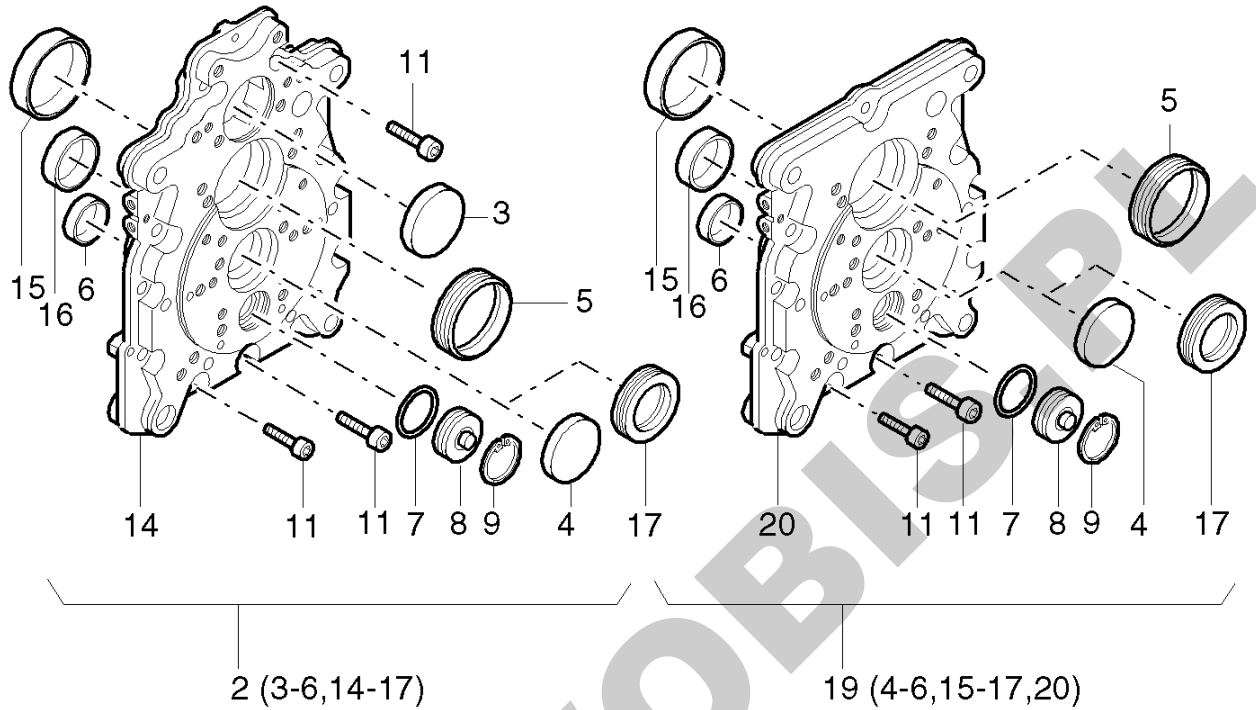
**ORYGINALNE CZĘŚCI ZAMIENNE SERWIS GWARANCYJNY I POGWARANCYJNY WYMIARY
SERWISOWE ORAZ KATALOGI CZĘŚCI ZAMIENNYCH NA STRONIE WWW.WOBIS.PL/SERWIS**

Pos.	Part no.	Description	Qty.	Notice	Add. notice	kg	EA	TA	DA	dDPW	List price
1	01259310	PUSHROD	2			0,048	1	11	1		121,6215
2	50330200	O-RING 19X3 N	2	19 x 3		0,001	4	11	1	d2	4,1405
3	04027200	PROTECTION TUBE	2			0,064	1	11	1		37,947
4	50347000	CIRCLIP AS 24X1,75	2	AS 24 x 1,75 DIN 471		0,002	4	11	1	P2	6,0515
5	04002600	PRESSURE SPRING	2			0,015	1	11	1		9,737
6	04002000	PRESSURE RING	2			0,003	1	11	1		2,912
7	50411300	O-RING 23X3,5 GREEN	2	23 x 3,5 grün, green, vert, verde		0,002	4	11	1	d2	8,6905
8	04030601	RING F.FLYWHEEL	1			0,140	1	11	1		40,404
10	50397100	ALL.SCR.M 4 X 10	6	M 4 x 10 DIN 912-8.8 A3C Tuf.		0,002	4	11	1		2,3205
13	04033000	BUSH	1			0,004	1	11	1		8,554
14	04026120	FLYWHEEL "L"	1	part was replaced by 04026121		20,000	0	11	7		
15	04026600	RETAINING PLATE	1			0,020	1	11	1		16,835
16	50132800	ALL.SCR. M 10X 40	6	M 10 x 40 DIN 912 - 10.9		0,032	4	11	1		4,4135
17	01263610	PUSHROD T/U	1			0,058	1	11	0		141,6415
18	_nopart	Not in this engine	-								
19	_nopart	Not in this engine	-								
20	_nopart	Not in this engine	-								
21	_nopart	Not in this engine	-								
22	04079900	FLYWHEEL HEAVY	1	Schwungrad schwer part was replaced by 04079901		0,000	0	21	7		
23	04055800	FLYWHEEL"HEAVY" T/U	1	T-U Handstart		17,100	9	11	0		1229,5465
24	04110410	FLYWHEEL E-START T/U	1	E-start		11,600	9	21	0		1437,982



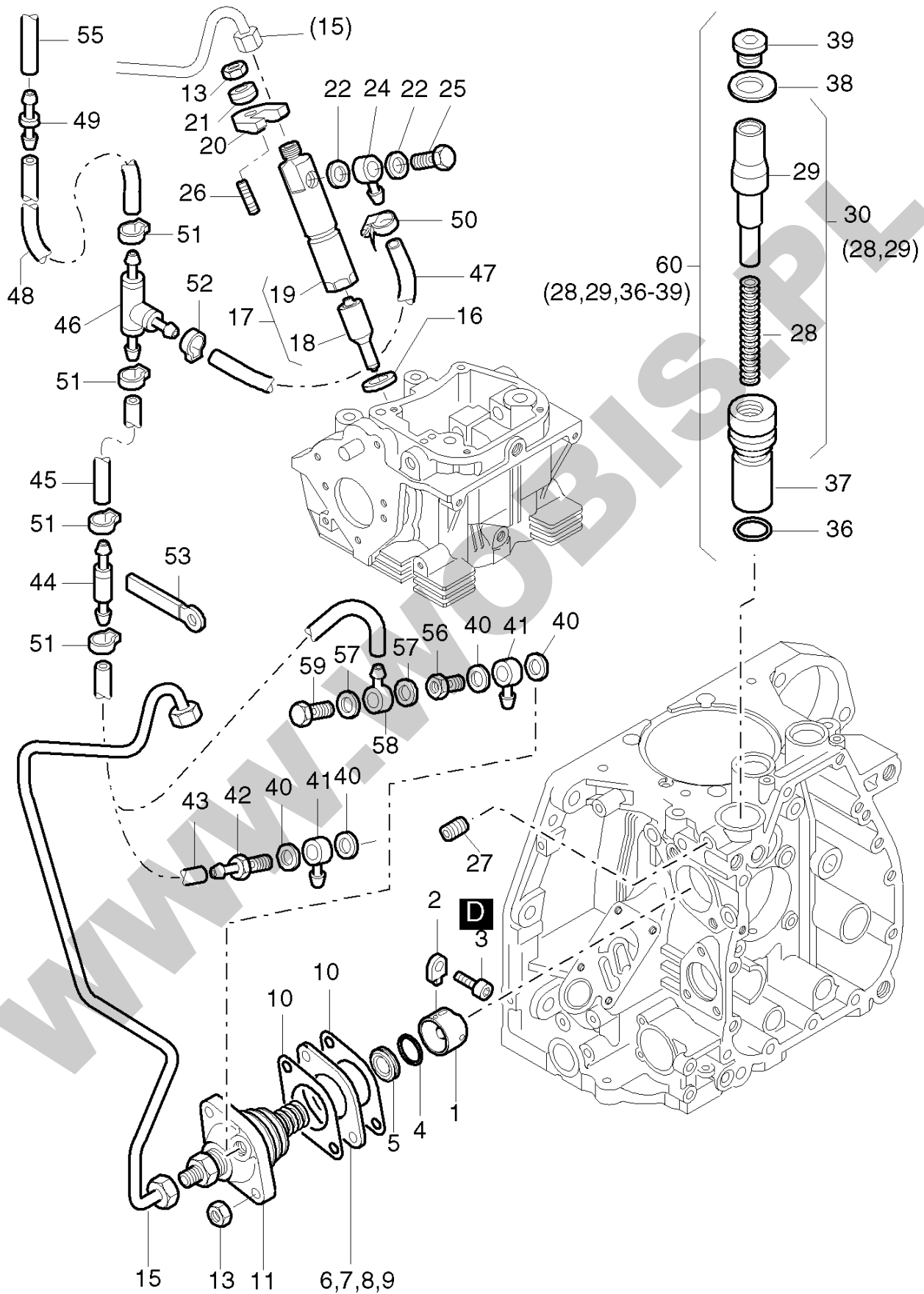
**ORYGINALNE CZĘŚCI ZAMIENNE SERWIS GWARANCYJNY I POGWARANCYJNY WYMIARY
SERWISOWE ORAZ KATALOGI CZĘŚCI ZAMIENNYCH NA STRONIE WWW.WOBIS.PL/SERWIS**

Pos.	Part no.	Description	Qty.	Notice	Add. notice	kg	EA	TA	DA	dDPW	List price
1	50328000	CTR.SUNK SCR.AM6X16	5	AM 6 x 16 17065 - 8.8 Zn		0,004	4	11	1		2,6845
2	03797412	COVER F. OIL PUMP	1			0,226	1	11	1		112,0665
3	01242401	SPRING CAPSULE+BUSH	1			0,090	1	11	1		187,9605
4	03797310	GEARWHEEL	1			0,056	1	11	1		148,5575
5	04008801	GOVERNOR SPRING 1,9	0... 1	ø 1,9 mm 1801...2300 min-1	*	0,006	1	11	1		11,6025
5	04052900	GOVERNOR SPRING 1,7	0... 1	ø 1,7 mm 1501...1800 min-1		0,006	1	11	1		12,649
5	04052800	GOVERNOR SPRING 1,6	0... 1	ø 1,6 mm ... 1500 min-1		0,006	1	11	1		12,0575
6	04089600	GOVERNOR SPRING 2,8	0... 1	ø 2,8 mm 3000 min-1 Gen.PV78		0,020	1	11	1		54,2815
6	04063400	GOVERNOR SPRING 2,8	0... 1	ø 2,8 mm 2301...3000 min-1	*	0,016	1	11	1		20,2475
6	04070800	GOVERNOR SPRING 2,6	0... 1	ø 2,6 mm 2301...2500 min-1		0,015	1	11	1		19,292
7	03798600	CUP	1			0,005	1	11	1		13,104
8	50334700	CIRCLIP 5	1	5 ME DIN 6799		0,001	4	11	1		0,455
9	03797600	BEARING BUSH	1			0,009	9	11	0		29,12
10	03797510	HOUSING FOR OILPUMP	1	part was replaced by 01869300		0,078	0	11	0		
11	03797701	PLATE CENTRIF.WEIGH	1			0,085	1	11	1		136,409
12	03798002	CENTRIFUGAL WEIGHT	1			0,056	1	11	1		94,549
13	03798102	CENTRIFUGAL WEIGHT	1			0,055	1	11	1		94,549
14	03797900	WASHER	1			0,008	1	11	1		24,661
15	03797801	PIN	1			0,016	1	11	1		49,049
16	50081200	SPRING WASHER A 6	5	A 6 DIN 137 - A3C		0,001	4	11	1		0,455
17	50170800	ALL.SCR.M 6X 25	3	M 6 x 25 DIN 912 - 8.8 A3C		0,008	4	11	1		1,8655
18	50051000	ALL.SCR.M 6X 30	2	M 6 x 30 DIN 912-8.8		0,009	4	11	1		1,729
19	50084901	PIN 8 X 12	2	8 x 12 DIN 7346 55 Si 7 2Fasen		0,003	4	11	1		1,4105
20	03798720	GEARWHEEL	1			0,061	1	11	1		136,955
21	50260501	ROLL PIN 2X10	2	2 x 10 ISO 8752-ST		0,001	4	11	1		1,0465
22	04046000	CIRCLIP	0... 3	0,5 mm		0,001	1	11	1		2,3205
H	50282501	SILICON SEALER	1	30ML 1207		0,055	4	12	1		48,23



**ORYGINALNE CZĘŚCI ZAMIENNE SERWIS GWARANCYJNY I POGWARANCYJNY WYMIARY
SERWISOWE ORAZ KATALOGI CZĘŚCI ZAMIENNYCH NA STRONIE WWW.WOBIS.PL/SERWIS**

Pos.	Part no.	Description	Qty.	Notice	Add. notice	kg	EA	TA	DA	dDPW	List price
2	_nopart	Not in this engine	-								
3	_nopart	Not in this engine	-								
4	50325700	COVER 52	1	52		0,021	4	11	1		22,659
5	50325810	OIL SEAL 54X 70X 8	1	54 x 70 x 8 part was replaced by 50325811		0,000	0	11	7	D1	
6	03797600	BEARING BUSH	1			0,009	9	11	0		29,12
7	50330400	O-RING 27X2N	1	27 x 2		0,001	4	11	1	D1	5,4145
8	04000400	COVER	1			0,005	1	11	1		27,30
9	50399000	CIRCLIP 32 X 1,2	1	JL 32 x 1,2 DIN 472		0,003	4	11	1		7,644
11	50417400	ALL.SCREW M 8X30 Z3	12	M 8 x 30 DIN 912-8.8 A3C/6900		0,017	4	11	1		3,367
14	_nopart	Not in this engine	-								
15	04000310	BEARING BUSH	1			0,036	1	11	1		105,9695
16	04023210	BEARING BUSH	1			0,020	1	11	1		58,513
17	50364700	OIL SEAL 32X 52X 7	1	32 x 52 x 7 part was replaced by 50364701		0,000	0	11	7		
19	01293410	TIMING COVER SAE	1	SAE		2,210	1	12	0		1097,5055
20	_noorder	No single order	-								
21	01280910	TIMING COVER NO.3	1			2,200	1	12	0		1111,929
22	_nopart	Not in this engine	-								
23	_noorder	No single order	-								
24	_nopart	Not in this engine	-								



**ORYGINALNE CZĘŚCI ZAMIENNE SERWIS GWARANCYJNY I POGWARANCYJNY WYMIARY
SERWISOWE ORAZ KATALOGI CZĘŚCI ZAMIENNYCH NA STRONIE WWW.WOBIS.PL/SERWIS**

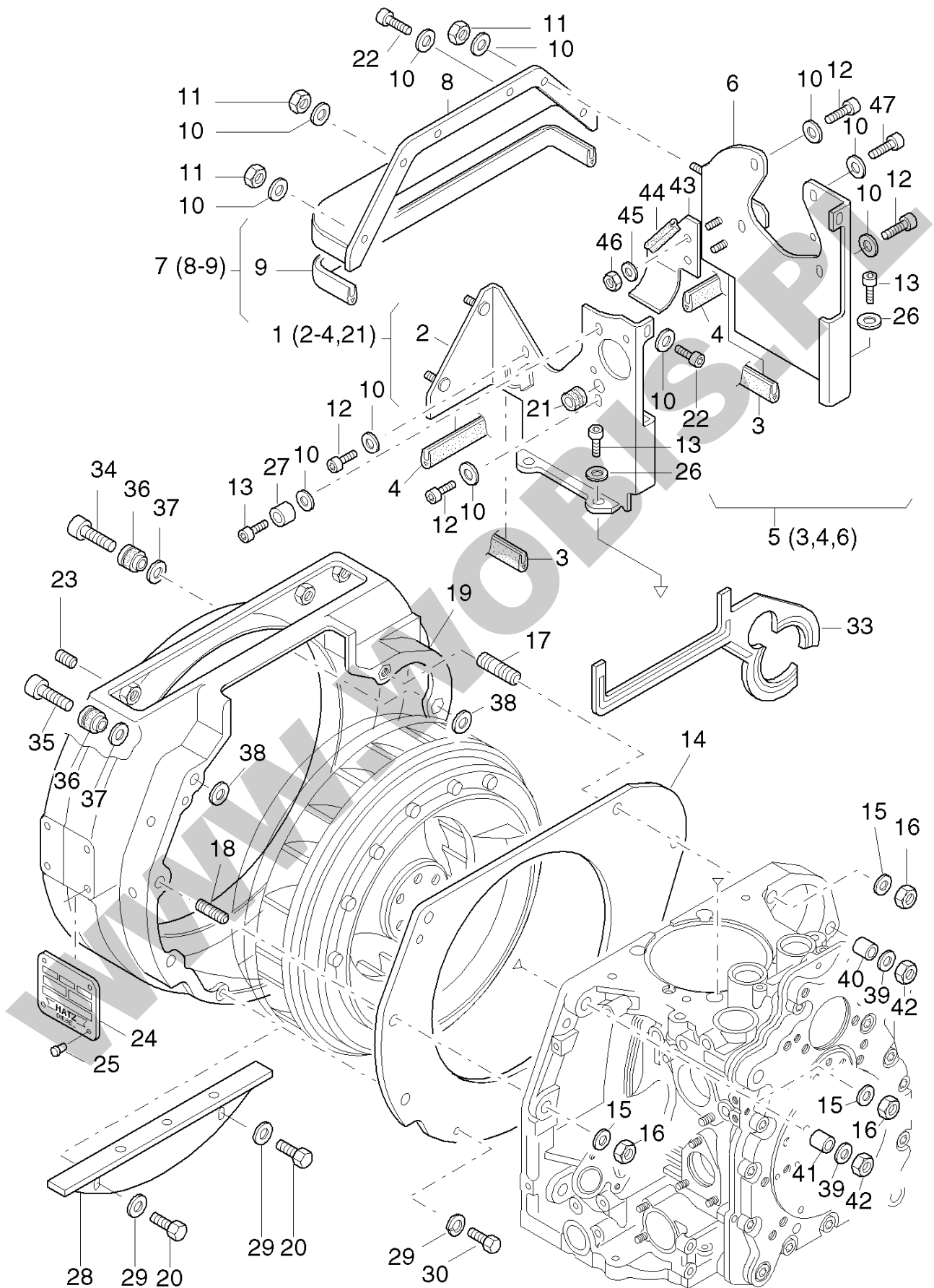
Pos.	Part no.	Description	Qty.	Notice	Add. notice	kg	EA	TA	DA	dDPW	List price
1	50331501	ROLLER TAPPET CPL.	1			0,038	4	11	5		105,6055
2	04000901	GUIDE	1			0,004	1	11	0		19,474
3	50050600	ALL.SCR.M 6X 12	1	M 6 x 12 DIN 912-8.8		0,005	4	11	1		1,729
4	50390200	O-RING 17 X 1,1	0... 1	17 x 1,1		0,001	4	11	1		4,4135
4	50363400	O-RING 17X 1,2	0... 1	17 x 1,2		0,001	4	11	1	D1	5,0505
5	04011700	PLATE	1			0,007	1	11	5		29,12
6	03209700	SHIM 0,3	0... 1	0,30 mm		0,003	1	11	1		6,6885
7	04102400	SHIM 0,60/42,2	0... 1	0,60 mm		0,001	1	11	1		3,8675
8	04102500	SHIM 0,90/42,2	0... 1	0,90 mm		0,009	1	11	1		4,459
9	04102600	SHIM 1,20/42,2	0... 1	1,20 mm		0,013	1	11	1		4,9595
10	04071300	GASKET	0... 2	0,10 mm		0,001	1	11	1		2,821
10	04102200	GASKT.INJC.PUMP 0,2	0... 2	0,20 mm		0,001	1	11	1		5,278
10	04102300	GASKT.INJC.PUMP 0,3	0... 2	0,30 mm		0,001	1	11	1		5,6875
11	50415700	INJECTION PUMP	1	1D31, 1D41 part was replaced by 50415701		0,520	0	11	7		
13	50148000	HEXAGON NUT M 8	3	M 8 DIN 934-8 A3C		0,005	4	11	1		1,4105
15	01311800	FUEL PRESS PIPE	1	part was replaced by 01311801		0,131	0	11	0		
16	04025800	JOINT WASHER	1	2,0 MM		0,002	1	11	1	d1	4,1405
17	50415301	INJECTOR	0... 1	1D31, 1D41		0,195	4	11	0		446,992
17	50449000	INJECTOR OPT.	0... 1	1D41 opt. (PV 202) part was replaced by 50415301		0,000	0	21	0		
18	50449100	NOZZLE DLLA OPT.	1	1D41 opt. (PV 202)		0,035	4	13	1		394,576
18	50415400	NOZZLE DLLA 160P469	0... 1	1D31, 1D41		0,026	4	13	0		257,348
19	_noorder	No single order	-								
20	03792400	FLANGE	1	part was replaced by 03792401		0,000	0	11	0		
21	04035700	WASHER	1			0,007	1	11	1		6,279
22	50000800	JOINT A 6,5X 9,5	2	A 6,5 x 9,5 DIN 7603-Cu		0,001	4	11	1	d2	0,455
24	50333400	BANJO CONNECTION	1			0,005	4	11	1		12,8765
25	50313000	BANJO BOLT M 6	1	M 6		0,005	4	11	1		10,556
26	50279200	STUD M 8X 40	1	M 8 x 40 DIN 835-8.8 A3C		0,019	4	11	1		3,8675
27	50004600	GRUB SCREW M 8X16	1	M 8 x 16 DIN 916-45H A3C		0,003	4	11	1		2,912

**ORYGINALNE CZĘŚCI ZAMIENNE SERWIS GWARANCYJNY I POGWARANCYJNY WYMIARY
SERWISOWE ORAZ KATALOGI CZĘŚCI ZAMIENNYCH NA STRONIE WWW.WOBIS.PL/SERWIS**

Pos.	Part no.	Description	Qty.	Notice	Add. notice	kg	EA	TA	DA	dDPW	List price
28	05035200	PRESSURE SPRING	1			0,005	1	11	1		7,007
29	_noorder	No single order	-								
30	01519500	PIST.+SPRG.EXT.FUEL	1			0,055	1	12	1		87,2235
36	50328900	O-RING 22X1,6	1	22 x 1,6		0,001	4	11	1	D2	2,3205
37	04001410	CYL.F.EXTR.FUEL DEV	1			0,245	1	11	1		140,686
38	04001600	DISC	1			0,009	1	11	1		4,368
39	50330800	CLOS.SCREW M16X1,5	1	M 16 x 1,5 DIN 908-5.8 A3C Tuf.		0,019	4	11	1		12,376
40	50001100	JOINT A12 X15,5	2	A 12 x 15,5 DIN 7603-Cu		0,001	4	11	1	D2	0,7735
41	50015800	RING PIECE NW6	1	NW 6		0,015	4	11	1		13,3315
42	03662300	HOSE NIPPLE	1			0,034	1	11	5		25,0705
43	03664200	FUEL HOSE 5,0 X 130	1	5 x 2,5 - 130 mm		0,007	1	11	1		
43	04060400	FUEL HOSE 5,0 X 100	1	5 x 2,5 - 100 mm		0,008	1	11	1		5,3235
44	00805500	VENT VALVE	1	part was replaced by 00805501		0,004	0	11	7		
45	03807100	FUEL HOSE 5,0X 150	1	5 x 150 mm		0,010	1	11	1		
45	04060200	FUEL HOSE 5,0 X 55	1	5 x 2,5 - 55 mm		0,005	1	11	5		
46	03989600	HOSE NIPPLE T	1	part was replaced by 03989601		0,000	0	11	7		
46	50157800	HOSE NIPPLE T NW 3	1	NW 3 part was replaced by 05242400		0,009	0	11	7		
47	03962100	FUEL HOSE 3,5X 160	1	3,5 x 2,5 - 160 mm		0,007	1	11	1		
47	03899200	FUEL PIPE 3,5X 270	1	3,5 x 270 mm		0,011	1	11	4		9,009
48	04089700	FUEL HOSE 5,0 X 530	1	5 x 2,5 - 530 mm		0,020	1	11	5		
49	50279600	CONNECTING NIPPLE	1			0,006	4	11	1		18,7915
50	50357200	HOSE CLIP 7-11	1	7 - 11 SX5 SW4		0,003	4	11	1		9,373
51	50399801	CLAMP 11,3	4	11,3		0,002	4	11	1		7,3255
52	50399900	CLAMP 9,5	1	9,5		0,001	4	11	5		
53	05001200	CLIP	1			0,005	1	21	1		7,644
55	_noorder	No single order	-								
56	03407700	BANJO BOLT	1			0,018	1	11	5		71,708
57	50000900	JOINT A8X11,5	2	A 8 x 11,5 DIN 7603-Cu		0,001	4	11	1		0,455
58	50015700	RING PIECE NW3	1	NW 3		0,007	4	11	1		9,5095

**ORYGINALNE CZĘŚCI ZAMIENNE SERWIS GWARANCYJNY I POGWARANCYJNY WYMIARY
SERWISOWE ORAZ KATALOGI CZĘŚCI ZAMIENNYCH NA STRONIE WWW.WOBIS.PL/SERWIS**

Pos.	Part no.	Description	Qty.	Notice	Add. notice	kg	EA	TA	DA	dDPW	List price
59	50006100	BANJO BOLT 4-5-3	1	4-5-3 DIN 7643		0,007	4	11	1		6,3245
60	01498902	PIST.+CYL.EXTR.FUEL	1			0,328	1	11	1		163,163
D	50223300	LOCTITE 221	1	50 ML		0,077	4	12	0		99,0535

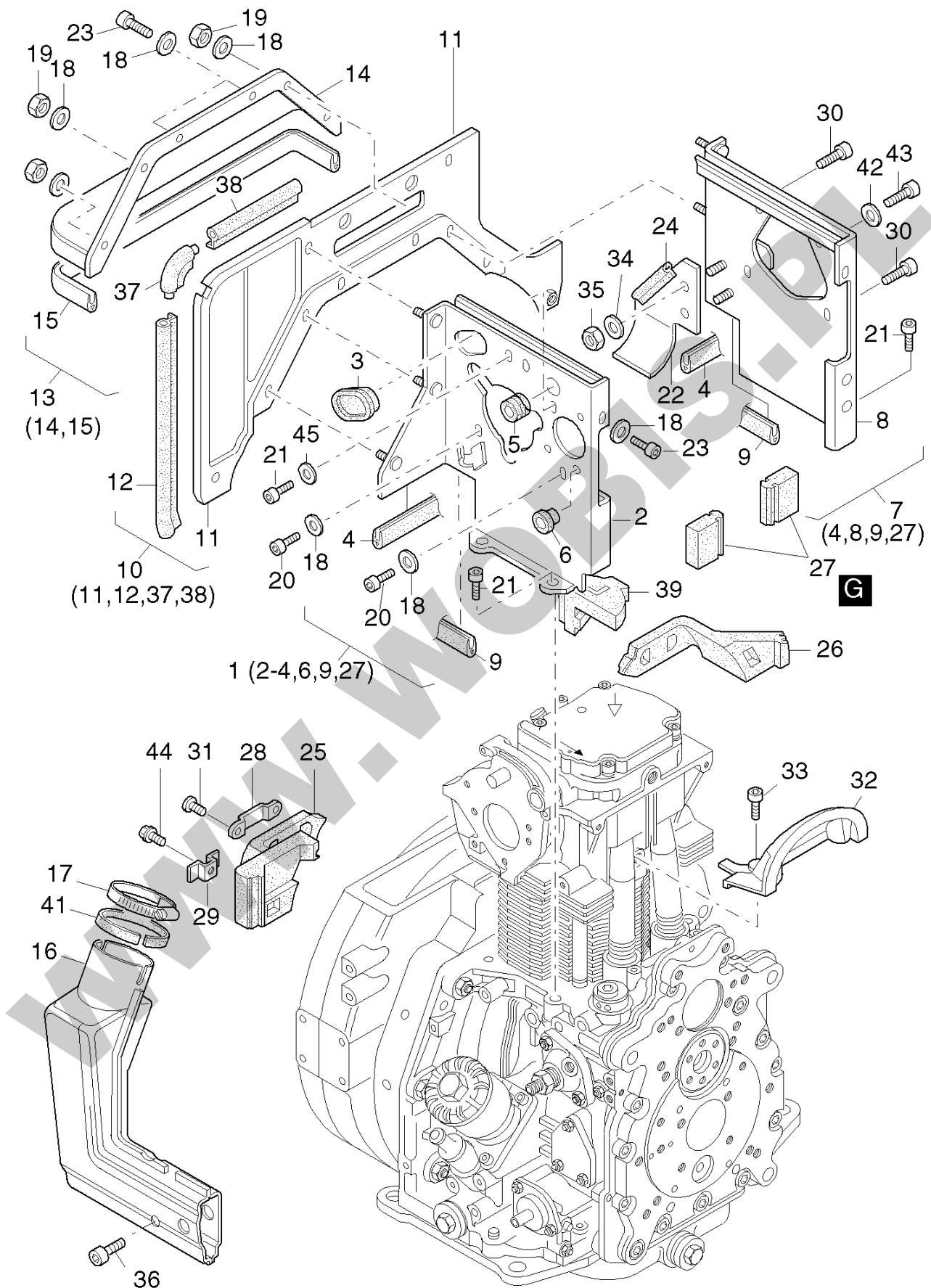


**ORYGINALNE CZĘŚCI ZAMIENNE SERWIS GWARANCYJNY I POGWARANCYJNY WYMIARY
SERWISOWE ORAZ KATALOGI CZĘŚCI ZAMIENNYCH NA STRONIE WWW.WOBIS.PL/SERWIS**

Pos.	Part no.	Description	Qty.	Notice	Add. notice	kg	EA	TA	DA	dDPW	List price
1	01260911	COOLING AIR DUCT	1	part was replaced by 01260920		0,270	9	11	0		161,5705
1	01332401	COOLING AIR DUCT	1			0,270	9	11	0		188,643
2	_noorder	No single order	-								
3	04030901	SEALING STRIP 29MM	2	29 mm		0,002	1	11	1		4,4135
4	04030801	SEALING STRIP 41MM	2	41 mm		0,003	1	11	1		4,186
5	01261000	COOLING AIR DUCT	1	part was replaced by 01261001		0,000	0	11	7		
6	_noorder	No single order	-								
7	01261100	COOLING AIR DUCT	1	part was replaced by 01261101		0,000	0	11	7		
8	_noorder	No single order	-								
9	04031001	SEALING STRIP 308MM	1	308 mm		0,020	1	11	1		23,1595
10	50144500	FLAT WASHER 6,4	14	6,4 DIN 125-St A3C		0,001	4	11	1		0,455
11	50144400	HEXAGON NUT M 6	4	M 6 DIN 934 - 8 A3C		0,002	4	11	1		1,2285
12	50149100	ALLEN SCREW M 6X 12	6	M 6 x 12 DIN 912-8.8 A3C		0,005	4	11	1		1,092
13	50170700	ALL.SCR.M 6 X 16	5	M 6 x 16 DIN 912-8.8 A3C		0,006	4	11	1		1,729
14	_nopart	Not in this engine	-								
15	_nopart	Not in this engine	-								
16	_nopart	Not in this engine	-								
17	_nopart	Not in this engine	-								
18	_nopart	Not in this engine	-								
19	01282101	BLOWER DUCT.HD-STRT	1	Handstart, demarr. man. BLECHGEH.H-STAR		1,975	1	21	0		751,6145
19	01282310	BLOW.DUCT.EL.START	1	E-Start, el. starter, BLECHGEHAEUSE		1,911	1	21	0		812,084
20	_nopart	Not in this engine	-								
21	50334800	RUBBER SLEEVE	1			0,001	4	11	1		3,2305
22	50170700	ALL.SCR.M 6 X 16	4	M 6 x 16 DIN 912-8.8 A3C		0,006	4	11	1		1,729
23	50226000	GRUB SCREW M 8X6	4	M 8 x 6 DIN 913-45H TU.FLEC		0,002	4	11	1		3,9585
24	_nopart	Not in this engine	-								
25	40002500	RIVET 2,4X6	4	2,4		0,001	4	11	1		1,4105
26	50144500	FLAT WASHER 6,4	4	6,4 DIN 125-St A3C		0,001	4	11	1		0,455
27	03936400	BUSH 6,2X8X5,5	1	6,2 x 8 x 5,5		0,001	1	11	1		4,823

**ORYGINALNE CZĘŚCI ZAMIENNE SERWIS GWARANCYJNY I POGWARANCYJNY WYMIARY
SERWISOWE ORAZ KATALOGI CZĘŚCI ZAMIENNYCH NA STRONIE WWW.WOBIS.PL/SERWIS**

Pos.	Part no.	Description	Qty.	Notice	Add. notice	kg	EA	TA	DA	dDPW	List price
28	_nopart	Not in this engine	-								
29	_nopart	Not in this engine	-								
30	_nopart	Not in this engine	-								
33	04058600	GASKET F.AIR GUIDE	1			0,013	1	11	1		54,509
34	50288800	ALL.SCR.M 8X 55	3	M 8 x 55 DIN 912-8.8 A3C		0,027	4	11	1		3,6855
35	50392900	ALL.SCR.M 8 X 50	2	M 8 x 50 DIN 912 - 8.8 A3C		0,025	4	11	1		3,003
36	01332900	SPACER BUSH	5			0,020	1	11	0		15,288
37	04064700	RUBBER SEAL RING	5			0,001	1	11	5		2,2295
38	04054300	WASHER 8,4X21 X3	5	8,4 x 21 x 3		0,006	1	11	1		7,007
39	04065100	DISC 9,1X20X2,1	8	9,1 x 20 x 2,1		0,003	1	11	1		7,553
40	04056500	BUSH 8,4X12,8H11	2	8,4 x 12,8		0,012	1	11	0		19,292
41	04054410	BUSH F. CRANKCASE	3	8,4 x 10,8		0,007	1	11	5		9,0545
42	50148000	HEXAGON NUT M 8	5	M 8 DIN 934-8 A3C		0,005	4	11	1		1,4105
43	_nopart	Not in this engine	-								
44	_nopart	Not in this engine	-								
45	_nopart	Not in this engine	-								
46	_nopart	Not in this engine	-								
47	50333800	ALL.SCR.M 6X 12	1	M 6 x 12 DIN 912-8.8 A3C Inbus-Pl.		0,005	4	11	1		3,003

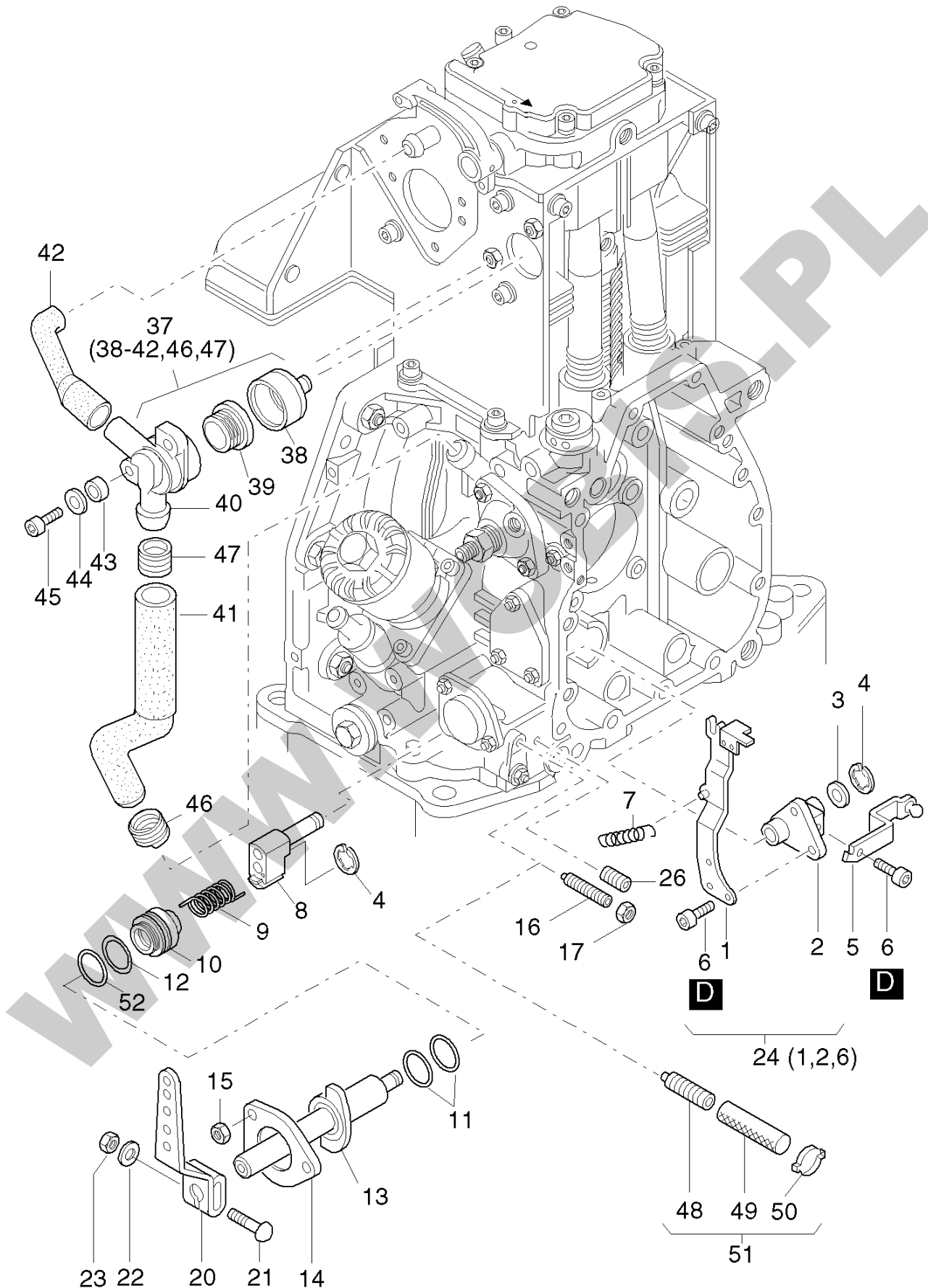


**ORYGINALNE CZĘŚCI ZAMIENNE SERWIS GWARANCYJNY I POGWARANCYJNY WYMIARY
SERWISOWE ORAZ KATALOGI CZĘŚCI ZAMIENNYCH NA STRONIE WWW.WOBIS.PL/SERWIS**

Pos.	Part no.	Description	Qty.	Notice	Add. notice	kg	EA	TA	DA	dDPW	List price
1	01290800	COOLING AIR DUCT.	1	part was replaced by 01290810		0,366	9	11	0		
2	_noorder	No single order	-								
3	04078600	RUBBER SLEEVE	1			0,003	1	11	1		7,644
4	04030801	SEALING STRIP 41MM	2	41 mm		0,003	1	11	1		4,186
5	_nopart	Not in this engine	-								
6	50334800	RUBBER SLEEVE	1			0,001	4	11	1		3,2305
7	01290700	COOLING AIR DUCT.	1	part was replaced by 01290710		0,399	9	11	0		
8	_noorder	No single order	-								
9	04030901	SEALING STRIP 29MM	2	29 mm		0,002	1	11	1		4,4135
10	01290600	INTERMEDIAT WALL	1			0,372	1	11	1		203,203
11	_noorder	No single order	-								
12	04066900	SEALG.STRIP 230MM	1	228 mm		0,018	1	11	1		20,4295
13	01290400	COOLING AIR DUCT	1	part was replaced by 01290401		0,231	0	11	7		
14	_noorder	No single order	-								
15	04031001	SEALING STRIP 308MM	1	308 mm		0,020	1	11	1		23,1595
16	01307600	AIR INTAKE ELBOW	1			0,312	1	11	1		190,8725
17	40071500	HOSE CLIP 32-50	1	32 - 50		0,025	4	11	1		8,9635
18	50144500	FLAT WASHER 6,4	13	6,4 DIN 125-St A3C		0,001	4	11	1		0,455
19	50144400	HEXAGON NUT M 6	4	M 6 DIN 934 - 8 A3C		0,002	4	11	1		1,2285
20	50384200	ALL.SCR.M 6X 12	2	M 6x12 DIN 912-8.8 A3C Tuf. 360 G		0,005	4	11	1		3,2305
21	50416800	ALL.SCR. M 6X 16	4	M 6 x 16 DIN 912 - 8.8 A3C Tuf.		0,005	4	11	1		1,4105
22	01309800	COOLING AIR DUCT.	1			0,070	1	11	1		25,935
23	50170700	ALL.SCR.M 6 X 16	4	M 6 x 16 DIN 912-8.8 A3C		0,006	4	11	1		1,729
24	04085500	SEALING STRIP 60 MM	1	60 mm		0,010	1	11	1		12,6945
25	04075500	FILLING PIECE	1			0,098	1	11	1		155,428
26	04075400	FILLING PIECE	1			0,081	1	11	1		151,8335
27	_nopart	Not in this engine	-								
28	_nopart	Not in this engine	-								
29	04075600	SUPPORT	4			0,003	1	11	1		3,4125
30	50149100	ALLEN SCREW M 6X 12	3	M 6 x 12 DIN 912-8.8 A3C		0,005	4	11	1		1,092

**ORYGINALNE CZĘŚCI ZAMIENNE SERWIS GWARANCYJNY I POGWARANCYJNY WYMIARY
SERWISOWE ORAZ KATALOGI CZĘŚCI ZAMIENNYCH NA STRONIE WWW.WOBIS.PL/SERWIS**

Pos.	Part no.	Description	Qty.	Notice	Add. notice	kg	EA	TA	DA	dDPW	List price
31	_nopart	Not in this engine	-								
32	_nopart	Not in this engine	-								
33	_nopart	Not in this engine	-								
34	50120000	DISC A 6,4	2	A 6,4 DIN 9021-St A3C		0,003	4	11	1		0,455
35	50328300	HEXAGON NUT VM6	2	VM 6 DIN 980-8 A3C		0,002	4	11	1		1,4105
36	50170600	ALL.SCR.M 6X 20	1	M 6 x 20 DIN 912-8.8 A3C		0,007	4	11	1		1,729
37	04066400	GASK.F.INTERME.WALL	1			0,003	1	11	1		15,288
38	04074900	SEALG.STRIP 100MM	1	100 mm		0,010	1	11	1		11,102
39	04079600	FILLING PIECE	1			0,034	1	11	1		38,129
41	04089100	SEALG.STRIP13X1X148	1	13 x 1 x 148		0,001	1	11	1		5,8695
42	50170900	SPRING WASHER 6	1	6 DIN 128 - A3C		0,001	4	11	1		0,455
43	50384200	ALL.SCR.M 6X 12	1	M 6x12 DIN 912-8.8 A3C Tuf. 360 G		0,005	4	11	1		3,2305
44	50289200	HEXSCREW M 6X 12	4	M 6 x 12 KZ 1-8.8 A3D		0,005	4	11	1		1,8655
45	_nopart	Not in this engine	-								
G	50256501	LOCTITE IS 407	1	20 ML		0,033	4	12	0		52,143

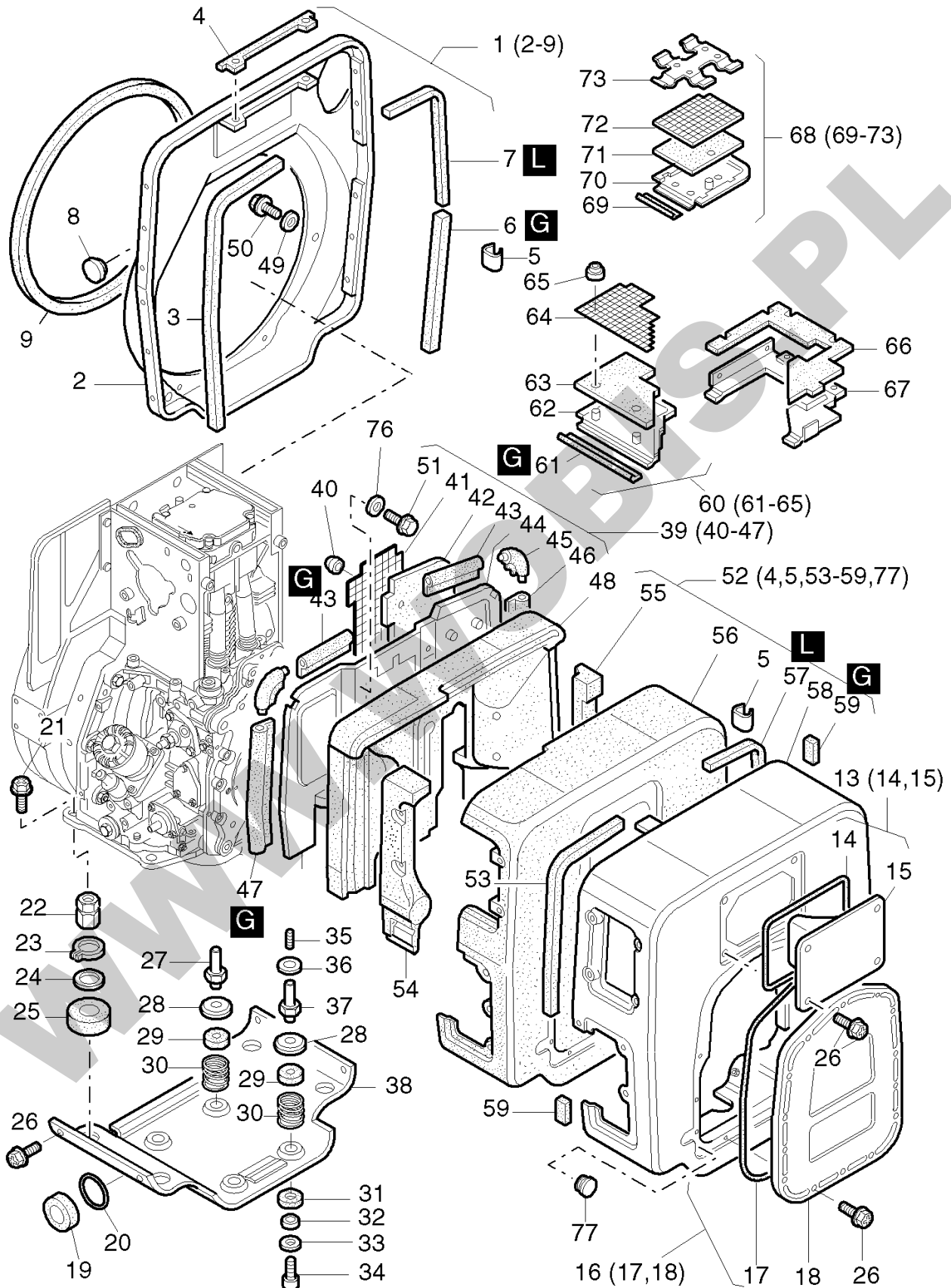


**ORYGINALNE CZĘŚCI ZAMIENNE SERWIS GWARANCYJNY I POGWARANCYJNY WYMIARY
SERWISOWE ORAZ KATALOGI CZĘŚCI ZAMIENNYCH NA STRONIE WWW.WOBIS.PL/SERWIS**

Pos.	Part no.	Description	Qty.	Notice	Add. notice	kg	EA	TA	DA	dDPW	List price
1	_noorder	No single order	-								
2	_noorder	No single order	-								
3	04000100	SHIM	1			0,001	1	11	1		3,003
4	50266100	CIRCLIP 6	2	6 DIN 6799		0,001	4	11	1		0,455
5	04037500	LEVER	1			0,025	1	11	1		16,107
6	50328701	ALL.SCR. M5X8	4	M 5 x 8 DIN 912-8.8 Tuf.		0,003	4	11	1		1,638
7	04000200	TENSION SPRING	1			0,001	1	11	1		9,828
8	01242810	GUIDE	1	part was replaced by 01242811		0,063	0	11	0		
9	03799010	THIGH SPRING	1			0,012	1	11	1		10,01
10	04052710	SPACER RING	1			0,155	1	11	1		39,858
11	50412900	O-RING 18 X 2	2	18 x 2		0,001	4	11	1	D2	1,8655
12	50129900	O-RING 32X37X2,5	1	32 x 2,5		0,001	4	11	1	D1	5,4145
13	01279221	STOP RNG.SPD.CONT.S	1			0,215	1	11	1		134,9075
13	01302921	STOP RNG.SPD.CONT.C	1		""C""	0,230	1	11	1		134,9075
14	03799210	FRICTION PLATE	1			0,017	1	11	1		15,288
15	50328300	HEXAGON NUT VM6	3	VM 6 DIN 980-8 A3C		0,002	4	11	1		1,4105
16	50507800	GRUB SCREW M6X45	2	M 6 x 45		0,007	4	11	1		7,189
17	50144400	HEXAGON NUT M 6	2	M 6 DIN 934 - 8 A3C		0,002	4	11	1		1,2285
20	03888300	HANDLEVER	1			0,100	1	11	1		28,7105
21	03927300	SCREW M 6X 32	1	M 6 x 32		0,012	1	11	1		
22	50144500	FLAT WASHER 6,4	1	6,4 DIN 125-St A3C		0,001	4	11	1		0,455
23	50346500	HEXAGON NUT M6	1	M 6 DIN 934 - 10 A2F 8 10.9		0,002	4	11	1		1,2285
24	01246803	GOVERNOR LEVER	1			0,110	1	11	1		216,3525
26	50403500	GRUB SCREW M8X20	1	M 8 x 20 DIN 914-45H		0,006	4	11	1		4,8685
37	01308101	BREATHER VALVE	1			0,078	1	11	1		93,821
38	04080300	BREATHER CUP	1			0,004	1	11	1		7,007
39	03568700	DIAPHRAGM	1			0,004	1	11	5		
40	_noorder	No single order	-								
41	04083800	BREATHER HOSE	1	FORM 1894		0,040	1	11	1		24,843
42	04074800	BREATHER HOSE	1	FORM 1695		0,012	1	11	1		13,5135

**ORYGINALNE CZĘŚCI ZAMIENNE SERWIS GWARANCYJNY I POGWARANCYJNY WYMIARY
SERWISOWE ORAZ KATALOGI CZĘŚCI ZAMIENNYCH NA STRONIE WWW.WOBIS.PL/SERWIS**

Pos.	Part no.	Description	Qty.	Notice	Add. notice	kg	EA	TA	DA	dDPW	List price
43	04080500	BUSH	2	7 x 8 x 8		0,001	1	11	1		6,734
44	50081200	SPRING WASHER A 6	2	A 6 DIN 137 - A3C		0,001	4	11	1		0,455
45	50170700	ALL.SCR.M 6 X 16	2	M 6 x 16 DIN 912-8.8 A3C		0,006	4	11	1		1,729
46	04090500	CLAMP 18MM	1			0,001	1	11	1		2,002
47	04122300	CLAMP	1			0,001	1	11	1		2,002
48	50405301	GRUB SCREW M6 X 45	1	M 6 x 45 DIN 915 Tuf.	""C""	0,005	4	11	1		5,915
49	05037900	HOSE 7 X 12 X 90	1	7 x 12 x 90	""C""	0,007	1	21	1		5,733
50	50388300	CLAMP 11-13	1	11 - 13	""C""	0,003	4	21	1		8,0535
51	01474000	ADJUST.SCREW1D20-40	1		""C""	0,015	1	22	1		20,9755
52	50453600	SUPPORTING DISC SS	1	32 x 45 x 2,5 A3C DIN 988		0,015	4	11	1		7,553
D	50223300	LOCTITE 221	1	50 ML		0,077	4	12	0		99,0535

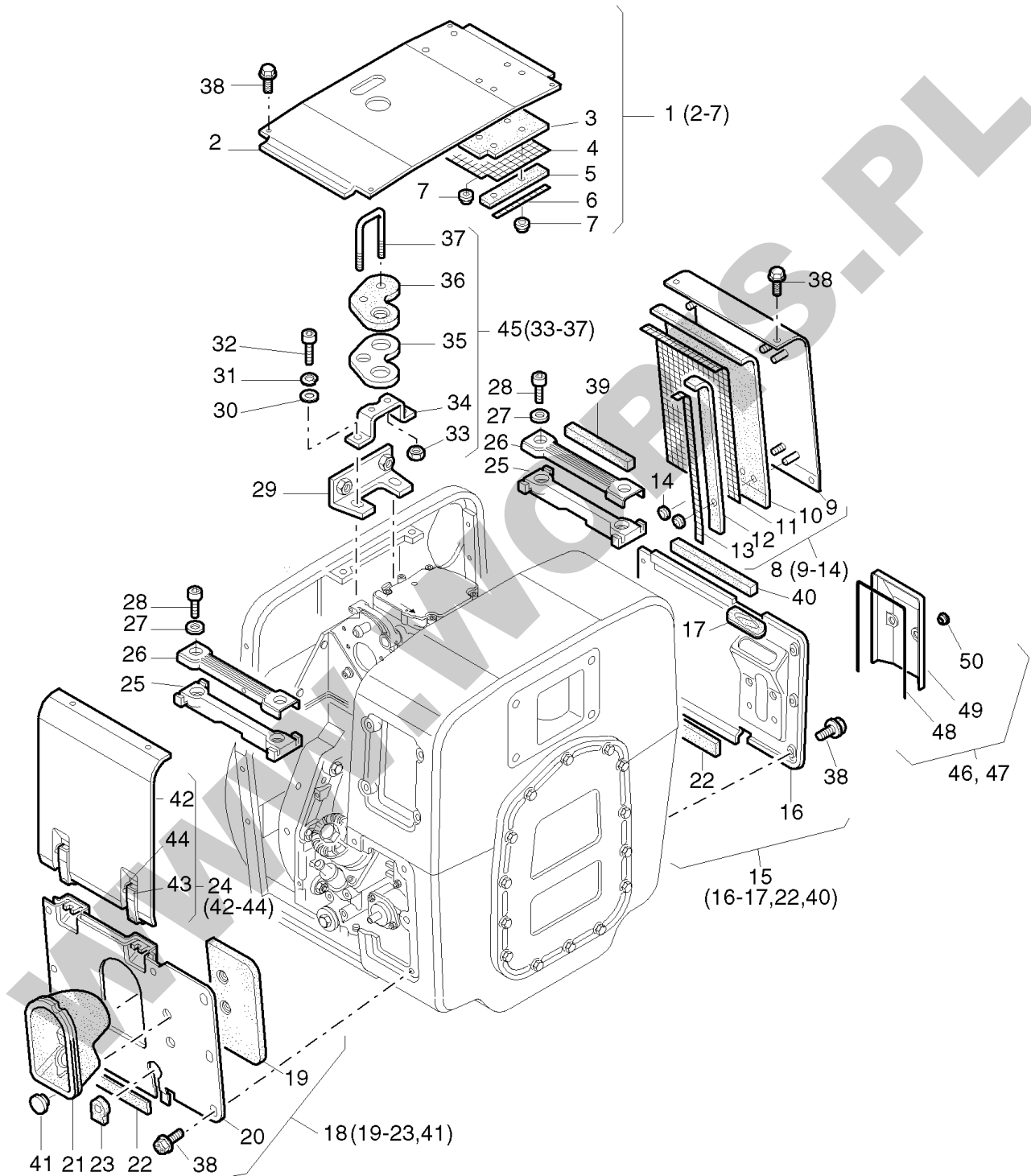


**ORYGINALNE CZĘŚCI ZAMIENNE SERWIS GWARANCYJNY I POGWARANCYJNY WYMIARY
SERWISOWE ORAZ KATALOGI CZĘŚCI ZAMIENNYCH NA STRONIE WWW.WOBIS.PL/SERWIS**

Pos.	Part no.	Description	Qty.	Notice	Add. notice	kg	EA	TA	DA	dDPW	List price
1	01289100	END PLATE	1			2,294	1	11	1		830,4205
2	_noorder	No single order	-								
3	04080600	SEALG.STRIP 8X8X530	1	8 x 8 x 530 mm Silikon		0,021	1	11	1		19,019
4	04073800	GASKET	2			0,006	1	11	1		47,2745
5	04084100	CATCH	8			0,003	1	11	1		5,2325
6	_nopart	Not in this engine	-								
7	04081000	SEALG.STRIP 8X8X530	1	8 x 8 x 530 mm		0,021	1	11	1		12,1485
8	50395500	COVER 17,6	1	PHT 17, 6/20		0,001	4	11	1		7,3255
9	04049500	SEALING STRIP	1	1230 mm		0,130	1	11	1		76,8495
13	01289500	COVER SMALL	1			0,163	1	11	1		151,333
14	04049100	SEALING STRIP	1			0,003	1	11	1		11,7845
15	_noorder	No single order	-								
16	01289401	COVER BIG	1			0,620	1	11	1		123,578
16	01474401	COVER BIG	1	Handstart, demarr. man.		0,615	1	21	4		134,134
17	04080900	SEALING STRIP	1	3,0 x 1045		0,006	1	11	1		14,0595
18	_noorder	No single order	-								
19	03755300	GASKET	1	46/16		0,004	1	11	1		7,553
20	03592301	WASHER 26,1X38X1	1	26,1 x 38 x 1		0,005	1	11	1		7,553
21	50386600	HEXSCREW M10X 20	4	M 10 x 20 A3C W 158.12 - 10.9		0,025	4	21	1		6,643
22	03993700	NUT M10 X 27,5	4	M 10 x 27,5		0,075	1	21	2		17,29
23	50020400	CIRCLIP 24X1,2	4	A 24 x 1,2 DIN 471		0,002	4	11	1		2,002
24	03592301	WASHER 26,1X38X1	4	26,1 x 38 x 1		0,005	1	11	1		7,553
25	03755300	GASKET	4	46/16		0,004	1	11	1		7,553
26	50289200	HEXSCREW M 6X 12	24	M 6 x 12 KZ 1-8.8 A3D		0,005	4	11	1		1,8655
27	04077400	SPACER	2			0,022	1	11	1		36,673
28	04042100	CUP	4			0,010	1	11	1		6,7795
29	04041900	SEALING RING	4			0,002	1	11	1		9,4185
30	04042200	PRESSURE SPRING	4			0,015	1	11	1		9,4185
31	04041800	RUBBER SEAL RING	4			0,004	1	11	1		8,1445
32	04041700	BUSH 7X12X11	4	7 x 12 x 11		0,003	1	11	1		7,7805

**ORYGINALNE CZĘŚCI ZAMIENNE SERWIS GWARANCYJNY I POGWARANCYJNY WYMIARY
SERWISOWE ORAZ KATALOGI CZĘŚCI ZAMIENNYCH NA STRONIE WWW.WOBIS.PL/SERWIS**

Pos.	Part no.	Description	Qty.	Notice	Add. notice	kg	EA	TA	DA	dDPW	List price
33	04042000	WASHER 6,5X22,5X1	4	6,5 x 22,5 x 1		0,003	1	11	1		2,912
34	50170600	ALL.SCR.M 6X 20	4	M 6 x 20 DIN 912-8.8 A3C		0,007	4	11	1		1,729
35	50139200	STUD M 6X 16	2	M 6 x 16 DIN 939-8.8		0,002	4	11	0		1,4105
36	50144500	FLAT WASHER 6,4	4	6,4 DIN 125-St A3C		0,001	4	11	1		0,455
37	04077400	SPACER	2			0,022	1	11	1		36,673
38	01303700	BASE PAN	1			1,323	1	11	1		214,942
39	01306300	INTERMEDIATE WALL	1			0,722	1	11	1		483,1645
40	50388500	HOLDING DISC 4,5	4	4,5		0,002	4	11	1		1,5015
41	04078100	GRID	1			0,057	0	11	1		
42	04078000	INSULATING BORD	1			0,048	1	11	1		87,36
43	04074900	SEALG.STRIP 100MM	2	100 mm		0,010	1	11	1		11,102
44	_noorder	No single order	-								
45	04066400	GASK.F.INTERME.WALL	2			0,003	1	11	1		15,288
46	04075000	SEALG.STRIP 186MM	1	180 mm		0,019	1	11	1		17,4265
47	04066900	SEALG.STRIP 230MM	1	228 mm		0,018	1	11	1		20,4295
48	01306500	LINING	1			0,302	1	11	1		335,1075
49	50144500	FLAT WASHER 6,4	6	6,4 DIN 125-St A3C		0,001	4	11	1		0,455
50	50274800	HEXSCREW M 6X6	6	M 6 x 6 DIN 933-8.8 A3C		0,003	4	11	1		3,003
51	50335600	COMBI SCREW M 6X 16	2	M 6 x 16 KZ 1-8.8 A3D		0,005	4	11	1		3,003
52	01289300	BLOWER DUCTING	1			4,856	1	11	1		1766,7195
53	04081600	SEALG.STRIP 8X8X360	1	8 x 8 x 360 mm		0,014	1	11	1		8,463
54	_nopart	Not in this engine	-								
55	_nopart	Not in this engine	-								
56	01305300	LINING	1			1,135	1	11	1		486,1675
57	04080700	SEALG.STRIP 8X8X330	1	8 x 8 x 360		0,014	1	11	1		13,104
58	_noorder	No single order	-								
59	04081700	SEALING STRIP8X8X25	2	8 x 8 x 25 mm		0,010	1	11	1		1,274
60	_nopart	Not in this engine	-								
61	_nopart	Not in this engine	-								
62	_noorder	No single order	-								

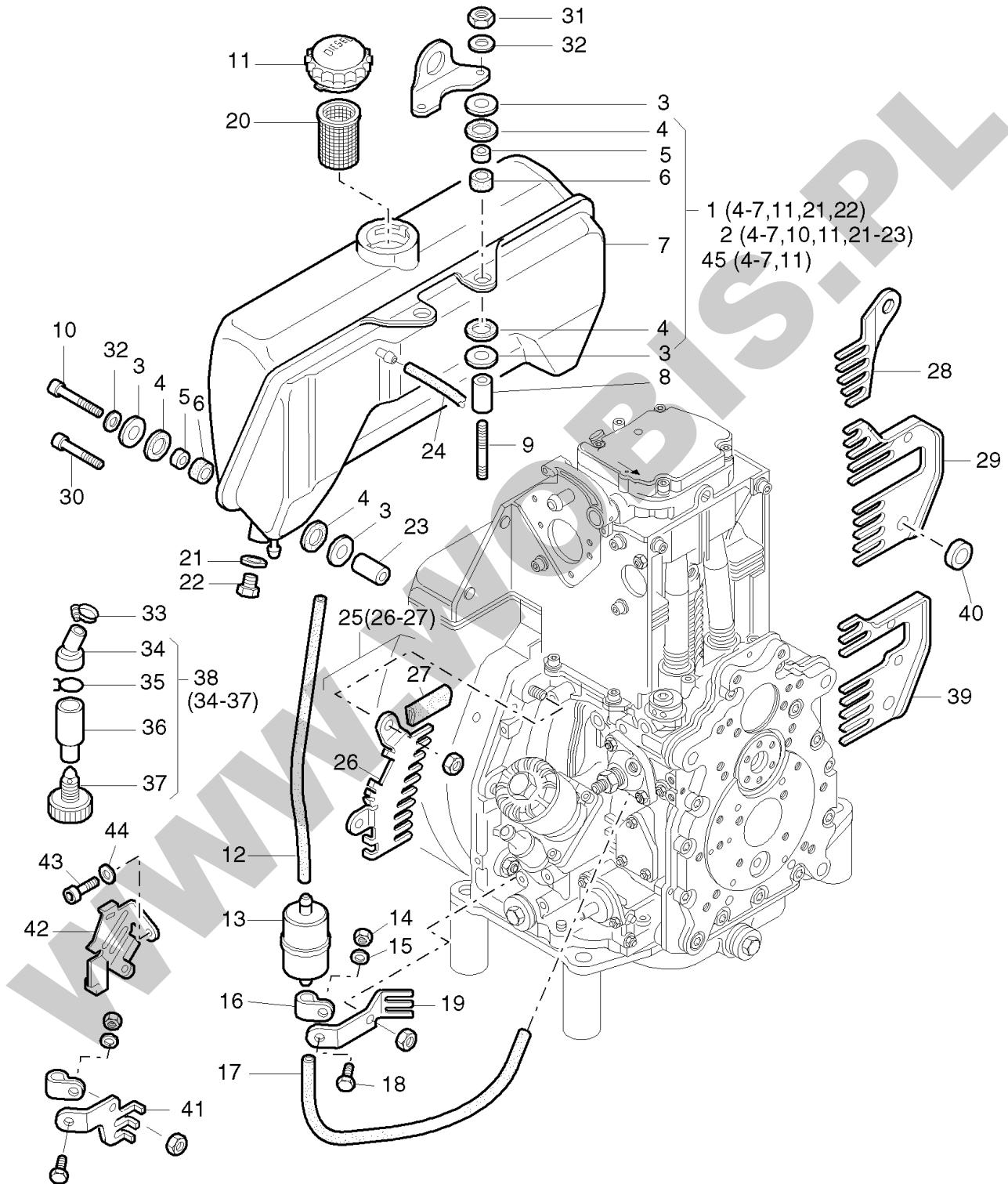


**ORYGINALNE CZĘŚCI ZAMIENNE SERWIS GWARANCYJNY I POGWARANCYJNY WYMIARY
SERWISOWE ORAZ KATALOGI CZĘŚCI ZAMIENNYCH NA STRONIE WWW.WOBIS.PL/SERWIS**

Pos.	Part no.	Description	Qty.	Notice	Add. notice	kg	EA	TA	DA	dDPW	List price
1	01305500	HOOD	1			1,115	1	11	1		336,1085
2	_noorder	No single order	-								
3	04076000	INSULATION BORD	1			0,040	1	11	1		85,54
4	04076300	FASTENING PLATE	1			0,042	0	11	1		
5	04076100	INSULATION BORD	1			0,004	1	11	1		72,6635
6	04076200	FIXING RAIL	1			0,050	1	11	1		15,288
7	50388500	HOLDING DISC 4,5	6	4,5		0,002	4	11	1		1,5015
8	01305800	COWLING	1			0,739	1	11	1		341,2045
9	_noorder	No single order	-								
10	04076600	INSULATION PLATE	1			0,066	1	11	1		99,19
11	04076800	FASTENING PLATE	1			0,070	1	11	1		32,032
12	04076700	INSULATION PLATE	1			0,009	1	11	1		84,266
13	04076900	FIXING RAIL	1			0,007	1	11	1		15,288
14	50388500	HOLDING DISC 4,5	6	4,5		0,002	4	11	1		1,5015
15	01290000	COWLING	1			0,935	1	11	1		298,844
16	_noorder	No single order	-								
17	03993100	RUBBER SLEEVE	1			0,014	1	11	1		9,6005
18	01289800	COWLING	1			0,864	1	11	1		468,3315
19	04087600	INSULATION BORD	1			0,032	1	11	1		90,0445
20	_noorder	No single order	-								
21	04076500	RUBBER INSERT	1			0,083	1	11	1		150,6505
22	04086500	SEALING STIP 182L	1	13 x 1 x 182 mm		0,004	1	11	1		7,644
23	04084700	SEALG.PLATE	1			0,008	1	11	1		10,4195
24	01289700	SIDE PANAL	1			0,670	1	11	1		340,067
24	04084400	COWLING	1	Dekompr.-Automatik		0,658	1	21	4		353,262
25	04077300	RUBBER STRIP	2			0,066	0	11	1		
26	01306100	STIFFNER	2			0,093	1	11	1		178,633
27	50081200	SPRING WASHER A 6	4	A 6 DIN 137 - A3C		0,001	4	11	1		0,455
28	50133000	ALL.SCR.M 6X 12	4	M 6 x 12 DIN 6912-8.8		0,004	4	11	1		2,6845
29	01307800	SUPPORT	1			0,023	1	21	1		57,967

**ORYGINALNE CZĘŚCI ZAMIENNE SERWIS GWARANCYJNY I POGWARANCYJNY WYMIARY
SERWISOWE ORAZ KATALOGI CZĘŚCI ZAMIENNYCH NA STRONIE WWW.WOBIS.PL/SERWIS**

Pos.	Part no.	Description	Qty.	Notice	Add. notice	kg	EA	TA	DA	dDPW	List price
30	50148100	FLAT WASHER 8,4	2	8,4 DIN 125-St A3C		0,002	4	11	1		0,455
31	50347301	SPRING WASHER 8	2	VHZ 8 A3C		0,001	4	11	1		0,455
32	50175900	ALL.SCR.M 8X 30	2	M 8 x 30 DIN 912-8.8 A3C		0,017	4	11	1		2,6845
33	50328300	HEXAGON NUT VM6	2	VM 6 DIN 980-8 A3C		0,002	4	11	1		1,4105
34	04061210	LIFTING BRACKET	1			0,065	1	11	1		93,9575
35	_noorder	No single order	-								
36	04061100	SEALING PLATE	1			0,002	1	11	1		16,289
37	_noorder	No single order	-								
38	50289200	HEXSCREW M 6X 12	26	M 6 x 12 KZ 1-8.8 A3D		0,005	4	11	1		1,8655
39	04077200	SEALG.STRIP10X8X122	1	8 x 8 x 122 mm		0,003	1	11	1		6,734
40	04080000	SEALG.STRIP10X8X160	1	8 x 8 x 160 mm		0,004	1	11	1		8,6905
41	50395500	COVER 17,6	2	PHT 17, 6/20		0,001	4	11	1		7,3255
42	_noorder	No single order	-								
43	50393200	FASTENER	2			0,029	4	11	1		47,957
44	50396100	RIVET 2,5X 8	4	2,5 x 8 DIN 660-St part was replaced by 50396101		0,000	0	11	7		
45	01290501	LIFT.DEVICE 30/40C	1			0,130	1	11	1		207,5255
46	01583100	COVERING CAP	0... 1	(ohne,without,sans Powerbox)		0,070	1	21	1		120,666
47	01753100	COVERING CAP	0... 1	(mit,with,avec Powerbox)		0,066	1	21	4		171,08
48	05036200	SEALING STRIP 409MM	1	409mm		0,035	1	21	1		30,03
49	_noorder	No single order	-								
50	03665200	RUBBER SLEEVE	2			0,002	1	11	1		5,369

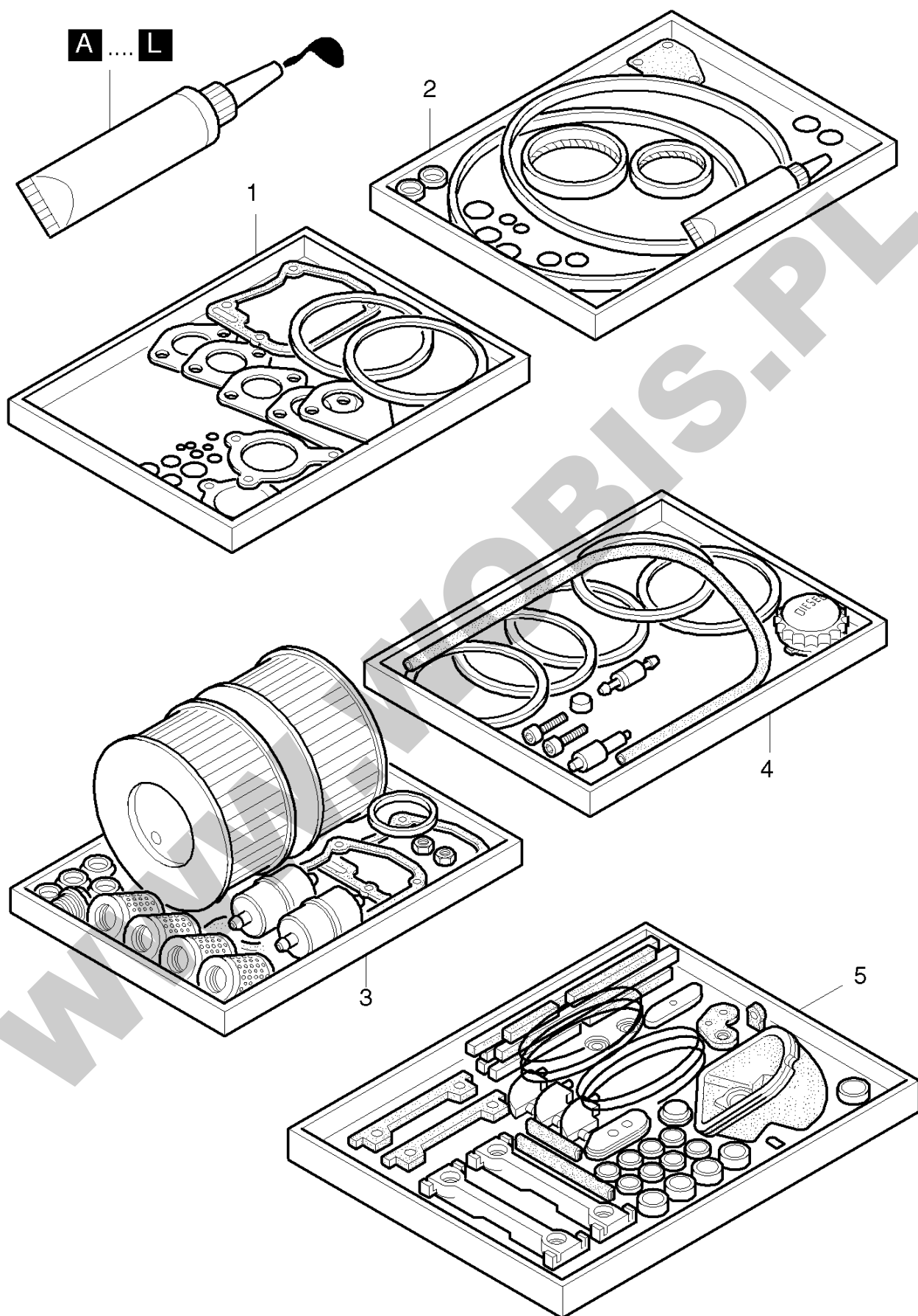


**ORYGINALNE CZĘŚCI ZAMIENNE SERWIS GWARANCYJNY I POGWARANCYJNY WYMIARY
SERWISOWE ORAZ KATALOGI CZĘŚCI ZAMIENNYCH NA STRONIE WWW.WOBIS.PL/SERWIS**

Pos.	Part no.	Description	Qty.	Notice	Add. notice	kg	EA	TA	DA	dDPW	List price
1	01535000	FUEL TANK 5 LTRS	1	5 l		2,908	1	22	1		660,7965
2	_nopart	Not in this engine	-								
3	05097600	WASHER	8	8,5 - 27		0,007	1	11	1		2,912
4	03981802	RUBBER WASHER	8	17 - 25		0,001	1	21	1		8,6905
5	03981701	BUSH 8,4X13X7,5	4	8,4 x 13 x 7,5		0,005	1	21	1		5,096
6	03981900	RUBBER SHELL	4			0,001	1	21	1		1,911
7	_noorder	No single order	-								
8	03981500	BUSH 9X18X49	2	9 x 18 x 49		0,073	1	21	1		20,657
9	50377001	STUD M 8X 75	0... 2	M 8 x 75 DIN 835-10.9 A3C		0,033	4	21	1		8,9635
9	50065100	STUD M 8X85	0... 2	M 8 x 85 DIN 835-8.8 A3C		0,035	4	11	1		5,915
10	50171600	ALL.SCR.M 8X 65	2	M 8 x 65 DIN 912-8.8 A3C		0,030	4	21	1		5,551
11	40032701	CAP F.FUEL TANK B40	1	B 40		0,071	4	21	1	P1	26,026
12	03493300	FUEL HOSE 7 X 145	1	7 x 145		0,010	1	21	2		
13	50478800	FUEL FILTER 7MY	1	Filter		0,054	4	21	1	W2	29,8025
14	50144400	HEXAGON NUT M 6	1	M 6 DIN 934 - 8 A3C		0,002	4	11	1		1,2285
15	50144500	FLAT WASHER 6,4	1	6,4 DIN 125-St A3C		0,001	4	11	1		0,455
16	03165500	PIPE CLIP	1			0,005	1	11	1		5,46
17	03493600	FUEL HOSE 7 X 330	0... 1	7 x 330 mm		0,030	1	21	2		
17	03674300	FUEL HOSE 7 X 305	0... 1	7 x 305 mm		0,025	1	21	1		
18	50165500	HEXSCREW M 6X 12	1	M 6 x 12 DIN 933-8.8 A3C		0,004	4	11	1		1,5015
19	_nopart	Not in this engine	-								
20	40037800	SIEVE	1	f. Tank 5l B 40		0,015	4	21	1		40,2675
21	50001000	JOINT A10 X16	1	A 10 x 16 DIN 7603-Cu		0,008	4	11	1		0,5915
22	05126000	DRAIN PLUG	1	M 10 x 12		0,018	1	21	1		27,664
23	03981600	BUSH 9X18X38	2	9 x 18 x 38		0,057	1	21	1		12,8765
24	03663800	FUEL HOSE 5,0 X 40	1	5 x 40 mm		0,002	1	11	1		2,2295
25	_nopart	Not in this engine	-								
26	_nopart	Not in this engine	-								
27	_nopart	Not in this engine	-								
28	_nopart	Not in this engine	-								

**ORYGINALNE CZĘŚCI ZAMIENNE SERWIS GWARANCYJNY I POGWARANCYJNY WYMIARY
SERWISOWE ORAZ KATALOGI CZĘŚCI ZAMIENNYCH NA STRONIE WWW.WOBIS.PL/SERWIS**

Pos.	Part no.	Description	Qty.	Notice	Add. notice	kg	EA	TA	DA	dDPW	List price
29	_nopart	Not in this engine	-								
30	_nopart	Not in this engine	-								
31	50148000	HEXAGON NUT M 8	2	M 8 DIN 934-8 A3C		0,005	4	11	1		1,4105
32	50208500	SPRING WASHER 8	4	8 DIN 128 A3C		0,001	4	11	1		1,4105
33	50448000	CLAMP	1			0,008	4	21	2		9,0545
34	05044001	HOSE 20/12 MM	1			0,003	1	21	2		17,017
35	05036900	HOSE CLIP	1			0,003	4	11	1		7,462
36	05043900	WATER SEPARATOR	1	part was replaced by 05043901		0,012	0	21	0		
37	50414800	CLOS. SCREW M 10	1	M 10		0,007	4	21	2		11,83
38	01519401	WATER SEPARATOR	1	part was replaced by 01519402		0,033	0	21	0		
39	01529000	PROT.GUARD D30...41	1			0,070	1	21	1		28,5285
40	04065100	DISC 9,1X20X2,1	1	9,1 x 20 x 2,1		0,003	1	11	1		7,553
41	05036600	GUARD BELOW	1			0,045	1	11	1		17,2445
42	05036701	GUARD	1			0,049	1	11	1		20,5205
43	50139000	ALL.SCR. M 6X 10	1	M 6 x 10 DIN 912-8.8 C4P		0,004	4	11	1		1,5015
44	50081200	SPRING WASHER A 6	1	A 6 DIN 137 - A3C		0,001	4	11	1		0,455
45	_nopart	Not in this engine	-								

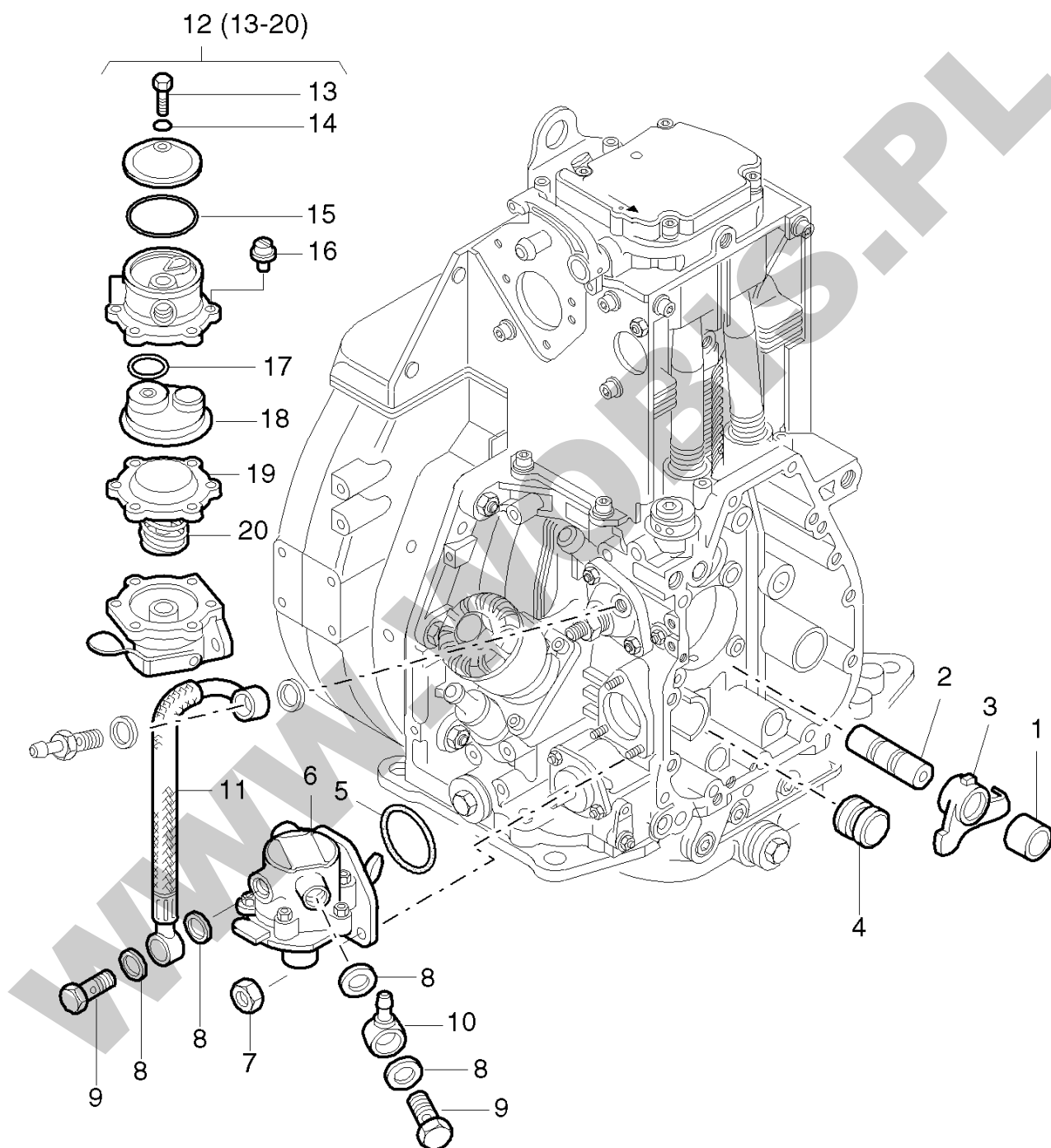


**ORYGINALNE CZĘŚCI ZAMIENNE SERWIS GWARANCYJNY I POGWARANCYJNY WYMIARY
SERWISOWE ORAZ KATALOGI CZĘŚCI ZAMIENNYCH NA STRONIE WWW.WOBIS.PL/SERWIS**

_094.16_TM00 M00 Spare parts kits 1 D 41.16

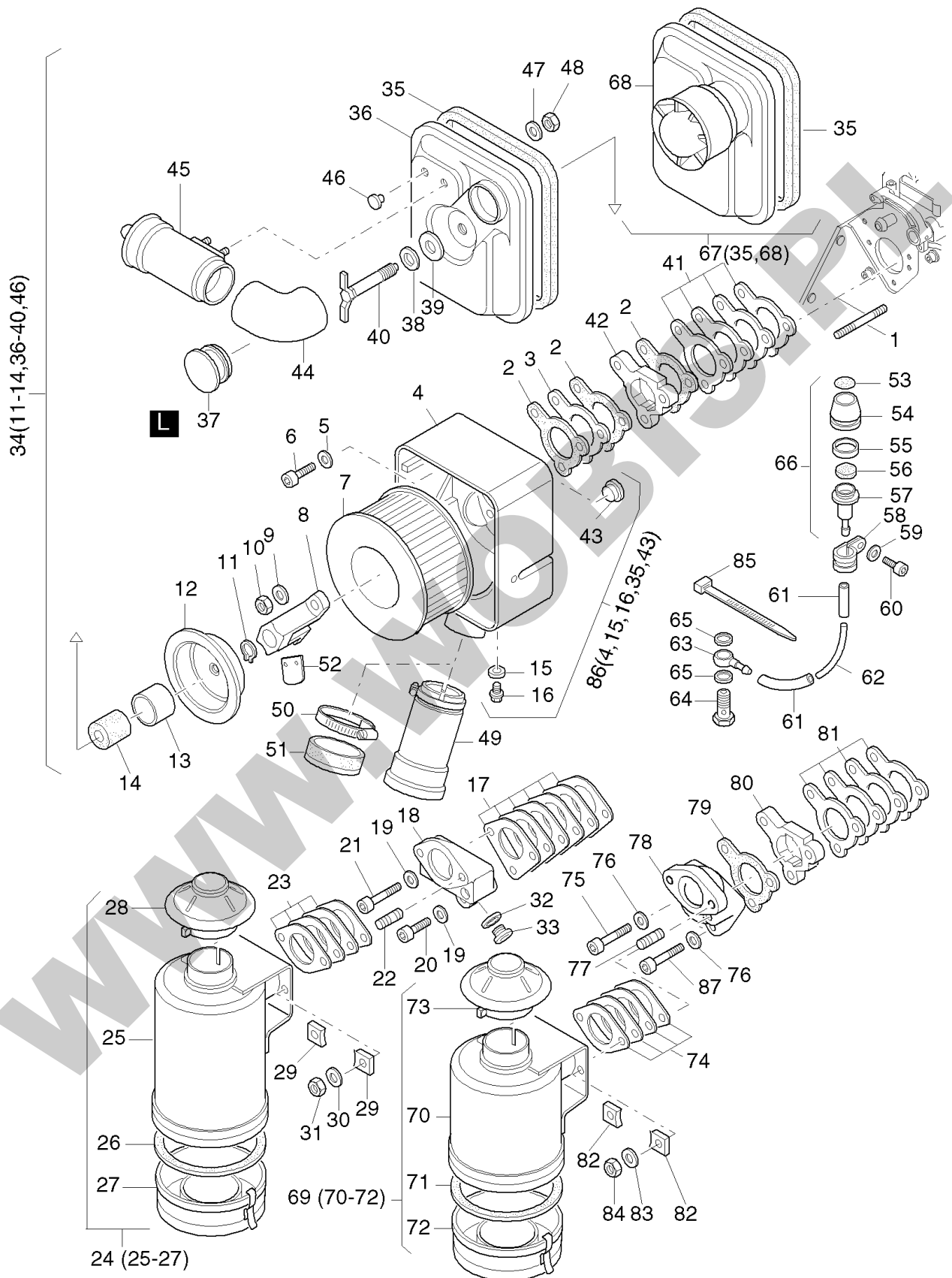
CD-ID: 001M1

Pos.	Part no.	Description	Qty.	Notice	Add. notice	kg	EA	TA	DA	dDPW	List price
1	01505101	GSKT.S.CYL.HEAD D41	1	Dichtungssatz für 1 Zylinderkopf part was replaced by 01505102		0,160	0	12	7	P1	
2	01279801	GASK.S.CRNKC.D30-50	1	part was replaced by 01279802		0,175	0	12	7		
3	01279910	MAINT.KIT D30/41C 1	1			1,200	1	12	1		352,4885
3	01292610	MAINT KIT 1D30/50 3	1			1,130	1	12	1		258,713
4	01505201	EMERGENCY KIT 1D41	1	Emergency kit		0,400	1	12	0		552,188
4	01522900	EMERGENCY KIT 1D41C	1	Emergency kit "C"		0,400	1	12	0		566,7935
5	01502100	RUBB.COMP.S.D30/41C	1			1,500	1	12	1		659,659
A	50223001	LOCTITE ACTIVATOR N	1	500 ML DIN 7649		0,580	4	12	0		270,7705
B	50223101	LOCTITE 574	1	50 ML		0,088	4	12	0		99,0535
C	50223200	LOCTITE 601	1	50 ML		0,079	4	12	0		99,0535
D	50223300	LOCTITE 221	1	50 ML		0,077	4	12	0		99,0535
E	50223400	LOCTITE 648	1	10 ML		0,021	4	12	0		38,6295
F	50223900	TECHNICOLL CLEANER	1	750 GR		0,870	4	12	0		101,2375
F	50223800	TECHNICL.ADHES.8058	1	750 GR		0,875	4	12	0		132,8145
G	50256501	LOCTITE IS 407	1	20 ML		0,033	4	12	0		52,143
H	50282501	SILICON SEALER	1	30ML 1207		0,055	4	12	1		48,23
J	50283004	HIGH TEMP.PASTE	1			0,110	4	12	0		71,617
K	50342600	GREASE START.DEVICE	1	100 GRAMM part was replaced by 50342601		0,100	0	12	0		
L	50256600	SILICON SEALER	1			0,130	4	12	0		193,4205
M	50485100	GRINDING PASTE 80ML	1			0,113	4	12	1		96,5055



**ORYGINALNE CZĘŚCI ZAMIENNE SERWIS GWARANCYJNY I POGWARANCYJNY WYMIARY
SERWISOWE ORAZ KATALOGI CZĘŚCI ZAMIENNYCH NA STRONIE WWW.WOBIS.PL/SERWIS**

Pos.	Part no.	Description	Qty.	Notice	Add. notice	kg	EA	TA	DA	dDPW	List price
1	04011900	BUSH	1	15x24x17	""S""	0,050	1	11	1		12,9675
2	03796401	SHAFT	1		""S""	0,072	1	11	1		53,9175
3	04011810	LEVER F.FEED PUMP	1			0,090	1	21	4		170,4885
4	04023600	PLUG	1	ø 25 mm	""S""	0,020	1	11	1		14,8785
5	50331800	O-RING 35 X 2,8	1	35 x 2,8		0,001	4	21	1		6,0515
6	50332302	FUEL FEED PUMP	1	part was replaced by 05301500		0,284	0	21	1		
7	50328300	HEXAGON NUT VM6	3	VM 6 DIN 980-8 A3C		0,002	4	11	1		1,4105
8	50001200	JOINT A14 X18	4	A 14 x 18 DIN 7603-Cu		0,001	4	11	1		1,001
9	50006400	BANJO BOLT 10-3	2	10-3 DIN 7643		0,029	4	11	1		8,6905
10	50015900	RING PIECE NW8	1	NW 8 / 6		0,025	4	11	1		18,0635
11	01468801	FUEL PIPE	1			0,070	1	21	5		90,4085
12	49062501	VALV.PLAT.W. O-RING	1	Reparatursatz, repair kit		0,075	4	23	0		95,6865
13	_noorder	No single order	-								
14	_noorder	No single order	-								
15	50399500	O-RING 37 X 2,5	1	37 x 2,5		0,001	9	21	0		7,189
16	_noorder	No single order	-								
17	_noorder	No single order	-								
18	_noorder	No single order	-								
19	_noorder	No single order	-								
20	_noorder	No single order	-								



**ORYGINALNE CZĘŚCI ZAMIENNE SERWIS GWARANCYJNY I POGWARANCYJNY WYMIARY
SERWISOWE ORAZ KATALOGI CZĘŚCI ZAMIENNYCH NA STRONIE WWW.WOBIS.PL/SERWIS**

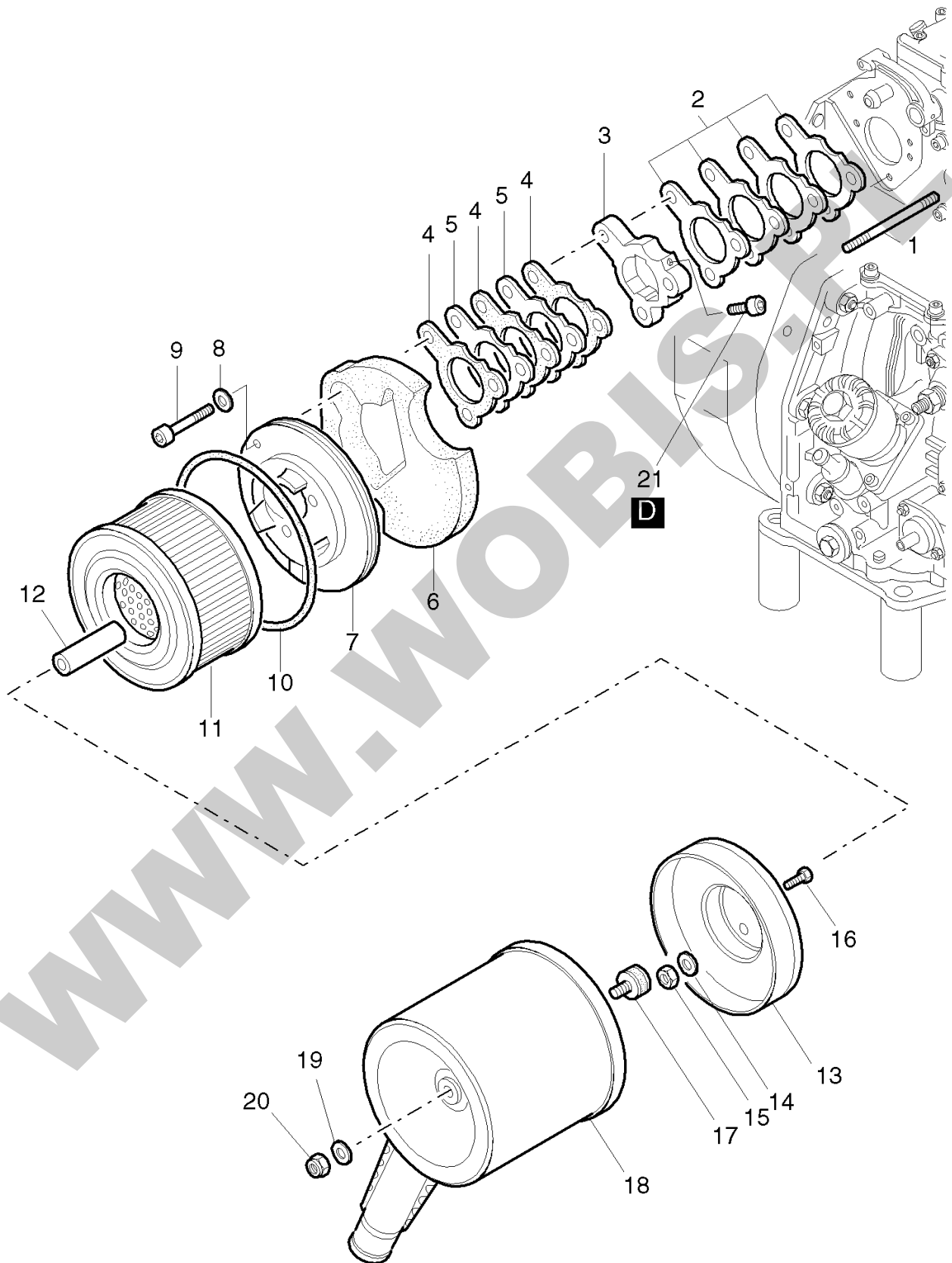
Pos.	Part no.	Description	Qty.	Notice	Add. notice	kg	EA	TA	DA	dDPW	List price
1	50038900	STUD M 8X 60	2	M 8 x 60 DIN 855-8.8		0,025	4	21	1		5,7785
2	04029800	GASKET	3			0,001	1	21	1	d3	3,003
3	04029701	INSULATING FLANGE	1			0,011	1	21	1		13,013
4	_noorder	No single order	-								
5	50095100	SPRING WASHER A 8	1	A 8 DIN 137 A3C		0,001	4	11	1		0,455
6	50080800	ALL.SCREW M 8X42	1	M 8 x 42 DIN 912-8.8		0,022	4	11	1		4,095
7	04030100	AIRFILTER ELEMENT	1			0,200	4	21	1	W2	54,509
8	01490900	RETAINING BRACKET	1			0,000	0	21	0		
9	50148100	FLAT WASHER 8,4	2	8,4 DIN 125-St A3C		0,002	4	11	1		0,455
10	50129500	HEXAGON NUT M 8	2	M 8 DIN 985-8 A3C		0,002	4	11	1		2,6845
11	50412000	CIRCLIP 10 X 1	1	A 10 x 1 DIN 471		0,001	4	11	1		0,455
12	05039200	CENTRING COVER	1			0,304	1	21	1		54,8275
13	05039300	BUSH 33X35X23,5	1	33 x 35 x 23,5		0,019	1	21	1		9,737
14	03579400	SEALING RING	1			0,012	1	11	1		18,746
15	50000900	JOINT A8X11,5	1	A 8 x 11,5 DIN 7603-Cu		0,001	4	11	1		0,455
16	50137900	CLOS.SCREW M8X1	1	M 8 x 1 DIN 7604		0,006	4	11	1		5,551
17	_nopart	Not in this engine	-								
18	_nopart	Not in this engine	-								
19	_nopart	Not in this engine	-								
20	_nopart	Not in this engine	-								
21	_nopart	Not in this engine	-								
22	_nopart	Not in this engine	-								
23	_nopart	Not in this engine	-								
24	_nopart	Not in this engine	-								
25	_noorder	No single order	-								
26	_nopart	Not in this engine	-								
27	_nopart	Not in this engine	-								
28	_nopart	Not in this engine	-								
29	_nopart	Not in this engine	-								
30	_nopart	Not in this engine	-								

**ORYGINALNE CZĘŚCI ZAMIENNE SERWIS GWARANCYJNY I POGWARANCYJNY WYMIARY
SERWISOWE ORAZ KATALOGI CZĘŚCI ZAMIENNYCH NA STRONIE WWW.WOBIS.PL/SERWIS**

Pos.	Part no.	Description	Qty.	Notice	Add. notice	kg	EA	TA	DA	dDPW	List price
31	_nopart	Not in this engine	-								
32	_nopart	Not in this engine	-								
33	_nopart	Not in this engine	-								
34	01496700	COVER F. AIRFILTER	1			0,386	1	22	1		144,1895
35	04061501	SEALING STR. 626 MM	1	630 mm		0,110	1	21	1		34,8075
36	_noorder	No single order	-								
37	05039402	CLOSING COVER	1			0,012	1	21	1		8,099
38	03814100	INSULATING DISC	1			0,002	1	21	1		4,368
39	05038700	WASHER 11 X 36 X 3	1	11 x 36 x 3		0,022	1	21	1		5,369
40	01490800	WING SCREW	1			0,074	1	21	1		52,871
41	01449100	GASKET AIRFILTER	1			0,030	1	21	1		13,4225
42	04053100	INTERMEDIATE FLANGE	1	part was replaced by 04053101		0,070	0	21	7		
43	50395700	COVER 15	1	15 PHT		0,001	9	11	0		7,189
44	05038910	ELBOW F. CYCLON	1			0,087	1	21	2		30,8035
45	01491010	CYCLONE	1			0,258	4	21	2		157,5665
46	50411900	CLOSING PLUG 7	2	F 2 PHT SCHW.		0,001	4	21	1		4,5955
47	50120000	DISC A 6,4	2	A 6,4 DIN 9021-St A3C		0,003	4	11	1		0,455
48	40028300	HEX.NUT M 6	2	VM 6 DIN 980 C3P		0,003	4	11	1		2,1385
49	01471200	CYCLONE	1			0,279	1	21	4		250,4775
50	50406600	HOSE CLIP 40/60	1	40 / 60		0,036	4	21	1		9,737
51	01481400	CAP AIR INTAKE	1			0,044	1	21	1		42,224
52	05033500	VALVE PLATE	1			0,001	1	21	1		2,3205
53	05044501	INDIC. PLATE	1			0,001	1	21	1		10,3285
54	05043601	RUBBER CAP	1			0,002	1	21	1		28,847
55	05045600	SIGNAL RING	1	(grün, green, vert, verde)		0,001	1	21	1		2,002
56	05137200	FILTER	1	Filter, Filtre, Filtro ø 20 mm		0,001	1	21	1		1,001
57	05043700	ADAPTER	1			0,014	1	21	1		40,8135
58	50173500	PIPE CLIP	1	10 / 15		0,010	4	11	1		6,8705
59	50170900	SPRING WASHER 6	1	6 DIN 128 - A3C		0,001	4	11	1		0,455
60	50170600	ALL.SCR.M 6X 20	1	M 6 x 20 DIN 912-8.8 A3C		0,007	4	11	1		1,729

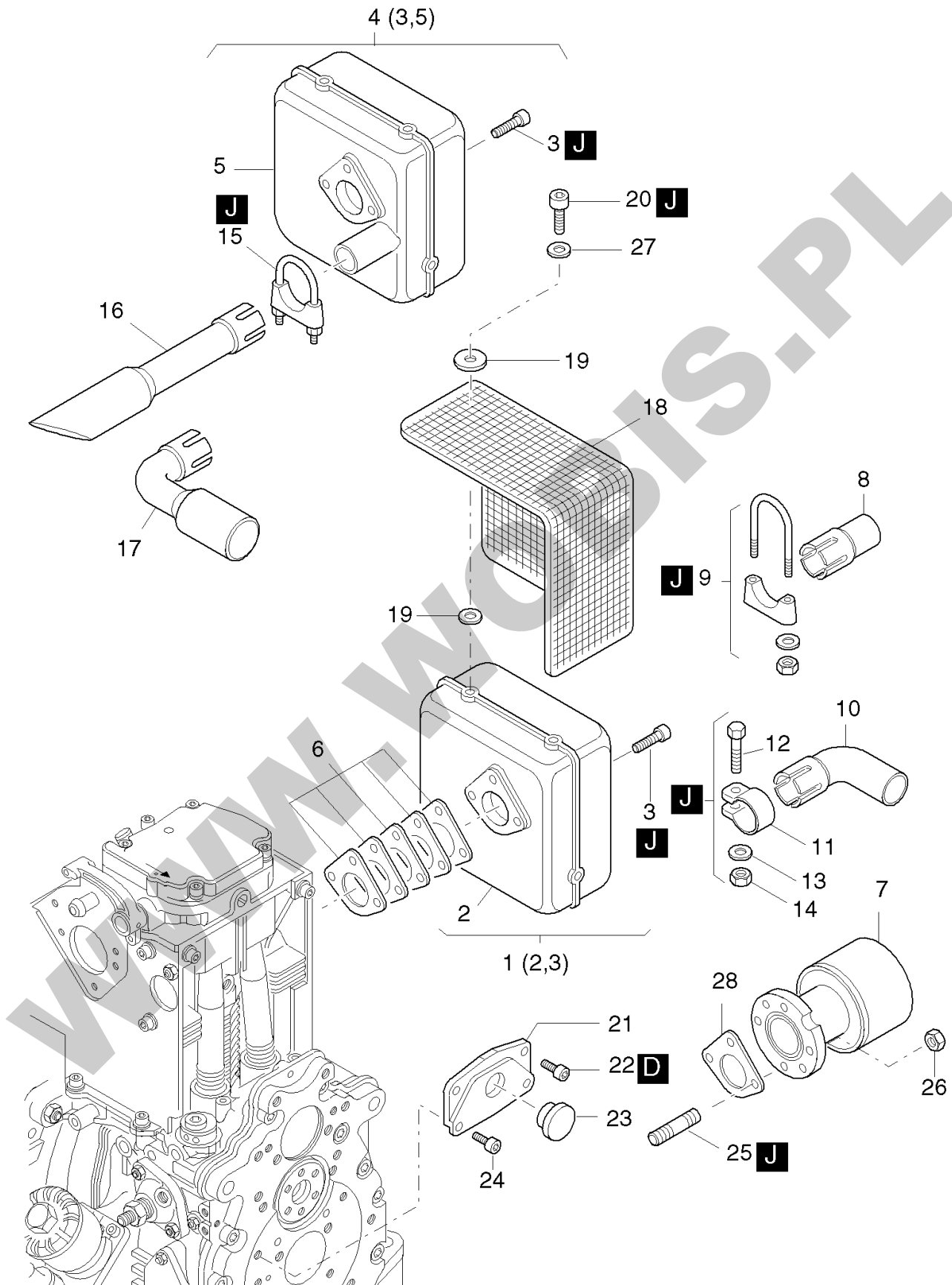
**ORYGINALNE CZĘŚCI ZAMIENNE SERWIS GWARANCYJNY I POGWARANCYJNY WYMIARY
SERWISOWE ORAZ KATALOGI CZĘŚCI ZAMIENNYCH NA STRONIE WWW.WOBIS.PL/SERWIS**

Pos.	Part no.	Description	Qty.	Notice	Add. notice	kg	EA	TA	DA	dDPW	List price
61	03961400	FUEL HOSE 3,5 X 50	2	3,5 x 50		0,002	1	21	0		2,457
62	05044600	HOSE 2 X 4 X 100	1	2 x 4 x 100		0,003	1	21	3		9,191
63	50015700	RING PIECE NW3	1	NW 3		0,007	4	11	1		9,5095
64	50006100	BANJO BOLT 4-5-3	1	4-5-3 DIN 7643		0,007	4	11	1		6,3245
65	50000900	JOINT A8X11,5	2	A 8 x 11,5 DIN 7603-Cu		0,001	4	11	1		0,455
66	01499801	MAINT.INDICATOR	1			0,026	1	21	1		82,446
67	01539300	COVER F. AIRFILTER	1			0,470	4	22	2		229,411
68	_noorder	No single order	-								
69	01647100	OILBATH AIRFILTER	1			1,825	4	21	2		449,995
70	_noorder	No single order	-								
71	49038000	PACKING RING	1			0,012	4	23	1		12,376
72	49037900	OIL CONTAINER	1			0,270	4	23	1		94,5035
73	40040400	RAIN PROTECTION CAP	1			0,065	4	11	1		72,2995
74	01651400	GASKET AIRFILTER	1	part was replaced by 01651401		0,025	9	21	0		14,0595
75	50177200	ALL.SCR.M 8X 80	2	M 8 x 80 DIN 912-8.8 A3C		0,035	4	21	2		5,915
76	50095100	SPRING WASHER A 8	3	A 8 DIN 137 A3C		0,001	4	11	1		0,455
77	50145700	STUD M 10X 20	2	M 10 x 20 DIN 835-8.8 A3C		0,020	0	21	2		3,731
78	05173100	INTERMEDIATE FLANGE	1			0,000	0	21	0		
79	04029800	GASKET	1			0,001	1	21	1	d3	3,003
80	04053100	INTERMEDIATE FLANGE	1	part was replaced by 04053101		0,070	0	21	7		
81	01449100	GASKET AIRFILTER	1			0,030	1	21	1		13,4225
82	03945400	PLATE	2			0,047	1	21	2		12,5125
83	50135600	SPRING WASHER 10	2	10 DIN 128 A3C		0,002	4	21	1		0,455
84	50145800	HEXAGON NUT M 10	2	M 10 DIN 934-8 A3C		0,011	4	11	1		2,002
85	50358400	STRAP	1	200 x 4,8 mm SCHWARZ		0,001	4	11	1		0,6825
86	01498300	AIRFILTER HOUSING	1	part was replaced by 01498301		1,105	0	21	7		
87	50177200	ALL.SCR.M 8X 80	1	M 8 x 80 DIN 912-8.8 A3C		0,035	4	21	2		5,915
L	50256600	SILICON SEALER	1			0,130	4	12	0		193,4205



**ORYGINALNE CZĘŚCI ZAMIENNE SERWIS GWARANCYJNY I POGWARANCYJNY WYMIARY
SERWISOWE ORAZ KATALOGI CZĘŚCI ZAMIENNYCH NA STRONIE WWW.WOBIS.PL/SERWIS**

Pos.	Part no.	Description	Qty.	Notice	Add. notice	kg	EA	TA	DA	dDPW	List price
1	50412100	STUD M8 X 125	2	M 8x 125 DIN 835-5.8		0,045	4	21	4		9,191
2	01449100	GASKET AIRFILTER	1			0,030	1	21	1		13,4225
3	04053101	INTERMEDIATE FLANGE	1			0,069	1	21	1		38,311
4	04029800	GASKET	3			0,001	1	21	1		3,003
5	04029701	INSULATING FLANGE	2			0,011	1	21	1		13,013
6	04063201	INSULATION PLATE	1			0,016	1	21	4		35,217
7	04054701	MOUNT.PLATE AIR FIL	1			0,327	1	21	4		203,9765
8	50095100	SPRING WASHER A 8	1	A 8 DIN 137 A3C		0,001	4	11	1		0,455
9	50342400	ALL.SCR.M 8X 50	1	M 8 x 50 DIN 6912-8.8 A3C		0,022	4	21	2		4,3225
10	04055700	O-RING 135DU X 6	1	135 x 6		0,007	1	21	4		16,198
11	04030100	AIRFILTER ELEMENT	1			0,200	4	21	1	W2	54,509
12	04039610	BUSH 9X16X64,7	2	9 x 16 x 64,7		0,080	1	21	4		29,848
13	01558800	CENTERING COVER	1			0,446	1	21	4		174,1285
14	50148100	FLAT WASHER 8,4	2	8,4 DIN 125-St A3C		0,002	4	11	1		0,455
15	50129500	HEXAGON NUT M 8	2	M 8 DIN 985-8 A3C		0,002	4	11	1		2,6845
16	50333500	HEXSCREW M 6X 8	1	M 6 x 8 DIN 933-8.8 A3C		0,004	4	11	1		1,5015
17	50395100	ANTI VIBR.MOUNTINGS	1	25 / 25		0,034	4	21	4		25,662
18	01281100	AIR FILTER HOUSING	1			0,690	1	21	4		356,902
19	50144500	FLAT WASHER 6,4	1	6,4 DIN 125-St A3C		0,001	4	11	1		0,455
20	40028300	HEX.NUT M 6	1	VM 6 DIN 980 C3P		0,003	4	11	1		2,1385
21	50112600	ALL.SCR.M 5X 10	1	M 5 x 10 DIN 6912-8.8 A3C		0,003	4	11	1		2,6845
D	50223300	LOCTITE 221	1	50 ML		0,077	4	12	0		99,0535

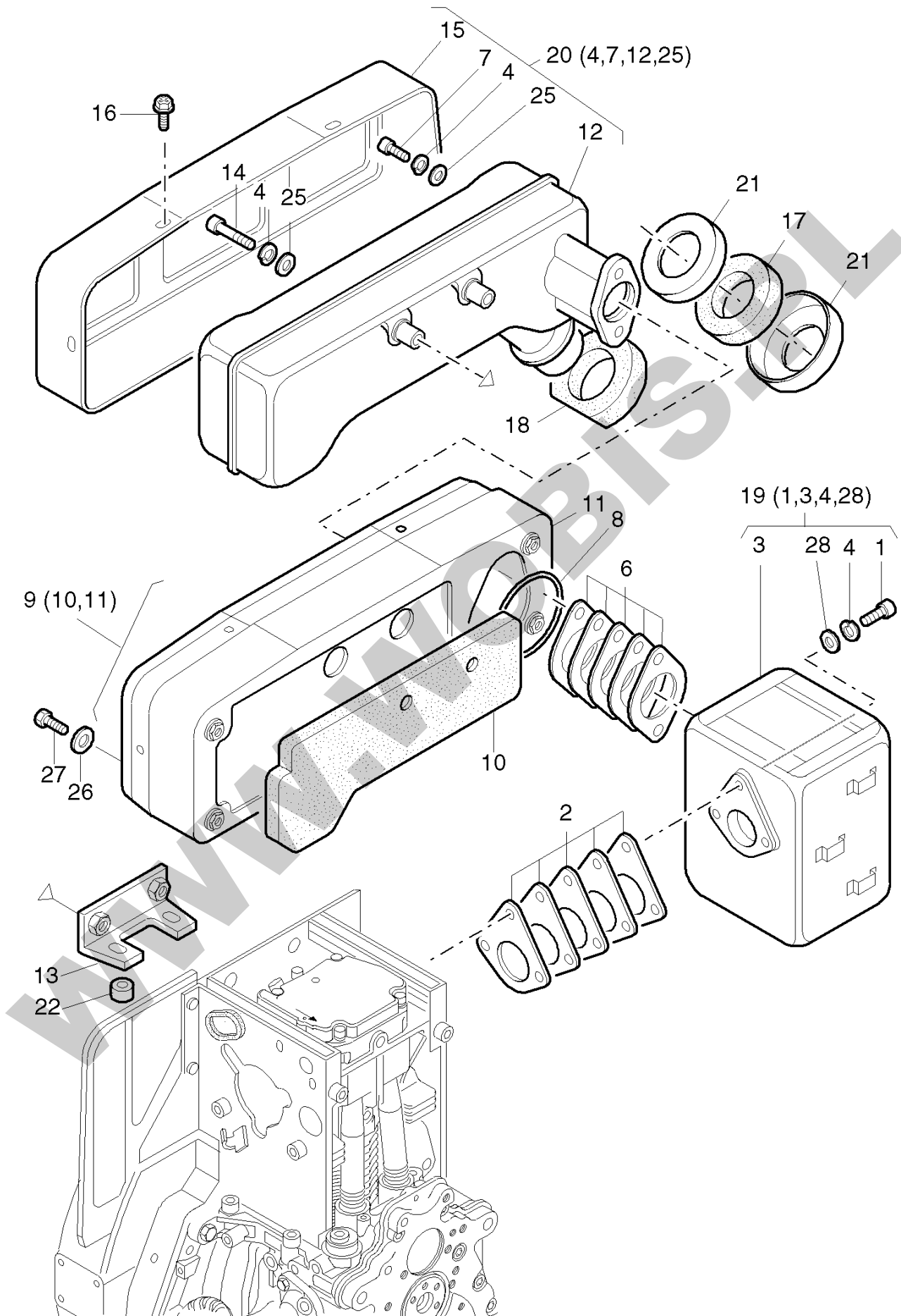


**ORYGINALNE CZĘŚCI ZAMIENNE SERWIS GWARANCYJNY I POGWARANCYJNY WYMIARY
SERWISOWE ORAZ KATALOGI CZĘŚCI ZAMIENNYCH NA STRONIE WWW.WOBIS.PL/SERWIS**

Pos.	Part no.	Description	Qty.	Notice	Add. notice	kg	EA	TA	DA	dDPW	List price
1	01558600	EXHAUST SILENCER	1			3,645	1	22	1		784,238
2	_noorder	No single order	-								
3	50403900	ALL.SCR.M 8 X 25	3	M 8 x 25 DIN 912-8.8 C4P		0,015	4	21	1		2,2295
4	01507700	EXHAST.SILENC. TOP	1			3,651	1	22	1		784,238
5	_noorder	No single order	-								
6	01489310	GASKET EXHST.SIL. S	1			0,040	1	21	4	d1	23,1595
7	01500901	EXHAUST SILENCER	1			0,830	1	21	2		256,165
8	03998300	EXHAUST TUBE	1			0,112	1	21	4		82,901
9	00873100	PIPE CLIP 40/42	1	40 / 42		0,108	4	21	2		25,662
10	03740800	EXHAUST ELBOW	1	ø 38		0,140	1	21	5		
11	03740900	PIPE CLIP 41,5	1	41,5 mm		0,087	1	21	1		16,198
12	50380000	HEXSCREW M 8 X 50	1	M 8 x 50 DIN 931-8.8 A3C part was replaced by 50028100		0,025	4	21	1		2,6845
13	50148100	FLAT WASHER 8,4	1	8,4 DIN 125-St A3C		0,002	4	11	1		0,455
14	40028400	HEX.NUT M 8	1	VM 8 DIN 980-8 C3A		0,008	4	11	1		2,2295
15	50388000	PIPE CLIP 1 1/8-28	1	1/8-28 883-2 A3C		0,103	4	21	2		16,3345
16	03997301	EXHAUST TUBE	1			0,253	1	21	2		129,675
17	03997200	EXHAUST ELBOW	1			0,245	1	21	2		178,633
18	05140700	GUARD	1			0,330	1	21	1		139,1845
19	05034202	SPRING WASHER	8	6,5 x 38		0,010	1	21	1		4,823
20	50255700	ALL.SCR.M 6X 12	4	M 6 x12 DIN 912-8.8 C4A		0,005	4	21	1		1,729
21	03985300	GUARD	1			0,056	1	21	2		33,67
22	50135700	ALL.SCR.M10X 16	2	M 10 x 16 DIN 912-8.8 A3C		0,021	4	21	1		3,6855
23	40091400	CLOSING CAP	1	F24 SCHW.		0,004	4	21	2		3,6855
24	50165400	ALL.SCR.M 8X 16	2	M 8 x 16 DIN 912-8.8 A3C		0,009	4	21	1		2,6845
25	50037800	STUD M 8X 22	2	M 8 x 22 DIN 835-10.9		0,012	4	11	1		3,003
26	40028400	HEX.NUT M 8	2	VM 8 DIN 980-8 C3A		0,008	4	11	1		2,2295
27	50120000	DISC A 6,4	4	A 6,4 DIN 9021-St A3C		0,003	4	11	1		0,455
28	03974100	GASKET	9			0,007	0	21	1		
D	50223300	LOCTITE 221	1	50 ML		0,077	4	12	0		99,0535

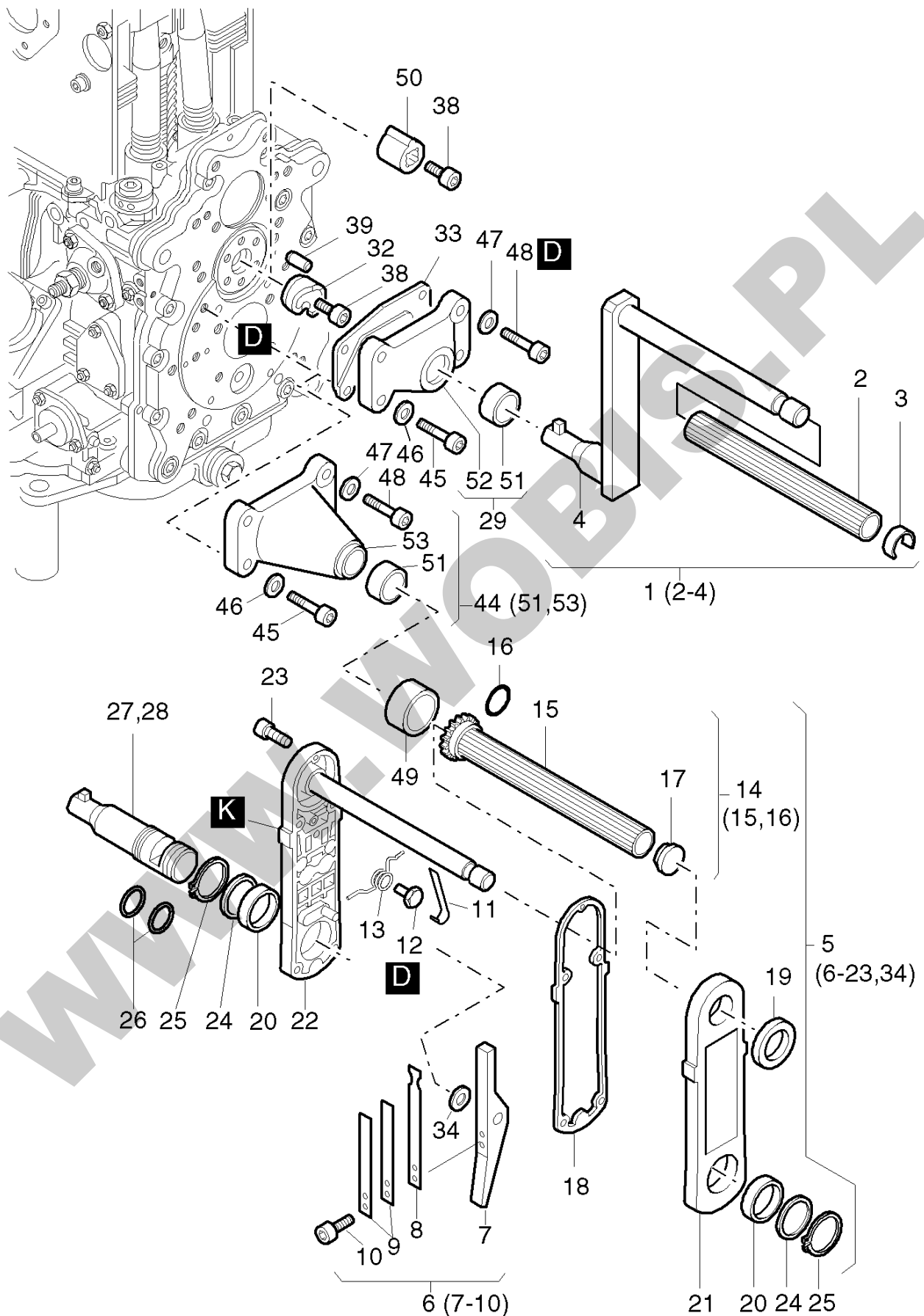
**ORYGINALNE CZĘŚCI ZAMIENNE SERWIS GWARANCYJNY I POGWARANCYJNY WYMIARY
SERWISOWE ORAZ KATALOGI CZĘŚCI ZAMIENNYCH NA STRONIE WWW.WOBIS.PL/SERWIS**

Pos.	Part no.	Description	Qty.	Notice	Add. notice	kg	EA	TA	DA	dDPW	List price
J	50283004	HIGH TEMP.PASTE	1			0,110	4	12	0		71,617



**ORYGINALNE CZĘŚCI ZAMIENNE SERWIS GWARANCYJNY I POGWARANCYJNY WYMIARY
SERWISOWE ORAZ KATALOGI CZĘŚCI ZAMIENNYCH NA STRONIE WWW.WOBIS.PL/SERWIS**

Pos.	Part no.	Description	Qty.	Notice	Add. notice	kg	EA	TA	DA	dDPW	List price
1	50429600	ALL.SCREW M 8 X 35	3	M 8 x 35 DIN 912-8.8 C4P		0,015	4	21	1		1,8655
2	01427900	GASKET EXHAUST SIL.	1			0,030	1	21	1		18,20
3	_noorder	No single order	-								
4	50347301	SPRING WASHER 8	7	VHZ 8 A3C		0,001	4	11	1		0,455
6	01309300	GASK.SET EXHST.SIL.	1			0,040	1	21	1		13,4225
7	50403900	ALL.SCR.M 8 X 25	2	M 8 x 25 DIN 912-8.8 C4P		0,015	4	21	1		2,2295
8	_nopart	Not in this engine	-								
9	01309400	EXHAUST CAPS.INSIDE	1			1,118	1	21	1		343,0245
10	04078800	INSULATION PLATE	1			0,008	1	21	1		15,288
11	_noorder	No single order	-								
12	_noorder	No single order	-								
13	01307800	SUPPORT	1			0,023	1	21	1		57,967
14	50404100	ALL.SCREW M 8 X 60	2	M 8 x 60 DIN 912-8.8 C4P		0,030	4	21	1		3,8675
15	01307501	EXHAUST CAPS.OUTSID	1			0,855	1	21	1		190,0535
16	50289200	HEXSCREW M 6X 12	8	M 6 x 12 KZ 1-8.8 A3D		0,005	4	11	1		1,8655
17	04079500	SEALING RING	1	33 x 62x 15		0,001	1	21	1		6,7795
18	_nopart	Not in this engine	-								
19	01309600	PRE SILENCER "C"	1			4,183	1	12	0		905,9505
20	01309500	SILENCER "C"	1			3,566	1	12	1		2428,6535
21	04079400	CENTRING DISC	2			0,014	1	21	1		10,01
22	04064600	BUSH	2	8,4 x 19 x 5,5		0,010	1	21	1		8,099
25	50115700	DISC 8,4	4	8,4 DIN433-St 140 HV		0,002	4	11	1		0,455
26	_nopart	Not in this engine	-								
27	_nopart	Not in this engine	-								
28	50115700	DISC 8,4	3	8,4 DIN433-St 140 HV		0,002	4	11	1		0,455

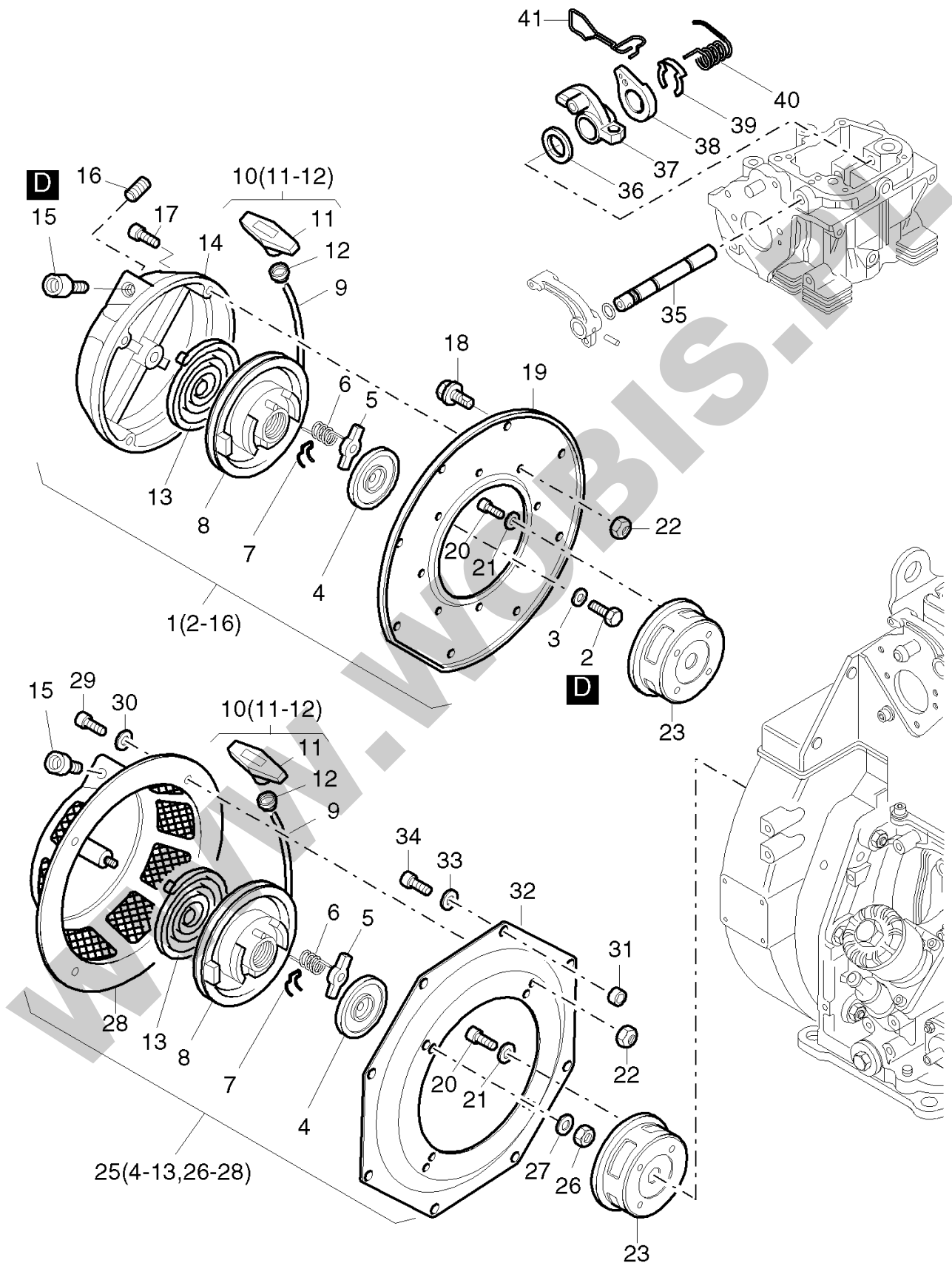


**ORYGINALNE CZĘŚCI ZAMIENNE SERWIS GWARANCYJNY I POGWARANCYJNY WYMIARY
SERWISOWE ORAZ KATALOGI CZĘŚCI ZAMIENNYCH NA STRONIE WWW.WOBIS.PL/SERWIS**

Pos.	Part no.	Description	Qty.	Notice	Add. notice	kg	EA	TA	DA	dDPW	List price
1	01248002	STARTING HANDLE 80	1	80 mm		1,350	1	21	2		304,1675
1	01426502	STARTING HANDLE 140	1	140 mm		1,450	1	21	4		414,1865
1	01426702	STARTING HANDLE 160	1	160 mm		1,500	1	21	4		417,872
1	01433202	STARTING HANDLE 275	1	275 mm		1,870	1	21	4		473,837
1	01469800	STARTING HANDLE 330	1	330 mm		2,370	1	21	0		493,0835
1	01407302	STARTING HANDLE 200	1	200 mm		1,600	1	21	4		455,5005
2	03522400	HANDLE	1			0,050	1	21	2		21,931
3	03515400	SNAP RING	1			0,001	1	21	2		6,1425
4	_noorder	No single order	-								
5	01027805	CR.HANDLE-SAFETY A	1	"A"		1,440	1	21	1		785,1935
6	01011404	LEVER	1			0,125	1	21	1		160,888
7	_noorder	No single order	-								
8	03812102	PLATE SPRING	1			0,007	1	21	1		13,5135
9	03917100	PLATE SPRING	2			0,006	1	21	1		11,648
10	50316500	ALL.SCREW M 5X 8	2	M 5 x 8 DIN 6912-8.8 A3C		0,002	4	11	1		2,912
11	03954900	PLATE SPRING	1			0,005	1	21	1		11,648
12	03955600	HEXSCREW	1			0,003	1	21	1		11,648
13	03955900	SPRING A	1	"A"		0,002	1	21	1		11,648
14	01011310	HANDLE CPL.	1			0,100	1	22	0		202,8845
15	_noorder	No single order	-								
16	50169100	O-RING19 X 1,8	1	19 x 1,8		0,001	4	21	1		1,729
17	50199200	CLOSING PLUG	1	V18 NATUR		0,002	4	21	1		2,3205
18	03813000	GASKET	1			0,001	1	21	1		7,007
19	50194200	OIL SEAL 28X35X4	1	28 x 35 x 4		0,004	4	21	1		26,117
20	50193400	BUSH	2			0,014	4	11	1		11,2385
21	_noorder	No single order	-								
22	_noorder	No single order	-								
23	50194400	ALL.SCR.M 6X 25	5	M 6 x 25 WN 11084-8.8 Zn		0,006	4	21	5		
24	03928600	SHIM 30X38X0,15	0... 2	30 x 38 x 0,15		0,001	1	21	2		4,186
25	50194300	CIRCLIP AK 30 X 1,5	2	A 30 x 1,5 K DIN 983		0,003	4	21	2		4,4135

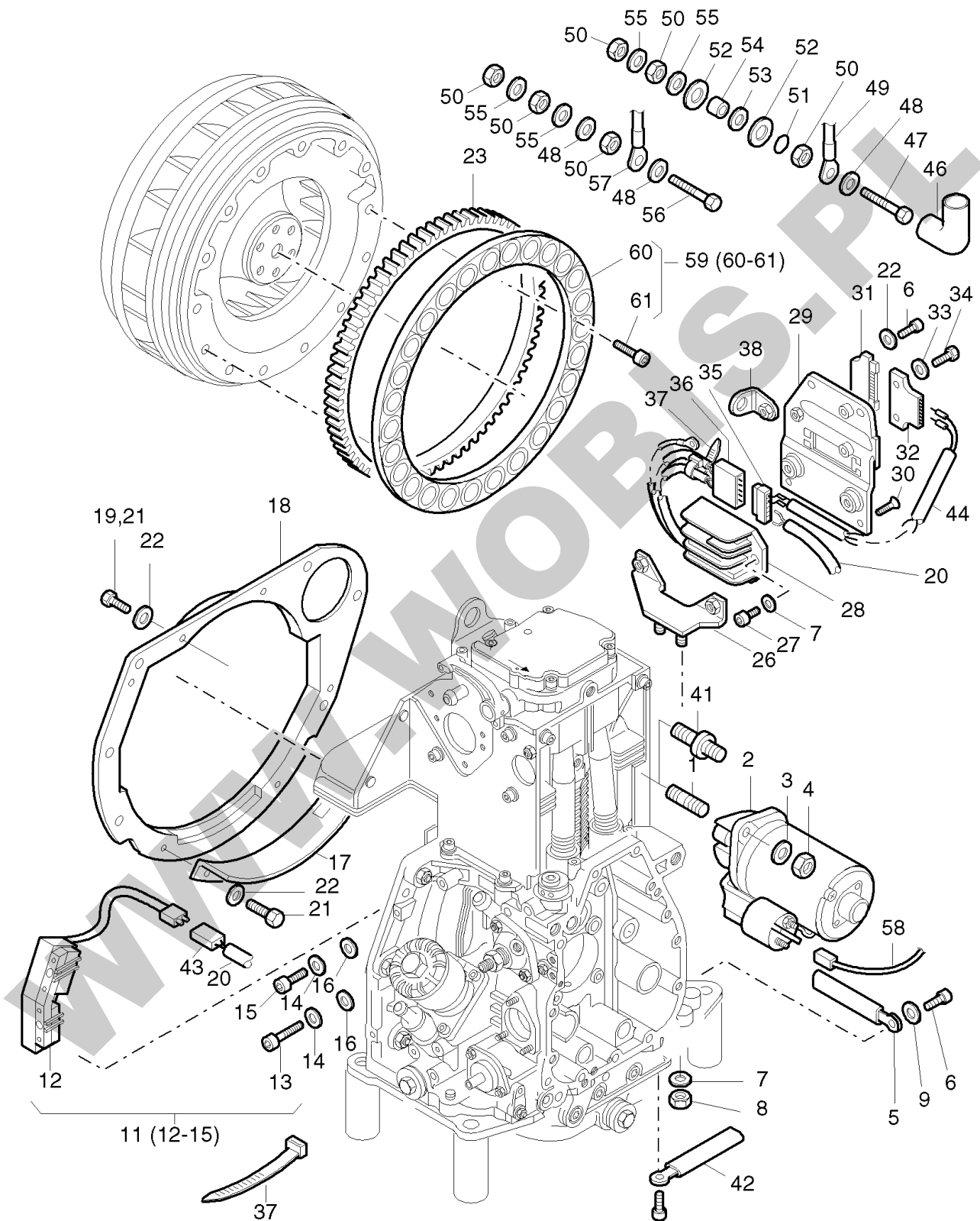
**ORYGINALNE CZĘŚCI ZAMIENNE SERWIS GWARANCYJNY I POGWARANCYJNY WYMIARY
SERWISOWE ORAZ KATALOGI CZĘŚCI ZAMIENNYCH NA STRONIE WWW.WOBIS.PL/SERWIS**

Pos.	Part no.	Description	Qty.	Notice	Add. notice	kg	EA	TA	DA	dDPW	List price
26	50258500	O-RING 26 X1,5	2	26 x 1,5		0,001	4	11	1		1,729
27	01421102	CR-HANDLE SHAFT 275	1	275 mm		0,910	1	21	4		407,3615
27	01411402	CR-HANDLE SHAFT 200	1	200 mm		0,720	1	21	2		341,796
27	01469700	CR-HANDLE SHAFT 330	1	330 mm		1,350	1	21	4		391,3455
27	01187202	CR-HANDLE SHAFT 80	1	80 mm		0,410	1	21	2		277,6865
27	01426902	CR-HANDLE SHAFT 160	1	160 mm		0,670	1	21	4		342,4785
27	01426802	CR-HANDLE SHAFT 140	1	140 mm		0,585	1	21	2		328,3735
28	_nopart	Not in this engine	-								
29	01463600	GUIDING SHELL	1			0,200	1	21	1		126,1715
32	04020310	CRANK JAW LEFT	1			0,054	1	21	1		146,4645
33	03985300	GUARD	1			0,056	1	21	2		33,67
34	50195800	SHIM 10X16X1,0	1	10 x 16 x 0,5 DIN 988		0,001	4	11	1		1,4105
38	50134900	ALL.SCR.M 8X 16	1	M 8 x 16 DIN 6912-8.8 A3C		0,009	4	11	1		3,1395
39	50387100	CYL.PIN 5X20	1	5 M 6 x 20 DIN 6325		0,003	4	11	1		3,003
44	01459500	GUIDING SHELL	1	80 - 200 mm		0,274	1	21	2		148,239
44	01433300	GUIDING SHELL	1	200 - 265 mm	""C""	0,269	1	21	2		164,164
45	50183000	ALL.SCR. M 8X 35	2	M 8 x 35 DIN 912-8.8 A3C		0,018	4	11	1		1,547
46	50148100	FLAT WASHER 8,4	2	8,4 DIN 125-St A3C		0,002	4	11	1		0,455
47	50145900	FLAT WASHER 10,5	2	B 10,5 DIN 125-St A3C		0,004	4	11	1		1,4105
48	50327800	ALL.SCR.M10X 35	2	M 10 x 35 DIN 912-8.8 A3C		0,031	4	21	1		3,6855
49	03579700	SEALING RING	1		""C""	0,006	1	21	2		26,6175
50	04082900	CRANKING DEVICE	1	1/2"		0,066	1	21	2		70,0245
51	50387601	BUSH 1 INCH	1	1"		0,015	4	11	1		16,016
52	_noorder	No single order	-								
53	_noorder	No single order	-								
D	50223300	LOCTITE 221	1	50 ML		0,077	4	12	0		99,0535
K	50342600	GREASE START.DEVICE	1	100 GRAMM part was replaced by 50342601		0,100	0	12	0		



**ORYGINALNE CZĘŚCI ZAMIENNE SERWIS GWARANCYJNY I POGWARANCYJNY WYMIARY
SERWISOWE ORAZ KATALOGI CZĘŚCI ZAMIENNYCH NA STRONIE WWW.WOBIS.PL/SERWIS**

Pos.	Part no.	Description	Qty.	Notice	Add. notice	kg	EA	TA	DA	dDPW	List price
1	01172702	RECOIL STARTER	1			0,781	1	11	0		485,485
2	50146300	HEXSCREW M 6X 18	1	M 6 x 18 DIN 933-8.8 A3C		0,005	4	11	1		1,001
3	50165600	SPRING WASHER6,5X14	1	6,5 x 14 DIN 6904 A3C		0,001	9	11	0		0,455
4	05045001	BRAKE DISC	1			0,011	1	11	1		11,6025
5	05044800	RATCHET F.REV.START	1			0,026	1	11	1		16,3345
6	05061300	RETURN SPRING	1			0,001	1	11	1		10,738
7	05044901	BRAKE SPRING	1			0,003	1	11	1		11,648
8	01548800	ROPE PULLEY	1			0,170	1	12	1		81,627
9	05088901	ROPE RECL.STR1750MM	1	1750 mm 1 B 30/40		0,025	1	11	1		
10	01497800	HANDLE F.REV.START	1			0,022	1	12	1		24,024
11	_noorder	No single order	-								
12	03665200	RUBBER SLEEVE	1			0,002	1	11	1		5,369
13	05045201	RETURN SPRING	1			0,092	1	11	1		
14	03944602	HOUSINGF.RECOIL-ST	1			0,447	1	11	4		184,002
15	03946800	GUIDING PIECE	1			0,012	1	11	4		29,484
16	50043700	CLOS.SCREW M12X1,5	1	M 12 x 1,5 DIN 906		0,005	4	11	4		3,6855
17	50170700	ALL.SCR.M 6 X 16	4	M 6 x 16 DIN 912-8.8 A3C		0,006	4	11	1		1,729
18	50289200	HEXSCREW M 6X 12	8	M 6 x 12 KZ 1-8.8 A3D		0,005	4	11	1		1,8655
19	05091200	ADAPTER RING	1			0,837	1	21	0		250,4775
20	50170700	ALL.SCR.M 6 X 16	4	M 6 x 16 DIN 912-8.8 A3C		0,006	4	11	1		1,729
21	50170900	SPRING WASHER 6	4	6 DIN 128 - A3C		0,001	4	11	1		0,455
22	50328300	HEXAGON NUT VM6	4	VM 6 DIN 980-8 A3C		0,002	4	11	1		1,4105
23	05077900	DRIVING SLEEVE	1			0,260	1	11	0		141,3685
25	_nopart	Not in this engine	-								
26	_nopart	Not in this engine	-								
27	_nopart	Not in this engine	-								
28	_noorder	No single order	-								
29	_nopart	Not in this engine	-								
30	_nopart	Not in this engine	-								
31	_nopart	Not in this engine	-								

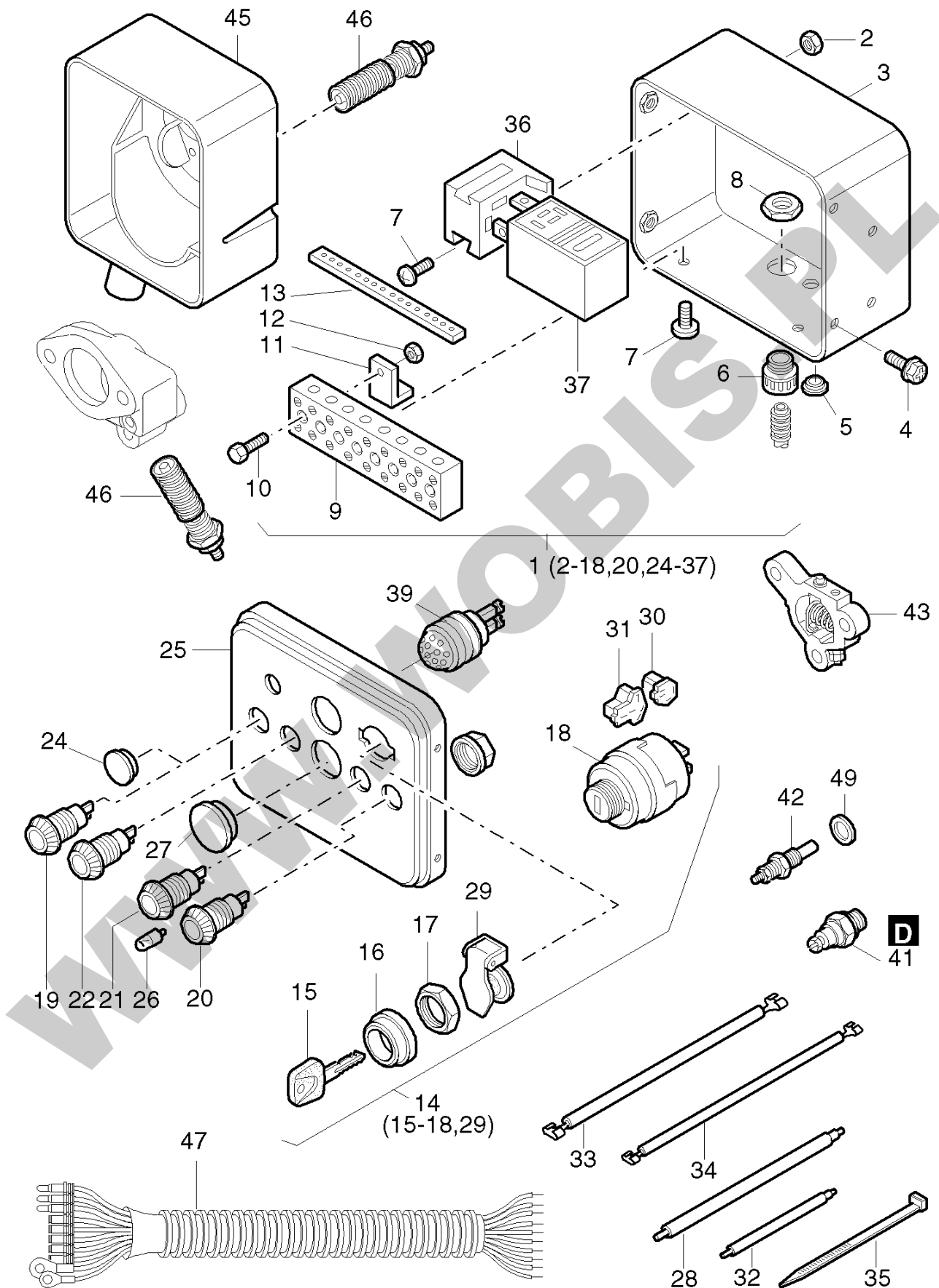


**ORYGINALNE CZĘŚCI ZAMIENNE SERWIS GWARANCYJNY I POGWARANCYJNY WYMIARY
SERWISOWE ORAZ KATALOGI CZĘŚCI ZAMIENNYCH NA STRONIE WWW.WOBIS.PL/SERWIS**

Pos.	Part no.	Description	Qty.	Notice	Add. notice	kg	EA	TA	DA	dDPW	List price
1	50486400	STUD M12X 50	2	M 12 x 50Fo DIN 835-8.8 A3C		0,066	4	21	1		7,9625
2	50353511	STARTER 12V 1,6KW	1	12 V - 1,6 kW "S, Z, C" part was replaced by 01721000		0,000	0	21	0		
2	50389700	STARTER 12V 2KW T/U	1	12 V - 2,0 kW "T-U"		3,700	9	21	0		2534,714
2	50382201	STARTER 24V S/Z/C	1	24 V - 1,6 kW "S, Z, C" part was replaced by 50496400		3,858	0	21	0		
3	50093700	FLAT WASHER A 13	2	13 DIN 125-St A3C		0,006	4	11	1		1,729
4	50380600	HEXAGON NUT M 12	2	M 12 DIN 970-8 A3C		0,014	4	21	1		2,912
5	05001200	CLIP	2			0,005	1	21	1		7,644
6	50149100	ALLEN SCREW M 6X 12	2	M 6 x 12 DIN 912-8.8 A3C		0,005	4	11	1		1,092
7	50208500	SPRING WASHER 8	4	8 DIN 128 A3C		0,001	4	11	1		1,4105
8	50148000	HEXAGON NUT M 8	2	M 8 DIN 934-8 A3C		0,005	4	11	1		1,4105
9	50144500	FLAT WASHER 6,4	1	6,4 DIN 125-St A3C		0,001	4	11	1		0,455
11	_nopart	Not in this engine	-								
12	01440710	COIL WITH WIRE 12V	1	12 V		0,400	1	21	1		436,891
12	01440810	COIL WITH WIRE 24V	1	24 V		0,400	1	21	4		436,891
13	50236600	ALL SCR.M 6X 25	1	M 6 x 25 DIN 6912-8.8 A3C		0,006	4	11	1		2,912
14	50165600	SPRING WASHER6,5X14	2	6,5 x 14 DIN 6904 A3C		0,001	9	11	0		0,455
15	50448700	ALL.SCR.M 6X 30	1	M 6 x 30 DIN 6912-8.8 A3C		0,007	4	21	1		2,3205
16	50144500	FLAT WASHER 6,4	1	6,4 DIN 125-St A3C		0,001	4	11	1		0,455
17	_nopart	Not in this engine	-								
18	04031810	PARTING SHEET	1			0,233	1	21	1		80,535
19	_nopart	Not in this engine	-								
20	01558300	ELECTRIC WIRE GEN.	1	350W		0,085	1	21	2		70,161
21	50165500	HEXSCREW M 6X 12	5	M 6 x 12 DIN 933-8.8 A3C		0,004	4	11	1		1,5015
22	50170900	SPRING WASHER 6	6	6 DIN 128 - A3C		0,001	4	11	1		0,455
23	04032310	GEARRING S/Z/C	1			0,582	1	21	1		272,1355
23	03997500	GEARRING T/U	1			0,650	9	21	0		278,551
26	01440401	SUPPORT	1			0,106	1	21	5		
27	50165400	ALL.SCR.M 8X 16	2	M 8 x 16 DIN 912-8.8 A3C		0,009	4	21	1		2,6845

**ORYGINALNE CZĘŚCI ZAMIENNE SERWIS GWARANCYJNY I POGWARANCYJNY WYMIARY
SERWISOWE ORAZ KATALOGI CZĘŚCI ZAMIENNYCH NA STRONIE WWW.WOBIS.PL/SERWIS**

Pos.	Part no.	Description	Qty.	Notice	Add. notice	kg	EA	TA	DA	dDPW	List price
28	01248122	REGULATOR 12V	1	12V part was replaced by 01248123		0,050	0	21	7		
28	01425022	REGULATOR 24V	1	part was replaced by 01425023		0,050	0	21	7		
29	01440100	FASTENING PLATE	1			0,372	1	21	1		102,8755
30	50380800	CTR.SUNK SCR.M6X10	2	M 6 x 10 DIN 7991 -8.8 A3C		0,003	4	21	1		2,5935
31	50373700	PLUG SLEEVE HOUSING	1			0,005	4	21	1		16,835
32	50373600	PIN TERM.HOUS.6 WAY	1			0,007	4	21	1		16,835
33	50216300	WASHER 5,3	2	5,3 DIN 125-St A3C		0,001	4	11	1		0,455
34	50335700	HEXSCREW M 5X 25	2	M 5 x 25 DIN 933-8.8 A3C		0,005	4	11	1		1,4105
35	50402100	PLUG SLEEVE HOUSING	1	4-P.		0,003	4	21	1		26,2535
36	50402000	PLUG HOUSING 4-P.	1			0,002	4	21	1		26,2535
37	50358400	STRAP	4	200 x 4,8 mm SCHWARZ		0,001	4	11	1		0,6825
38	01440500	SUPPORT	1			0,020	1	21	1		13,013
41	04054200	COLLAR SCREW	2			0,062	9	21	0		47,957
42	05023900	CLIP	2			0,006	1	21	1		7,553
43	50379700	PLUG HOUSING 2-P.	1			0,002	4	21	1		12,9675
44	01439400	WIRING HARNESS	1			0,020	1	21	1		93,821
46	40026600	PROTECTION CAP	1			0,005	4	11	1		11,011
47	50400300	HEXSCREW M 8X 40	1	M 8 x 40 DIN 933-MS		0,020	4	21	1		8,6905
48	50179900	TOOTH.LOCK WASH.J 8	2	J 8,4 Zn DIN 6997 A3C		0,001	4	21	1		0,455
49	01430800	ELECTRIC WIRE B+	1	"Plus"		0,055	1	21	1		47,7295
50	50023000	HEXAGON NUT M 8	3	M 8 DIN 934-MS		0,005	4	11	1		2,6845
51	50426900	SERRATED WASH. A8,4	1	A 8,4 DIN 6798 A3C		0,001	4	21	1		0,455
52	03814100	INSULATING DISC	2			0,002	1	21	1		4,368
53	50426800	TOOTH.LOCK J 10,5	1	J 10,5 DIN 6797 A3C		0,001	4	21	1		0,455
54	03814200	INSULATING TUBE	1			0,001	1	21	1		12,649
55	50016800	DISC 8,4	2	8,4 DIN 125-MS		0,001	4	21	1		1,5015
56	50275300	HEXSCREW M 8X35	1	M 8 x 35 DIN 933-MS		0,018	4	21	1		9,0545
57	01430900	BATT. CABLE MINUS	1	"Minus"		0,070	1	21	1		43,9985
58	01193401	ELECT.WIRE START.50	1	Starter 50		0,017	1	21	1		39,039

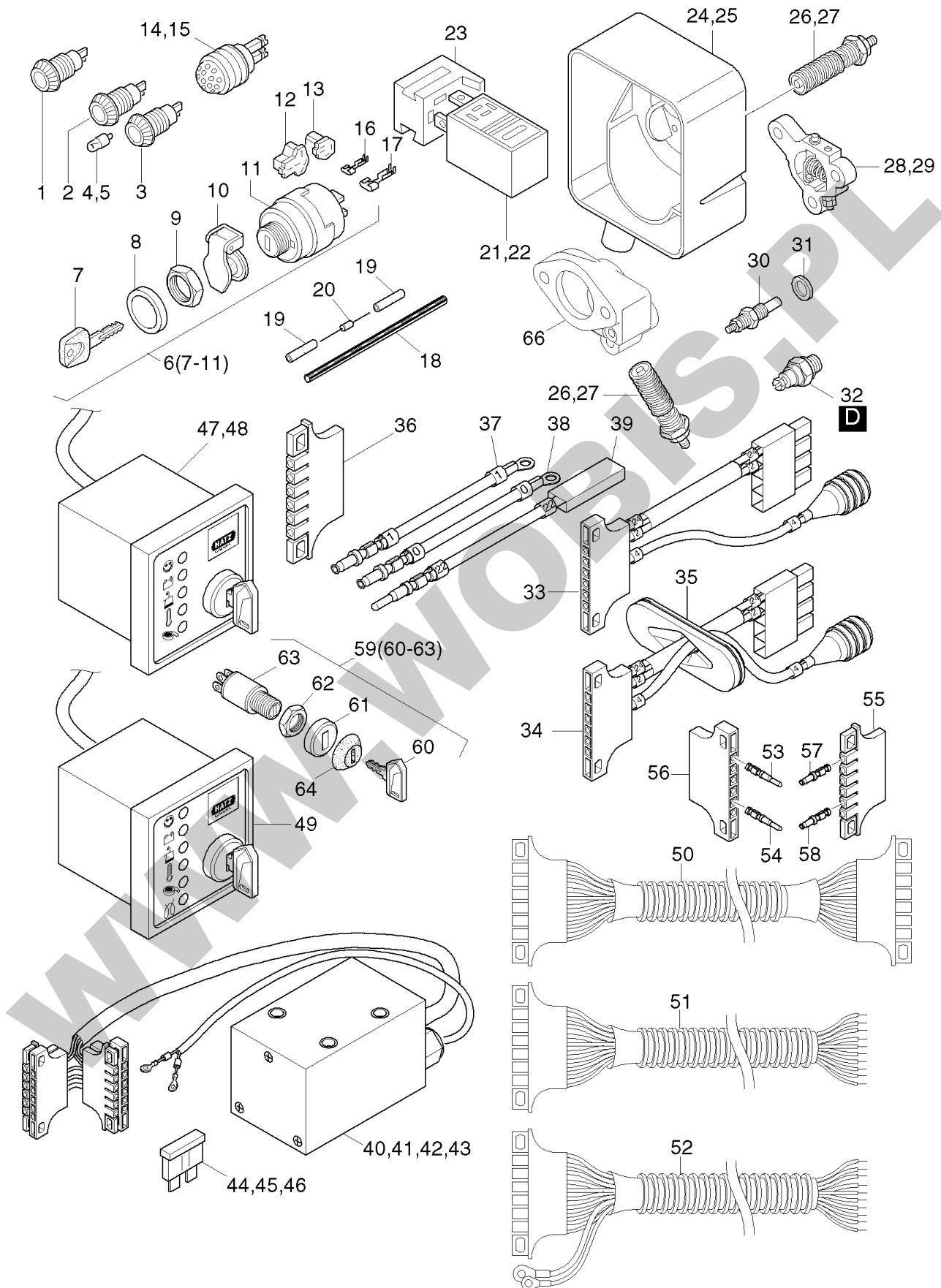


**ORYGINALNE CZĘŚCI ZAMIENNE SERWIS GWARANCYJNY I POGWARANCYJNY WYMIARY
SERWISOWE ORAZ KATALOGI CZĘŚCI ZAMIENNYCH NA STRONIE WWW.WOBIS.PL/SERWIS**

Pos.	Part no.	Description	Qty.	Notice	Add. notice	kg	EA	TA	DA	dDPW	List price
1	01407000	INSTRUMENT BOX 12V	1	12 V		1,740	1	21	5		1750,3395
1	01457700	INSTRUMENT BOX 24V	1	24 V		1,711	1	21	0		1892,6635
2	40028200	HEX.NUT M 5	1	M 5 DIN 980-8 C3A		0,002	4	11	1		2,6845
3	00716311	INSTRUMENT BOX	1			0,760	1	21	2		210,0735
4	50289200	HEXSCREW M 6X 12	4	M 6 x 12 KZ 1-8.8 A3D		0,005	4	11	1		1,8655
5	50160800	CLOSING PLUG 10MM	2	F 5 14x10,7x7,5 SCHW.		0,001	4	11	1		2,3205
6	50159011	MALE CABLE COUPLING	1	NH 13,5		0,010	4	21	2		26,2535
7	50049300	FILL.HEAD SCR.M5X10	3	M 5 x 10 DIN 7985-8.8 A3R		0,003	4	11	1		2,2295
8	50159100	HEXAGON NUT CE 13 M	1	CE 13 M		0,001	4	11	1		5,7785
9	50160700	CONNECTING BLOCK	1			0,150	4	21	2		78,169
10	50158800	ALL.SCR. M 4X 20	2	M 4 x 20 DIN 84 - 4.8 A3C		0,003	4	21	2		1,4105
11	03666700	BRACKET	2			0,015	1	21	2		12,3305
12	50147100	HEXAGON NUT M 4	2	M4 DIN 934 - 8 A3C		0,001	4	11	1		0,455
13	05004300	MARK	1			0,001	1	21	2		5,369
14	50276502	GLOW START.SWITCH	1			0,191	4	21	2		287,105
15	50345300	SWITCH BOX KEY	1	14603		0,004	4	12	1		28,847
16	_noorder	No single order	-								
17	_noorder	No single order	-								
18	_noorder	No single order	-								
19	_noorder	No single order	-								
20	50176500	INDICATOR LAMP BAT	1	BATT.		0,012	4	21	2		25,0705
21	50176600	INDICATOR LAMP OIL	1	OIL		0,012	4	21	2		25,0705
22	50176400	INDICATOR LAMP TEMP	1	TEMP.		0,012	4	21	2		25,0705
24	40096000	CLOSING PLUG	0... 3	F17 SCHW.		0,002	4	11	1		2,3205
25	03509211	FRONT PART	1			0,320	1	21	2		93,457
26	40009800	BULB 24V-2W	0... 4	24 V - 2 W		0,002	4	21	4		10,6925
26	40009700	BULB 12V-2W	0... 4	12 V - 2 W		0,002	4	21	2		8,099
27	40091400	CLOSING CAP	0... 2	F24 SCHW.		0,004	4	21	2		3,6855
28	01150101	DIODE CPL.	1			0,005	1	21	2		16,835
29	49050900	COVER	1			0,016	4	23	1		42,9065

**ORYGINALNE CZĘŚCI ZAMIENNE SERWIS GWARANCYJNY I POGWARANCYJNY WYMIARY
SERWISOWE ORAZ KATALOGI CZĘŚCI ZAMIENNYCH NA STRONIE WWW.WOBIS.PL/SERWIS**

Pos.	Part no.	Description	Qty.	Notice	Add. notice	kg	EA	TA	DA	dDPW	List price
30	50276600	PLUG SLEEVE HOUSING	1	4 - P		0,006	4	21	2		10,01
31	50276700	PLUG SLEEVE HOUSING	1	6 - P		0,005	4	21	2		12,0575
32	01090201	DIODE CPL.	1			0,003	1	21	2		16,835
33	01089801	DIODE CPL.	1			0,008	1	21	4		23,3415
34	01089901	DIODE CPL.	1			0,007	1	21	4		26,2535
35	50358400	STRAP	1	200 x 4,8 mm SCHWARZ		0,001	4	11	1		0,6825
36	50276000	SOCKET	1			0,021	4	21	2		23,023
37	50275902	RELAY ENG.PROT. 24V	1	24 V HATZ MSR		0,050	4	21	4		495,586
37	50275802	RELAY ENG.PROT. 12V	1	12 V HATZ MSR		0,050	4	21	2		448,2205
39	50403600	GLOW PLUG INDICATOR	1	12 - 24 V		0,110	4	21	4		176,358
41	50272200	OIL PRESSURE SWITCH	1	12 - 24V Oil n > 2300 min-1		0,031	4	21	1		45,8185
42	50268600	TEMP.SWITCH C-HD220	1	TEMP. 12-24V		0,016	4	21	1		172,1265
43	01468200	HEATER FLANGE	1			0,070	0	21	7		
45	05035101	AIRFILTER HOUSING	1	(24 V) part was replaced by 05035110		0,000	0	21	7		
46	50403700	GLOW PLUG 12V	1	24 V Widerstand, resistor		0,082	4	21	4		160,979
47	01192702	WIRING HARNESS	1	2000		0,850	9	21	3		
47	01433602	WIRING HARNESS	1	2000		0,840	1	21	5		373,919
49	05162400	BUSH 10,4X14X4	1	10,4 x 14 x 4		0,002	1	21	2		7,5985
D	50223300	LOCTITE 221	1	50 ML		0,077	4	12	0		99,0535



**ORYGINALNE CZĘŚCI ZAMIENNE SERWIS GWARANCYJNY I POGWARANCYJNY WYMIARY
SERWISOWE ORAZ KATALOGI CZĘŚCI ZAMIENNYCH NA STRONIE WWW.WOBIS.PL/SERWIS**

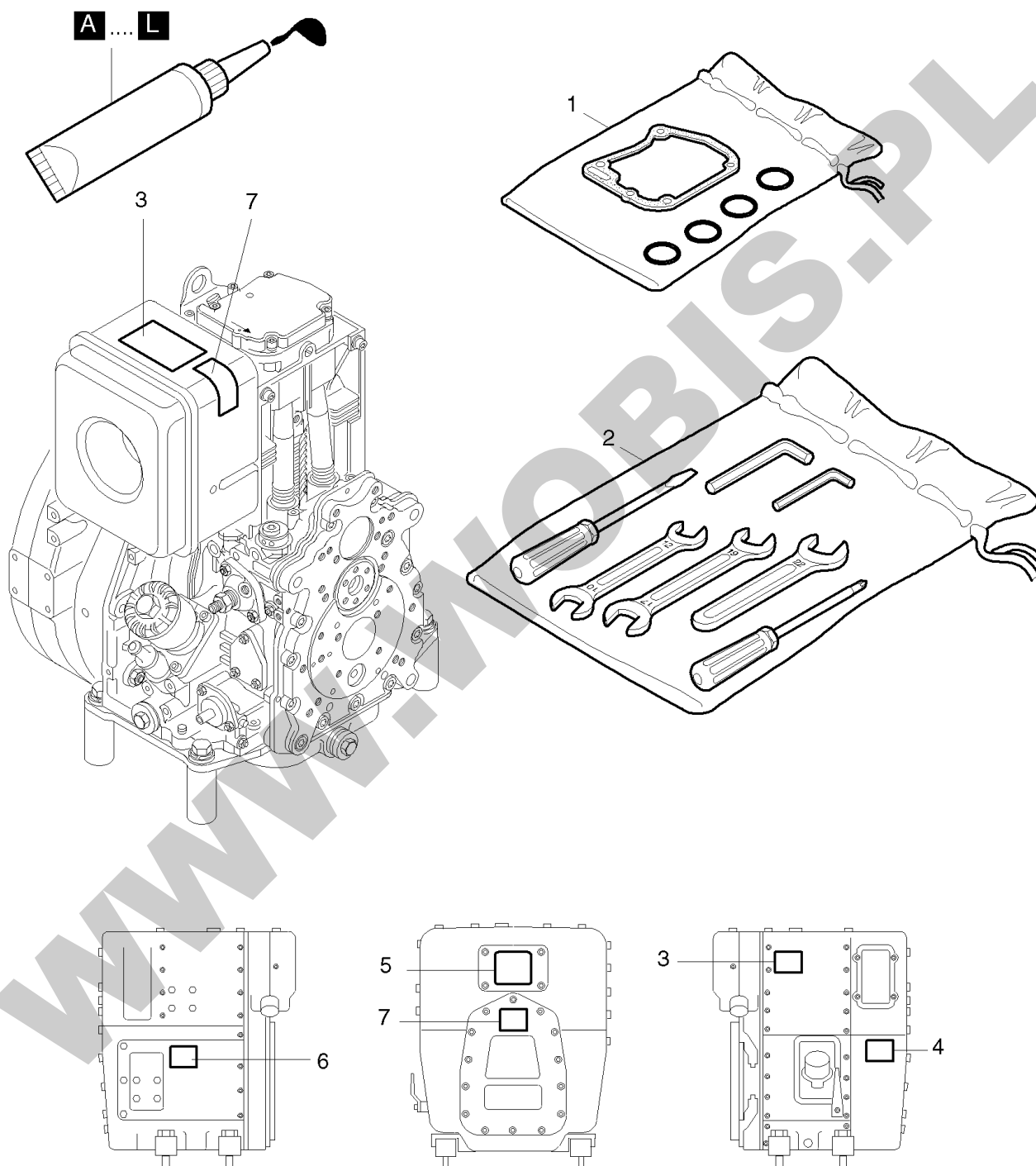
Pos.	Part no.	Description	Qty.	Notice	Add. notice	kg	EA	TA	DA	dDPW	List price
1	50176500	INDICATOR LAMP BAT	1	BATT.		0,012	4	21	2		25,0705
2	50176400	INDICATOR LAMP TEMP	1	TEMP.		0,012	4	21	2		25,0705
3	50176600	INDICATOR LAMP OIL	1	OIL		0,012	4	21	2		25,0705
4	40009700	BULB 12V-2W	0... 3	12 V - 2 W		0,002	4	21	2		8,099
5	40009800	BULB 24V-2W	0... 3	24 V - 2 W		0,002	4	21	4		10,6925
6	50276502	GLOW START.SWITCH	1			0,191	4	21	2		287,105
7	50345300	SWITCH BOX KEY	1	14603		0,004	4	12	1		28,847
8	_noorder	No single order	-								
9	_noorder	No single order	-								
10	49050900	COVER	1			0,016	4	23	1		42,9065
11	_noorder	No single order	-								
12	50276700	PLUG SLEEVE HOUSING	1	6 - P		0,005	4	21	2		12,0575
13	50276600	PLUG SLEEVE HOUSING	1	4 - P		0,006	4	21	2		10,01
14	50403600	GLOW PLUG INDICATOR	1	12 - 24 V		0,110	4	21	4		176,358
15	_nopart	Not in this engine	-								
16	40074700	PLUG SLEEVE	5	B 6,3 - 2,5 BZ		0,001	4	21	1		3,003
17	50276800	PLUG SLEEVE	4	9,5 - 6A		0,002	4	21	2		6,3245
18	03670000	INSUL.HOSE 120MM	2	4 x 120 mm		0,001	1	21	4		3,094
19	50189200	MULTIPOLE CONNECTOR	4	EHQ 453-1		0,001	4	21	2		1,5925
20	50344400	DIODE	2	DIODE		0,001	4	21	2		2,4115
21	50275802	RELAY ENG.PROT. 12V	0... 1	12 V HATZ MSR		0,050	4	21	2		448,2205
22	50275902	RELAY ENG.PROT. 24V	0... 1	24 V HATZ MSR		0,050	4	21	4		495,586
23	50276000	SOCKET	1			0,021	4	21	2		23,023
24	05035110	AIRFILTER HOUSING	0... 1	(24 V)		0,920	1	21	4		220,493
25	_nopart	Not in this engine	-								
26	50403700	GLOW PLUG 12V	0... 1	24 V Widerstand, resistor		0,082	4	21	4		160,979
27	_nopart	Not in this engine	-								
28	01468201	HEATER FLANGE	1	12 - 24 V		0,000	1	21	4		315,6335
29	_nopart	Not in this engine	-								
30	50268600	TEMP.SWITCH C-HD220	1	TEMP. 12-24V		0,016	4	21	1		172,1265

**ORYGINALNE CZĘŚCI ZAMIENNE SERWIS GWARANCYJNY I POGWARANCYJNY WYMIARY
SERWISOWE ORAZ KATALOGI CZĘŚCI ZAMIENNYCH NA STRONIE WWW.WOBIS.PL/SERWIS**

Pos.	Part no.	Description	Qty.	Notice	Add. notice	kg	EA	TA	DA	dDPW	List price
31	05162400	BUSH 10,4X14X4	1	10,4 x 14 x 4		0,002	1	21	2		7,5985
32	50272200	OIL PRESSURE SWITCH	1	12 - 24V Oil n > 2300 min-1		0,031	4	21	1		45,8185
33	01403620	WIRING HARNESS	1			0,027	1	21	1		94,7765
34	01470100	WIRING HARNESS	1		""C""	0,041	1	21	1		105,4235
35	03993100	RUBBER SLEEVE	1		""C""	0,014	1	11	1		9,6005
36	50373700	PLUG SLEEVE HOUSING	1			0,005	4	21	1		16,835
37	01574300	ELECTRIC WIRE 350MM	1	(1)		0,025	1	21	1		23,7965
38	01574402	ELECTRIC WIRE 450MM	1	(0)		0,011	1	21	1		20,111
39	01526800	ELECTR.WIRE 360 MM	1	(22)		0,011	1	21	1		27,1635
40	01589300	POWERBOX 12V	1	12 V Powerbox II		0,671	1	21	2		1143,051
41	01595700	POWERBOX 24V	1	24 V Powerbox II		0,300	1	21	4		933,205
42	01591000	POWERBOX 12 V	1	12 V Powerbox III		0,612	1	21	4		1097,5965
43	01591100	POWERBOX 24V	1	24 V Powerbox III		0,617	1	21	4		1139,957
44	50430400	FUSE LINK 15A	0... 1	15 A		0,002	4	31	0		3,8675
44	50459300	FUSE LINK 10A	0... 1	10 A		0,002	4	21	4		10,829
45	50430700	FUSE LINK 30A	0... 1	30 A		0,002	4	31	0		3,8675
46	50433000	FUSE LINK 40A	1... 2	40 A part run out no successor		0,001	4	31	0		3,913
47	01551802	INSTRUMENT BOX 12V	1	12 V, A 1		0,989	1	21	2		938,2555
48	01569702	INSTRUMENT BOX 24V	1	24 V, A 1		0,998	1	21	4		1287,0585
49	01558901	INST.BOX 12/24V AUT	1	12 V / 24 V, Aut.		1,081	1	21	2		2114,7945
50	01611200	WIRING HARNESS	1	K 1 - 2 m		0,613	1	21	2		375,6935
51	01549801	WIRING HARNESS 2M	1	K 2 - 2 m		0,606	1	21	2		292,838
52	01192710	WIRING HARNESS	1	K 3 - 2 m		0,838	1	21	2		341,614
53	50374300	PIN TERM. 2,5-4,0	1	2,5 - 4,0		0,001	4	21	1		4,4135
54	50374100	PIN TERM. 0,5-1	5	0,5 - 1,0		0,001	4	21	1		4,4135
55	50373700	PLUG SLEEVE HOUSING	1			0,005	4	21	1		16,835
56	50373600	PIN TERM.HOUS.6 WAY	1			0,007	4	21	1		16,835
57	50373800	SLEEVE 0,5-1,0	5	0,5 - 1,0		0,001	4	21	1		4,4135
58	50373900	SLEEVE 1,5-2,5	1	1,5 - 2,5		0,001	4	21	1		4,4135

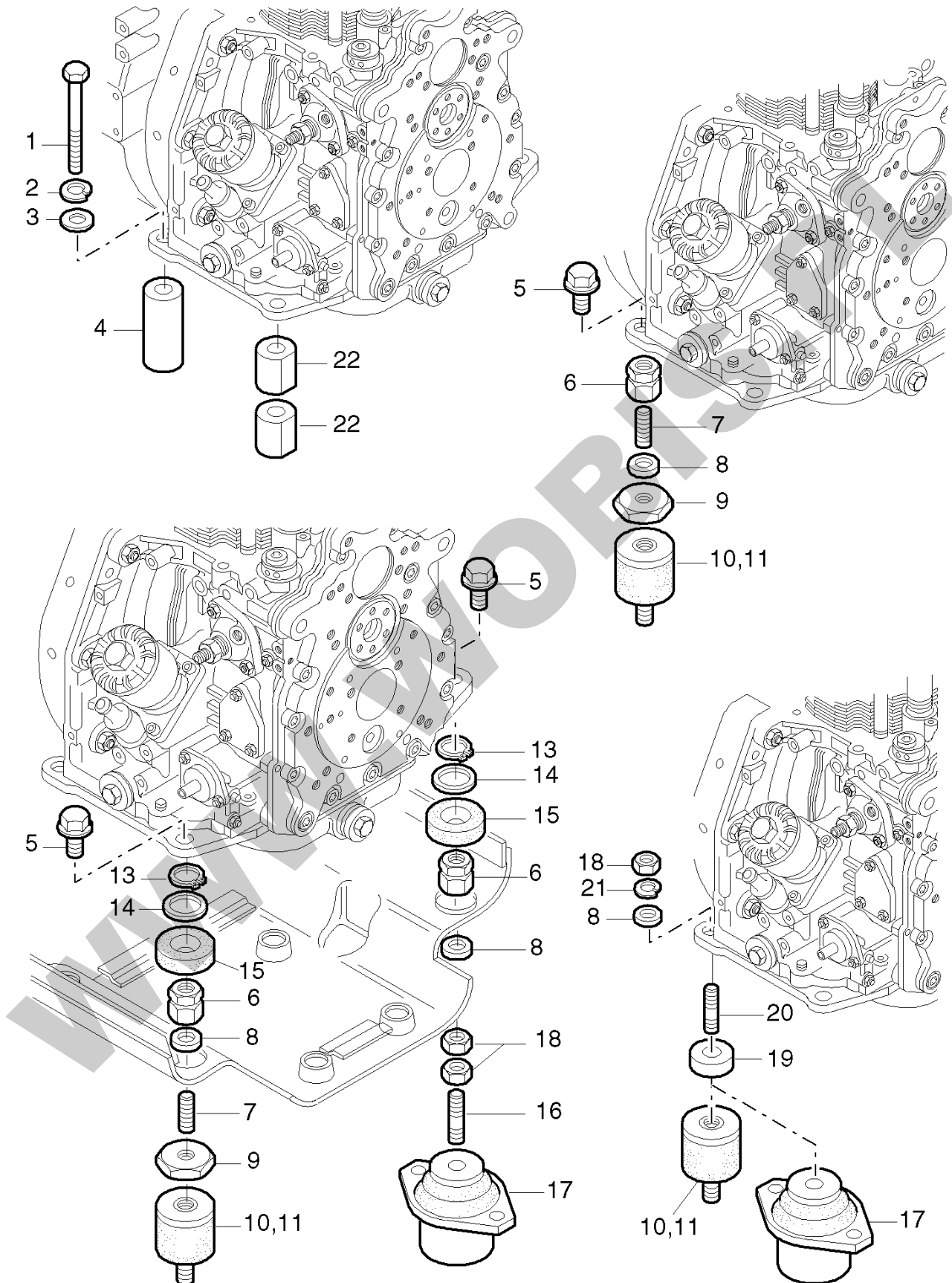
**ORYGINALNE CZĘŚCI ZAMIENNE SERWIS GWARANCYJNY I POGWARANCYJNY WYMIARY
SERWISOWE ORAZ KATALOGI CZĘŚCI ZAMIENNYCH NA STRONIE WWW.WOBIS.PL/SERWIS**

Pos.	Part no.	Description	Qty.	Notice	Add. notice	kg	EA	TA	DA	dDPW	List price
59	50384401	STARTING SWITCH	1			0,139	4	21	1		189,007
60	50404900	SWITCH BOX KEY	1	Nr. 14644		0,012	4	21	1		22,659
61	_noorder	No single order	-								
62	_noorder	No single order	-								
63	_noorder	No single order	-								
64	05126402	PROTECTION CAP	1			0,002	1	21	1		7,644
66	_nopart	Not in this engine	-								
D	50223300	LOCTITE 221	1	50 ML		0,077	4	12	0		99,0535



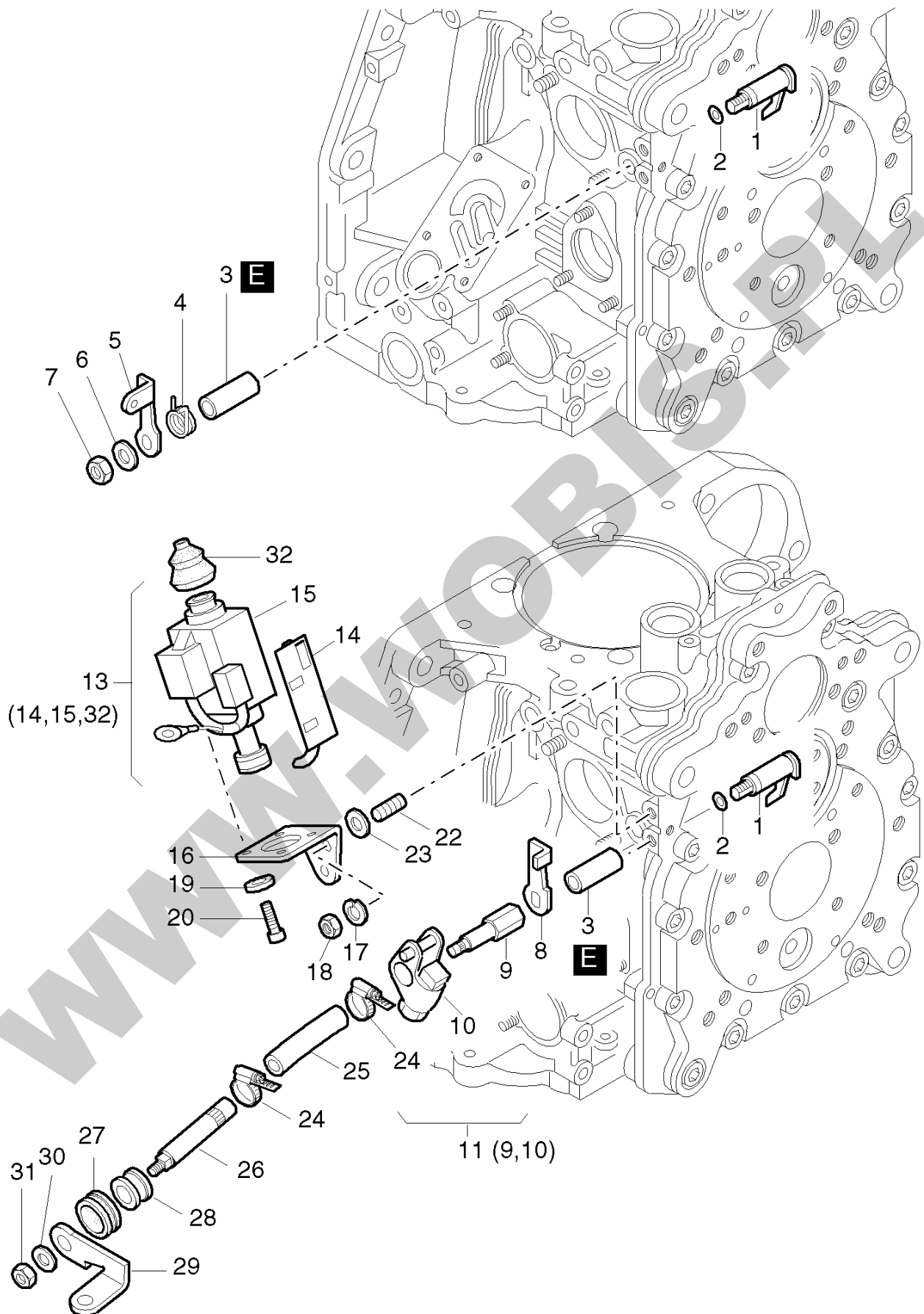
**ORYGINALNE CZĘŚCI ZAMIENNE SERWIS GWARANCYJNY I POGWARANCYJNY WYMIARY
SERWISOWE ORAZ KATALOGI CZĘŚCI ZAMIENNYCH NA STRONIE WWW.WOBIS.PL/SERWIS**

Pos.	Part no.	Description	Qty.	Notice	Add. notice	kg	EA	TA	DA	dDPW	List price
1	01247512	ACCESSORIES KIT	1	Zubehörsatz - Accessories kit		0,019	1	11	1		17,199
2	01247600	TOOL SET D30/81	1			0,550	1	11	1		73,619
3	04048301	STICKER LABEL	1			0,003	9	11	0		10,3285
4	03614401	STICKER LABEL	1		""C""	0,001	1	11	1		8,1445
5	05034700	STICKER SILENT PACK	1		""C""	0,002	1	11	1		14,6965
6	03614401	STICKER LABEL	1		""C""	0,001	1	11	1		8,1445
7	05025200	STICKER CR-START	1	Handstart, demarr. man.		0,001	1	21	1		8,1445
A	50223001	LOCTITE ACTIVATOR N	1	500 ML DIN 7649		0,580	4	12	0		270,7705
B	50223101	LOCTITE 574	1	50 ML		0,088	4	12	0		99,0535
C	50223200	LOCTITE 601	1	50 ML		0,079	4	12	0		99,0535
D	50223300	LOCTITE 221	1	50 ML		0,077	4	12	0		99,0535
E	50223400	LOCTITE 648	1	10 ML		0,021	4	12	0		38,6295
F	50223900	TECHNICOLL CLEANER	1	750 GR		0,870	4	12	0		101,2375
F	50223800	TECHNICL.ADHES.8058	1	750 GR		0,875	4	12	0		132,8145
G	50256501	LOCTITE IS 407	1	20 ML		0,033	4	12	0		52,143
H	50282501	SILICON SEALER	1	30ML 1207		0,055	4	12	1		48,23
J	50283004	HIGH TEMP.PASTE	1			0,110	4	12	0		71,617
K	50342600	GREASE START.DEVICE	1	100 GRAMM part was replaced by 50342601		0,100	0	12	0		
L	50256600	SILICON SEALER	1			0,130	4	12	0		193,4205
M	50485100	GRINDING PASTE 80ML	1			0,113	4	12	1		96,5055



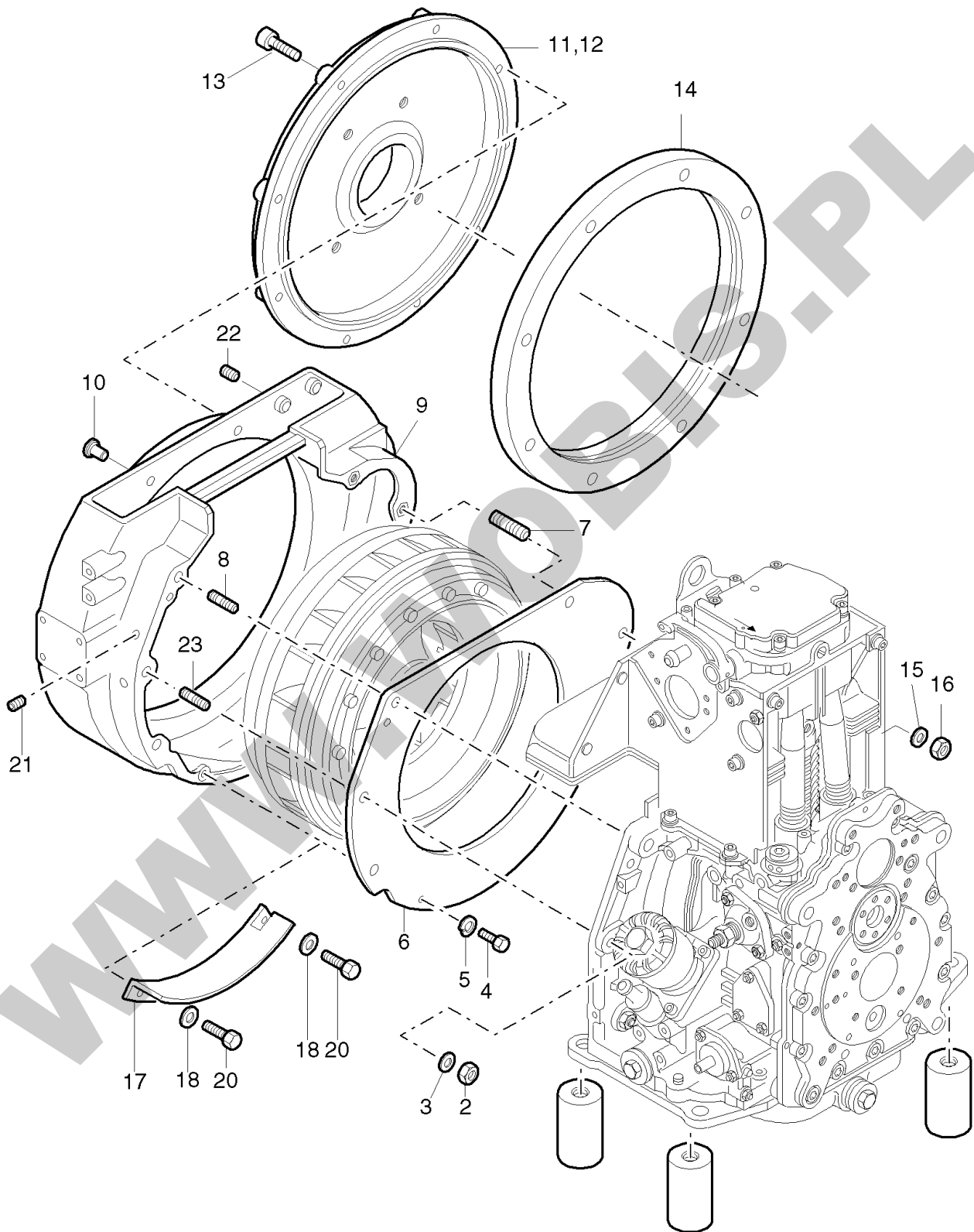
**ORYGINALNE CZĘŚCI ZAMIENNE SERWIS GWARANCYJNY I POGWARANCYJNY WYMIARY
SERWISOWE ORAZ KATALOGI CZĘŚCI ZAMIENNYCH NA STRONIE WWW.WOBIS.PL/SERWIS**

Pos.	Description	Notice
1	M10 x ... DIN 933 measure length	
2	SPRING WASHER 10	A 10 DIN 128
3	DISC 10,5	10,5 x 25 x 4 DIN 7349 A3C
4	SPACER TUBE13X36X45	13 x 36 x 45
4	SPACER TUBE	13 x 36 x 13
5	HEXSCREW M10X 20	M 10 x 20 A3C W 158.12 - 10.9
6	NUT M10 X 27,5	M 10 x 27,5
7	GRUB SCREW M10X30	M 10 x 30
8	DISC 10,5	10,5 x 25 x 4 DIN 7349 A3C
9	DISC 10,5X55X5	10,5 x 55 x 5
10	ANTI VIBR.MOUNTINGS	40 Shore
11	ANTI VIBR.MOUNTINGS	55 Shore
13	CIRCLIP 24X1,2	A 24 x 1,2 DIN 471
14	WASHER 26,1X38X1	26,1 x 38 x 1
15	GASKET	46/16
16	GRUB SCREW M10 X 58	M 10 x 58
17	HYDRO BUFFER	V 12 / 600
18	HEXAGON NUT M 10	M 10 DIN 934-8 A3C
19	SPACER TUBE	13 x 36 x 13
20	STUD M10X 40	M 10 x 40 DIN 939
21	SPRING WASHER 10	10 DIN 128 A3C
22	SPAC.DISC 13 CHAMF.	f. Höhe 13, f. height 13
22	SPAC.SLEEV.45 CHAMF	f. Höhe 45, f. height 45



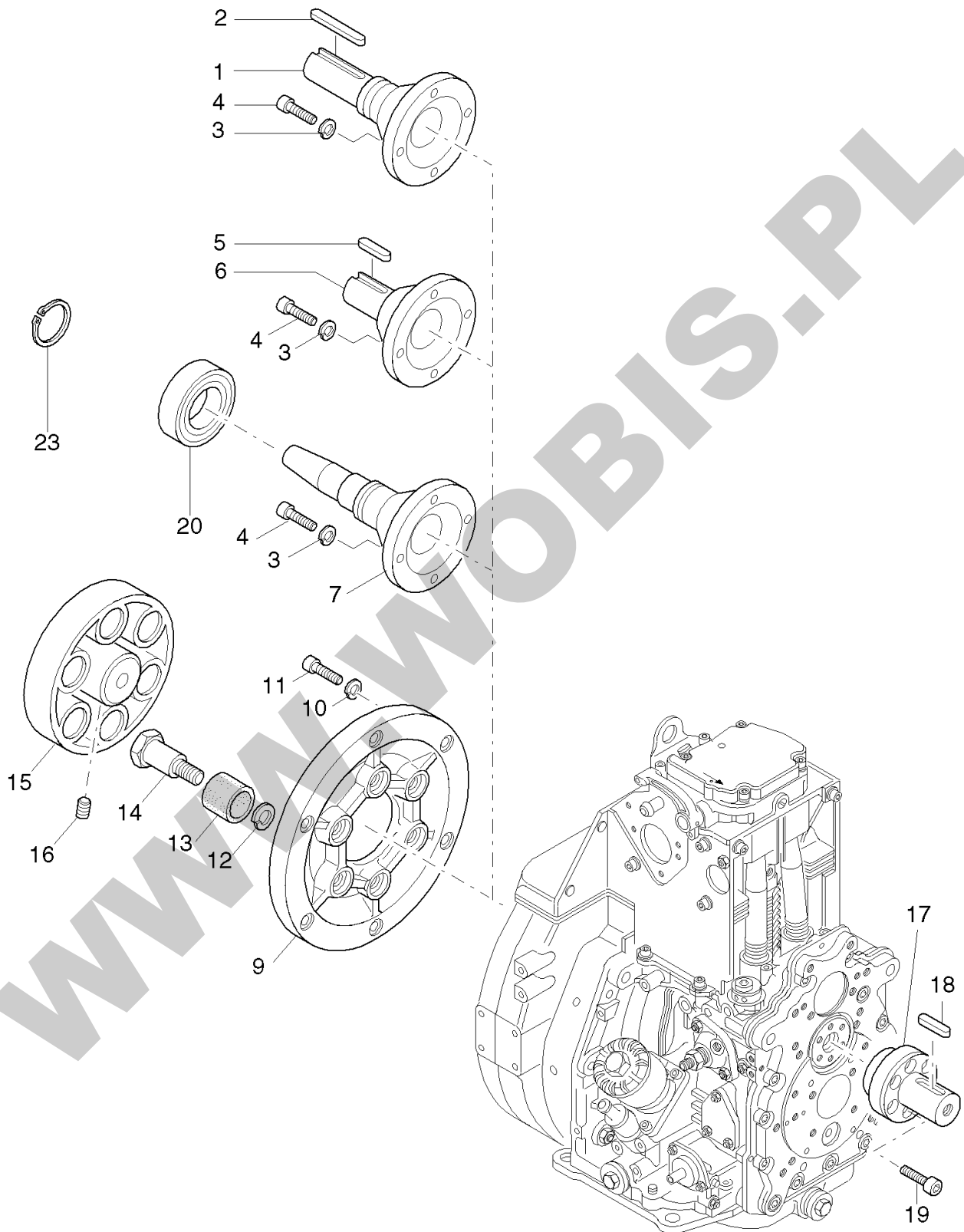
**ORYGINALNE CZĘŚCI ZAMIENNE SERWIS GWARANCYJNY I POGWARANCYJNY WYMIARY
SERWISOWE ORAZ KATALOGI CZĘŚCI ZAMIENNYCH NA STRONIE WWW.WOBIS.PL/SERWIS**

Pos.	Part no.	Description	Qty.	Notice	Add. notice	kg	EA	TA	DA	dDPW	List price
1	01254603	LEVER CPL.	1			0,020	1	21	5		
2	50343300	O-RING 4,6 X 1,85	1	4,6 x 1,85		0,001	4	21	1		1,092
3	04021400	BUSH	1			0,007	1	21	1		22,0675
4	04021800	SPRING	1			0,002	1	11	1		6,6885
5	04021700	LEVER	1			0,011	1	21	1		11,5115
6	50144500	FLAT WASHER 6,4	1	6,4 DIN 125-St A3C		0,001	4	11	1		0,455
7	50328300	HEXAGON NUT VM6	1	VM 6 DIN 980-8 A3C		0,002	4	11	1		1,4105
8	05015101	SUPPORT	1			0,005	1	21	2		19,7925
9	_noorder	No single order	-								
10	01493110	LEVER F.STOP MAGNT.	1	part was replaced by 01493111		0,015	0	21	7		
11	01515300	SHAFT+LEVER STOPMAG	1			0,035	1	22	2		53,1895
13	01515500	LIFTING MAGNET 12V	1	12 V		0,412	1	22	2		804,0305
13	01515400	LIFTING MAGNET 24V	1	24 V		0,412	1	22	2		804,0305
14	05058400	CABLE HOLDER	1			0,014	1	21	2		13,104
15	_noorder	No single order	-								
16	05023501	CONSOLE	1			0,039	1	21	2		17,5175
17	50170900	SPRING WASHER 6	2	6 DIN 128 - A3C		0,001	4	11	1		0,455
18	50144400	HEXAGON NUT M 6	2	M 6 DIN 934 - 8 A3C		0,002	4	11	1		1,2285
19	50216300	WASHER 5,3	3	5,3 DIN 125-St A3C		0,001	4	11	1		0,455
20	50112600	ALL.SCR.M 5X 10	4	M 5 x 10 DIN 6912-8.8 A3C		0,003	4	11	1		2,6845
22	50366800	STUD M 6X12	2	M 6 x 12 DIN 835-8.8 A3C		0,004	4	11	1		4,186
23	50114300	DISC 6,4	2	6,4 x 17 x 3 DIN 7349 A3C		0,005	4	11	1		2,3205
24	40037300	CLAMP 8-12	2	7,5 SKZ SGT 8-12		0,006	4	11	1		9,0545
25	03999001	FUEL HOSE 7 / 70	1	7 x 70		0,005	1	21	1		7,4165
26	03996600	SHAFT	1			0,035	1	21	1		75,985
27	03565400	RUBBER SLEEVE	1			0,003	1	11	1		5,8695
28	05069200	BUSH F.STOP SHAFT	1			0,005	1	21	1		19,838
29	04021700	LEVER	1			0,011	1	21	1		11,5115
30	50144500	FLAT WASHER 6,4	1	6,4 DIN 125-St A3C		0,001	4	11	1		0,455
31	50328300	HEXAGON NUT VM6	1	VM 6 DIN 980-8 A3C		0,002	4	11	1		1,4105



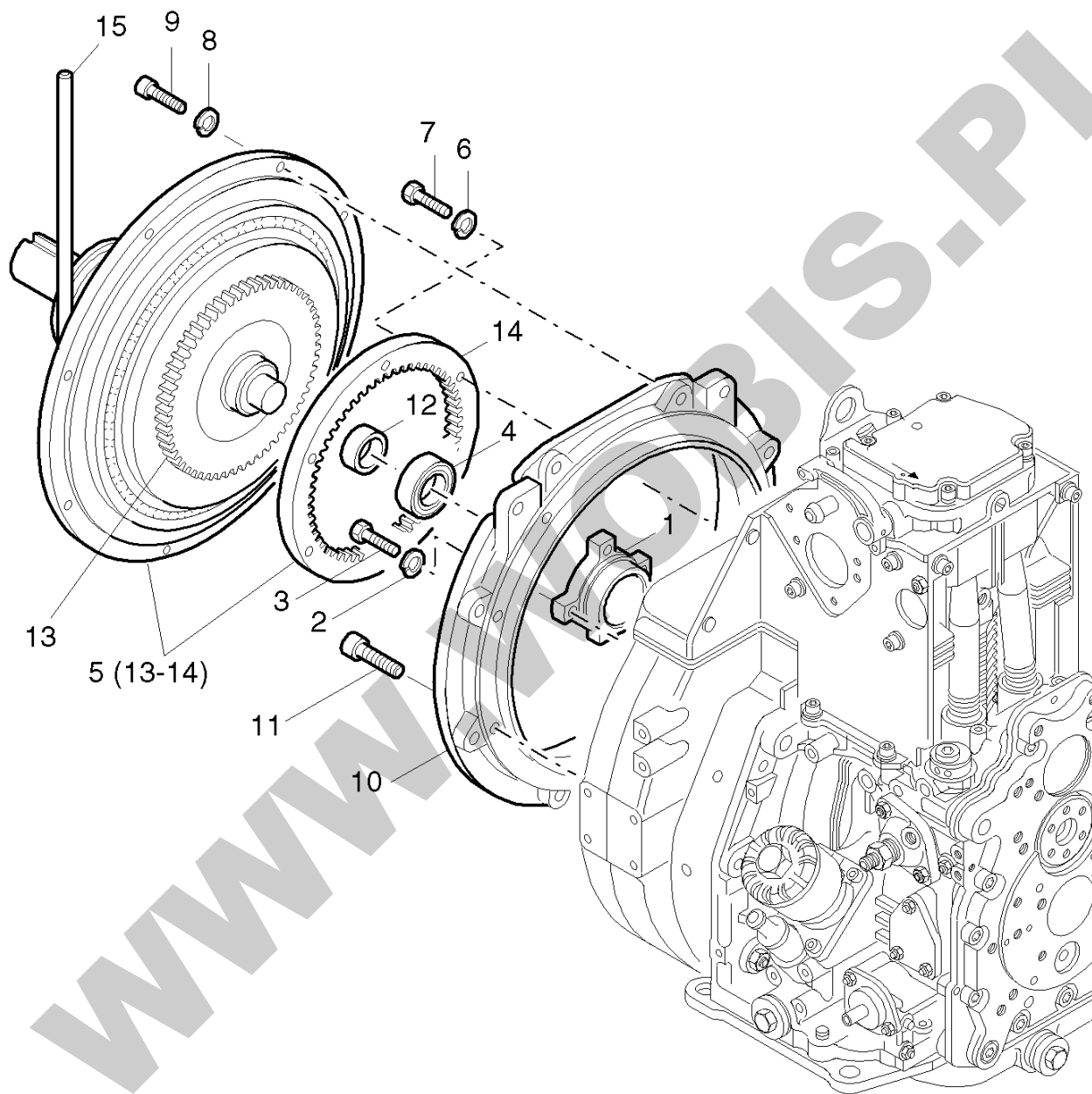
**ORYGINALNE CZĘŚCI ZAMIENNE SERWIS GWARANCYJNY I POGWARANCYJNY WYMIARY
SERWISOWE ORAZ KATALOGI CZĘŚCI ZAMIENNYCH NA STRONIE WWW.WOBIS.PL/SERWIS**

Pos.	Part no.	Description	Qty.	Notice	Add. notice	kg	EA	TA	DA	dDPW	List price
2	50145800	HEXAGON NUT M 10	4	M 10 DIN 934-8 A3C		0,011	4	11	1		2,002
3	50145900	FLAT WASHER 10,5	4	B 10,5 DIN 125-St A3C		0,004	4	11	1		1,4105
4	50177100	HEXSCREW M 6X 16	2	M 6 x 16 DIN 933-8.8 A3C		0,005	4	11	1		1,4105
5	50170900	SPRING WASHER 6	2	6 DIN 128 - A3C		0,001	4	11	1		0,455
6	04031100	PARTING SHEET	1			0,390	1	11	1		80,535
7	50475000	STUD M12FO X40	2	M 12 x 40 DIN 835-8.8 A3C		0,046	4	11	1		8,463
8	50040900	STUD M10X 35	3	M 10 x 35 DIN 835 - 8.8		0,029	4	11	1		4,186
9	04032613	INTERMED.HOUS.SAE 6	1	SAE 6 part was replaced by 01688900		0,000	0	11	7		
10	50421600	CLOSING PLUG	8	12		0,001	4	11	1		1,638
11	03976100	HOUSING SAE B	1	SAE "B" Ø 146,1		2,670	1	21	2		
12	_nopart	Not in this engine	-								
13	50055200	ALL.SCR.M10X 60	8	M 10 x 60 DIN 912 - 8.8		0,046	4	21	2		5,551
14	_nopart	Not in this engine	-								
15	50093700	FLAT WASHER A 13	2	13 DIN 125-St A3C		0,006	4	11	1		1,729
16	50093600	HEXAGON NUT M 12	2	M12 DIN 934-8 A3C		0,017	4	11	1		2,6845
17	_nopart	Not in this engine	-								
18	_nopart	Not in this engine	-								
20	_nopart	Not in this engine	-								
21	50395600	GRUB SCREW M 12X1,5	2	M 12 x 1,5 DIN 906 A3C		0,060	4	11	0		3,8675
22	50226000	GRUB SCREW M 8X6	2	M 8 x 6 DIN 913-45H TU.FLEC		0,002	4	11	1		3,9585
23	50041200	STUD M10X 45	1	M 10 x 45 DIN 835 - 8.8		0,035	4	11	1		4,732



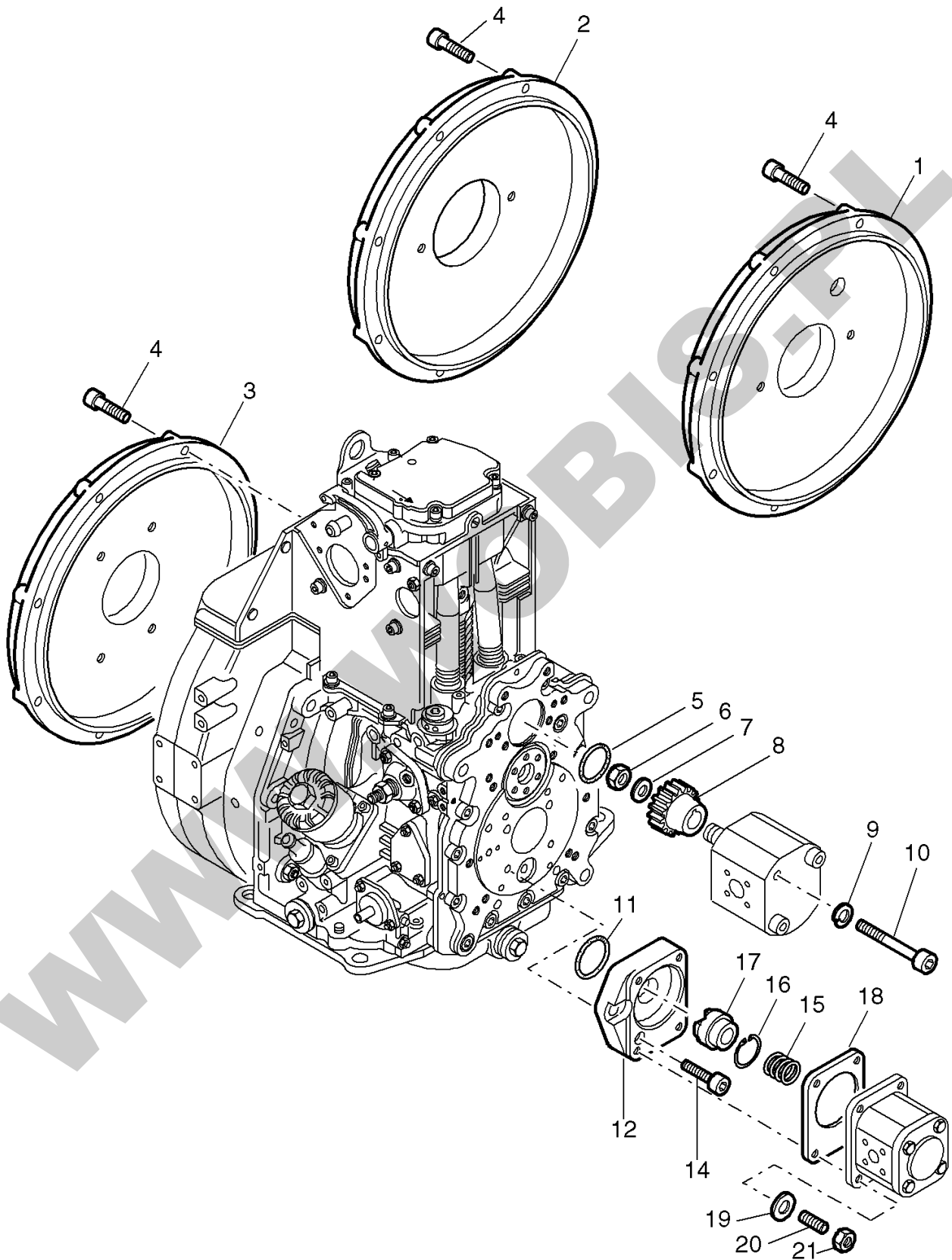
**ORYGINALNE CZĘŚCI ZAMIENNE SERWIS GWARANCYJNY I POGWARANCYJNY WYMIARY
SERWISOWE ORAZ KATALOGI CZĘŚCI ZAMIENNYCH NA STRONIE WWW.WOBIS.PL/SERWIS**

Pos.	Part no.	Description	Qty.	Notice	Add. notice	kg	EA	TA	DA	dDPW	List price
1	03952001	SHAFT 25,4X161,0	1	2 ø 1" ZENTR.100		1,525	1	21	4		641,186
2	03962700	FITTINGKEY A6,35X63	1	A 6,35 x 63 part was replaced by 05141600		0,000	0	11	7		
3	50208500	SPRING WASHER 8	4	8 DIN 128 A3C		0,001	4	11	1		1,4105
4	50171500	ALL.SCR.M 8X 25	4	M 8 x 25 DIN 912-8.8 A3C		0,015	4	11	1		2,457
5	50011500	FITTINGKEY A 8X7X35	1	A 8 x 7 x 35 DIN 6885		0,014	4	21	2		3,367
6	03954300	SHAFT 30X100	1	2 ø 30 mm ZENTR.100		2,228	1	21	2		482,664
7	03953201	STUBSHFT.TAP.X177,5	1	4 (1") keg., con. ZENTR.100		1,580	1	21	2		561,743
9	03951700	FLANGE	1			1,850	1	21	4		331,331
10	50208500	SPRING WASHER 8	6	8 DIN 128 A3C		0,001	4	11	1		1,4105
11	50366300	ALL.SCR.M 8X 20	6	M 8 x 20 DIN 912-8.8 A3C		0,013	4	11	1		2,3205
12	50061601	SPRING WASHER 12	6	VHZ 12		0,002	4	21	2		1,2285
13	03151000	RUBBER SHELL	6	SCHLAUCHST		0,015	1	21	2		13,5135
14	03046900	TAPPET	6			0,090	1	21	2		34,9895
15	03004602	COUNTER FLANGE	1			2,270	1	21	4		554,372
16	50004600	GRUB SCREW M 8X16	1	M 8 x 16 DIN 916-45H A3C		0,003	4	11	1		2,912
17	05007400	STUBSHAFT 25X65	1	25 x 65 ZENTR. 30		0,500	1	21	4		634,452
18	50011500	FITTINGKEY A 8X7X35	1	A 8 x 7 x 35 DIN 6885		0,014	4	21	2		3,367
19	50170700	ALL.SCR.M 6 X 16	6	M 6 x 16 DIN 912-8.8 A3C		0,006	4	11	1		1,729
20	50479800	BALL REARING	1	EC 6307 LLu C3/2A		0,448	4	21	2		172,2175
23	50021100	CIRCLIP 35X1,5	1	A 35 x 1,5 DIN 471		0,003	4	21	2		3,6855



**ORYGINALNE CZĘŚCI ZAMIENNE SERWIS GWARANCYJNY I POGWARANCYJNY WYMIARY
SERWISOWE ORAZ KATALOGI CZĘŚCI ZAMIENNYCH NA STRONIE WWW.WOBIS.PL/SERWIS**

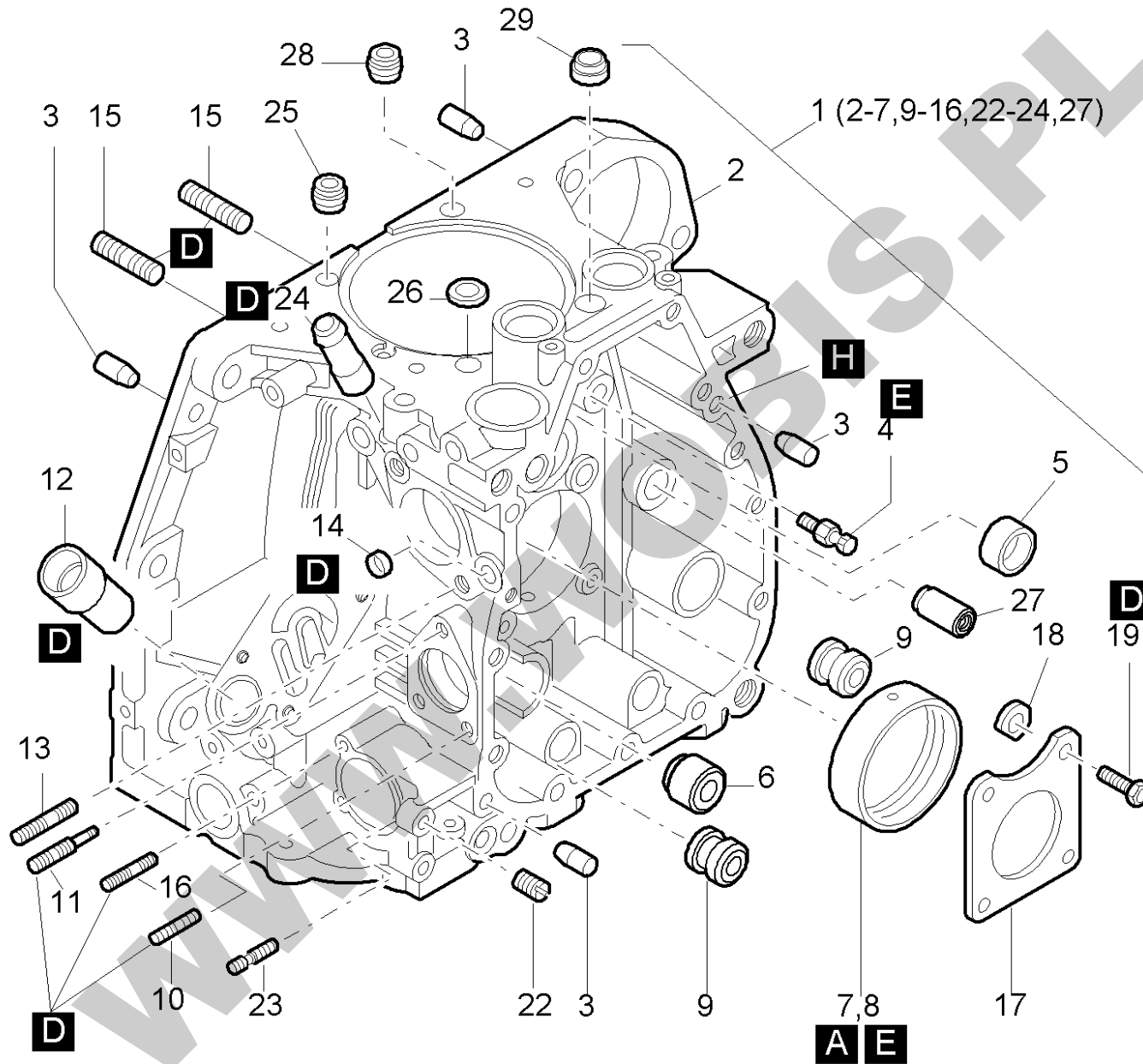
Pos.	Part no.	Description	Qty.	Notice	Add. notice	kg	EA	TA	DA	dDPW	List price
1	03961200	FLANGE	1			0,310	1	21	4		385,021
2	50002800	SPRING WASHER 8	4	8 DIN 128		0,001	4	11	1		0,455
3	50026800	HEXSCREW M 8X 20	4	M 8 x 20 DIN 933-8.8		0,012	4	11	1		2,2295
4	50014100	GROOV.BALLBEAR.6205	1	DIN 625 6205 2RS		0,128	4	21	4		60,515
5	50349300	CLUTCH BD 110/15	1	BD 110/15 -5-6,5ZOLL		20,400	4	21	4		6071,065
6	50002800	SPRING WASHER 8	6	8 DIN 128		0,001	4	11	1		0,455
7	50027000	HEXSCREW M 8X 25	6	M 8 x 25 DIN 933 - 8.8		0,014	4	11	1		2,3205
8	50135600	SPRING WASHER 10	8	10 DIN 128 A3C		0,002	4	21	1		0,455
9	50093400	ALL.SCR.M10X 30	8	M 10 x 30 DIN 912-8.8 A3C		0,028	4	21	1		3,6855
10	03981200	INTERMED.HOUS.SAE 5	1	SAE 5		1,780	1	21	4		1008,462
11	50327800	ALL.SCR.M10X 35	8	M 10 x 35 DIN 912-8.8 A3C		0,031	4	21	1		3,6855
12	05019900	SPACER BUSH	1	25 x 35 x 8 part was replaced by 05295900		0,030	1	21	4		18,7915
13	49065800	FRICTION DISC SET	1			0,365	4	23	2		564,0635
14	49070300	DRIVING RING	1			1,021	4	23	2		899,7625
15	49066000	LEVER	1			0,050	0	23	0		



**ORYGINALNE CZĘŚCI ZAMIENNE SERWIS GWARANCYJNY I POGWARANCYJNY WYMIARY
SERWISOWE ORAZ KATALOGI CZĘŚCI ZAMIENNYCH NA STRONIE WWW.WOBIS.PL/SERWIS**

Pos.	Part no.	Description	Qty.	Notice	Add. notice	kg	EA	TA	DA	dDPW	List price
1	03976301	HOUSING HP SAE A	1	SAE "A" 82,55		2,440	1	21	2		
2	03976200	HOUSING HP SAE B	1	SAE "B" 101,6		2,300	1	21	4		
3	03976700	HOUSING HP BOSCH	1	BOSCH 80		2,432	1	21	4		
4	50055200	ALL.SCR.M10X 60	8	M 10 x 60 DIN 912 - 8.8		0,046	4	21	2		5,551
5	_nopart	Not in this engine	-								
6	_nopart	Not in this engine	-								
7	_nopart	Not in this engine	-								
8	_nopart	Not in this engine	-								
9	_noorder	No single order	-								
10	_noorder	No single order	-								
11	50375300	O-RING 46X2,5	1	46 x 2,5		0,001	4	21	2		8,554
12	04036000	INTERMEDIATE FL.HP	1			0,328	1	21	2		442,3965
14	50397900	ALL.SCR.M10X22TUF	4	M 10x22 DIN 912-8.8 A3C TUF 360G		0,020	4	21	2		7,3255
15	04036200	PRESSURE SPRING	1			0,002	1	21	2		7,644
16	50019700	CIRCLIP 14X1	1	J 14 x 1 DIN 472		0,001	4	21	2		1,2285
17	04035900	SPLINED COUPLING	1	part was replaced by 01508900		0,077	0	21	2		
18	03568000	GASKET	1			0,002	1	21	1		5,9605
19	50095100	SPRING WASHER A 8	4	A 8 DIN 137 A3C		0,001	4	11	1		0,455
20	50037800	STUD M 8X 22	4	M 8 x 22 DIN 835-10.9		0,012	4	11	1		3,003
21	50148000	HEXAGON NUT M 8	4	M 8 DIN 934-8 A3C		0,005	4	11	1		1,4105

**ORYGINALNE CZĘŚCI ZAMIENNE SERWIS GWARANCYJNY I POGWARANCYJNY WYMIARY
SERWISOWE ORAZ KATALOGI CZĘŚCI ZAMIENNYCH NA STRONIE WWW.WOBIS.PL/SERWIS**

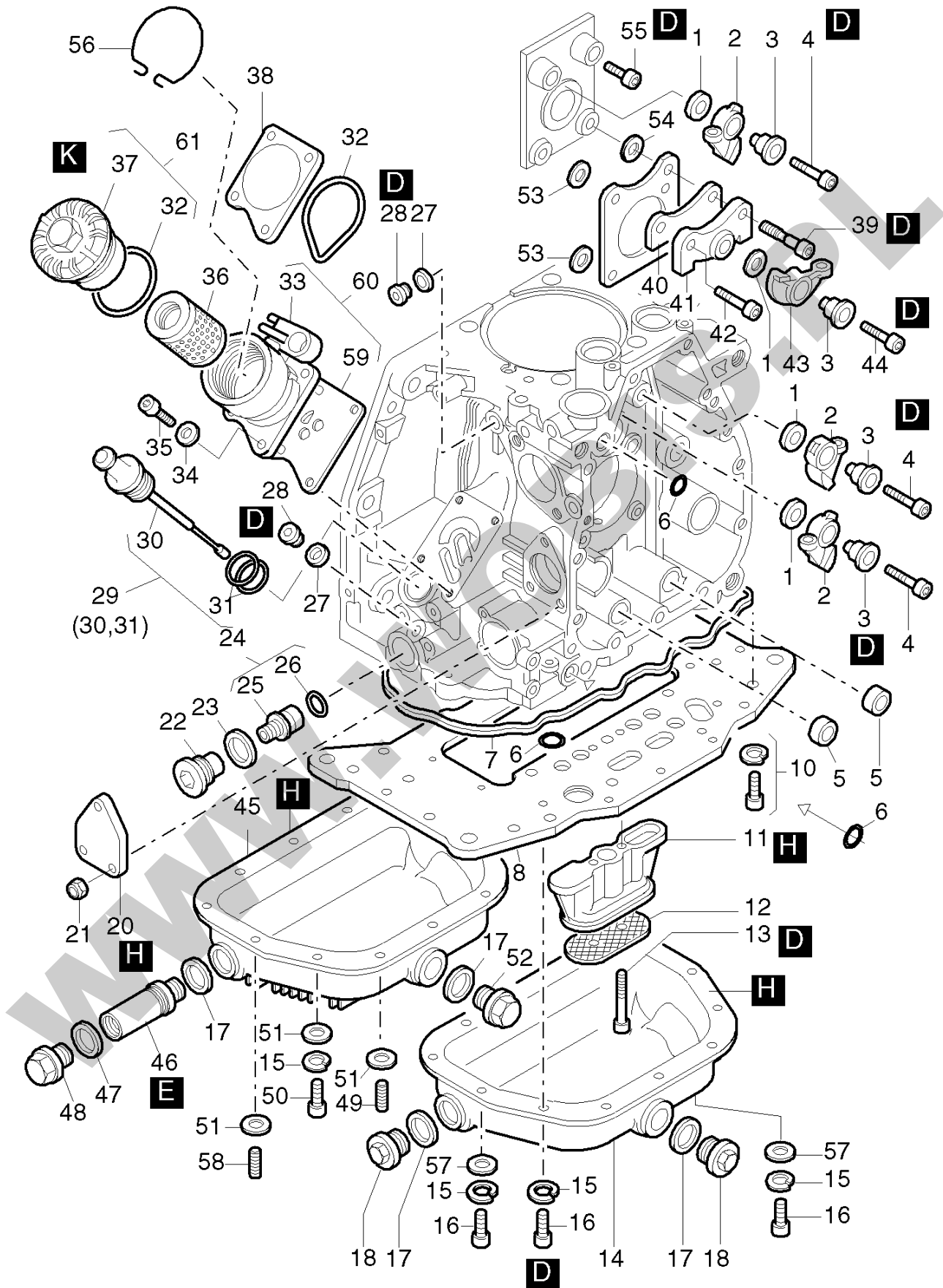


**ORYGINALNE CZĘŚCI ZAMIENNE SERWIS GWARANCYJNY I POGWARANCYJNY WYMIARY
SERWISOWE ORAZ KATALOGI CZĘŚCI ZAMIENNYCH NA STRONIE WWW.WOBIS.PL/SERWIS**

Pos.	Part no.	Description	Qty.	Notice	Add. notice	kg	EA	TA	DA	dDPW	List price
1	01270250	CRANKCASE	1			8,100	1	12	1		2783,053
2	_noorder	No single order	-								
3	50249101	CYL.PIN 8M 6 X 20	4	8 M 6 x 20 DIN 6325 2-Fasen		0,005	9	11	7		3,9585
4	04022602	NOZZLE	1			0,004	1	11	1		17,1535
5	03793800	BEARING BUSH	1			0,009	1	11	1		37,128
6	04022700	PLUG	0... 1	ø 25 mm		0,025	1	11	1		14,8785
7	04022500	MAIN BEARING	1			0,058	4	11	1		107,744
8	04048800	MAIN BEARING 0,5-	1	- 0,5 mm		0,100	4	14	1		150,1955
9	04023600	PLUG	1... 2	ø 25 mm		0,020	1	11	1		14,8785
10	50144300	STUD M 6X 16	2	M 6 x 16 DIN 835 - 8.8 A3C		0,005	4	11	1		3,9585
11	03794510	STUD	1			0,007	1	11	1		14,1505
12	03794800	INTERMEDIATE PIECE	1			0,050	1	11	1		26,7085
13	50098300	STUD M8X20	2	M 8 x 20 DIN 835-8.8 A3C		0,009	4	11	1		5,3235
14	50325500	COVER 10	1	10 DIN 443-St A3C		0,001	4	11	1		1,4105
15	50037600	STUD M 8X 20	8	M 8 x 20 DIN 835 - 10.9		0,012	4	11	0		3,003
16	50328200	STUD M6X22	2	M 6 x 22 DIN 835 - 8.8 A3C		0,006	4	11	1		4,8685
17	04011651	THRUST PLATE	1	BEF. SCHR. M 9		0,140	1	11	1		95,2315
18	04069500	SHIM 1,05	0... 4	1,05 mm		0,001	1	11	1		3,185
18	04069600	SHIM 1,2	0... 4	1,20 mm		0,002	1	11	1		3,185
19	04062010	HEXSCREW M9 X 28	4	M 9 x28		0,017	1	11	1		9,191
22	_noorder	No single order	-								
23	04087400	STUD M 6 X 22	1	M 6 x 22 A3C part was replaced by 50328200		0,005	0	11	7		
24	_noorder	No single order	-								
25	50458400	GASKET	2			0,002	4	11	1	d2	6,8705
26	50392000	JOINT 9,3X 14	2	9,3 x 14		0,001	4	11	1	d2	7,098
27	04105000	PLUG 15MM	1	ø 15 mm		0,010	1	11	1		10,7835
28	_nopart	Not in this engine	-								
29	_nopart	Not in this engine	-								
A	50223001	LOCTITE ACTIVATOR N	1	500 ML DIN 7649		0,580	4	12	0		270,7705

**ORYGINALNE CZĘŚCI ZAMIENNE SERWIS GWARANCYJNY I POGWARANCYJNY WYMIARY
SERWISOWE ORAZ KATALOGI CZĘŚCI ZAMIENNYCH NA STRONIE WWW.WOBIS.PL/SERWIS**

Pos.	Part no.	Description	Qty.	Notice	Add. notice	kg	EA	TA	DA	dDPW	List price
D	50223300	LOCTITE 221	1	50 ML		0,077	4	12	0		99,0535
E	50223400	LOCTITE 648	1	10 ML		0,021	4	12	0		38,6295
H	50282501	SILICON SEALER	1	30ML 1207		0,055	4	12	1		48,23

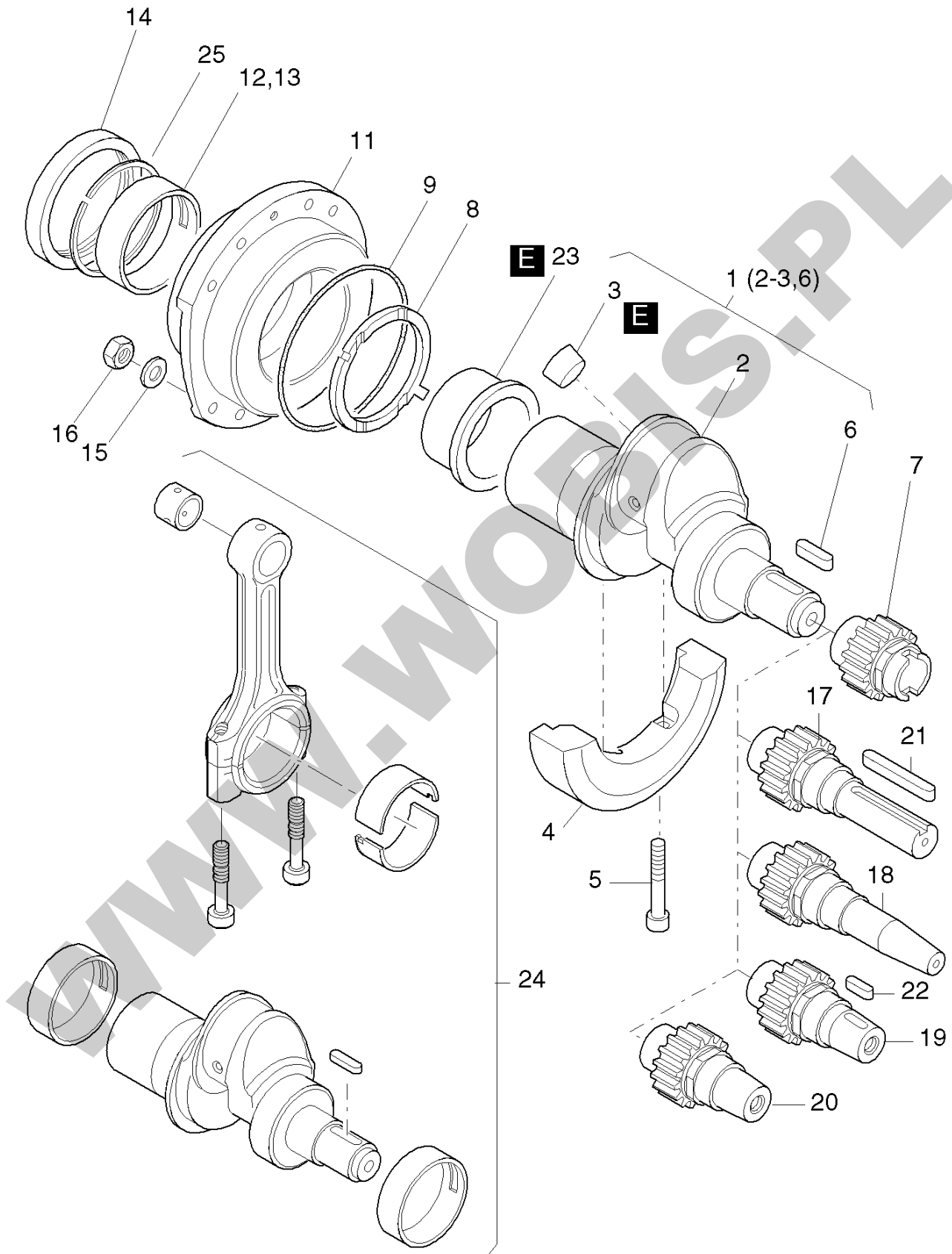


**ORYGINALNE CZĘŚCI ZAMIENNE SERWIS GWARANCYJNY I POGWARANCYJNY WYMIARY
SERWISOWE ORAZ KATALOGI CZĘŚCI ZAMIENNYCH NA STRONIE WWW.WOBIS.PL/SERWIS**

Pos.	Part no.	Description	Qty.	Notice	Add. notice	kg	EA	TA	DA	dDPW	List price
1	03794100	WASHER	2	10,1 x 22 x 3		0,006	1	11	1		10,4195
2	03794300	CAM FOLLOWER	2			0,040	1	11	1		166,621
3	03794201	CAM FOLLOW SPINDLE	2			0,018	1	11	1		40,3585
4	50051000	ALL.SCR.M 6X 30	2	M 6 x 30 DIN 912-8.8		0,009	4	11	1		1,729
5	03795800	O-RING 12X18,3X7,3	2	12 x 18,3 x 7,3		0,002	1	11	1	D2	12,8765
6	50329000	O-RING 9,5X2,5	3	9,5 x 2,5		0,001	4	11	1	D3	2,912
7	03795100	O-RING265X269,4X3,6	1	265 x 269,4 x 3,6		0,013	1	11	1	D1	82,7645
8	01270300	PLATE	1			2,430	1	12	1		428,974
10	50417600	ALL.SCR. M 8X25 Z4	22	M 8 x 25 Z4 DIN 912-8.8 A3C		0,015	4	11	1		3,0485
11	04023300	HOUSING	1			0,110	1	11	1		46,1825
12	03795000	SUCTION SIEVE	1			0,010	1	11	1		14,6965
13	50051100	ALL.SCR.M 6X 30	2	M 6 x 30 DIN 6912-8.8		0,007	4	11	1		2,6845
14	01255410	OIL SUMP	1			0,612	1	11	1		183,7745
15	50170900	SPRING WASHER 6	12	6 DIN 128 - A3C		0,001	4	11	1		0,455
16	50329100	ALL.SCR.M 6X10	12	M 6x10 DIN 912-8.8 Inbus Plus		0,005	4	11	1		2,5935
17	50001600	JOINT A22 X27	2	A 22 x 27 DIN 7603 Cu		0,002	4	11	1	D2,W4	2,2295
18	50373100	DRAIN PLG.MAGNT.M22	0... 2	AM22x1,5DIN7604A3C MAGN.		0,038	4	11	1	W1	29,575
18	50140400	DRAIN PLUG M 22X1,5	0... 2	AM22x1,5DIN7604-5.8A3C		0,037	4	11	1		7,462
20	03794700	COVER	1			0,118	9	11	0		10,8745
21	50328300	HEXAGON NUT VM6	3	VM 6 DIN 980-8 A3C		0,002	4	11	1		1,4105
22	01321200	CLOS.SCREW + SIEVE	1	M 24 x 1,5		0,052	1	11	1		39,039
23	50286400	JOINT A24X29	1	A 24 x 29 DIN 7603-Cu		0,003	4	11	1	D1	4,5955
24	01321100	OIL RELIEF VALVE	1			0,028	1	11	1		80,8535
25	_noorder	No single order	-								
26	50460400	O-RING 18 X 2	1	18 x 2		0,001	4	11	1	D1	2,912
27	50062400	JOINT A10 X13,5	2	A 10 x 13,5 DIN 7603-Cu		0,001	4	11	1	D2	0,364
28	50062300	CLOS.SCREW M10X1	2	M 10 x 1 DIN 908-5.8 A3C		0,005	4	11	1		4,3225
29	01255200	DIPSTICK	1			0,030	1	11	1		37,128
30	_noorder	No single order	-								
31	50359700	O-RING 20,29X2,62	2	20,29 x 2,62		0,001	4	11	1	D2	6,643

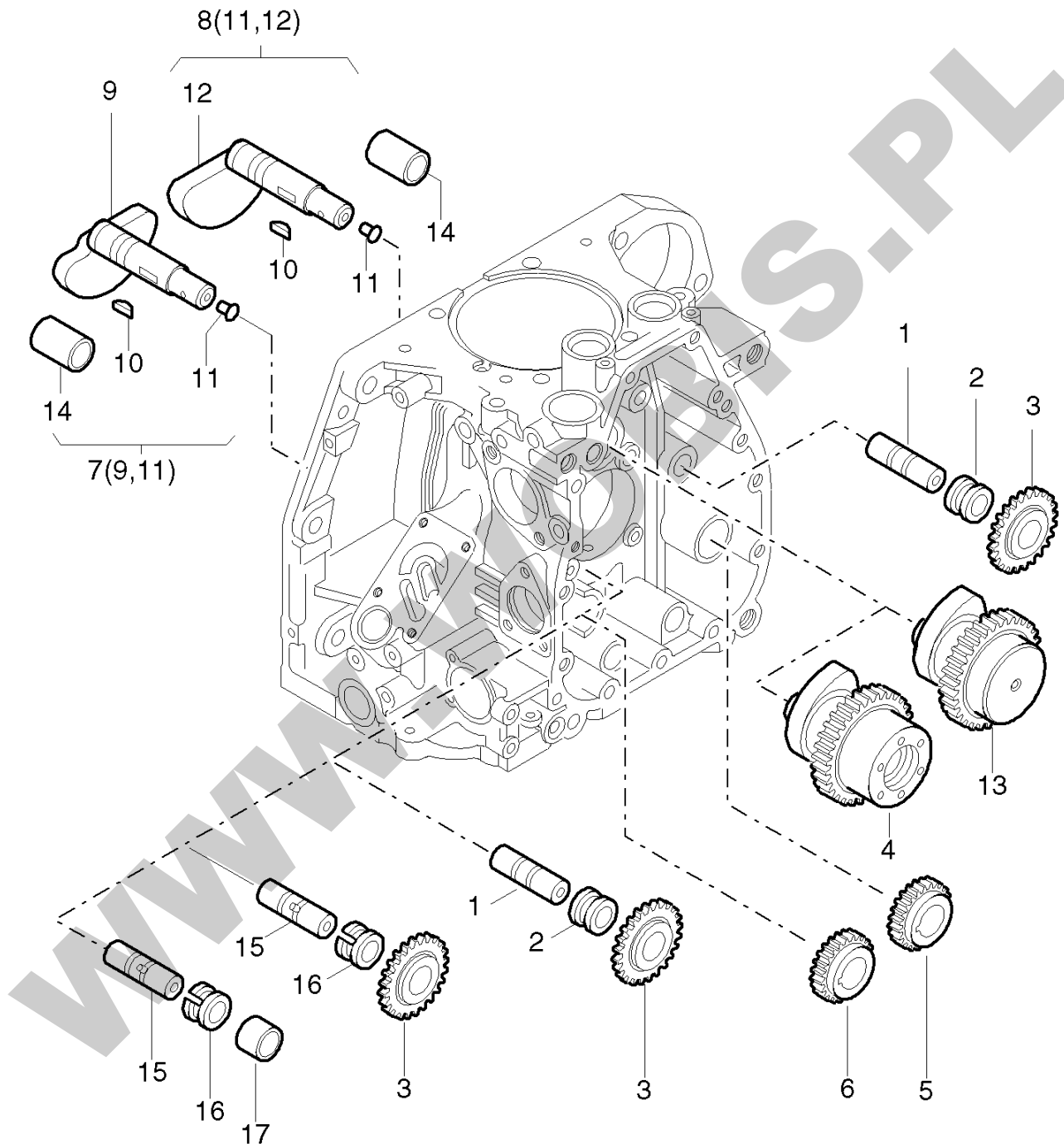
**ORYGINALNE CZĘŚCI ZAMIENNE SERWIS GWARANCYJNY I POGWARANCYJNY WYMIARY
SERWISOWE ORAZ KATALOGI CZĘŚCI ZAMIENNYCH NA STRONIE WWW.WOBIS.PL/SERWIS**

Pos.	Part no.	Description	Qty.	Notice	Add. notice	kg	EA	TA	DA	dDPW	List price
32	50329200	RECTANG.RNG.50X55X3	2	50 x 55 x 3		0,002	4	11	1	D2,W1	11,4205
33	_noorder	No single order	-								
34	50081200	SPRING WASHER A 6	4	A 6 DIN 137 - A3C		0,001	4	11	1		0,455
35	50170600	ALL.SCR.M 6X 20	4	M 6 x 20 DIN 912-8.8 A3C		0,007	4	11	1		1,729
36	01480000	OILFILT.ELEM.1D...	1			0,060	4	12	1	W4	27,5275
37	_noorder	No single order	-								
38	04033401	COVER	1			0,105	1	11	1		38,9025
39	04053210	SET SCREW M 9	1			0,020	9	11	0		36,4455
40	04036920	PLATE	1	part was replaced by 04036921		0,000	0	11	7		
41	04024220	CAM FOLLOWER BRACK.	1	part was replaced by 04024221		0,000	0	11	7		
42	04062110	ALL.SCR.M 9X36	1	M 9 x 36		0,015	0	11	0		
43	04024301	CAM FOLLOWER T/U	1			0,040	9	11	0		260,988
44	50457900	ALL.SCR. M 6X 25	1	M 6 x 25 DIN 912 - 10.9		0,007	4	11	1		1,4105
45	_nopart	Not in this engine	-								
46	03550500	DRAIN EXTENTION	1	116 mm		0,265	1	11	1		117,936
47	50001400	JOINT A18 X22	1	A 18 x 22 DIN 7603 - Cu		0,002	4	11	1		1,638
48	50044200	CLOS.SCREW M18X1,5	1	M 18 x 1,5 DIN 910		0,047	4	11	1		10,192
49	50434300	STUD M 8X 18	2	M 6 x 20 DIN 939-8.8 "C"		0,009	4	11	1		3,458
50	_nopart	Not in this engine	-								
51	_nopart	Not in this engine	-								
52	50140400	DRAIN PLUG M 22X1,5	1	AM22x1,5DIN7604-5.8A3C		0,037	4	11	1		7,462
53	04069500	SHIM 1,05	0... 3	1,05 mm		0,001	1	11	1		3,185
53	04069600	SHIM 1,2	0... 3	1,20 mm		0,002	1	11	1		3,185
54	04069800	SHIM 1,05	0... 1	1,05 mm		0,001	9	11	0		3,4125
54	04069900	SHIM 1,20	0... 1	1,20 mm		0,002	9	11	0		3,4125
55	04065401	ALL.SCR. M 6 X 8	1	part run out no successor		0,000	0	11	7		
56	04084000	LIFTING SPRING	1	part was replaced by 04084001		0,000	0	21	7		
57	50144500	FLAT WASHER 6,4	2	6,4 DIN 125-St A3C		0,001	4	11	1		0,455
58	50139200	STUD M 6X 16	2	M 6 x 16 DIN 939-8.8		0,002	4	11	0		1,4105
59	05068900	GASKET	1			0,006	1	21	1	D1	9,828



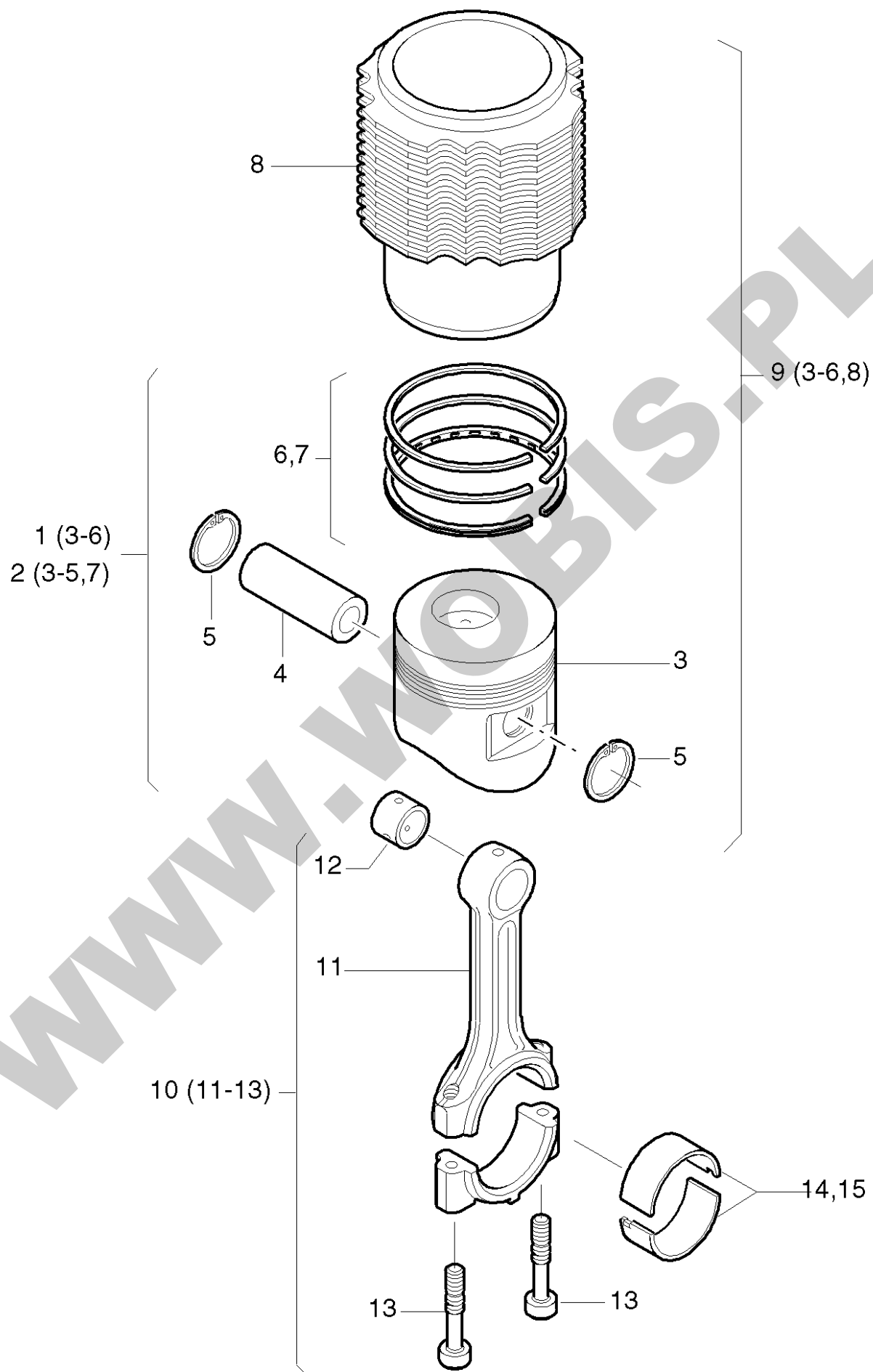
**ORYGINALNE CZĘŚCI ZAMIENNE SERWIS GWARANCYJNY I POGWARANCYJNY WYMIARY
SERWISOWE ORAZ KATALOGI CZĘŚCI ZAMIENNYCH NA STRONIE WWW.WOBIS.PL/SERWIS**

Pos.	Part no.	Description	Qty.	Notice	Add. notice	kg	EA	TA	DA	dDPW	List price
1	01269900	CRANKSHFT.1D30-1D41	1	RE.U.LINKSLAUF part was replaced by 01269910		4,450	0	11	7		
2	_noorder	No single order	-								
3	50345800	COVER 22	1	22 DIN 443		0,010	4	11	1		7,189
4	04023501	COUNTER WEIGHT	1	part was replaced by 04023502		0,590	0	11	7		
5	50127900	ALL.SCR. M 8X 40	2	M 8 x 40 DIN 912 - 10.9		0,019	4	11	0		
6	50362600	FITTINGKEY A 6X4X32	1	A 6 x 4 x 32 DIN 6885 St 60		0,006	4	11	1		2,6845
7	03796120	GEARWHEEL F. CRANKS	1			0,225	1	11	1		455,5005
8	04024600	BUFFER RING	1			0,012	1	11	1		73,528
9	50349700	O-RING 100X2,5	1	100 x 2,5		0,002	4	11	1	D1	13,468
11	04136300	BEARING FLANGE	1			2,381	1	11	1		492,401
12	04024500	MAIN BEARING	1			0,062	4	11	1		116,8895
13	04048700	MAIN BEARING 0,5-	1	- 0,5 mm		0,100	4	14	1		132,8145
14	50368101	OIL SEAL 52 X80 X10	1	52 x 80 x 10 part was replaced by 50368102		0,041	0	11	7	D1	
15	50413600	WASHER 8,4	8	8,4 300 HV DIN 125A-A3C		0,001	4	11	1		1,092
16	50364300	HEXAGON NUT M 8	8	M 8 DIN 934 - 10.9 A3C		0,005	4	11	1		1,729
17	04023110	STUBSHAFT SAE CYL.	1	SAE ...2 ø 1" zyl., cyl. part was replaced by 04023120		0,660	0	11	7		
18	01485500	STUBSHAFT SAE TAPER	1	SAE ...4 ø 1" keg.		0,700	1	11	1		606,1965
19	04022910	STUBSHAFT ITALIA	1	ITAL. ...3 ø 30 mm tap.		0,445	1	11	1		855,8095
20	05033200	STUB SHAFT ITAL. 23	1	ITAL. ...6 ø 23 mm con.		0,400	1	11	1		603,876
21	05141600	FITTINGKEY 6,35X61	1	A 6,35 x 61		0,018	1	11	1		6,279
22	50017800	WOODRUFF KEY 4X6,5	1	4 x 6,5 DIN 6888		0,003	4	11	1		1,729
23	_nopart	Not in this engine	-								
24	01511901	REP.SET CKRS. 30-41	1	part was replaced by 01511902		0,000	0	12	7		
25	50458000	CIRCLIP SB 60	1	SB 60		0,005	4	11	1		3,367
E	50223400	LOCTITE 648	1	10 ML		0,021	4	12	0		38,6295



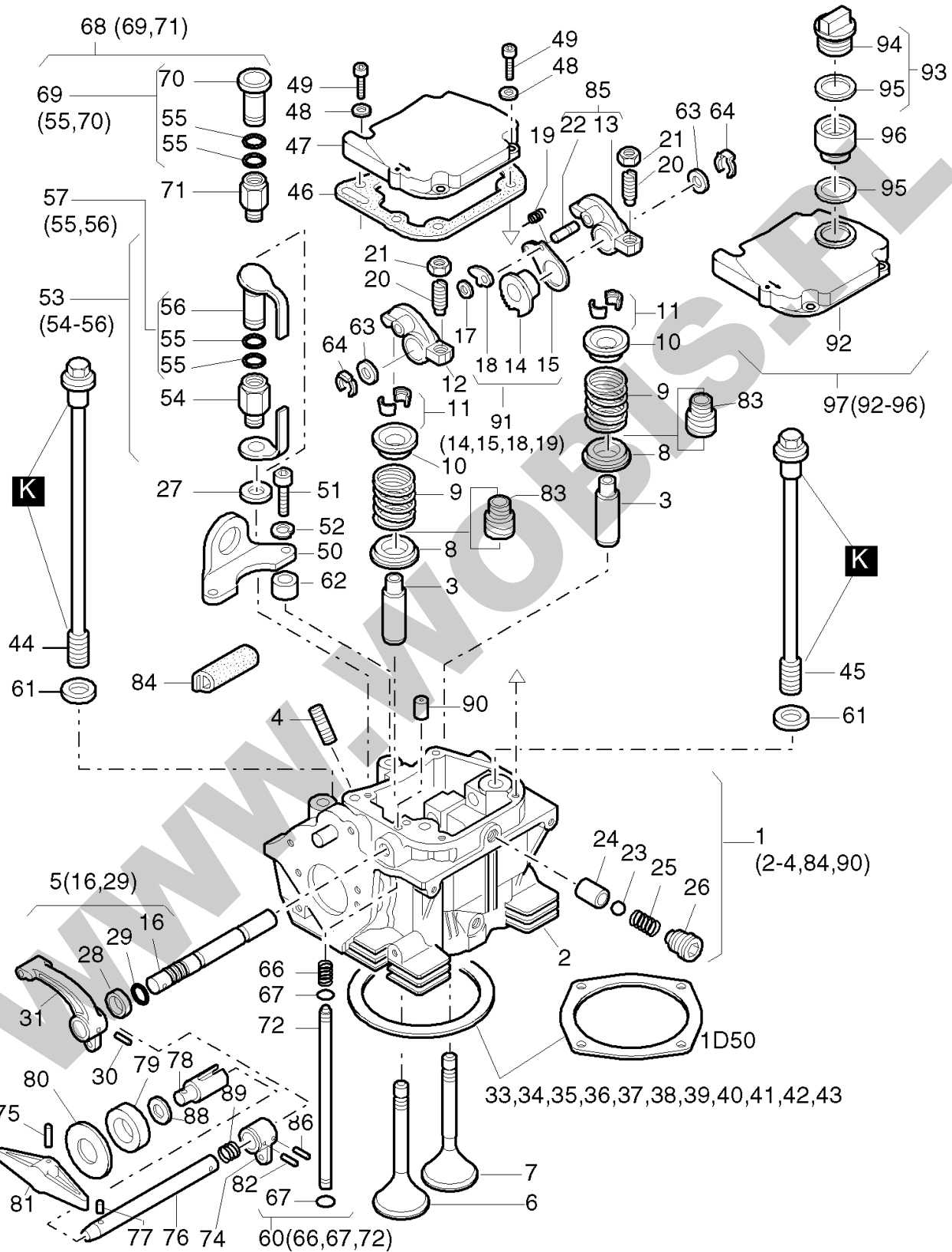
**ORYGINALNE CZĘŚCI ZAMIENNE SERWIS GWARANCYJNY I POGWARANCYJNY WYMIARY
SERWISOWE ORAZ KATALOGI CZĘŚCI ZAMIENNYCH NA STRONIE WWW.WOBIS.PL/SERWIS**

Pos.	Part no.	Description	Qty.	Notice	Add. notice	kg	EA	TA	DA	dDPW	List price
1	03796401	SHAFT	2			0,072	1	11	1		53,9175
2	03796500	BUSH	2			0,028	1	11	1		21,7945
3	01242000	GEARWHEEL	2			0,176	1	11	1		319,5465
4	04089500	CAMSHAFT L	1	IMT 00602		1,250	1	11	0		860,769
5	03796800	GEARWHEEL	1	Z, U, C		0,107	1	11	1		275,4115
6	03796900	GEARWHEEL	1	Z, U, C		0,107	1	11	1		275,6845
7	01270000	SHAFT PUMP SIDE	1			0,493	1	12	0		414,96
8	01270100	SHAFT STARTER SIDE	1			0,493	1	12	0		414,96
9	_noorder	No single order	-								
10	50324900	WOODRUFF KEY 3X3,7	2	3 x 3,7 DIN 6888 St 60 Z, U, C		0,001	4	11	1		2,3205
11	_noorder	No single order	-								
12	_noorder	No single order	-								
13	04089400	CAMSHAFT R	1			1,250	9	11	0		
14	04023900	BUSH	2			0,052	1	11	1		55,8285
15	01320700	SHAFT	1			0,080	1	11	1		50,96
16	04107600	BUSH	1			0,005	1	11	1		8,4175
17	04011900	BUSH	1	15x24x17		0,050	1	11	1		12,9675



**ORYGINALNE CZĘŚCI ZAMIENNE SERWIS GWARANCYJNY I POGWARANCYJNY WYMIARY
SERWISOWE ORAZ KATALOGI CZĘŚCI ZAMIENNYCH NA STRONIE WWW.WOBIS.PL/SERWIS**

Pos.	Part no.	Description	Qty.	Notice	Add. notice	kg	EA	TA	DA	dDPW	List price
1	01312402	PISTON 90	1	90		1,180	4	11	0		601,7375
2	01315202	PISTON 90 + 0,5	1	90 +0,5		0,900	4	14	0		563,9725
2	01315302	PISTON 90 + 1,0	1	90 +1,0		0,875	4	14	0		833,5145
3	_noorder	No single order	-								
4	50416100	GUDGEON PIN 25X68	1	25 x 13 x 68 DIN 73126-B2		0,190	4	13	1		111,5205
5	50381210	CIRCLIP 25 X 1,2	2	A 25 x 1,2		0,001	4	13	1		6,643
6	01312501	PISTON RING SET 90	1	90		0,050	4	13	1		169,26
7	01315401	PIST.RING SET90+0,5	1	+ 0,5 mm		0,100	4	14	1		369,0505
7	01315501	PIST.RING SET90+1,0	1	+ 1,0 mm		0,100	4	14	1		368,7775
8	_noorder	No single order	-								
9	01505000	CYLINDER WITH PIST.	1			3,200	1	12	0		1265,082
10	01258302	CONROD	1			0,590	1	11	1		701,5645
11	_noorder	No single order	-								
12	04065600	BUSH FOR CONROD	1			0,015	4	12	1		57,4665
13	04100500	CONROD SCREW	2			0,025	1	11	1		18,473
14	04026500	BIG END BEARING	1			0,035	4	11	1		37,0825
15	04065700	BIG END BEAR.0,5-	1	- 0,5 mm		0,040	4	14	1		74,1195



**ORYGINALNE CZĘŚCI ZAMIENNE SERWIS GWARANCYJNY I POGWARANCYJNY WYMIARY
SERWISOWE ORAZ KATALOGI CZĘŚCI ZAMIENNYCH NA STRONIE WWW.WOBIS.PL/SERWIS**

Pos.	Part no.	Description	Qty.	Notice	Add. notice	kg	EA	TA	DA	dDPW	List price
1	01505310	CYLIND.HEAD 1D31-41	1	part was replaced by 01505311		3,800	0	12	7		
2	_noorder	No single order	-								
3	04028711	VALVE GUIDE	2			0,029	4	12	0		69,433
4	50279200	STUD M 8X 40	1	M 8 x 40 DIN 835-8.8 A3C		0,019	4	11	1		3,8675
5	01290920	ROCKER SHAFT D31/41	1			0,110	1	11	1		207,7985
6	04090000	VALVE INLET	1			0,085	4	11	1		62,6535
7	04090100	VALVE EXHAUST	1			0,058	4	11	1		78,3965
8	04005201	WASHER	2			0,015	1	11	1		17,1535
9	04029300	VALVE SPRING	2			0,026	1	11	1		17,5175
10	04029201	CUP	2			0,020	1	11	1		32,669
11	03171910	COLLET	2			0,002	1	11	1		13,5135
12	04003710	ROCKER INLET	1			0,055	1	11	1		177,996
13	_noorder	No single order	-								
14	_noorder	No single order	-								
15	03778401	SPRING SHEET	1			0,002	1	11	1		2,821
16	_noorder	No single order	-								
17	50117200	CIRCLIP	1	RA 4ME DIN 6799		0,001	4	11	1		0,455
18	03365710	RATCHET F.DECOMPR.	1			0,004	1	11	1		30,303
19	03366001	SPRING	1			0,001	1	11	1		5,5965
20	03783000	ADJUSTING SCREW	2			0,008	1	11	1		18,928
21	03173100	HEXAGON NUT	2			0,004	1	11	1	W2	5,1415
22	_noorder	No single order	-								
23	50123800	BALL 7 MM G100	1	7 mm III DIN 5401		0,001	4	11	1		2,002
24	04004700	BUSH	1			0,016	1	11	1		45,864
25	04004800	PRESSURE SPRING	1			0,003	1	11	1		3,6855
26	01245200	ADJUSTING SCREW	1			0,005	1	11	1		32,214
27	50001100	JOINT A12 X15,5	1	A 12 x 15,5 DIN 7603-Cu		0,001	4	11	1	D2	0,7735
28	_nopart	Not in this engine	-								
29	40022401	O-RING 8 X 2 GRAY	1	8 x 2 FPM 75 MOLYKOT.		0,002	4	11	1	d2	1,911
30	50034700	PIN 4 X22	1	4 x 22 ISO 8752-ST		0,002	4	11	1		1,4105

**ORYGINALNE CZĘŚCI ZAMIENNE SERWIS GWARANCYJNY I POGWARANCYJNY WYMIARY
SERWISOWE ORAZ KATALOGI CZĘŚCI ZAMIENNYCH NA STRONIE WWW.WOBIS.PL/SERWIS**

Pos.	Part no.	Description	Qty.	Notice	Add. notice	kg	EA	TA	DA	dDPW	List price
31	04009810	HANDLE	1			0,015	1	11	1		9,6005
33	04071500	GASK.F.CYL.HEAD 0,3	0... 1	0,3 mm		0,008	1	11	1		13,013
34	04071600	GASK.F.CYL.HEAD 0,4	0... 1	0,4 mm		0,010	1	11	1		13,5135
35	04071700	GASK.F.CYL.HEAD 0,5	0... 1	0,5 mm		0,012	1	11	1		15,288
36	04071800	GASK.F.CYL.HEAD 0,6	0... 1	0,6 mm		0,014	1	11	1		16,198
37	04071900	GASK.F.CYL.HEAD 0,7	0... 1	0,7 mm		0,016	1	11	1	d1	17,017
38	04072000	GASK.F.CYL.HEAD 0,8	0... 1	0,8 mm		0,018	1	11	1	d1	18,928
39	04072100	GASK.F.CYL.HEAD 0,9	0... 1	0,9 mm		0,020	1	11	1		20,2475
40	04072200	GASK.F.CYL.HEAD 1,0	0... 1	1,0 mm		0,022	1	11	1		22,3405
41	04072300	GASK.F.CYL.HEAD 1,1	0... 1	1,1 mm		0,024	1	11	1		23,842
42	04072400	GASK.F.CYL.HEAD 1,2	0... 1	1,2 mm		0,026	1	11	1		25,8895
43	04072500	GASK.F.CYL.HEAD 1,3	0... 1	1,3 mm		0,028	1	11	1		26,6175
44	04028600	CYL.HEAD SCREW251MM	2	251,5 mm		0,152	1	11	1		69,888
45	04028500	CYL.HEAD SCREW174MM	2	174 mm		0,093	1	11	1		57,694
46	04006111	GASKET	1			0,003	1	11	1	d1,W3	10,01
47	01245412	COVER CYL.HEAD	1	part was replaced by 01245413		0,239	0	11	7		
48	50081200	SPRING WASHER A 6	4	A 6 DIN 137 - A3C		0,001	4	11	1		0,455
49	50170800	ALL.SCR.M 6X 25	4	M 6 x 25 DIN 912 - 8.8 A3C		0,008	4	11	1		1,8655
50	04008100	LIFTING BRACKET	1			0,071	1	11	1		41,496
51	50175900	ALL.SCR.M 8X 30	2	M 8 x 30 DIN 912-8.8 A3C		0,017	4	11	1		2,6845
52	50208500	SPRING WASHER 8	2	8 DIN 128 A3C		0,001	4	11	1		1,4105
53	01493200	OIL FIL.DEV."S"46MM	1			0,080	1	12	1		53,8265
54	_noorder	No single order	-								
55	40081700	O-RING 12 X 16X 2	2	12 x 2		0,001	4	11	1	d2	2,3205
56	_noorder	No single order	-								
57	01308300	CLOSG.PLUG "S"46MM	1	part was replaced by 01308301		0,012	0	11	7	P1	
60	01269601	OIL PRESSURE PIPE	1			0,033	1	11	1		32,032
61	03794100	WASHER	4	10,1 x 22 x 3		0,006	1	11	1		10,4195
62	04008000	BUSH 9,2X17,2X10	2	9,2 x 17,2 x 10		0,013	1	11	1		6,9615
63	03457500	DISC F.STUD	2	12,5 x 24 x 2,5		0,006	1	11	1		7,553

**ORYGINALNE CZĘŚCI ZAMIENNE SERWIS GWARANCYJNY I POGWARANCYJNY WYMIARY
SERWISOWE ORAZ KATALOGI CZĘŚCI ZAMIENNYCH NA STRONIE WWW.WOBIS.PL/SERWIS**

Pos.	Part no.	Description	Qty.	Notice	Add. notice	kg	EA	TA	DA	dDPW	List price
64	50353300	CIRCLIP KL14S	2			0,002	4	11	1		10,192
66	04004200	PRESSURE SPRING	1			0,001	1	11	1		1,7745
67	50330100	O-RING 4X 1,2	2	4 x 1,2		0,001	4	11	1	d2	1,001
68	01280600	OIL FILLER DEVICE	1			0,080	1	12	1		71,2075
69	01275610	CLOSG.PLUG "C" 46MM	1	part was replaced by 01275611		0,016	0	11	7	P1	
70	_noorder	No single order	-								
71	_noorder	No single order	-								
72	_noorder	No single order	-								
74	04047920	INTERM.PIECE DECOMP	1			0,035	1	21	4		148,239
75	50132000	ROLL PIN 4X16	1	4 x 16 ISO 8752-ST		0,002	4	11	1		1,4105
76	04083320	DECOMPRESSION SHAFT	1			0,055	1	21	4		158,34
77	50034500	PIN 4 X14	1	4 x 14 ISO 8752-ST		0,001	4	11	2		1,4105
78	04048110	INTERMEDIATE PIECE	1			0,022	1	21	4		67,2035
79	01581600	DOUBLE SEALG.RINGS	1			0,002	1	21	4		18,655
80	04048000	WASHER 10,5X50X0,8	1	10,5x50x1,0		0,002	1	21	4		4,459
81	03778200	HANDLE	1			0,010	1	21	4		11,7845
82	50132000	ROLL PIN 4X16	1	4 x 16 ISO 8752-ST		0,002	4	11	1		1,4105
83	50405700	VALVE STEM SEAL CAP	2			0,002	4	11	1	d2	8,099
84	04070400	SEALING STRIP	1	60 mm		0,010	9	11	0		9,4185
85	01285010	ROCKER EXHAUST	1			0,065	1	12	1		158,977
86	50034600	PIN 4 X18	1	4 x 18 ISO 8752-ST		0,002	4	11	2		1,4105
88	03787300	SHIM 0,2	1	10,5 x 21 x 0,2		0,001	1	11	1		4,823
89	04097200	PRES.SPRING DECOMPR	1			0,001	1	21	4		7,007
90	04104900	PIN	1	(ø 5 mm)		0,001	1	11	1		11,102
91	01557600	GEARWHEEL F.DECOMPR	1			0,040	1	12	1		147,5565
92	_noorder	No single order	-								
93	01613100	CAP SCREW	1			0,017	1	11	1		13,104
94	_noorder	No single order	-								
95	04125000	SEALING RING	2	26 x 35 x3		0,002	1	11	1		3,8675
96	03658400	INTERMEDIATE PIECE	1			0,030	1	11	4		39,039

