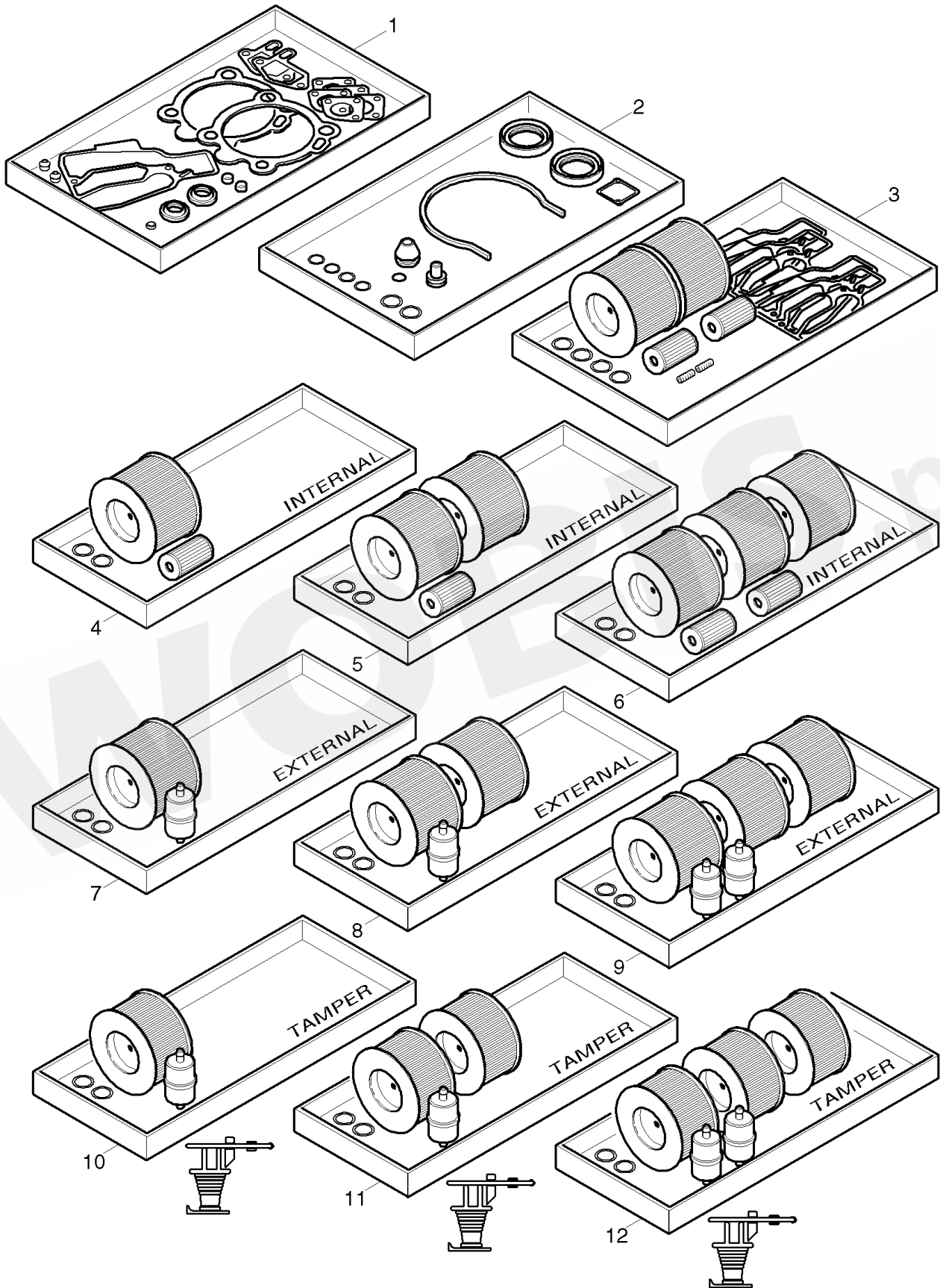


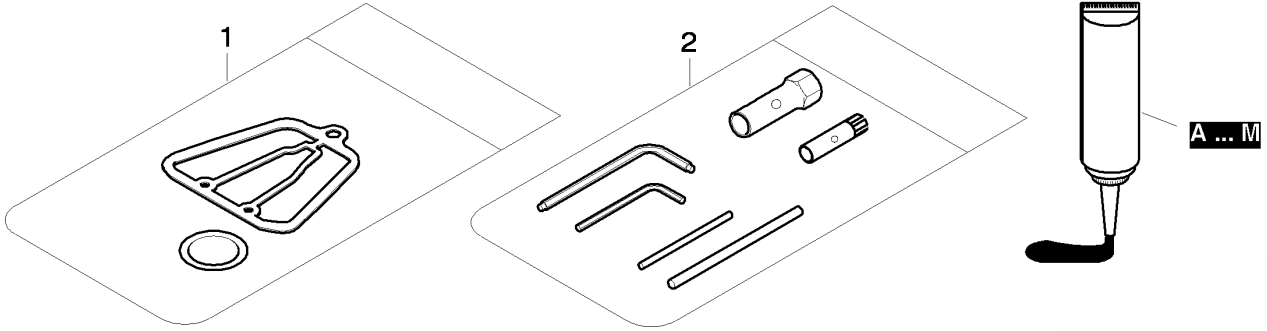
CD-ID: 004M2



M00 Spare parts kits 1 B 30.26

Pos.	Part no.	Description	Qty.	Parts return	Notice	Add. notice	kg	dDPW	List price
1	000001582211	GSK.S.CYL.HEAD 1B30	1	●			0,151		179,21
2	000001582305	GASK.SET CRKC.1B30	1	●			0,177		177,84
3	000001582420	MAINTENANC.KIT 1B30	1	●			0,300		
4	000002265400	FILTER KIT 1B20/30 (INTERNAL) LIGHT	1	●			0,118		59,72
5	000002267900	FILTER KIT 1B20/27/30 INTERN. MEDIUM	1	●			0,217		93,60
6	000002269000	FILTER KIT 1B20/27/30 INTERN. HEAVY	1	●			0,335		147,64
7	000002265500	FILTER KIT 1B20/30 (EXTERNAL) LIGHT	1	●			0,155		68,02
8	000002268000	FILTER KIT 1B20/27/30 EXTERNAL MEDIUM	1	●			0,254		101,65
9	000002269100	FILTER KIT 1B20/27/30 EXTERNAL HEAVY	1	●			0,409		163,30
10	_nopart	Not in this engine	1	●					
11	_nopart	Not in this engine	1	●					
12	_nopart	Not in this engine	1	●					

CD-ID: 004M2



HATZ DIESEL
 WARTUNG - MAINTENANCE
 ENTRETIEN - MANTENIMIENTO
 MANUTENZIONE

8-15 250
 STUNDEN - HOURS - HEURES
 HORAS - ORE

500
 BEI BEDARF
 IF NECESSARY
 EN CASO DE
 NECESSIDAD
 SE NECESSARIO

IN 0.1 mm
 0.004 *

max OIL

OIL: SAE

1B..

3

Detailed description: This is a maintenance chart for a Hatz Diesel engine. It features a central circular diagram with various icons representing different maintenance tasks such as oil changes, filter replacements, and inspections. The chart includes a scale for hours (8-15, 250, 500) and a section for oil levels with a 'max OIL' indicator. A large '1B..' is printed at the bottom right of the chart area.

COMPR. 1 START 3
 2

051 300 00

4

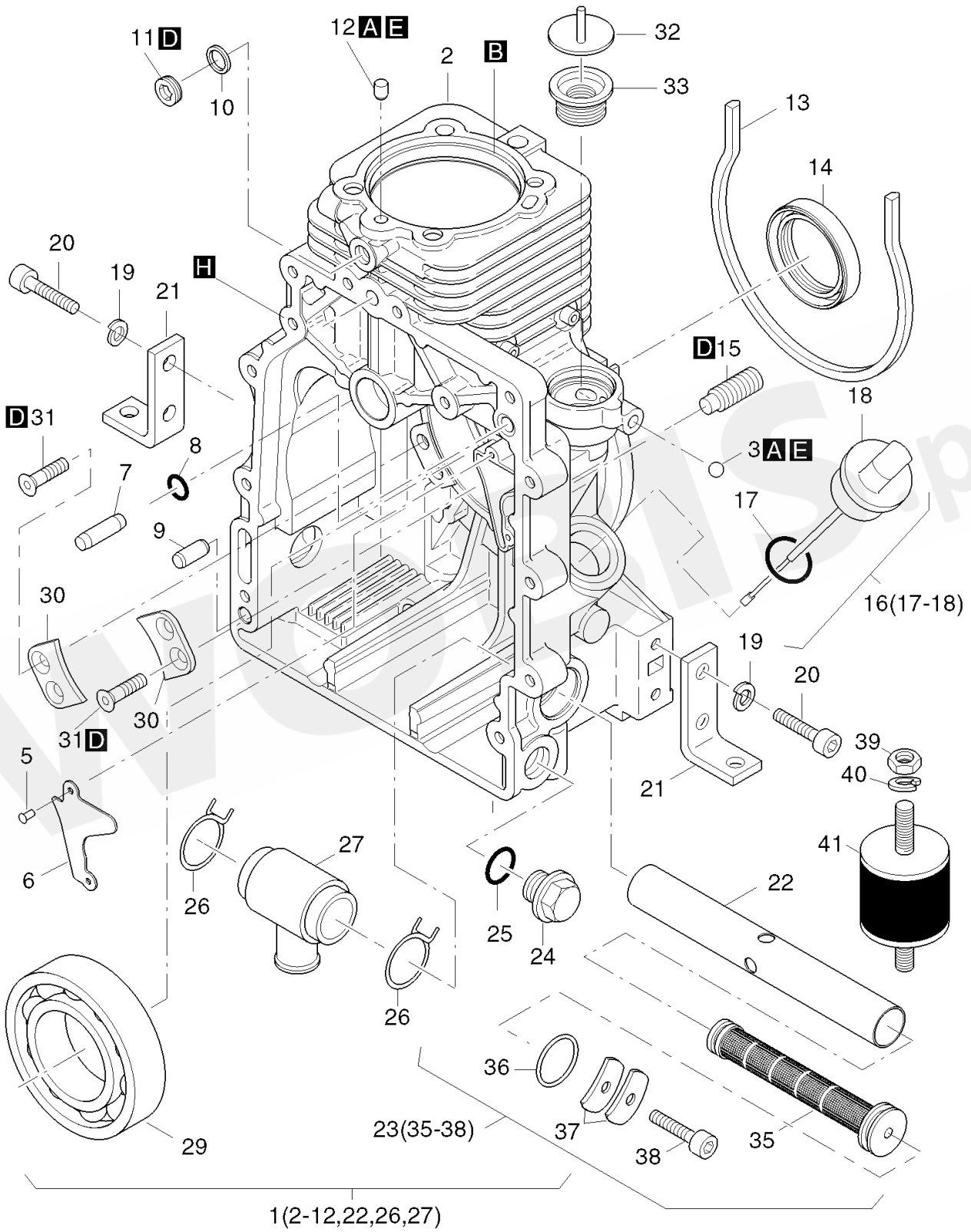
Detailed description: This diagram shows a person operating an engine. The person is labeled '1'. The engine has two cylinders, labeled '2' and '3'. The text 'COMPR.' is above cylinder 2 and 'START' is above cylinder 3. A large arrow points from the person towards the engine. The number '051 300 00' is printed vertically on the right side of the diagram.

1 B 30.26

M34 Accessories

Pos.	Part no.	Description	Qty.	Parts return	Notice	Add. notice	kg	dDPW	List price
1	000001578710	ACCESSORIES KIT 1B30	1	●			0,012		15,66
2	000001330901	TOOLS 1B20/30/40	1	●	Werkzeugsatz - Tool set		0,206		40,44
3	000005110406	STICKER LABEL	1	●	160 x 67mm		0,002		9,30
4	000005130002	STICKER LABEL "START"	1	●			0,001		7,92
A	000050223001	LOCTITE ACTIVATOR N	1	●	500 ML DIN 7649 500 ML DIN 7649		0,580		281,42
B	000050223101	LOCTITE 574	1	●	50 ML		0,088		103,02
C	000050223200	LOCTITE 601	1	●	50 ML		0,079		103,02
D	000050223300	LOCTITE 221	1	●	50 ML		0,077		103,02
E	000050223400	LOCTITE 648	1	●			0,021		40,12
F	000050223800	TECHNICL.ADHES.8058	1	●	750 GR		0,875		138,09
F	000050223900	TECHNICOLL CLEANER	1	●	750 GR		0,870		105,27
G	000050256501	LOCTITE IS 407	1	●			0,033		54,23
H	000070018944	TEROSON TEROSTAT 63	1	●			0,400		
J	000050283004	HIGH TEMP.PASTE	1	●			0,110		74,44
K	000050342600	GREASE START.DEVICE	1	●	100 GRAMM part was replaced by GREAS.STRT.DEV.400G 000050342601		0,100		
K	000050342601	GREAS.STRT.DEV.400G	1	●	400 GRAMM	Old Identno: 000050342600	0,400		57,66
L	000050256600	SILICON SEALER	1	●			0,150		201,05
M	000050485100	GRINDING PASTE 80ML	1	●			0,113		100,28

CD-ID: 004M2



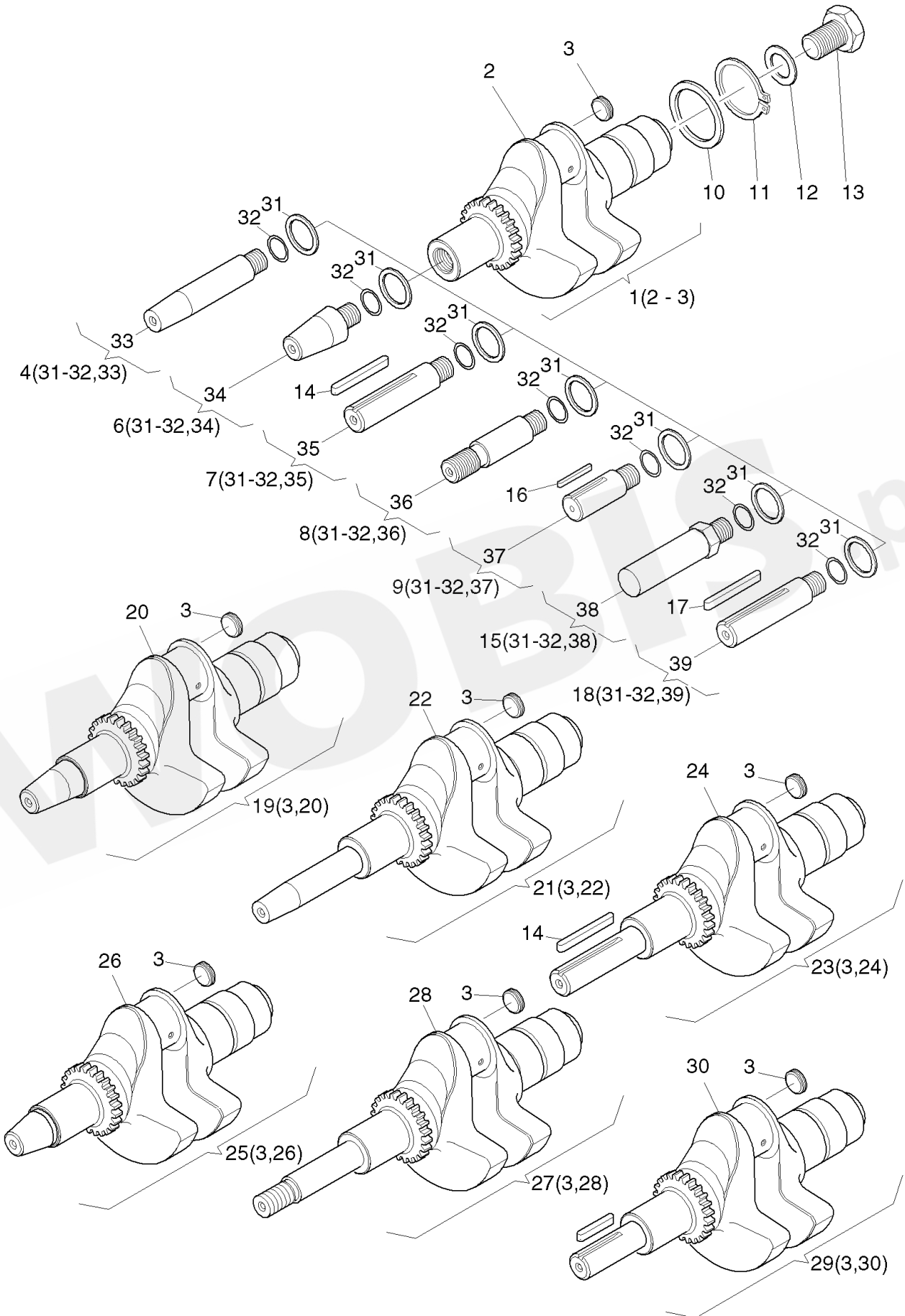
1 B 30.26

M01 Crankcase

Pos.	Part no.	Description	Qty.	Parts return	Notice	Add. notice	kg	dDPW	List price
1	000001582720	CRANKCASE 1B30	1	●			4,622		1212,37
2	_noorder	No single order	-	●					
3	_noorder	No single order	-	●					
5	000040002600	BLINDRIVET3,2K44311	2	●	3,2		0,001		2,62
6	000001333111	COVER SHEET	1	●			0,023		17,66
7	000050502801	CYL.PIN 8 M6X24	1	●	8 M 6 x 24 DIN 6325 2 Fasen		0,009		4,24
8	000050440300	O-RING 8 X1,5	1	●	8 x 1,5		0,001	D1	1,81
9	000050249102	CYL.PIN 8M 6 X 20	1	●	8 M 6 x 20 2-Fasen		0,005		2,62
10	000050062400	JOINT A10 X13,5	1	●	A 10 x 13,5 DIN 7603-Cu		0,001		0,56
11	000050062300	CLOS.SCREW M10X1	1	●	M 10 x 1 DIN 908-5.8 A3C		0,005		4,56
12	_noorder	No single order	-	●					
13	_noorder	No single order	-	●					
14	000050449800	OIL SEAL 42X55X10	1	●	42 x 55 x 10 AS DIN 3760-ST		0,020	D1	48,67
15	000004150600	GRUB SCREW CARB/EPA	1	●			0,018		31,76
16	000001316000	DIPSTICK	1	●			0,030		19,16
17	000004125000	SEALING RING	1	●	26 x 35 x3		0,002	D1	4,06
18	_noorder	No single order	-	●					
19	000050208500	SPRING WASHER 8	8	●	8 DIN 128 A3C		0,001		1,50
20	000004121900	ALL.SCR. M 8X 35	8	●	M 8 x 35 A3C		0,016		2,62
21	000004099302	ENGINE BRACKET	4	●			0,103		22,28
22	000004105710	TUBE F. OILFILTER	1	●			0,087		36,00
23	000001542703	OIL SUCTION FILTER	1	●			0,040		79,62
24	000050373100	DRAIN PLG.MAGNT.M22	1	●	AM22x1,5DIN7604A3C MAGN.		0,038	W1	30,76
25	000050001600	JOINT A22 X27	1	●	A 22 x 27 DIN 7603 Cu		0,002	D2, W4	2,37

Pos.	Part no.	Description	Qty.	Parts return	Notice	Add. notice	kg	dDPW	List price
26	000005036900	HOSE CLIP	2	●			0,003		7,80
27	000004163000	T-PIECE	1	●			0,042		21,28
29	000050449700	GROOV.BALLBEAR.6309	1	●	DIN 625		0,826		144,77
30	000004094400	PLATE	2	●			0,014		9,73
31	000050564300	CTR.SUNK SCR. M6X16	4	●	M 6 x 16 8.8 MK PRE 80-8		0,004		3,43
32	000001555800	COVER	1	●			0,006		8,49
33	000003568701	DIAPHRAGM	1	●			0,003		39,56
35	_noorder	No single order	-	●					
36	000050475901	O-RING 20X4	1	●	20 x 4		0,002	W1, D1	5,55
37	000005148200	PLATE SPRING	2	●			0,002		5,93
38	000050170700	ALL.SCR.M 6 X 16	1	●	M 6 x 16 DIN 912-8.8A3C		0,006		1,81
39	000050148000	HEXAGON NUT M 8	8	●	M 8 DIN 934-8 A3C		0,005		1,50
40	000050208500	SPRING WASHER 8	4	●	8 DIN 128 A3C		0,001		1,50
41	000050286700	ANTI VIBR.MOUNTINGS	4	●	A40/40 M8 x 23 M8X23 NR40		0,110		34,44
A	000050223001	LOCTITE ACTIVATOR N	1	●	500 ML DIN 7649 500 ML DIN 7649		0,580		281,42
B	000050223101	LOCTITE 574	1	●	50 ML		0,088		103,02
D	000050223300	LOCTITE 221	1	●	50 ML		0,077		103,02
E	000050223400	LOCTITE 648	1	●			0,021		40,12
H	000070018944	TEROSON TEROSTAT 63	1	●			0,400		

CD-ID: 004M2

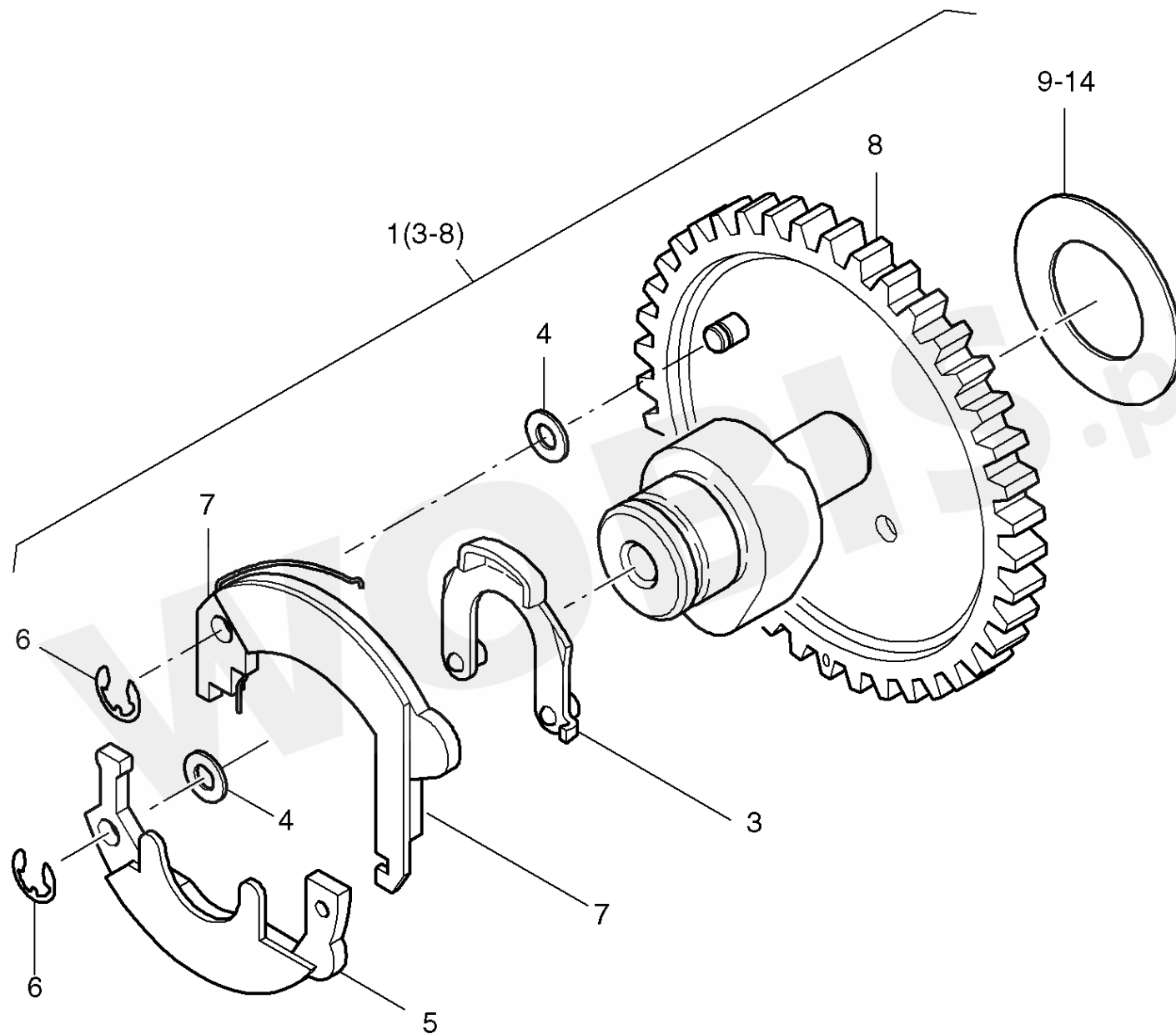


1 B 30.23

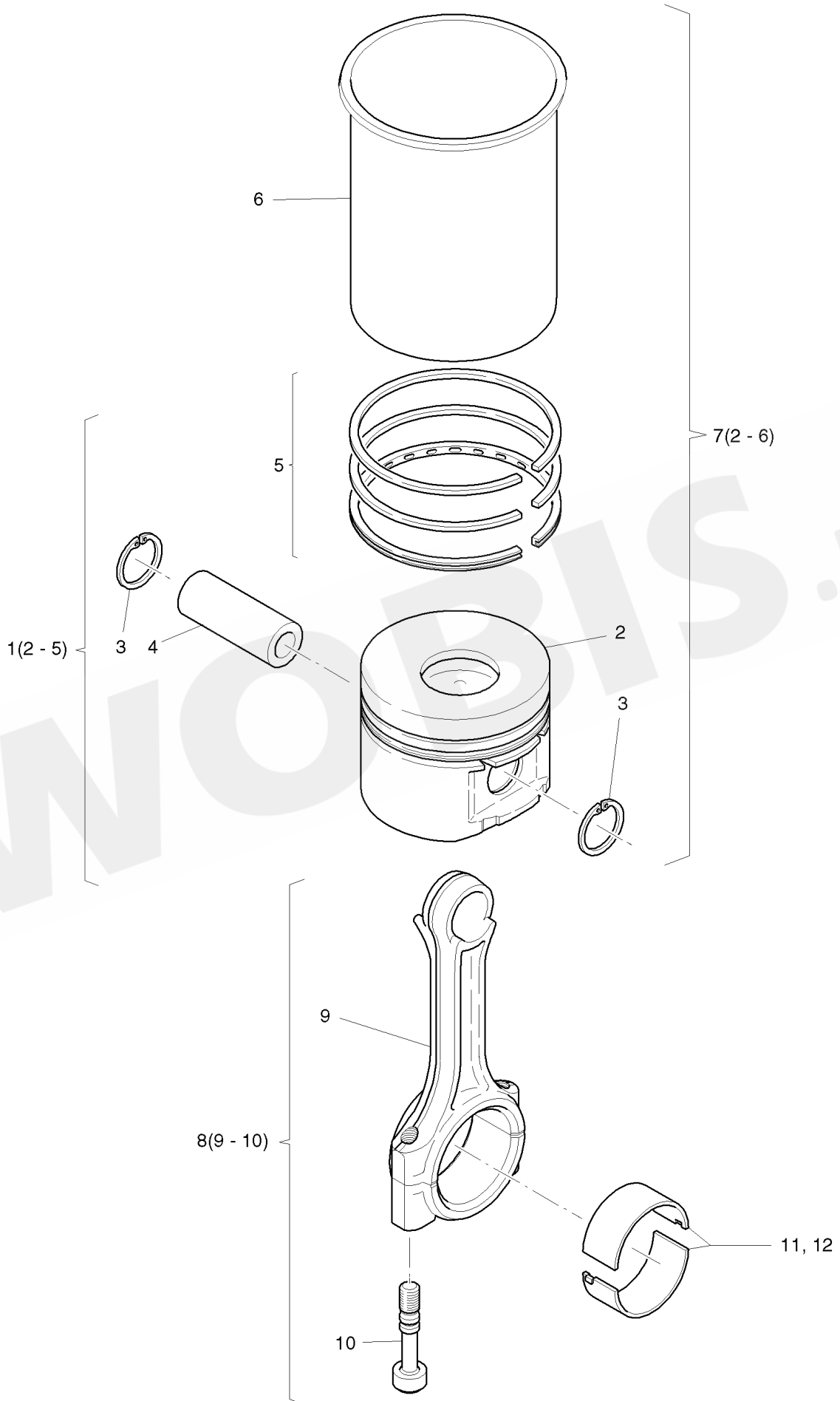
M02 Crankshaft

Pos.	Part no.	Description	Qty.	Parts return	Notice	Add. notice	kg	dDPW	List price
1	000001334201	CRANKSHAFT NO.X	1	●			4,020		969,01
2	_noorder	No single order	-	●					
3	000004287600	COVER 12	1	●	12		0,002		4,68
4	000001580503	STUBSHAFT NO.4	1	●	Nr. 4 SAE Generator \varnothing 7/8"		0,435		328,54
6	000001595302	STUBSHAFT TAPD.25MM	1	●	keg., con. \varnothing 25 f. Gen.		0,189		299,08
6	000001324602	STUBSH.NO.6 TAP 23	1	●	Nr. 6 ital. 23 keg., con.		0,235		250,66
7	000001580704	STUBSHAFT NO.2	1	●	Nr. 2 - \varnothing 1" zyl., cil.		0,449		375,77
8	000001580805	STUBSHAFT NO.1	1	●	Nr. 1 - SAE \varnothing 1" - 14 UNS 2A		0,449		332,09
9	000001580602	STUBSHAFT CYL. 25DU	1	●	\varnothing 25 zyl., cil.		0,313		412,90
10	000040065600	SUPPORTING DISC SS	1	●	45 x 55 x 3,0		0,016		10,98
11	000050021600	CIRCLIP 45X1,75	1	●	A 45 x 1,75 DIN 471		0,006		5,80
12	000004114201	DISC 18,5X37X5	1	●	18,5 x 37 x 5		0,031		24,52
13	000050443600	HEXSCREW M18X1,5X55	1	●	M 18 x 1,5 x 55 DIN 961 - 10.9		0,150		19,59
14	000005141600	FITTINGKEY 6,35X61	1	●	A 6,35 x 61		0,018		12,36
15	000001554002	STUBSHAFT RAW HEX.27	1	●	SW 27 mm, \varnothing 26,8 mm		0,563		228,82
16	000050473700	FITTINGKEY A 8 X 7 X 45	1	●	7 x 8 x 45 DIN 6885		0,018		3,12
17	000050463400	FITTINGKEY A 5 X 5 X 36	1	●	A 5 x 5 x 36 DIN 6885		0,006		1,93
18	000001349102	STUBSHAFT CYL.22,2	1	●	\varnothing 22,2 zyl., cil.		0,313		360,55
19	000001333901	CRANKSHAFT NO.6	1	●	Nr. 6 ital. 23 keg., con.		4,030		969,01
20	_noorder	No single order	-	●					
21	000001329901	CRANKSHAFT	1	●	Nr. 4 SAE Generator \varnothing 7/8"		4,030		969,01
21	000001995900	CRANKSHAFT NO.14	1	●	Nr.14 SAE 25,4		4,323		
22	_noorder	No single order	-	●					
23	000001334111	CRANKSHAFT NO.2	1	●	Nr.2 \varnothing 1"zyl., cil.		4,285		969,01

Pos.	Part no.	Description	Qty.	Parts return	Notice	Add. notice	kg	dDPW	List price
24	_noorder	No single order	-	●					
25	000001885500	CRANKSHAFT 3 GEN-M	1	●	Nr. 3 keg., con. ø30 mm f. Gen.		4,030		969,01
26	_noorder	No single order	-	●					
27	000001855900	CRANKSHAFT NO.5	1	●	Nr. 5 ø25 zyl., cil. M 20 x 1,5		5,680		969,01
28	_noorder	No single order	-	●					
29	000001856000	CRANKSHAFT NO.9	1	●	Nr. 9 ø25 zyl., cil.		5,680		969,01
30	_noorder	No single order	-	●					
31	000005294300	WASHER 23,3X30X1,75	1	●	23,3 x 30 x 1,75 ROBIN		0,004		27,71
32	000050608100	O-RING 18 X 1,5	1	●	18 x 1,5		0,001		1,93
33	_noorder	No single order	-	●					
34	_noorder	No single order	-	●					
35	_noorder	No single order	-	●					
36	_noorder	No single order	-	●					
37	_noorder	No single order	-	●					
38	_noorder	No single order	-	●					
39	_noorder	No single order	-	●					



CD-ID: 004M2

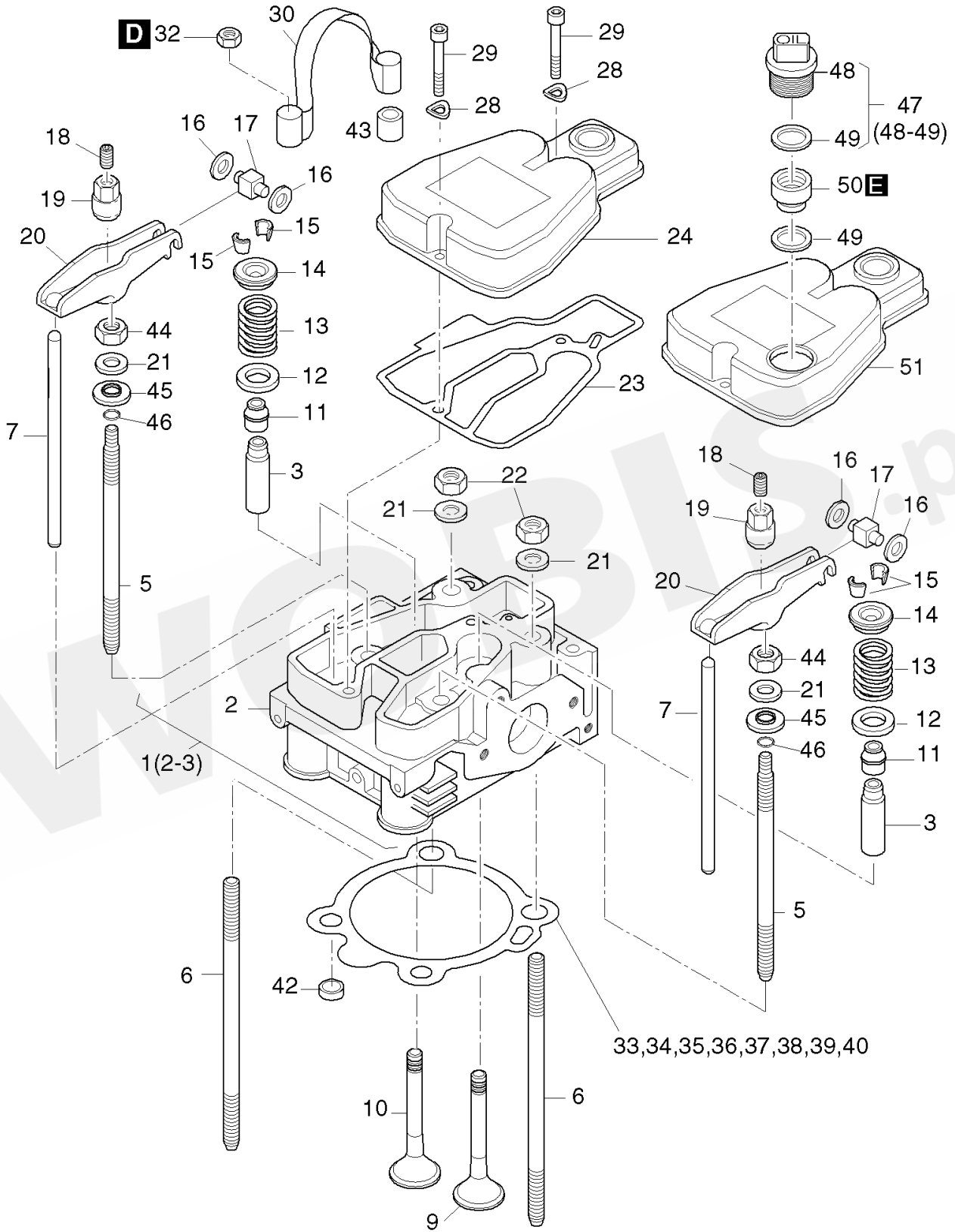


M05 Piston, conrod, cylinder 1 B 30.27

M05 Piston, conrod, cylinder 1 B 30.27

Pos.	Part no.	Description	Qty.	Parts return	Notice	Add. notice	kg	dDPW	List price
1	000001390620	PISTON 80 EPA4	1	●	80 mm part was replaced by PISTON 80 EPA4 000001390621		0,516		480,98
1	000001390621	PISTON 80 EPA4	1	●		Old Identno: 000001390620	0,516		
2	_noorder	No single order	-	●					
3	000050464000	CIRCLIP	2	●	DIN 73130		0,001		24,40
4	_noorder	No single order	-	●					
5	000001390700	PISTON RING SET 80	1	●			0,040		121,49
6	_noorder	No single order	-	●					
7	000001582620	CYL. W. PISTON EPA4	1	●			1,294		531,02
8	000001329201	CONROD	1	●			0,490		522,48
9	_noorder	No single order	-	●					
10	000004113100	CONROD SCREW	2	●			0,019		16,85
11	000001582100	BIG END BEARING	1	●			0,020		64,77
12	000001582000	BIG END BEAR.0,5-	1	●	-0,5 mm		0,028		99,96

CD-ID: 004M2



M07b Cylinder head - 1B30 1 B 30.26

M07b Cylinder head - 1B30 1 B 30.26

CD-ID: 004M2

Pos.	Part no.	Description	Qty.	Parts return	Notice	Add. notice	kg	dDPW	List price
1	000001393610	CYLINDER HEAD	1	●			1,857		804,59
2	_noorder	No single order	-	●					
3	000005129500	VALVE GUIDE	2	●			0,015		48,67
5	000005097500	STUD CYL.HEAD 141MM	2	●	141 mm (M 10 - M 8)		0,065		32,07
6	000005097400	STUD CYL.HEAD 148MM	2	●	148 mm (M 10)		0,071		29,45
7	000005098900	PUSHROD	2	●	174,8 mm		0,032		23,71
9	000005093000	VALVE INLET	1	●			0,046		53,35
10	000005093100	VALVE EXHAUST	1	●			0,039		62,96
11	000050425800	VALVE STEM SEAL CAP	2	●			0,001	d2	11,11
12	000004093700	WASHER	2	●			0,003		8,42
13	000004113500	VALVE SPRING	2	●			0,017		13,79
14	000004093800	SPRING PLATE	2	●			0,009		30,51
15	000002252500	COLLET	2	●			0,002		8,92
16	000005240700	SUPP.DISC 6X12X1,35	0... 4	●	6 x 12 x 1,35		0,001		5,99
16	000050445100	SUPP.DISC 6X12X1,2	0... 4	●	6 x 12 x 1,2 DIN 988		0,008		1,50
17	000005091101	SLIDER	2	●			0,005		15,85
18	000050513100	GRUB SCREW M 8X10	2	●	M 8 x 10 DIN 916-45H		0,002	W2	1,50
19	000005054700	NUT F. ROCKERARM	2	●			0,012		31,45
20	000005098202	ROCKER	2	●			0,066		28,39
21	000005099300	WASHER 10,1 X24X 3	4	●	10,1 x 24 x 3		0,008		8,11
22	000050396600	HEXAGON NUT M 10	2	●	M 10 DIN 934-10 A3C		0,011		2,81
23	000005093310	GASKET ZYL.HEAD COV	1	●			0,005	d1, W4	13,42
24	000005092720	COVER F.CYL.HEAD	1	●			0,298		91,35
28	000050081200	SPRING WASHER A 6	2	●	A 6 DIN 137 - A3C		0,001		0,50

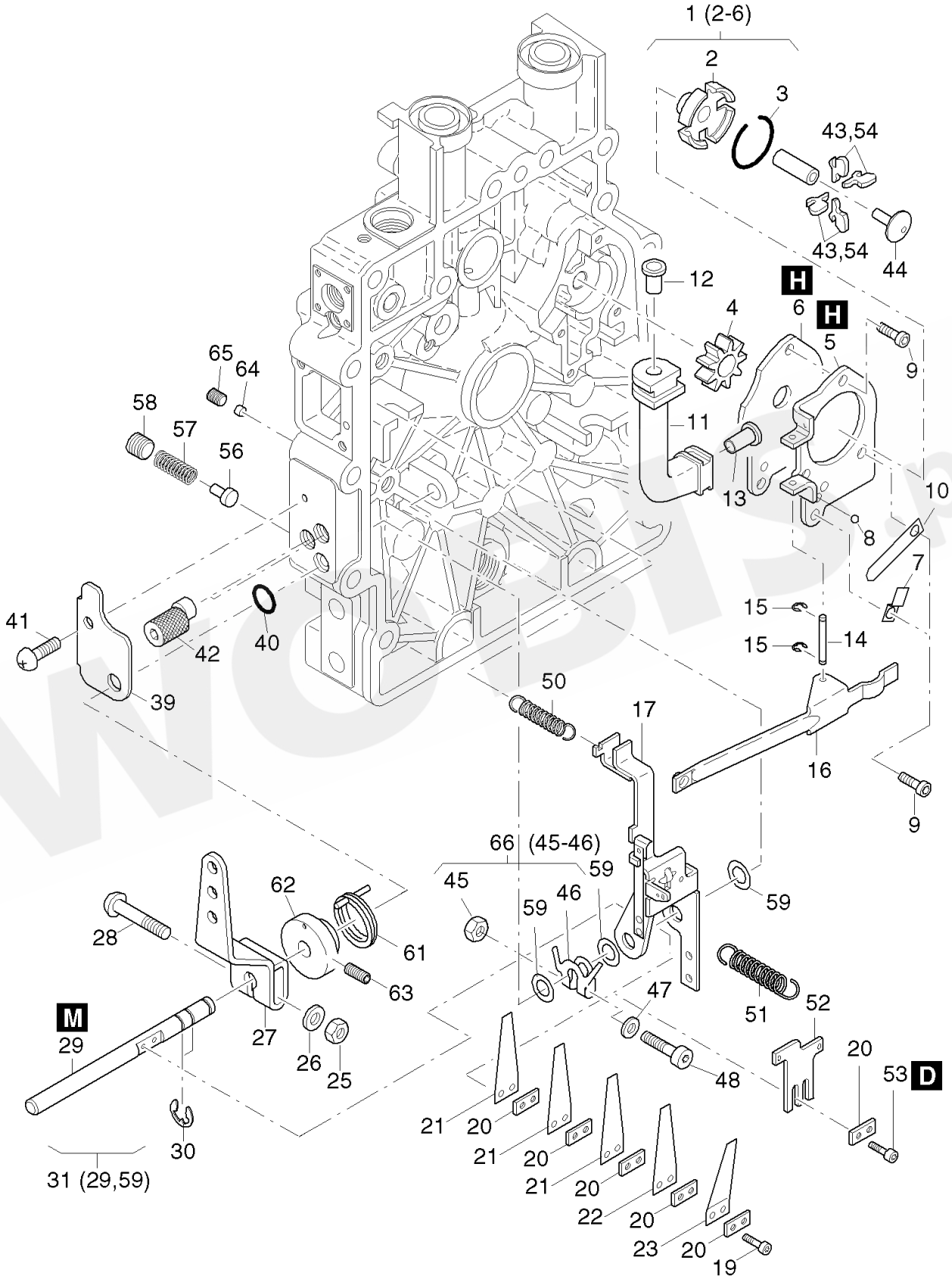
M07b Cylinder head - 1B30 1 B 30.26

CD-ID: 004M2

Pos.	Part no.	Description	Qty.	Parts return	Notice	Add. notice	kg	dDPW	List price
29	000050374900	ALL.SCR.M 6X35	2	●	M 6 x 35 DIN 912-8.8A3C		0,010		2,12
30	000004117701	LIFTING STRAP	1	●			0,005		12,29
32	000050023800	HEXAGON NUT B M10	2	●	BM 10 DIN 439 - A3C		0,003		1,19
33	000005096301	GASK.F.CYL.HEAD 0,3	0... 1	●	0,3 mm		0,009		10,17
34	000005096401	GASK.F.CYL.HEAD 0,4	0... 1	●	0,4 mm		0,012		13,17
35	000005096501	GASK.F.CYL.HEAD 0,5	0... 1	●	0,5 mm		0,014	d1	14,60
35	000004248800	GASK.F.CYL.H. 0,55	0... 1	●	0,55 mm		0,016		15,91
36	000005096601	GASK.F.CYL.HEAD 0,6	0... 1	●	0,6 mm		0,017	d1	16,10
36	000004248900	GASK.F.CYL.H. 0,65	0... 1	●	0,65 mm		0,019		19,09
37	000005096701	GASK.F.CYL.HEAD 0,7	0... 1	●	0,7 mm		0,020	d1	19,22
37	000004249000	GASK.F.CYL.H. 0,75	0... 1	●	0,75 mm		0,022		21,09
38	000005096801	GASK.F.CYL.HEAD 0,8	0... 1	●	0,8 mm		0,020		21,34
39	000005096901	GASK.F.CYL.HEAD 0,9	0... 1	●	0,9 mm		0,022		23,65
40	000005097001	GASK.F.CYL.HEAD 1,0	0... 1	●	1,0 mm		0,023		24,52
42	000004229000	CENTR.BUSH CYL.HEAD	2	●	10 x 11,5 x 4,5		0,001	d2	6,05
43	000004126100	PROTECTION HOSE	2	●	(10 x 12 x 9)		0,001		1,06
44	000050396600	HEXAGON NUT M 10	2	●	M 10 DIN 934-10 A3C		0,011		2,81
45	000004243700	DISC F. CYL. HEAD	2	●			0,004	d2	13,67
46	000050563900	O-RING 10 X 2,5	2	●	10x 2,5		0,001	d2	1,93
47	000001936500	CAP SCREW	1	●			0,017		14,91
48	_noorder	No single order	-	●					
49	000005278401	SEALING RING26X35X4	2	●	26 x 35 x 4		0,002		8,92
50	000005321100	CONNECTING PIECE	1	●			0,027		53,54
51	000005321210	COVER F. CYL.HEAD	1	●			0,290		154,50

CD-ID: 004M2

M10 Oil pump, governor, speed control 1 B 30.24



M10 Oil pump, governor, speed control 1 B 30.24

CD-ID: 004M2

Pos.	Part no.	Description	Qty.	Parts return	Notice	Add. notice	kg	dDPW	List price
1	000001530220	COVER F. OILPUMP	1	●			0,133		206,48
2	_noorder	No single order	-	●					
3	000004210910	CIRCLIP	1	●			0,003		1,56
4	_nopart	Not in this engine	-	●					
5	_nopart	Not in this engine	-	●					
6	_noorder	No single order	-	●					
7	000005097100	RETAINING STRAP	1	●			0,001		3,12
8	000050447900	BALL 3,5 MM G100	1	●	3,5mm KL. III		0,001		0,50
9	000050429400	ALL.SCR. M 5X 12	4	●	M5 x 12 DIN 6912 - 8.8		0,003		1,81
10	000005097300	FLAT SPRING 0,4	1	●	0,4 mm		0,001		5,24
11	000004102900	TUBE OIL SUCTION	1	●			0,015		13,92
12	000050447400	TUBERIVET A8X0,5X12	1	●	A8 x 0,5 x 12 DIN 7340 - St		0,005		1,56
13	000050447500	TUBERIVET 10X12	1	●	A10 x 0,75 x 12 DIN 7340 - St		0,003		2,06
14	000005078600	SHAFT	1	●			0,002		8,99
15	000050434800	CIRCLIP 1,9	2	●	1,9 DIN 6799		0,001		0,50
16	000005079401	LEVER	1	●			0,025		38,88
17	000001530404	GOVERNOR LEVER	1	●			0,057		93,66
19	000050435000	ALL.SCR. M 3 X 12	2	●	M 3 x 12 DIN 912-8.8		0,001		1,81
20	000005079800	INTERMED. PLATE	1... 5	●			0,002		4,18
21	000005131600	GOVERNOR SPRING 0,2	1... 3	●	0,2 mm	Gen.-PV 78	0,001		5,99
21	000005385500	GOVERNOR SPRING 0,25	0... 2	●	0,25 mm		0,002		
22	000005078900	GOVERNOR SPRING 0,3	1	●	0,3 mm	Gen.-PV 78	0,002		6,43
23	000005148600	STOP SPRING	1	●	0,4 mm	19° Gen.-PV 78	0,002		10,23
25	000050346500	HEXAGON NUT M6	1	●	M 6 DIN 934 - 10 A2F 8 10.9		0,002		1,31

M10 Oil pump, governor, speed control 1 B 30.24

CD-ID: 004M2

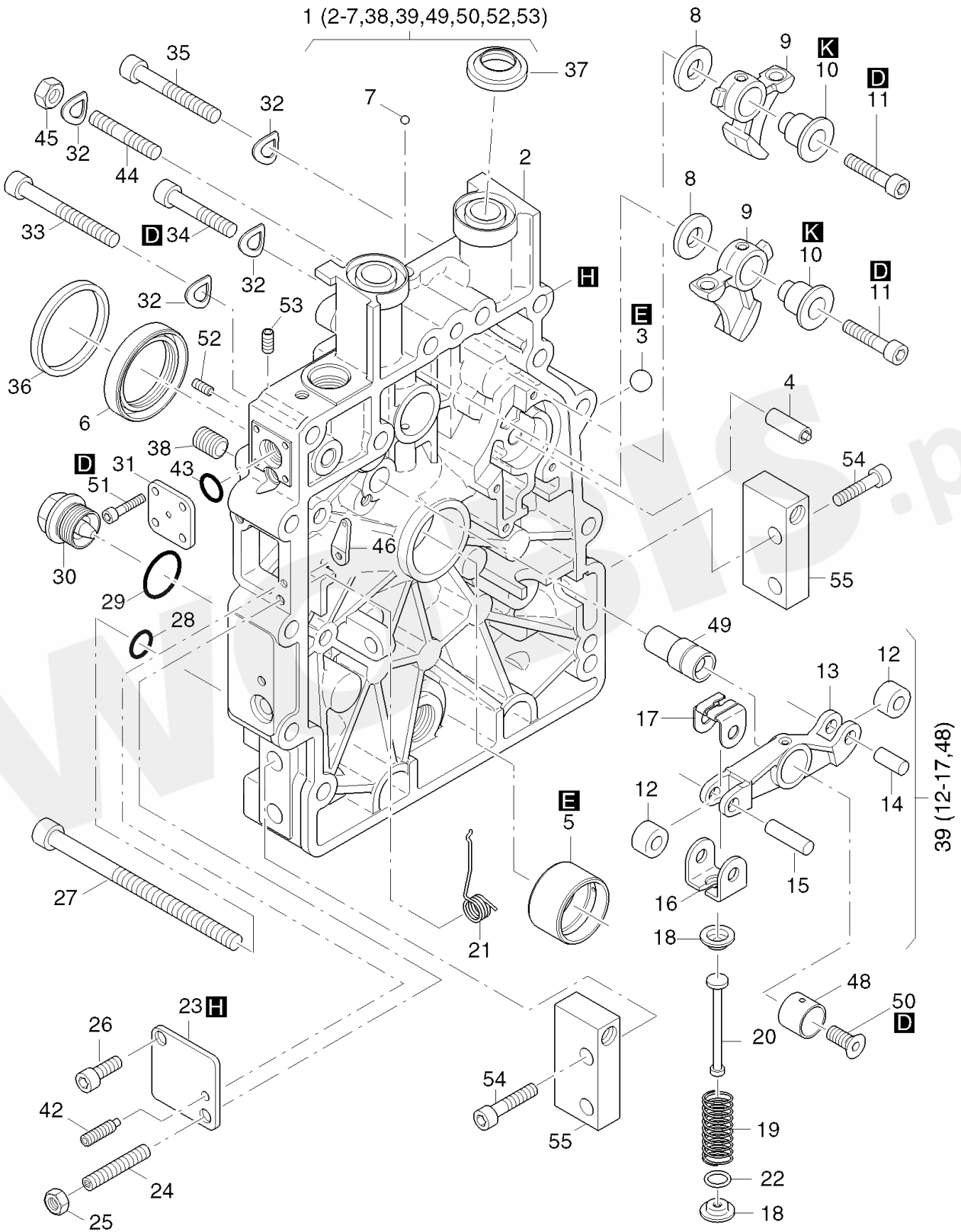
Pos.	Part no.	Description	Qty.	Parts return	Notice	Add. notice	kg	dDPW	List price
26	000050144500	FLAT WASHER 6,4	1	●	6,4 DIN 125-St A3C		0,001		0,50
27	000004095600	LEVER	1	●			0,059		27,89
28	000003927301	SCREW M 6X 32	1	●	M 6 x 32		0,012		4,56
29	_noorder	No single order	-	●					
30	000050092700	CIRCLIP 7	2	●	7 DIN 6799 A3C		0,001		1,19
31	000001981000	SHAFT	1	●			0,046		37,44
39	000005178400	PLATE	1	●			0,020		7,11
40	000040022401	O-RING 8 X 2 GRAY	1	●	8 x 2 FPM 75 MOLYKOT.		0,002	D1	2,00
41	000050492300	FILL.HEAD SCR.M5X12	1	●	M 5 x 12 ISO 7380-10.9 Zn		0,003		3,31
42	000005178810	ECCENTRIC SCREW	2	●			0,011		42,00
43	000005079611	CENTRIFUGAL WEIGHT	0... 4	●		Gen.-PV 78 (0)	0,002		6,24
44	000005078502	GOVERNOR SLEEVE	1	●			0,004		75,32
45	000050094300	HEXAGON NUT M 5	1	●	M 5 DIN 934-8 A3C		0,001		0,50
46	_noorder	No single order	-	●					
47	000050216300	WASHER 5,3	1	●	5,3 DIN 125-St A3C		0,001		0,50
48	000050492200	ALL.SCR. M 5X 25	1	●	M 5 x 25 DIN 6912-8.8		0,004		1,31
50	000050563400	TENSION SPRING	1	●			0,001		10,05
51	000004290000	GOVERNOR SPRING B20/27/30	0... 1	●			0,003		
52	000005130800	STOP	1	●			0,007		9,80
53	000050465300	ALL.SCR.M 3X 8	2	●	M 3 x 8 DIN 912-8.8		0,001		1,50
54	000005160211	CENTRIFUGAL WEIGHT	0... 4	●		Gen.-PV 78 (4)	0,002		6,24
56	000005151710	PLUG	0... 1	●			0,003		
57	000050488700	PRESSURE SPRING	0... 1	●			0,002		5,55
58	000050475700	GRUB SCREW M10X10	1	●	M 10 x 10 DIN 913-A3C Tuf.		0,004		6,30

M10 Oil pump, governor, speed control 1 B 30.24

Pos.	Part no.	Description	Qty.	Parts return	Notice	Add. notice	kg	dDPW	List price
59	000050422400	SHIM 8X14X1	3	●	8 x 14 x 1,0 DIN 988		0,001		1,19
61	000005154010	SPRING	0... 1	●	STOP links/left LINKS		0,005		8,42
61	000005179100	TORSION SPRING	0... 1	●	START rechts/right RECHTS		0,005		8,42
62	000005179000	BUSH	0... 1	●			0,016		21,09
63	000050400600	GRUB SCREW M 5X10	0... 1	●	M 5 x 10 A3C DIN 916-45H		0,001		1,19
64	000005307300	PLUG 4,5 X 3	1	●	4,5 x 3		0,001		3,68
65	000050574600	THREADED PIN M 6X10	1	●	M 6 x 10 DIN 913-45H-A3C		0,001		1,44
66	000002340300	STOP AND NUT	1	●			0,011		
D	000050223300	LOCTITE 221	1	●	50 ML		0,077		103,02
H	000070018944	TEROSON TEROSTAT 63	1	●			0,400		
M	000050485100	GRINDING PASTE 80ML	1	●			0,113		100,28

CD-ID: 004M2

M11 Timing cover
1 B 30.25

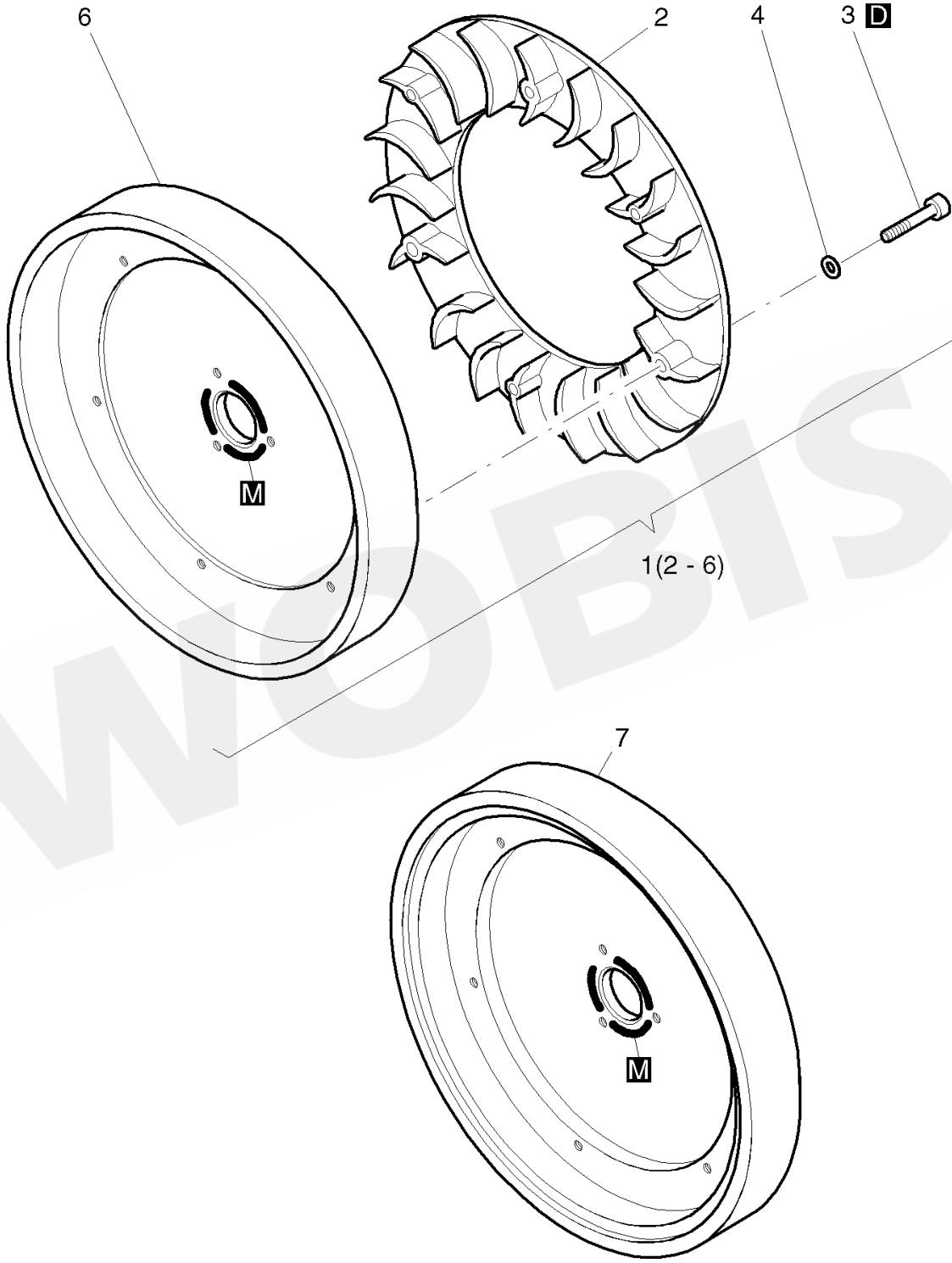


Pos.	Part no.	Description	Qty.	Parts return	Notice	Add. notice	kg	dDPW	List price
1	000001319541	TIMING COVER	1	●			3,062		867,24
2	_noorder	No single order	-	●					
3	_noorder	No single order	-	●					
4	000001533900	BOLT F.GOV.HOUSING	1	●			0,009		37,75
5	000005053101	MAIN BEARING	1	●			0,025		60,40
5	000004124801	MAIN BEARING -0,5	1	●	-0,5 mm		0,035		68,39
6	000040033701	OIL SEAL 30X47X7	1	●	30 x 47 x 7		0,015	D1	34,63
7	_noorder	No single order	-	●					
8	000003794100	WASHER	2	●	10,1 x 22 x 3		0,006		10,86
9	000005053400	CAM FOLLOWER	2	●			0,040		167,17
10	000003794201	CAM FOLLOW SPINDLE	2	●			0,018		41,93
11	000050457900	ALL.SCR. M 6X 25	2	●	M 6 x 25 DIN 912-10.9		0,007		1,50
12	_noorder	No single order	-	●					
13	_noorder	No single order	-	●					
14	_noorder	No single order	-	●					
15	_noorder	No single order	-	●					
16	_noorder	No single order	-	●					
17	_noorder	No single order	-	●					
18	000004094802	CUP	2	●			0,003		20,28
19	000004095700	PRESSURE SPRING	1	●			0,017		14,60
20	000004094700	DRAW ROD	1	●			0,007		17,85
21	000005095210	SPRING F.GOVERNOR	1	●			0,007		8,49
22	000004133900	DISC 10,7X19X0,5	1	●	10,7 x 16 x 0,5		0,001		3,31
23	000004095210	COVER	1	●			0,035		10,23

Pos.	Part no.	Description	Qty.	Parts return	Notice	Add. notice	kg	dDPW	List price
24	000050448901	GRUB SCREW M 6X 30	1	●	M 6 x 30 DIN 913 22 H A3C Tuf. 360 G		0,005		6,43
25	000050144400	HEXAGON NUT M 6	1	●	M 6 DIN 934 - 8 A3C		0,002		1,31
26	000050384200	ALL.SCR.M 6X 12	1	●	M 6x12 DIN 912-8.8 A3C Tuf.		0,005		3,37
27	000050463000	ALL.SCR. M 8X130	2	●	M 8 x130 DIN 912-8.8A3C		0,054		9,17
28	000050162900	JOINT A 8 X14	2	●	A 8 x 14 DIN 7603 - Cu		0,005	D2	1,50
29	000050001600	JOINT A22 X27	1	●	A 22 x 27 DIN 7603 Cu		0,002	W4,D2	2,37
30	000050373100	DRAIN PLG.MAGNT.M22	1	●	AM22x1,5DIN7604A3C MAGN.		0,038	W1	30,76
31	000001351700	COVER	1	●			0,019		17,97
32	000050095100	SPRING WASHER A 8	13	●	A 8 DIN 137 A3C		0,001		0,50
33	000050248800	ALL.SCREW M 8X60	1	●	M 8 x 60 DIN 912-8.8A3C		0,029		3,37
34	000050453401	ALL SCR.M 8X 45 C3A 912-8.8	2	●	M 8 x 45C3A DIN 912-8.8		0,021		
35	000050392900	ALL.SCR.M 8 X 50	9	●	M 8 x 50 DIN 912-8.8A3C		0,025		3,12
36	000004097800	CENTERING INSERT	1	●	SAE A (Zentrierring)		0,005		65,64
37	000004106501	SEALG.RING TIM.COV.	2	●			0,002	d2	10,73
38	000050530600	GRUB SCREW M 8X10	5	●	M 8 x 10 DIN 913 - 45H-A3C-KL		0,002		3,06
39	000001319620	ROCKER LEVER	1	●			0,218		300,77
42	000050274901	GRUB SCREW M 4 X 20	1	●	M 4 x 20 DIN 915TUF360G		0,004		7,43
43	000050329000	O-RING 9,5X2,5	1	●	9,5 x 2,5		0,001	D1	3,06
44	000050038700	STUD M 8X 50	1	●	M 8 x 50 DIN 835 - 8.8 A3C		0,023		4,62
45	000050148000	HEXAGON NUT M 8	1	●	M 8 DIN 934-8 A3C		0,005		1,50
46	000005127100	LEVER	1	●			0,001		4,87
48	_noorder	No single order	-	●					
49	000004096830	CAM FOLLOW SPINDLE	1	●			0,024		42,37
50	000050445000	CTR.SUNK SCR.M6X35	1	●	M 6 x 35 DIN 7991 - 8.8 A3C		0,007		2,06

Pos.	Part no.	Description	Qty.	Parts return	Notice	Add. notice	kg	dDPW	List price
51	000050397100	ALL.SCR.M 4 X 10	4	●	M 4 x 10A3C DIN 912-8.8TUF		0,002		2,43
52	000050400600	GRUB SCREW M 5X10	2	●	M 5 x 10 A3C DIN 916-45H		0,001		1,19
53	000050262400	THREADED PIN M 6X10	1	●	M 6 x 10 DIN 916 TUF360G		0,001		4,87
54	_nopart	Not in this engine	1	●					
55	_nopart	Not in this engine	1	●					
D	000050223300	LOCTITE 221	1	●	50 ML		0,077		103,02
E	000050223400	LOCTITE 648	1	●			0,021		40,12
H	000070018944	TEROSON TEROSTAT 63	1	●			0,400		
K	000050342600	GREASE START.DEVICE	1	●	100 GRAMM part was replaced by GREAS.STRT.DEV.400G 000050342601		0,100		
K	000050342601	GREAS.STRT.DEV.400G	1	●	400 GRAMM	Old Identno: 000050342600	0,400		57,66

CD-ID: 004M2



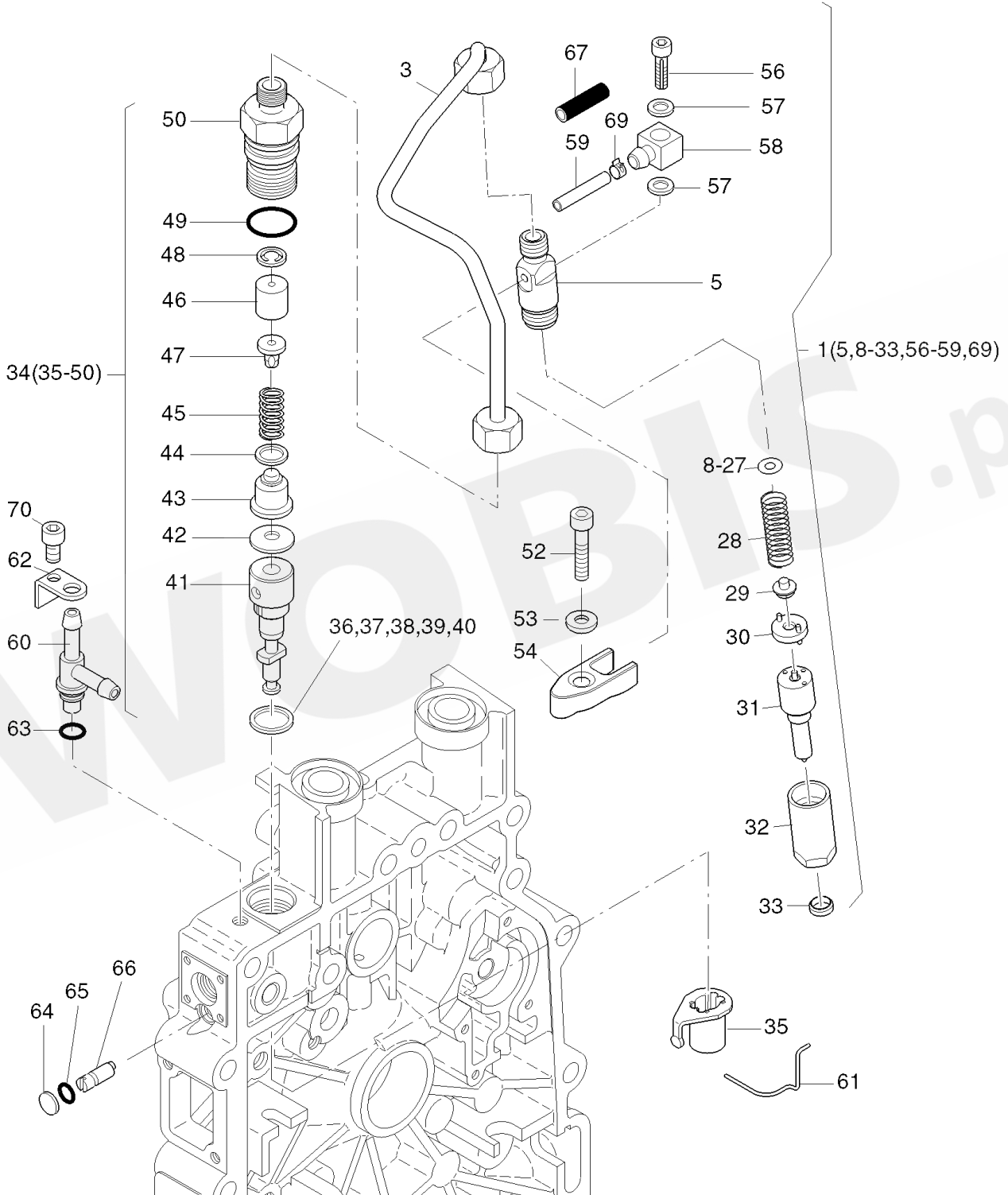
M13 Blower, flywheel 1 B 30.25

M13 Blower, flywheel 1 B 30.25

Pos.	Part no.	Description	Qty.	Parts return	Notice	Add. notice	kg	dDPW	List price
1	_nopart	Not in this engine	-	●					
2	000004193600	BLOWER RING	1	●			0,233		76,75
3	000050327300	ALL.SCR.M 4X 20	6	●	M 4 x 20 DIN 912-8.8 A3C		0,003		0,94
4	000050003400	SPRING WASHER A 4	6	●	A 4 DIN 137 - ST		0,001		0,50
6	000004110302	FLYWHEEL	0... 1	●	leicht, light, leger		5,600		453,09
7	000001397700	FLYWHEEL HEAVY	0... 1	●	schwer, heavy, lourde		7,942		687,21
D	000050223300	LOCTITE 221	1	●	50 ML		0,077		103,02
M	000050485100	GRINDING PASTE 80ML	1	●			0,113		100,28

CD-ID: 004M2

M14 Injection equipment 1 B 30.27



M14 Injection equipment 1 B 30.27

CD-ID: 004M2

Pos.	Part no.	Description	Qty.	Parts return	Notice	Add. notice	kg	dDPW	List price
1	000001389610	INJECTOR CPL. EPA4	1	●			0,104		575,33
3	000002024400	FUEL PRESS.PIPE	1	●			0,073		74,26
5	_noorder	No single order	-	●					
8	000050436400	SHIM 1,0	0 ...1	●	1,00 mm		0,001		11,79
9	000050436500	SHIM 1,04	0 ...1	●	1,04 mm		0,001		11,79
10	000050436600	SHIM 1,10	0 ...1	●	1,10 mm		0,001		11,79
11	000050436700	SHIM 1,14	0 ...1	●	1,14 mm		0,001		11,79
12	000050436800	SHIM 1,20	0 ...1	●	1,20 mm		0,001		10,55
13	000050436900	SHIM 1,24	0 ...1	●	1,24 mm		0,001		9,73
14	000050437000	SHIM 1,30	0 ...1	●	1,30 mm		0,003		9,73
15	000050437100	SHIM 1,34	0 ...1	●	1,34 mm		0,001		9,73
16	000050437200	SHIM 1,40	0 ...1	●	1,40 mm		0,001		9,73
17	000050437300	SHIM 1,44	0 ...1	●	1,44 mm		0,001		9,73
18	000050437400	SHIM 1,50	0 ...1	●	1,50 mm		0,001		9,73
19	000050437500	SHIM 1,54	0 ...1	●	1,54 mm		0,001		9,73
20	000050437600	SHIM 1,60	0 ...1	●	1,60 mm		0,001		9,73
21	000050437700	SHIM 1,64	0 ...1	●	1,64 mm		0,001		9,73
22	000050437800	SHIM 1,70	0 ...1	●	1,70 mm		0,002		9,73
23	000050437900	SHIM 1,74	0 ...1	●	1,74 mm		0,001		9,73
24	000050438000	SHIM 1,80	0 ...1	●	1,80 mm		0,001		9,73
25	000050438100	SHIM 1,84	0 ...1	●	1,84 mm		0,005		11,79
26	000050438200	SHIM 1,90	0 ...1	●	1,90 mm		0,001		9,73
27	000050438300	SHIM 1,94	0 ...1	●	1,94 mm		0,001		9,73
28	_noorder	No single order	-	●					

M14 Injection equipment 1 B 30.27

CD-ID: 004M2

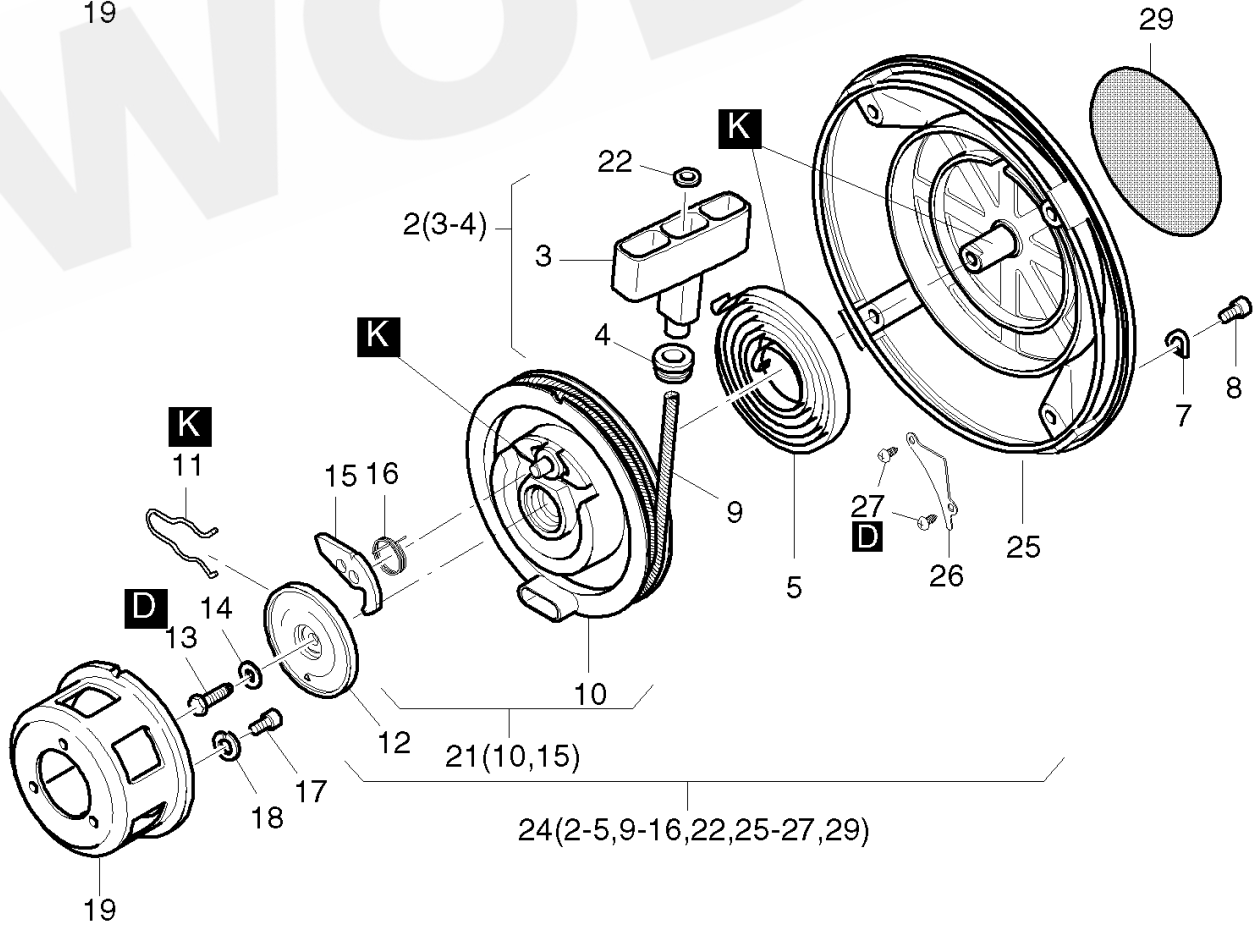
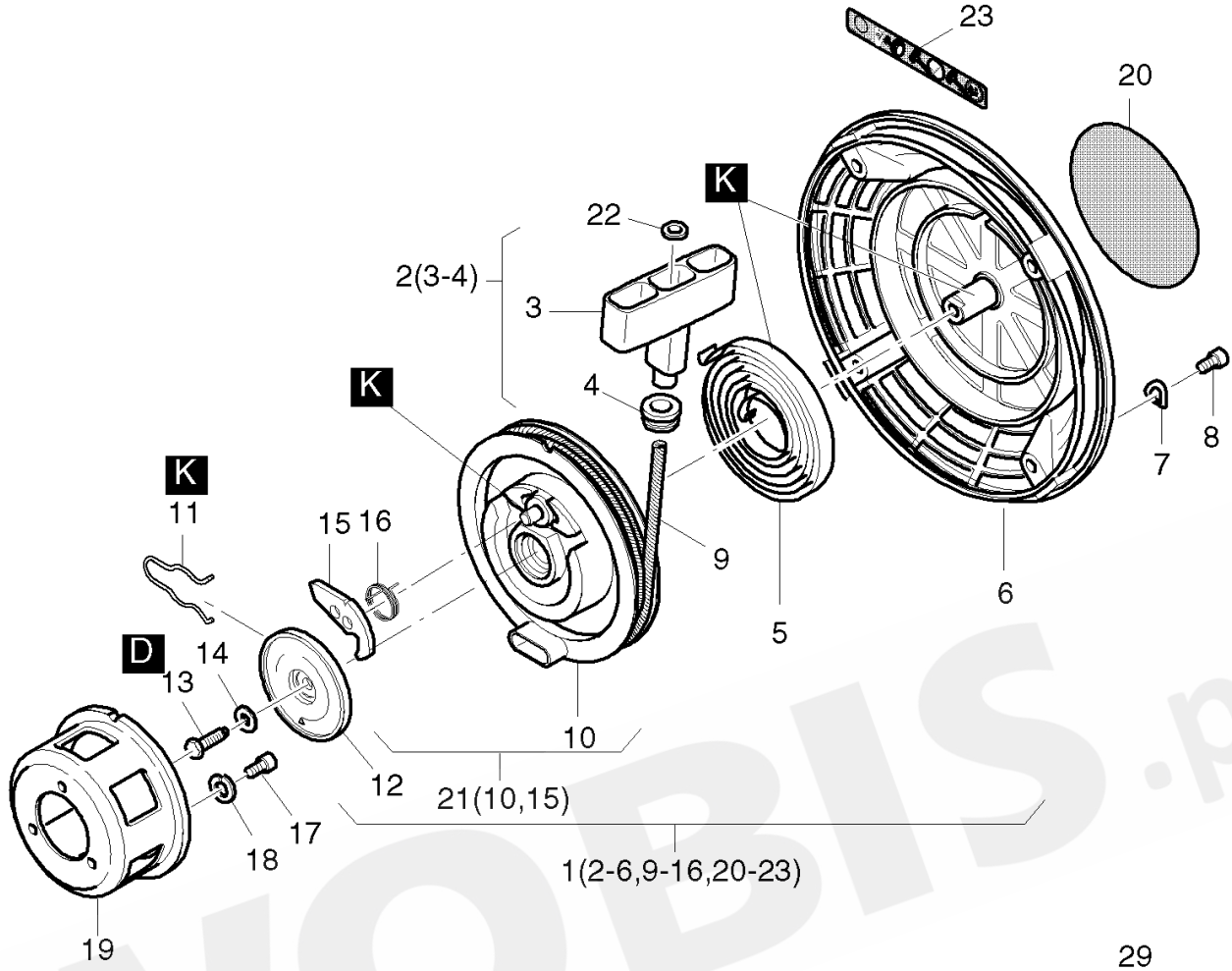
Pos.	Part no.	Description	Qty.	Parts return	Notice	Add. notice	kg	dDPW	List price
29	_noorder	No single order	-	●					
30	_noorder	No single order	-	●					
31	000050566710	NOZZLE B30 EPA4	1	●			0,029	P1	254,78
32	_noorder	No single order	-	●					
33	000005070500	JOINT WASH.F.INJECT	1	●			0,001	d1	9,48
34	000001582920	INJECTION PUMP EPA4	1	●			0,200		504,13
35	000001330801	CONTROL SLEEVE	1	●			0,084		31,39
36	000004096300	SHIM 14X18X0,2	0 ...1	●	0,2 mm		0,001		3,56
37	000004096400	SHIM 14X18X0,3	0 ...1	●	0,3 mm		0,001		3,56
38	000004096500	SHIM 14X18X0,4	0 ...1	●	0,4 mm		0,001		3,56
39	000004096600	SHIM 14X18X0,5	0 ...1	●	0,5 mm		0,003		3,56
40	000004096700	SHIM 14X18X0,6	0 ...1	●	0,6 mm		0,003		3,56
41	_noorder	No single order	-	●					
42	000004165200	SEALING WASHER	1	●	8		0,003		9,30
43	_noorder	No single order	-	●					
44	000050476900	JOINT WASHER	1	●	9,5 x 13 x 0,5		0,002		7,68
45	_noorder	No single order	-	●					
46	_noorder	No single order	-	●					
47	_noorder	No single order	-	●					
48	000005180800	VALVE PLATE	1	●			0,001		4,56
49	000050489200	O-RING 17 X 2	1	●	17 x 2		0,001	D1	3,31
50	000005181100	DELIV.VALVE HOLDER	1	●	part was replaced by DELIV.VALVE HOLDER 000005181101		0,062		
50	000005181101	DELIV.VALVE HOLDER	1	●		Old Identno: 000005181100	0,067		80,06

M14 Injection equipment 1 B 30.27

CD-ID: 004M2

Pos.	Part no.	Description	Qty.	Parts return	Notice	Add. notice	kg	dDPW	List price
52	000050323900	ALL.SCR.M 6X 30	1	●	M 6 x 30 DIN 912-8.8A3C		0,009		2,37
53	000050596500	BALL DISC C 6,4	1	●	6,4		0,001		8,30
54	000004281801	FORK F. INJECTOR	1	●			0,029		19,84
56	000004281900	ALL.SCR. M 4 X 14	1	●	M 4 x 14		0,003		2,43
57	000050110800	JOINT A 4X8	2	●	A4 x 8 DIN 7603-Cu		0,001		1,50
58	000005129000	CONNECTING NIPPLE	1	●			0,002		17,97
59	000004282000	HOSE 2,5X245	1	●	2,5 x 245		0,005		15,60
60	000001756800	NIPPLE	1	●			0,010		39,62
61	000004161800	HOLDING SPRING	1	●			0,002		6,24
62	000005390700	SUPPORT	1	●			0,005		
63	000050154300	O-RING 7,5X10,5X1,5	1	●	7,5 x 1,5		0,001	D1	2,62
64	000050476000	DISC 8	1	●	8 DIN 470 Al		0,001		5,55
65	000050330100	O-RING 4X 1,2	1	●	4 x 1,2		0,001		1,06
66	000004097710	ECCENTRIC PIN	1	●			0,002		11,73
67	000005267901	INSUL.HOSE 185MM	1	●	185 mm		0,014		3,06
69	000050577900	CLAMP 6	1	●	6 0,5X6,0XA6,0 part was replaced by CLAMP 6 000050577901		0,001		4,06
69	000050577901	CLAMP 6	1	●		Old Identno: 000050577900	0,001		
70	000050547000	ALL.SCR. M 5X 25	1	●	M 5 x 25 DIN 912 - 8.8 A3C Tuf. LOC		0,005		1,75

CD-ID: 004M2

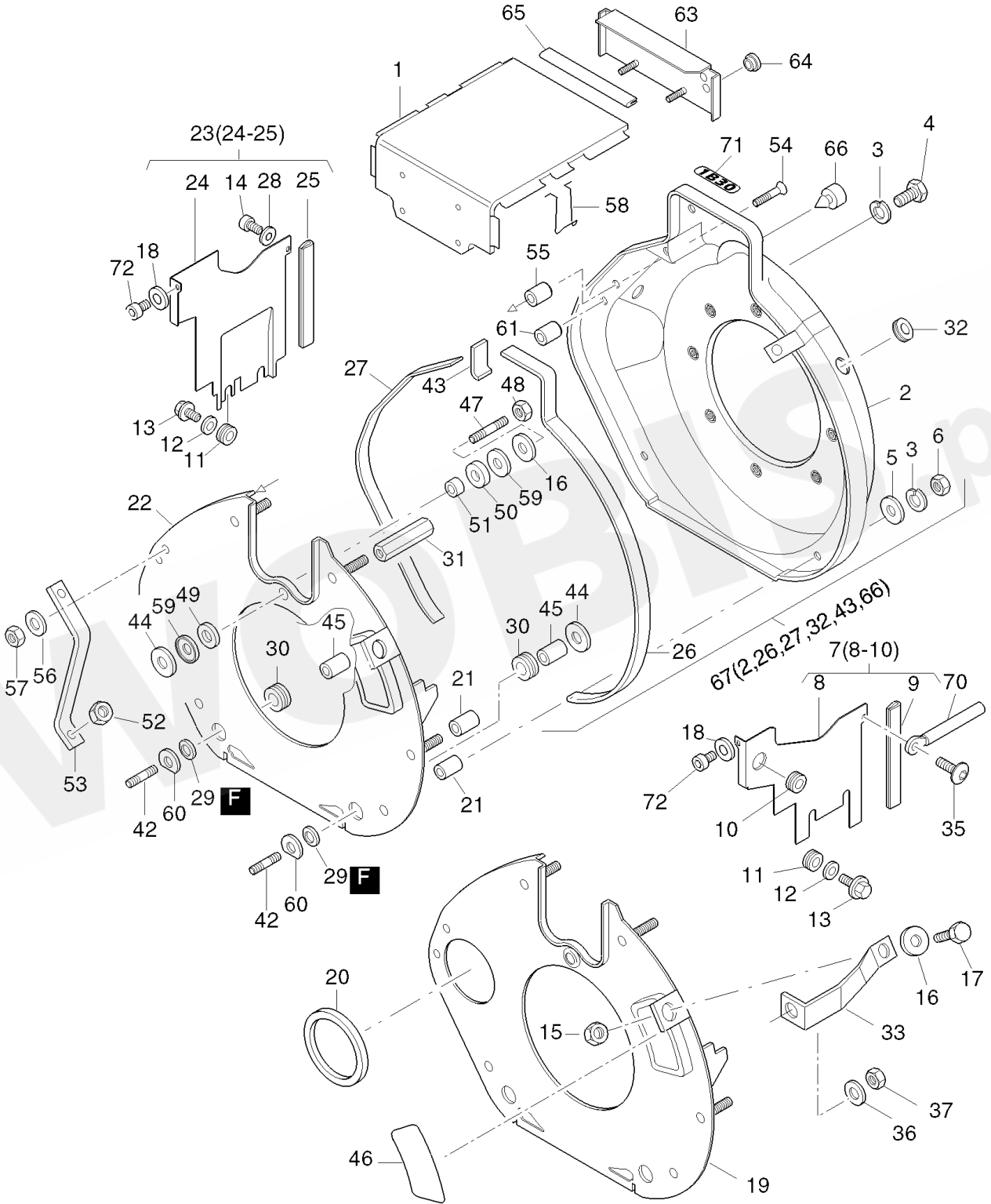


1 B 30.28

M15 Recoil starter

Pos.	Part no.	Description	Qty.	Parts return	Notice	Add. notice	kg	dDPW	List price
1	000002319100	RECOIL-STARTER	1	●			0,847		
2	000001497800	HANDLE F.REV.START	1	●			0,022		24,96
3	_noorder	No single order	-	●					
4	000003665200	RUBBER SLEEVE	1	●			0,002		5,62
5	000005045202	RETURN SPRING	1	●			0,129		50,92
6	000001569310	HOUSING F.RECOIL-ST	1	●			0,500		
7	000050081200	SPRING WASHER A 6	4	●	A 6 DIN 137 - A3C		0,001		0,50
8	000050062700	ALL.SCR.M 6X 10	4	●	M 6 x 10 DIN 912-8.8 A3C		0,003		1,31
9	000001929000	ROPE F.RCOIL.2040MM	1	●	2040 mm		0,027		14,29
10	_noorder	No single order	-	●					
11	000005044901	BRAKE SPRING	1	●			0,003		12,17
12	000005045001	BRAKE DISC	1	●			0,011		12,11
13	000050146300	HEXSCREW M 6X 18	1	●	M 6 x 18 DIN 933-8.8 A3C		0,005		1,06
14	000050390701	CON.SPR.WASHER 6	1	●	6 DIN 6796 - 6 - FST ZN		0,001		1,12
15	000005044800	RATCHET F.REV.START	1	●			0,026		16,97
16	000005061300	RETURN SPRING	1	●			0,001		11,17
17	000050062700	ALL.SCR.M 6X 10	3	●	M 6 x 10 DIN 912-8.8 A3C		0,003		1,31
18	000050170900	SPRING WASHER 6	3	●	6 DIN 128 - A3C		0,001		0,50
19	000004155000	DRIVING SLEEVE	1	●			0,177		44,74
20	000005109103	STICKER LABEL	1	●			0,002		8,11
21	000001548800	ROPE PULLEY	1	●			0,170		84,86
22	000050514600	WASHER 5,3	1	●	5,3 DIN 9021 PA 6.6		0,001		1,12
23	000005333801	STICKER	1	●			0,001		3,74
24	000001887201	RECOIL-STARTER	0... 1	●	"SILENT" LAERMPAKET		0,904		464,32

CD-ID: 004M2



M26b Air ducting - 1B30 1 B 30.22

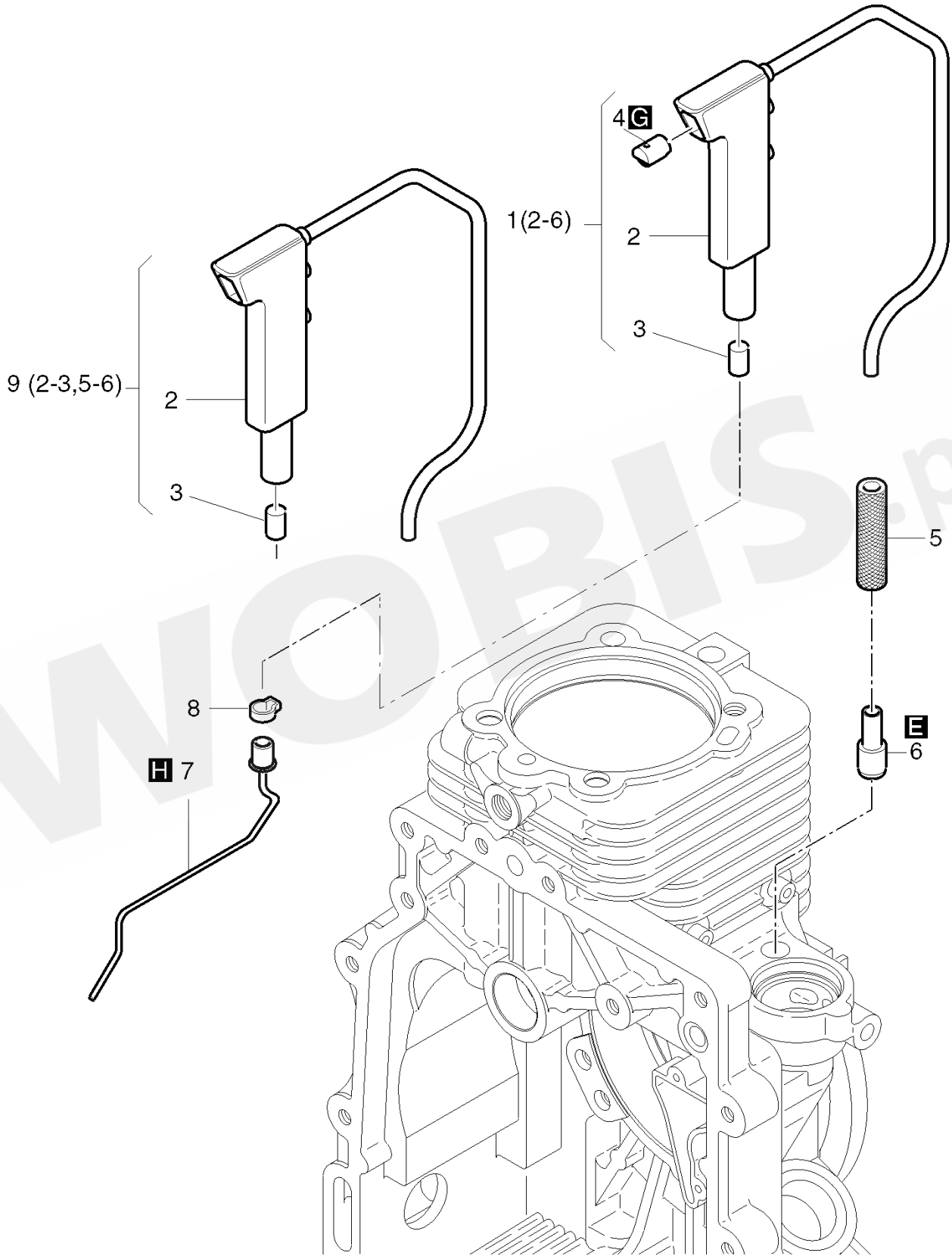
Pos.	Part no.	Description	Qty.	Parts return	Notice	Add. notice	kg	dDPW	List price
1	000001551401	HOOD	1	●			0,292		97,84
2	_noorder	No single order	-	●					
3	000050170900	SPRING WASHER 6	7	●	6 DIN 128 - A3C		0,001		0,50
4	000050146300	HEXSCREW M 6X 18	1	●	M 6 x 18 DIN 933-8.8 A3C		0,005		1,06
5	000050120000	DISC A 6,4	2	●	A 6,4 DIN 9021-St A3C		0,003		0,50
6	000050144400	HEXAGON NUT M 6	6	●	M 6 DIN 934 - 8 A3C		0,002		1,31
7	000001326300	COOLING AIR DUCTING	1	●			0,143		29,45
8	_noorder	No single order	-	●					
9	000005128900	SEALING STRIP 80MM	1	●	80 mm		0,006		9,48
10	000050334800	RUBBER SLEEVE	1	●			0,001		3,37
11	000050163801	RUBBER SLEEVE	3	●			0,001		4,31
12	000050441600	WASHER 4,3	3	●	4,3 DIN 9021 - A3C 140HV		0,001		0,50
13	000050445401	FILL.HEAD SCR.M4X10	3	●	M 4 x 10 ST A3C		0,002		1,44
14	000050528100	ALL.SCR. M 6X 16	1	●	M6x16DIN6912-8.8A3C KL360G		0,002		4,56
15	000050144400	HEXAGON NUT M 6	1	●	M 6 DIN 934 - 8 A3C		0,002		1,31
16	000050114300	DISC 6,4	2	●	6,4 x 17 x 3 DIN 7349 A3C		0,005		1,06
17	000050177100	HEXSCREW M 6X 16	1	●	M 6 x 16 DIN 933-8.8 A3C		0,005		1,50
18	000050144500	FLAT WASHER 6,4	2	●	6,4 DIN 125-St A3C		0,001		0,50
19	000001326810	PARTING SHEET	1	●	E-Start		0,545		158,25
20	000004099500	SEALING RING	1	●			0,004		13,79
21	000005197500	BUSH 6,5X12X20	4	●	6,5 x 12 x 20		0,005		7,92
22	000001326710	PARTING SHEET	1	●			0,530		153,19
23	000001326200	COOLING AIR DUCT.	1	●			0,171		31,20
24	_noorder	No single order	-	●					

Pos.	Part no.	Description	Qty.	Parts return	Notice	Add. notice	kg	dDPW	List price
25	000004111500	SEALING STRIP 119MM	1	●	119 mm		0,009		10,55
26	000005108101	SEALING STRIP530MM	1	●	530 mm		0,052		
27	000004124601	SEALING STRIP 443MM	1	●	443mm		0,043		
28	000004060600	WASHER 6,4X16X1,5	1	●	6,4 x 16 x 1,5 A3C		0,002		2,00
29	000003575500	RUBBER SEAL RING	2	●			0,002		4,87
30	000001378300	SPACER BUSH	2	●			0,009		17,35
31	000005198100	SPACER	1	●	59 mm		0,015		80,18
32	000050453300	RUBBER SLEEVE	1	●			0,002		4,87
33	000001599610	SUPPORT	1	●			0,048		19,53
35	000050495000	SCREW M6X12	1	●	M 6 x 12 DIN 7380-10.9 A3C		0,004		2,68
36	000050095100	SPRING WASHER A 8	1	●	A 8 DIN 137 A3C		0,001		0,50
37	000050344700	HEXAGON NUT M 8	1	●	M 8 DIN 936 - 5 A3C		0,004		1,50
42	000050458100	STUD M 6 X45	2	●	M 6 x 45 DIN 835 - 8.8 A3B		0,011		3,49
43	000005198200	SEALING STRIP 48	1	●	48 mm		0,004		5,93
44	000004042000	WASHER 6,5X22,5X1	3	●	6,5 x 22,5 x 1		0,003		3,06
45	000004098400	SPAC.TUBE 7X12X16,3	2	●	7 x 12 x 16,3		0,004		8,49
46	000004215000	CLOSING COVER	0... 1	●			0,021		13,85
47	000050464401	STUD M 6FO X35	1	●	M 6 x 35 DIN 939- 8.8 A3C Tuf.		0,008		6,93
48	000050328300	HEXAGON NUT VM6	1	●	VM 6 DIN 980-8 A3C		0,002		1,50
49	000005133800	RUBBER SEAL RING	1	●	16 x 25 x 4		0,002		5,18
50	000005133900	RUBBER SEAL RING	1	●	16 x 25 x 8		0,003		5,68
51	000005132700	BUSH 6,5X17X11,5	1	●	6,5 x 17 x 11,5		0,006		7,18
52	000050148000	HEXAGON NUT M 8	1	●	M 8 DIN 934-8 A3C		0,005		1,50
53	000005133001	SUPPORT F.FUEL TANK	1	●			0,052		14,04

Pos.	Part no.	Description	Qty.	Parts return	Notice	Add. notice	kg	dDPW	List price
54	000050445000	CTR.SUNK SCR.M6X35	1	●	M 6 x 35 DIN 7991 - 8.8 A3C		0,007		2,06
55	000005132810	SPAC.TUBE 7X12X18,3	1	●	7 x 12 x 18,3		0,001		9,48
56	000050170900	SPRING WASHER 6	1	●	6 DIN 128 - A3C		0,001		0,50
57	000050144400	HEXAGON NUT M 6	1	●	M 6 DIN 934 - 8 A3C		0,002		1,31
58	000005145800	SPRING CLIP	1	●			0,001		11,73
59	000005097600	WASHER	2	●	8,5 - 27		0,007		3,06
60	000004145300	DISC	2	●			0,002		3,06
61	000005132810	SPAC.TUBE 7X12X18,3	1	●	7 x 12 x 18,3		0,001		9,48
63	000001603500	COVER	1	●			0,115		89,48
64	000050334800	RUBBER SLEEVE	2	●			0,001		3,37
65	000005219000	SEALING STRIP 118MM	1	●	118mm		0,007		3,93
66	000050392610	RUBBER BUSH	0... 4	●			0,001		4,80
67	000001831201	BLOWER DUCTING	1	●			1,283		
70	000005001200	CLIP	1	●			0,005		7,99
71	000005314100	STICKER 1B30	1	●	1B30		0,002		
72	000050474200	ALL.SCR. M 6X 16	2	●	M6x16 DIN912-8.8 A3C Tuf.360		0,006		4,56
F	000050223900	TECHNICOLL CLEANER	1	●	750 GR		0,870		105,27
F	000050223800	TECHNICL.ADHES.8058	1	●	750 GR		0,875		138,09

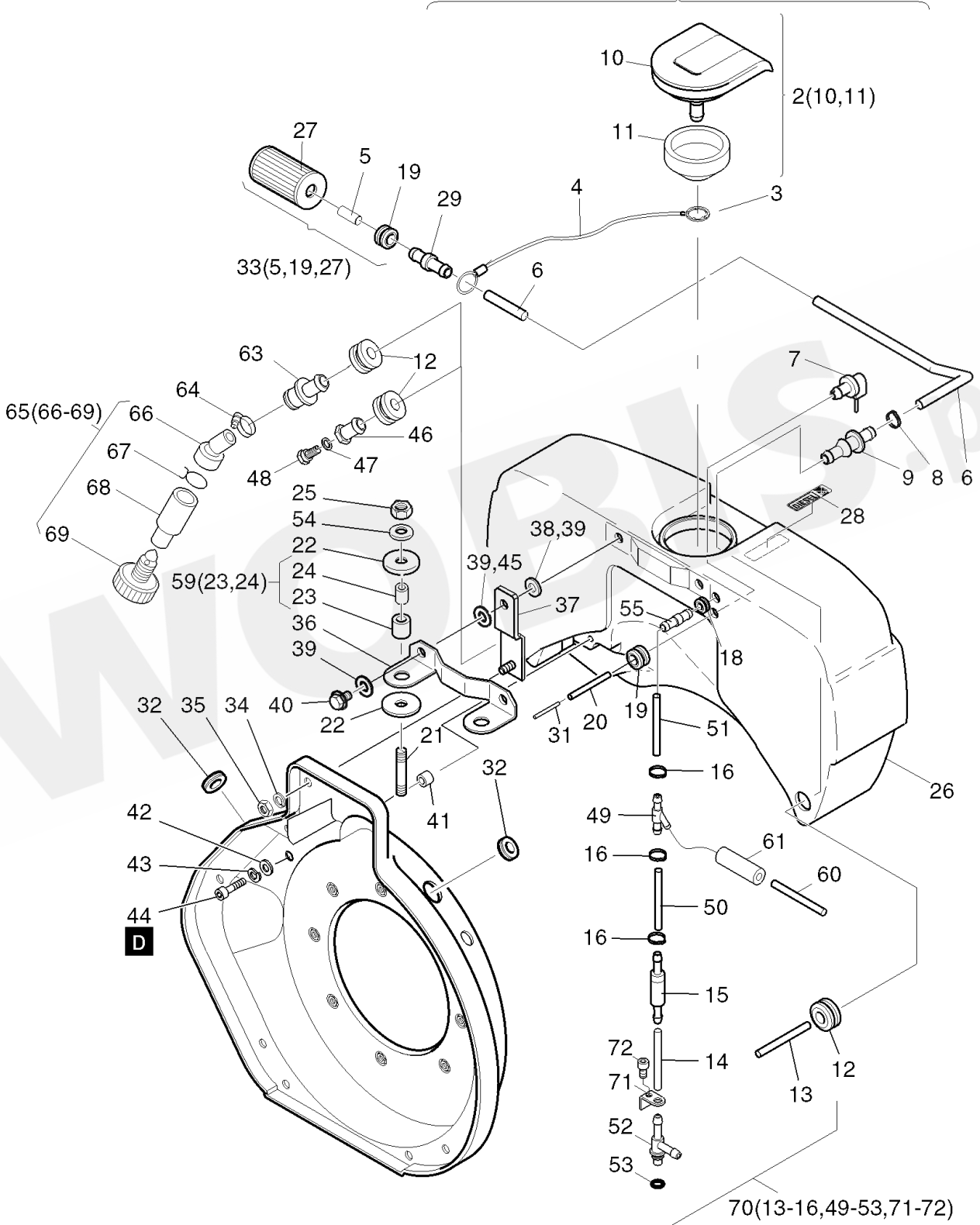
CD-ID: 004M2

M31 Crankcase breathing system 1 B 30.25



CD-ID: 004M2

1(2-12,18-20,26-29,46-48,55)
62(2-12,18-20,26-29,55,63)



1 B 30.25

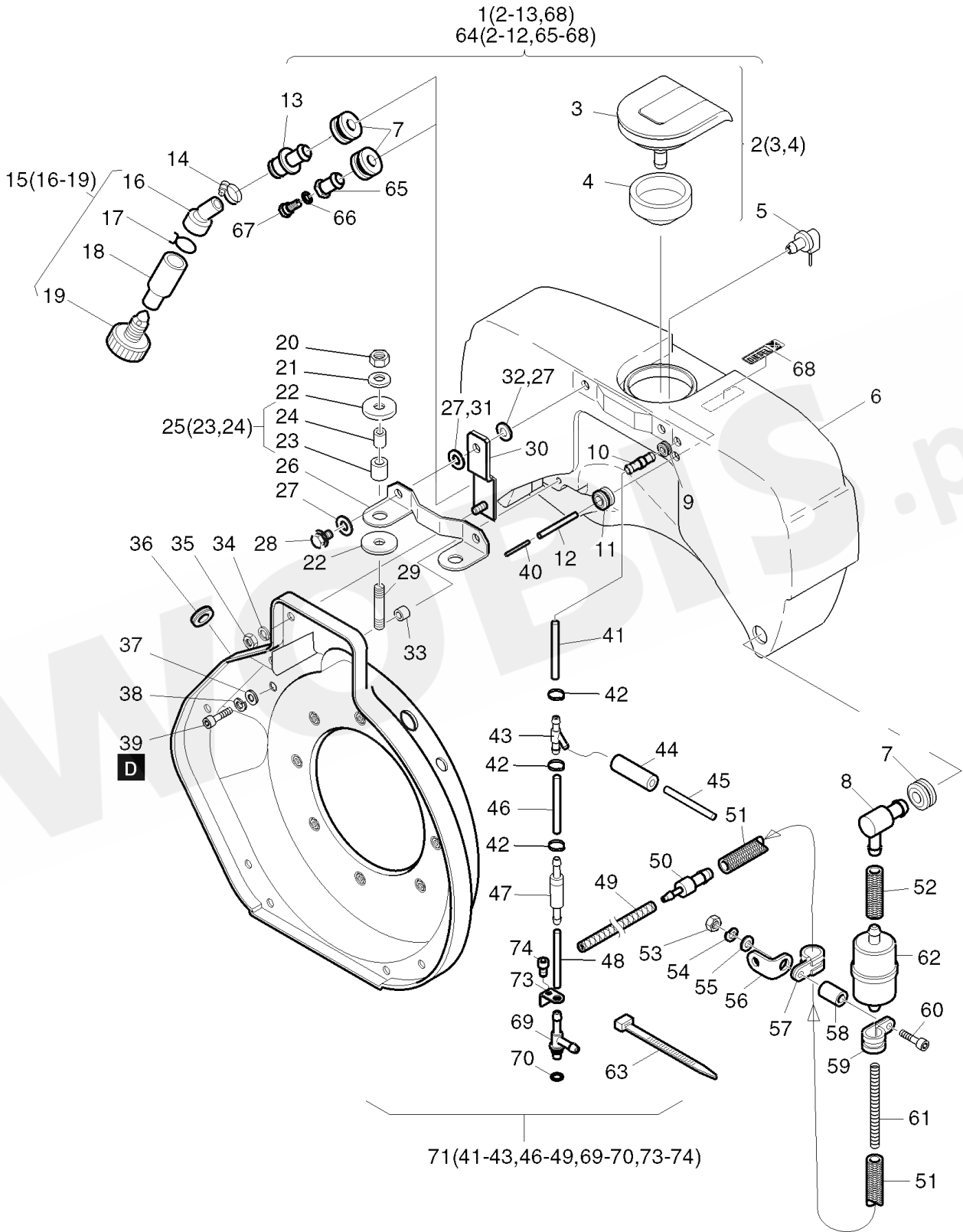
Z01a Fuel

Pos.	Part no.	Description	Qty.	Parts return	Notice	Add. notice	kg	dDPW	List price
1	000001588620	FUEL TANK 5L	1	●	5 l		1,498		698,19
2	000001535302	CAP F. FUEL TANK	1	●	kpl. cpl.		0,100		36,13
3	000050500800	CIRCLIP 8	1	●	8 DIN 6799		0,004		0,87
4	000001628900	ROPE	1	●	~440mm		0,003		2,62
5	_noorder	No single order	-	●					
6	000005311000	FUEL HOSE 3,5X300	1	●	3,5 x 300		0,013		9,55
7	000001534900	FUEL VENT. VALVE	1	●			0,004		51,54
8	000050399801	CLAMP 11,3	1	●	11,3		0,002		7,68
9	000005084010	CONNECTING NIPPLE	1	●			0,006		25,52
10	_noorder	No single order	-	●					
11	000005086401	GASKET F. FUEL CAP	1	●			0,028		11,11
12	000050440800	RUBBER SLEEVE	2	●			0,004		9,05
13	000005188310	FUEL PIPE 3,5X 170	1	●	3,5 x 170 mm		0,016		9,17
14	000005366400	FUEL PIPE 6 X 40	1	●	6 x 12 x 40mm		0,005		6,12
15	000000805502	VENT VALVE	1	●			0,004		14,04
16	000050570900	CLAMP 12,8	3	●	12,8		0,003		8,05
18	000005130400	RUBBER SLEEVE	1	●			0,001		9,55
19	000050440901	RUBBER SLEEVE	2	●			0,001		7,86
20	000005085601	BREATH.HOSE 1X3X100	1	●	1 x 3 x 100		0,003		9,55
21	000050231900	STUD M 8X 25	2	●	M 8 x 25 DIN 835-8.8 A3C		0,012		3,37
22	000005109810	DISC 8,20X22X2	4	●	8,2 x 22 x 2		0,001		3,12
23	_noorder	No single order	-	●					
24	000005122800	INSULATING SLEEVE	2	●			0,001		9,73
25	000040028400	HEX.NUT M 8	2	●	VM 8 DIN 980-8 C3A		0,008		2,37

Pos.	Part no.	Description	Qty.	Parts return	Notice	Add. notice	kg	dDPW	List price
26	_noorder	No single order	-	●					
27	_noorder	No single order	-	●					
28	000005235602	STICKER DIESEL	1	●	"DIESEL"		0,001		2,43
29	000005189001	CONNECTING NIPPLE	1	●			0,003		17,16
31	000005085500	TUBE 2X0,3X 16	1	●	2 x 0,3 x 16		0,001		3,87
32	_noorder	No single order	-	●					
33	000001635210	FUEL FILTER	1	●			0,015	W2	20,78
34	000050170900	SPRING WASHER 6	2	●	6 DIN 128 - A3C		0,001		0,50
35	000050144400	HEXAGON NUT M 6	2	●	M 6 DIN 934 - 8 A3C		0,002		1,31
36	000005122300	SUPPORT	1	●			0,060		19,84
37	000001331300	SUPPORT	2	●			0,018		11,04
38	_noorder	No single order	-	●					
39	000005110010	DISC 7,1X17,9X2	4	●	7,1 x 17,9 x 2		0,001		1,87
40	000001677100	HEXSCREW M6X20	2	●	M 6 x 20		0,008		5,05
41	_nopart	Not in this engine	0	●					
42	000050144500	FLAT WASHER 6,4	4	●	6,4 DIN 125-St A3C		0,001		0,50
43	000050170900	SPRING WASHER 6	4	●	6 DIN 128 - A3C		0,001		0,50
44	000050149100	ALLEN SCREW M 6X 12	4	●	M 6 x 12 DIN 912-8.8A3C		0,005		1,19
45	000050114300	DISC 6,4	2	●	6,4 x 17 x 3 DIN 7349 A3C		0,005		1,06
46	000005188200	CONNECTING NIPPLE	1	●			0,003		15,35
47	000050313100	JOINT A 6 X10	1	●	A 6 x 10 DIN 7603-Cu.		0,001		0,50
48	000003613600	VENT SCREW M 6	1	●	M 6 A3C		0,005		14,10
49	000005175602	HOSE NIPPLE T	1	●			0,002		
50	000003807110	FUEL HOSE 5,0X 150	1	●	5 x 150		0,015		8,17

Pos.	Part no.	Description	Qty.	Parts return	Notice	Add. notice	kg	dDPW	List price
51	000004060410	FUEL HOSE 5,0 X 100	1	●	5 x 100		0,008		6,74
52	000001756800	NIPPLE	1	●			0,010		39,62
53	000050154300	O-RING 7,5X10,5X1,5	1	●	7,5 x 1,5		0,001	D1	2,62
54	000050148100	FLAT WASHER 8,4	2	●	8,4 DIN 125-St A3C		0,002		0,50
55	000005184400	CONNECTING NIPPLE	1	●			0,002		10,73
59	000001655800	INSULATING TUBE	2	●			0,005		19,72
60	000004282000	HOSE 2,5X245	1	●	2,5 x 245		0,005		15,60
61	000005213010	INSUL.HOSE 25MM	1	●	7 x 25		0,005		1,06
62	000001666710	FUEL TANK 5L	1	●	5 l für Wasserabscheider +WASSERABSCHIED		1,528		700,25
63	000005172300	CONNECTING NIPPLE	1	●	F. WASSERABSCH.		0,039		15,29
64	000050448000	CLAMP	1	●			0,008		9,42
65	000001519402	WATER SEPARATOR	1	●			0,025		64,02
66	000005044001	HOSE 20/12 MM	1	●			0,003		17,72
67	000005036900	HOSE CLIP	1	●			0,003		7,80
68	000005043901	WATER SEPARATOR	1	●			0,012		19,91
69	000050414800	CLOS. SCREW M 10	1	●	M 10		0,007		12,29
70	000002298700	FUEL PIPE	1	●			0,080		112,94
71	000005390700	SUPPORT	1	●			0,005		
72	000050547000	ALL.SCR. M 5X 25	1	●	M 5 x 25 DIN 912 - 8.8 A3C Tuf. LOC		0,005		1,75
D	000050223300	LOCTITE 221	1	●	50 ML		0,077		103,02

CD-ID: 004M2



1 B 30.25

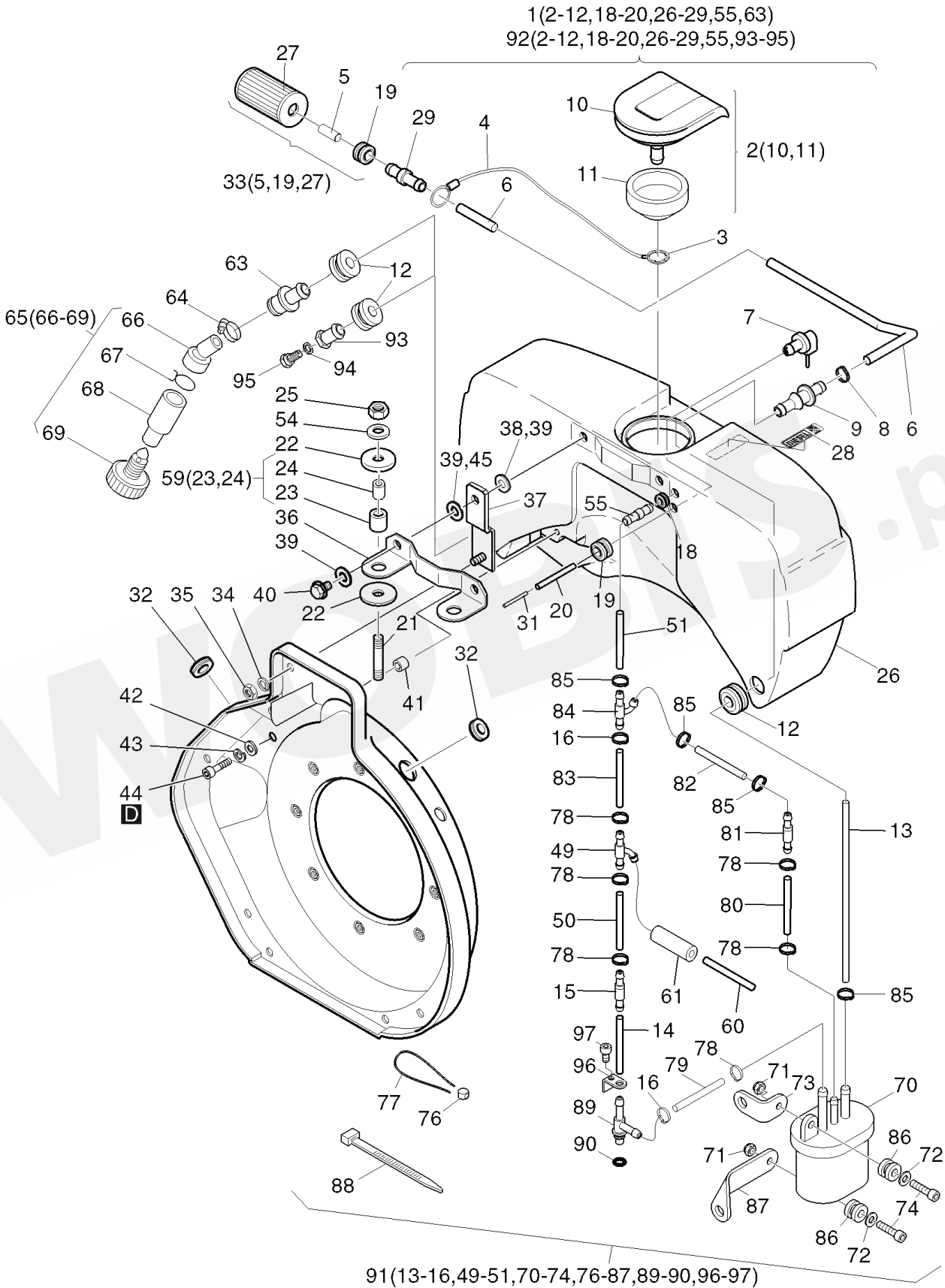
Z01b Fuel

Pos.	Part no.	Description	Qty.	Parts return	Notice	Add. notice	kg	dDPW	List price
1	000001703200	TANK 5L EXT.FILTER	1	●	5 l +WASSERABSCHEID		1,514		728,21
2	000001535302	CAP F. FUEL TANK	1	●	kpl. cpl.		0,100		36,13
3	_noorder	No single order	-	●					
4	000005086401	GASKET F. FUEL CAP	1	●			0,028		11,11
5	000001534900	FUEL VENT. VALVE	1	●			0,004		51,54
6	_noorder	No single order	-	●					
7	000050440800	RUBBER SLEEVE	2	●			0,004		9,05
8	000001794810	CONNECTING NIPPLE	1	●			0,054		54,16
9	000005130400	RUBBER SLEEVE	1	●			0,001		9,55
10	000005184400	CONNECTING NIPPLE	1	●			0,002		10,73
11	000050440901	RUBBER SLEEVE	1	●			0,001		7,86
12	000005085601	BREATH.HOSE 1X3X100	1	●	1 x 3 x 100		0,003		9,55
13	000005172300	CONNECTING NIPPLE	1	●	F. WASSERABSCH.		0,039		15,29
14	000050448000	CLAMP	1	●			0,008		9,42
15	000001519402	WATER SEPARATOR	1	●			0,025		64,02
16	000005044001	HOSE 20/12 MM	1	●			0,003		17,72
17	000005036900	HOSE CLIP	1	●			0,003		7,80
18	000005043901	WATER SEPARATOR	1	●			0,012		19,91
19	000050414800	CLOS. SCREW M 10	1	●	M 10		0,007		12,29
20	000040028400	HEX.NUT M 8	2	●	VM 8 DIN 980-8 C3A		0,008		2,37
21	000050148100	FLAT WASHER 8,4	2	●	8,4 DIN 125-St A3C		0,002		0,50
22	000005109810	DISC 8,20X22X2	4	●	8,2 x 22 x 2		0,001		3,12
23	_noorder	No single order	-	●					
24	000005122800	INSULATING SLEEVE	2	●			0,001		9,73

Pos.	Part no.	Description	Qty.	Parts return	Notice	Add. notice	kg	dDPW	List price
25	000001655800	INSULATING TUBE	2	●			0,005		19,72
26	000005122300	SUPPORT	1	●			0,060		19,84
27	000005110010	DISC 7,1X17,9X2	4	●	7,1 x 17,9 x 2		0,001		1,87
28	000001677100	HEXSCREW M6X20	2	●	M 6 x 20		0,008		5,05
29	000050231900	STUD M 8X 25	2	●	M 8 x 25 DIN 835-8.8 A3C		0,012		3,37
30	000001331300	SUPPORT	2	●			0,018		11,04
31	000050114300	DISC 6,4	2	●	6,4 x 17 x 3 DIN 7349 A3C		0,005		1,06
32	_nopart	Not in this engine	-	●					
33	_nopart	Not in this engine	-	●					
34	000050170900	SPRING WASHER 6	2	●	6 DIN 128 - A3C		0,001		0,50
35	000050144400	HEXAGON NUT M 6	2	●	M 6 DIN 934 - 8 A3C		0,002		1,31
36	_nopart	Not in this engine	-	●					
37	000050144500	FLAT WASHER 6,4	4	●	6,4 DIN 125-St A3C		0,001		0,50
38	000050170900	SPRING WASHER 6	4	●	6 DIN 128 - A3C		0,001		0,50
39	000050149100	ALLEN SCREW M 6X 12	4	●	M 6 x 12 DIN 912-8.8A3C		0,005		1,19
40	000005085500	TUBE 2X0,3X 16	1	●	2 x 0,3 x 16		0,001		3,87
41	000004060410	FUEL HOSE 5,0 X 100	1	●	5 x 100		0,008		6,74
42	000050570900	CLAMP 12,8	3	●	12,8		0,003		8,05
43	000005175602	HOSE NIPPLE T	1	●			0,002		
44	000005213010	INSUL.HOSE 25MM	1	●	7 x 25		0,005		1,06
45	000004282000	HOSE 2,5X245	1	●	2,5 x 245		0,005		15,60
46	000003807110	FUEL HOSE 5,0X 150	1	●	5 x 150		0,015		8,17
47	000000805502	VENT VALVE	1	●			0,004		14,04
48	000005366400	FUEL PIPE 6 X 40	1	●	6 x 12 x 40mm		0,005		6,12

Pos.	Part no.	Description	Qty.	Parts return	Notice	Add. notice	kg	dDPW	List price
49	000005188310	FUEL PIPE 3,5X 170	1	●	3,5 x 170 mm		0,016		9,17
50	000005306800	CONNECTING NIPPLE	1	●			0,003		16,54
51	000005116600	FUEL HOSE 7 X 260	1	●	7 x 260		0,037		18,78
52	000005323900	FUEL HOSE 7 X 50	1	●	7 x 50		0,007		5,12
53	000050144400	HEXAGON NUT M 6	1	●	M 6 DIN 934 - 8 A3C		0,002		1,31
54	000050170900	SPRING WASHER 6	1	●	6 DIN 128 - A3C		0,001		0,50
55	000050144500	FLAT WASHER 6,4	1	●	6,4 DIN 125-St A3C		0,001		0,50
56	000003543900	SUPPORT	1	●			0,010		8,17
57	000050158400	PIPE CLIP 14/15	1	●	14 / 15		0,012		8,92
58	000004139000	SPAC.TUBE 6,5X12X18	1	●	6,5 x 12 x 18		0,004		8,74
59	000050158400	PIPE CLIP 14/15	1	●	14 / 15		0,012		8,92
60	000050182700	ALL.SCR.M 6X 40	1	●	M 6 x 40 DIN 912-8.8A3C		0,011		1,56
61	000003210602	SPRING	1	●			0,003		3,93
62	000050478800	FUEL FILTER 7MY	1	●	Filter > -6°C		0,053		31,01
62	000040089401	FUEL FILT.(-6C/21F)	1	●	Filter < -6°C (10MY)		0,051		31,51
63	000050358400	STRAP	2	●	4,8 x 200 mm Black SCHWARZ		0,001		0,75
64	000001813200	TANK 5L EXT.FILTER	1	●	5l		1,509		740,06
65	000005188200	CONNECTING NIPPLE	1	●			0,003		15,35
66	000050313100	JOINT A 6 X10	1	●	A 6 x 10 DIN 7603-Cu.		0,001		0,50
67	000003613600	VENT SCREW M 6	1	●	M 6 A3C		0,005		14,10
68	000005235602	STICKER DIESEL	1	●	"DIESEL"		0,001		2,43
69	000001756800	NIPPLE	1	●			0,010		39,62
70	000050154300	O-RING 7,5X10,5X1,5	1	●	7,5 x 1,5		0,001	D1	2,62
71	000002298700	FUEL PIPE	1	●			0,080		112,94

CD-ID: 004M2



1 B 30.25

Z01c Fuel

Pos.	Part no.	Description	Qty.	Parts return	Notice	Add. notice	kg	dDPW	List price
1	000001666710	FUEL TANK 5L	1	●	5 l für Wasserabscheider +WASSERABSCHIED		1,528		700,25
2	000001535302	CAP F. FUEL TANK	1	●	kpl. cpl.		0,100		36,13
3	000050500800	CIRCLIP 8	1	●	8 DIN 6799		0,004		0,87
4	000001628900	ROPE	1	●	~440mm		0,003		2,62
5	_noorder	No single order	-	●					
6	000005311000	FUEL HOSE 3,5X300	1	●	3,5 x 300		0,013		9,55
7	000001534900	FUEL VENT. VALVE	1	●			0,004		51,54
8	000050399801	CLAMP 11,3	1	●	11,3		0,002		7,68
9	000005084010	CONNECTING NIPPLE	1	●			0,006		25,52
10	_noorder	No single order	-	●					
11	000005086401	GASKET F. FUEL CAP	1	●			0,028		11,11
12	000050440800	RUBBER SLEEVE	2	●			0,004		9,05
13	000005347600	FUEL HOSE 3,5X 215	1	●	3,5 x 215 RME		0,020		31,57
14	000005366400	FUEL PIPE 6 X 40	1	●	6 x 12 x 40mm		0,005		6,12
15	000001534601	FUEL VENTG.VALVE	1	●			0,002		19,34
16	000050590000	CLAMP 12,0	2	●	12,0		0,002		8,99
18	000005130400	RUBBER SLEEVE	1	●			0,001		9,55
19	000050440901	RUBBER SLEEVE	2	●			0,001		7,86
20	000005085601	BREATH.HOSE 1X3X100	1	●	1 x 3 x 100		0,003		9,55
21	000050231900	STUD M 8X 25	2	●	M 8 x 25 DIN 835-8.8 A3C		0,012		3,37
22	000005109810	DISC 8,20X22X2	4	●	8,2 x 22 x 2		0,001		3,12
23	_noorder	No single order	-	●					
24	000005122800	INSULATING SLEEVE	2	●			0,001		9,73
25	000040028400	HEX.NUT M 8	2	●	VM 8 DIN 980-8 C3A		0,008		2,37

Pos.	Part no.	Description	Qty.	Parts return	Notice	Add. notice	kg	dDPW	List price
26	_noorder	No single order	-	●					
27	_noorder	No single order	-	●					
28	000005235602	STICKER DIESEL	1	●	"DIESEL"		0,001		2,43
29	000005189001	CONNECTING NIPPLE	1	●			0,003		17,16
31	000005085500	TUBE 2X0,3X 16	1	●	2 x 0,3 x 16		0,001		3,87
32	_noorder	No single order	-	●					
33	000001635210	FUEL FILTER	1	●			0,015	W2	20,78
34	000050170900	SPRING WASHER 6	2	●	6 DIN 128 - A3C		0,001		0,50
35	000050144400	HEXAGON NUT M 6	2	●	M 6 DIN 934 - 8 A3C		0,002		1,31
36	000005122300	SUPPORT	1	●			0,060		19,84
37	000001331300	SUPPORT	2	●			0,018		11,04
38	_noorder	No single order	-	●					
39	000005110010	DISC 7,1X17,9X2	4	●	7,1 x 17,9 x 2		0,001		1,87
40	000001677100	HEXSCREW M6X20	2	●	M 6 x 20		0,008		5,05
41	_nopart	Not in this engine	0	●					
42	000050144500	FLAT WASHER 6,4	4	●	6,4 DIN 125-St A3C		0,001		0,50
43	000050170900	SPRING WASHER 6	4	●	6 DIN 128 - A3C		0,001		0,50
44	000050149100	ALLEN SCREW M 6X 12	4	●	M 6 x 12 DIN 912-8.8A3C		0,005		1,19
45	000050114300	DISC 6,4	2	●	6,4 x 17 x 3 DIN 7349 A3C		0,005		1,06
49	000005175602	HOSE NIPPLE T	1	●			0,002		
50	000003807110	FUEL HOSE 5,0X 150	1	●	5 x 150		0,015		8,17
51	000005306900	FUEL HOSE 5,0 X 40	1	●	5 x 40 part was replaced by FUEL HOSE 5,0 X 40 000003663800		0,003		
51	000003663800	FUEL HOSE 5,0 X 40	1	●	5 x 40 mm	Old Identno: 000005306900	0,002		2,37

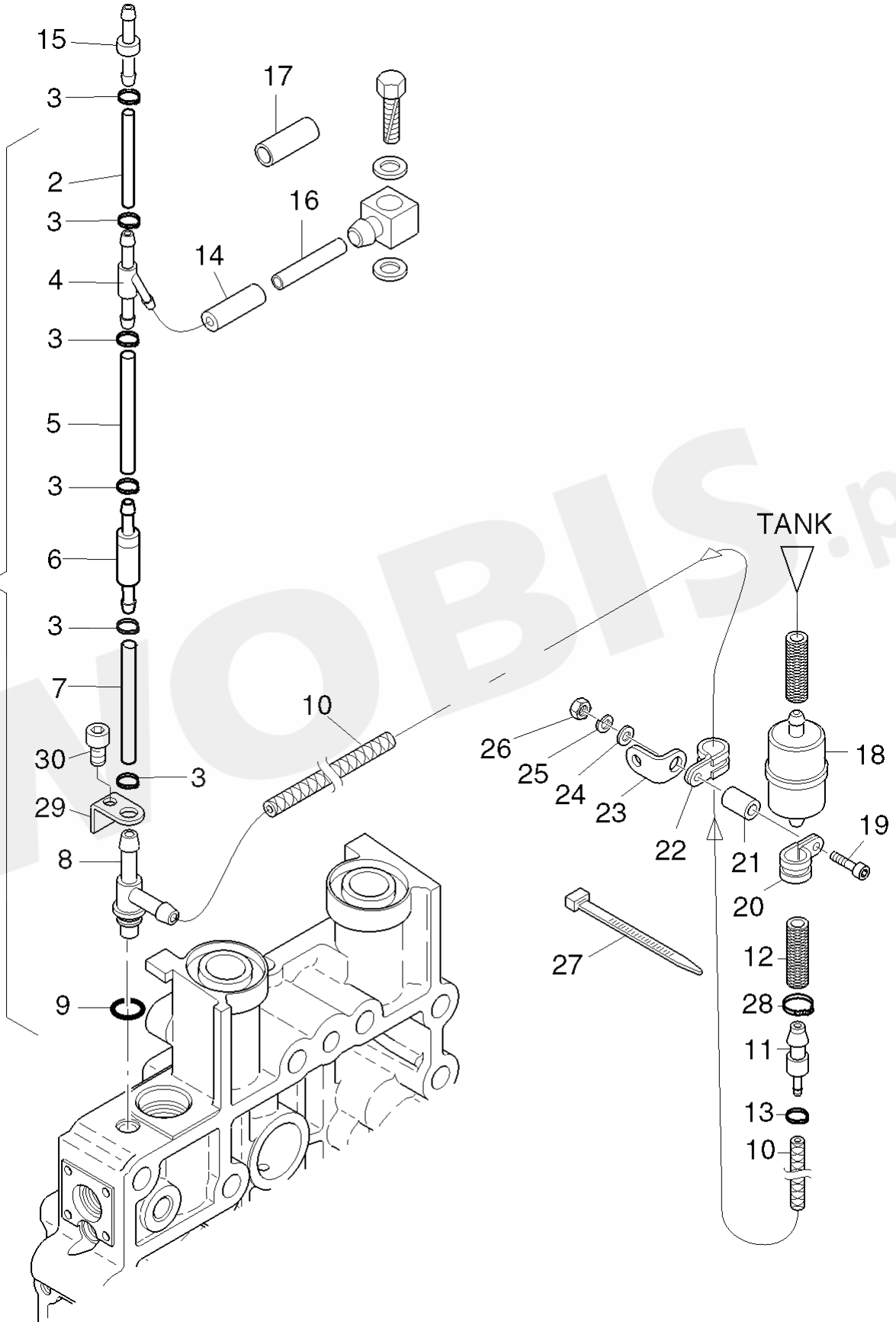
Pos.	Part no.	Description	Qty.	Parts return	Notice	Add. notice	kg	dDPW	List price
54	000050148100	FLAT WASHER 8,4	2	●	8,4 DIN 125-St A3C		0,002		0,50
55	000005184400	CONNECTING NIPPLE	1	●			0,002		10,73
59	000001655800	INSULATING TUBE	2	●			0,005		19,72
60	000004282000	HOSE 2,5X245	1	●	2,5 x 245		0,005		15,60
61	000005213010	INSUL.HOSE 25MM	1	●	7 x 25		0,005		1,06
63	000005172300	CONNECTING NIPPLE	1	●	F. WASSERABSCH.		0,039		15,29
64	000050448000	CLAMP	1	●			0,008		9,42
65	000001519402	WATER SEPARATOR	1	●			0,025		64,02
66	000005044001	HOSE 20/12 MM	1	●			0,003		17,72
67	000005036900	HOSE CLIP	1	●			0,003		7,80
68	000005043901	WATER SEPARATOR	1	●			0,012		19,91
69	000050414800	CLOS. SCREW M 10	1	●	M 10		0,007		12,29
70	000001919701	FUEL FILT.EXT.MOUNT	1	●			0,034		86,55
71	000050501600	HEX.NUT M 4	2	●	M 4 DIN 985 - 6 Zn		0,001		0,50
72	000050441600	WASHER 4,3	2	●	4,3 DIN 9021 - A3C 140HV		0,001		0,50
73	000005279500	SUPPORT	1	●			0,008		13,54
74	000050446900	ALL.SCR. M 4 X 16	2	●	M 4 x 16 DIN 912-8.8 A3C Tuf. FLEC		0,002		1,62
76	000040021400	LEAD SEAL 8 MM	1	●	8 mm ø		0,001		0,50
77	000040021500	SEAL WIRE 0,5-0,3	1	●	0,5 / 0,3 x 200		0,001		0,50
78	000050570900	CLAMP 12,8	6	●	12,8		0,003		8,05
79	000005283910	FUEL PIPE 5,0X285	1	●	5 x 285		0,029		12,17
80	000005283910	FUEL PIPE 5,0X285	1	●	5 x 285		0,029		12,17
81	000000805502	VENT VALVE	1	●			0,004		14,04
82	000003663710	FUEL HOSE 5,0 X 50	1	●	5 x 50 mm		0,005		3,06

CD-ID: 004M2

1 B 30.25

Z01d Fuel

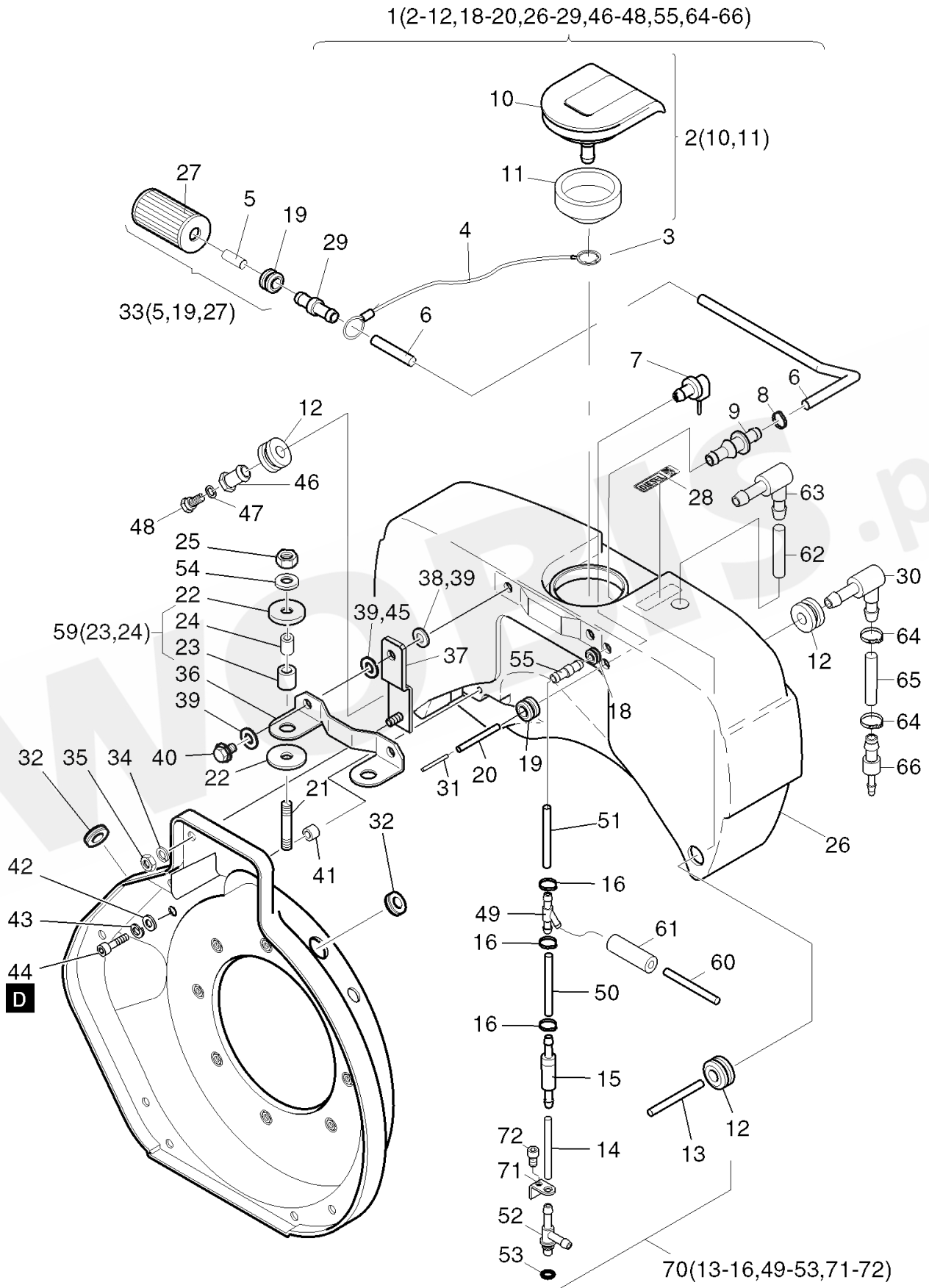
1(2-13,29-30)



Pos.	Part no.	Description	Qty.	Parts return	Notice	Add. notice	kg	dDPW	List price
1	000002299000	FUEL PIPE	1	●			0,120		149,88
2	000004060410	FUEL HOSE 5,0 X 100	1	●	5 x 100		0,008		6,74
3	000050570900	CLAMP 12,8	5	●	12,8		0,003		8,05
4	000005175602	HOSE NIPPLE T	1	●			0,002		
5	000003807110	FUEL HOSE 5,0X 150	1	●	5 x 150		0,015		8,17
6	000000805502	VENT VALVE	1	●			0,004		14,04
7	000005123200	FUEL HOSE 3,5 / 40	1	●	3,5 x 40		0,004		9,17
8	000001756800	NIPPLE	1	●			0,010		39,62
9	000050154300	O-RING 7,5X10,5X1,5	1	●	7,5 x 1,5		0,001		2,62
10	000005220710	FUEL PIPE	1	●	3,5 x 430		0,040		16,16
11	000005306800	CONNECTING NIPPLE	1	●			0,003		16,54
12	000005323900	FUEL HOSE 7 X 50	1	●	7 x 50		0,007		5,12
13	000050399801	CLAMP 11,3	1	●	11,3		0,002		7,68
14	000005366400	FUEL PIPE 6 X 40	1	●	6 x 12 x 40mm		0,005		6,12
15	000050279600	CONNECTING NIPPLE	1	●			0,006		19,59
16	000004282000	HOSE 2,5X245	1	●	2,5 x 245		0,005		15,60
17	000005267900	INSUL.HOSE 120MM	1	●	120 mm part was replaced by INSUL.HOSE 185MM 000005267901		0,005		
17	000005267901	INSUL.HOSE 185MM	1	●	185 mm	Old Identno: 000005267900	0,014		3,06
18	000050478800	FUEL FILTER 7MY	1	●	Filter > -6°C		0,053		31,01
18	000040089401	FUEL FILT.(-6C/21F)	1	●	Filter < -6°C (10MY)		0,051		31,51
19	000050323900	ALL.SCR.M 6X 30	1	●	M 6 x 30 DIN 912-8.8A3C		0,009		2,37
20	000050158400	PIPE CLIP 14/15	1	●	14 / 15		0,012		8,92
21	000005132700	BUSH 6,5X17X11,5	1	●	6,5 x 17 x 11,5		0,006		7,18

Pos.	Part no.	Description	Qty.	Parts return	Notice	Add. notice	kg	dDPW	List price
22	000050173500	PIPE CLIP 10/15	1	●	10 / 15		0,010		7,18
23	000003543900	SUPPORT	1	●			0,010		8,17
24	000050144500	FLAT WASHER 6,4	1	●	6,4 DIN 125-St A3C		0,001		0,50
25	000050170900	SPRING WASHER 6	1	●	6 DIN 128 - A3C		0,001		0,50
26	000050144400	HEXAGON NUT M 6	1	●	M 6 DIN 934 - 8 A3C		0,002		1,31
27	000050358400	STRAP	1	●	4,8 x 200 mm Black SCHWARZ		0,001		0,75
28	000050523800	CLAMP 16,0	1	●	16,0		0,004		9,98
29	000005390700	SUPPORT	1	●			0,005		
30	000050547000	ALL.SCR. M 5X 25	1	●	M 5 x 25 DIN 912 - 8.8 A3C Tuf. LOC		0,005		1,75

CD-ID: 004M2



1 B 30.25

Z01e Fuel

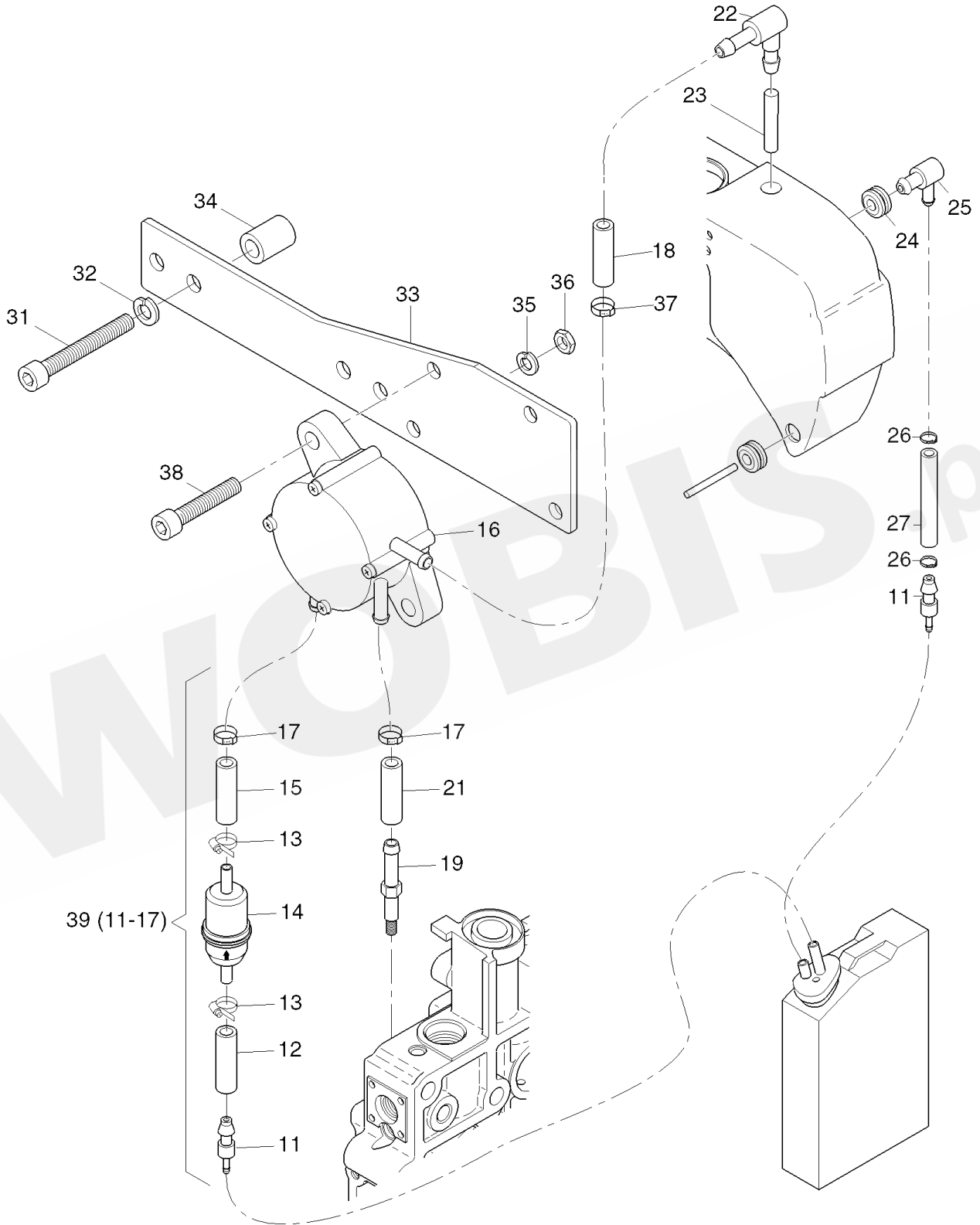
Pos.	Part no.	Description	Qty.	Parts return	Notice	Add. notice	kg	dDPW	List price
1	000001612021	FUEL TANK 5L F. FP.	1	●	5l		1,650		828,36
2	000001535302	CAP F. FUEL TANK	1	●	kpl. cpl.		0,100		36,13
3	000050500800	CIRCLIP 8	1	●	8 DIN 6799		0,004		0,87
4	000001628900	ROPE	1	●	~440mm		0,003		2,62
5	_noorder	No single order	-	●					
6	000005311000	FUEL HOSE 3,5X300	1	●	3,5 x 300		0,013		9,55
7	000001534900	FUEL VENT. VALVE	1	●			0,004		51,54
8	000050399801	CLAMP 11,3	1	●	11,3		0,002		7,68
9	000005084010	CONNECTING NIPPLE	1	●			0,006		25,52
10	_noorder	No single order	-	●					
11	000005086401	GASKET F. FUEL CAP	1	●			0,028		11,11
12	000050440800	RUBBER SLEEVE	2	●			0,004		9,05
13	000005188310	FUEL PIPE 3,5X 170	1	●	3,5 x 170 mm		0,016		9,17
14	000005366400	FUEL PIPE 6 X 40	1	●	6 x 12 x 40mm		0,005		6,12
15	000000805502	VENT VALVE	1	●			0,004		14,04
16	000050570900	CLAMP 12,8	3	●	12,8		0,003		8,05
18	000005130400	RUBBER SLEEVE	1	●			0,001		9,55
19	000050440901	RUBBER SLEEVE	2	●			0,001		7,86
20	000005085601	BREATH.HOSE 1X3X100	1	●	1 x 3 x 100		0,003		9,55
21	000050231900	STUD M 8X 25	2	●	M 8 x 25 DIN 835-8.8 A3C		0,012		3,37
22	000005109810	DISC 8,20X22X2	4	●	8,2 x 22 x 2		0,001		3,12
23	_noorder	No single order	-	●					
24	000005122800	INSULATING SLEEVE	2	●			0,001		9,73
25	000040028400	HEX.NUT M 8	2	●	VM 8 DIN 980-8 C3A		0,008		2,37

Pos.	Part no.	Description	Qty.	Parts return	Notice	Add. notice	kg	dDPW	List price
26	_noorder	No single order	-	●					
27	_noorder	No single order	-	●					
28	000005235602	STICKER DIESEL	1	●	"DIESEL"		0,001		2,43
29	000005189001	CONNECTING NIPPLE	1	●			0,003		17,16
30	000001684020	CONNECTING NIPPLE	1	●			0,031		54,16
31	000005085500	TUBE 2X0,3X 16	1	●	2 x 0,3 x 16		0,001		3,87
32	_noorder	No single order	-	●					
33	000001635210	FUEL FILTER	1	●			0,015	W2	20,78
34	000050170900	SPRING WASHER 6	2	●	6 DIN 128 - A3C		0,001		0,50
35	000050144400	HEXAGON NUT M 6	2	●	M 6 DIN 934 - 8 A3C		0,002		1,31
36	000005122300	SUPPORT	1	●			0,060		19,84
37	000001331300	SUPPORT	2	●			0,018		11,04
38	_noorder	No single order	-	●					
39	000005110010	DISC 7,1X17,9X2	4	●	7,1 x 17,9 x 2		0,001		1,87
40	000001677100	HEXSCREW M6X20	2	●	M 6 x 20		0,008		5,05
41	_nopart	Not in this engine	0	●					
42	000050144500	FLAT WASHER 6,4	4	●	6,4 DIN 125-St A3C		0,001		0,50
43	000050170900	SPRING WASHER 6	4	●	6 DIN 128 - A3C		0,001		0,50
44	000050149100	ALLEN SCREW M 6X 12	4	●	M 6 x 12 DIN 912-8.8A3C		0,005		1,19
45	000050114300	DISC 6,4	2	●	6,4 x 17 x 3 DIN 7349 A3C		0,005		1,06
46	000005235700	CONNECTING NIPPLE	1	●			0,004		16,85
47	000050313100	JOINT A 6 X10	1	●	A 6 x 10 DIN 7603-Cu.		0,001		0,50
48	000003613600	VENT SCREW M 6	1	●	M 6 A3C		0,005		14,10
49	000005175602	HOSE NIPPLE T	1	●			0,002		

Pos.	Part no.	Description	Qty.	Parts return	Notice	Add. notice	kg	dDPW	List price
50	000003807110	FUEL HOSE 5,0X 150	1	●	5 x 150		0,015		8,17
51	000005136810	FUEL HOSE 5,0 X 90	1	●	5 x 90		0,009		6,30
52	000001756800	NIPPLE	1	●			0,010		39,62
53	000050154300	O-RING 7,5X10,5X1,5	1	●	7,5 x 1,5		0,001	D1	2,62
54	000050148100	FLAT WASHER 8,4	2	●	8,4 DIN 125-St A3C		0,002		0,50
55	000005184400	CONNECTING NIPPLE	1	●			0,002		10,73
59	000001655800	INSULATING TUBE	2	●			0,005		19,72
60	000004282000	HOSE 2,5X245	1	●	2,5 x 245		0,005		15,60
61	000005213010	INSUL.HOSE 25MM	1	●	7 x 25		0,005		1,06
62	000005251800	HOSE 20MM	1	●	20mm		0,002		1,06
63	000050537700	ANGULAR CONNECTION	1	●	WS 6		0,002		10,30
64	000050523800	CLAMP 16,0	2	●	16,0		0,004		9,98
65	000003701410	FUEL HOSE 7X 100	1	●	7 x 100		0,014		7,74
66	000004240400	GASK.F.CYL.H. 1,25	1	●	1,25 mm		0,025		26,96
70	000002298700	FUEL PIPE	1	●			0,080		112,94
71	000005390700	SUPPORT	1	●			0,005		
72	000050547000	ALL.SCR. M 5X 25	1	●	M 5 x 25 DIN 912 - 8.8 A3C Tuf. LOC		0,005		1,75
D	000050223300	LOCTITE 221	1	●	50 ML		0,077		103,02

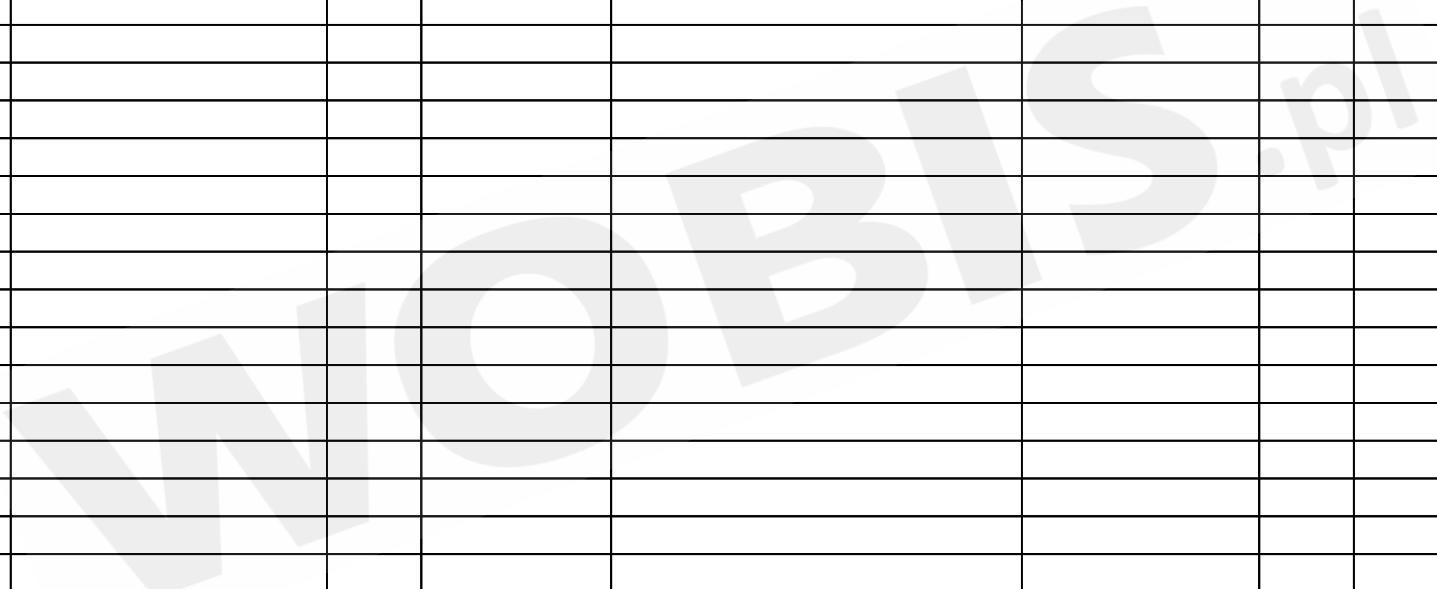
CD-ID: 004M2

Z01f Fuel feed pump 1 B 30.25

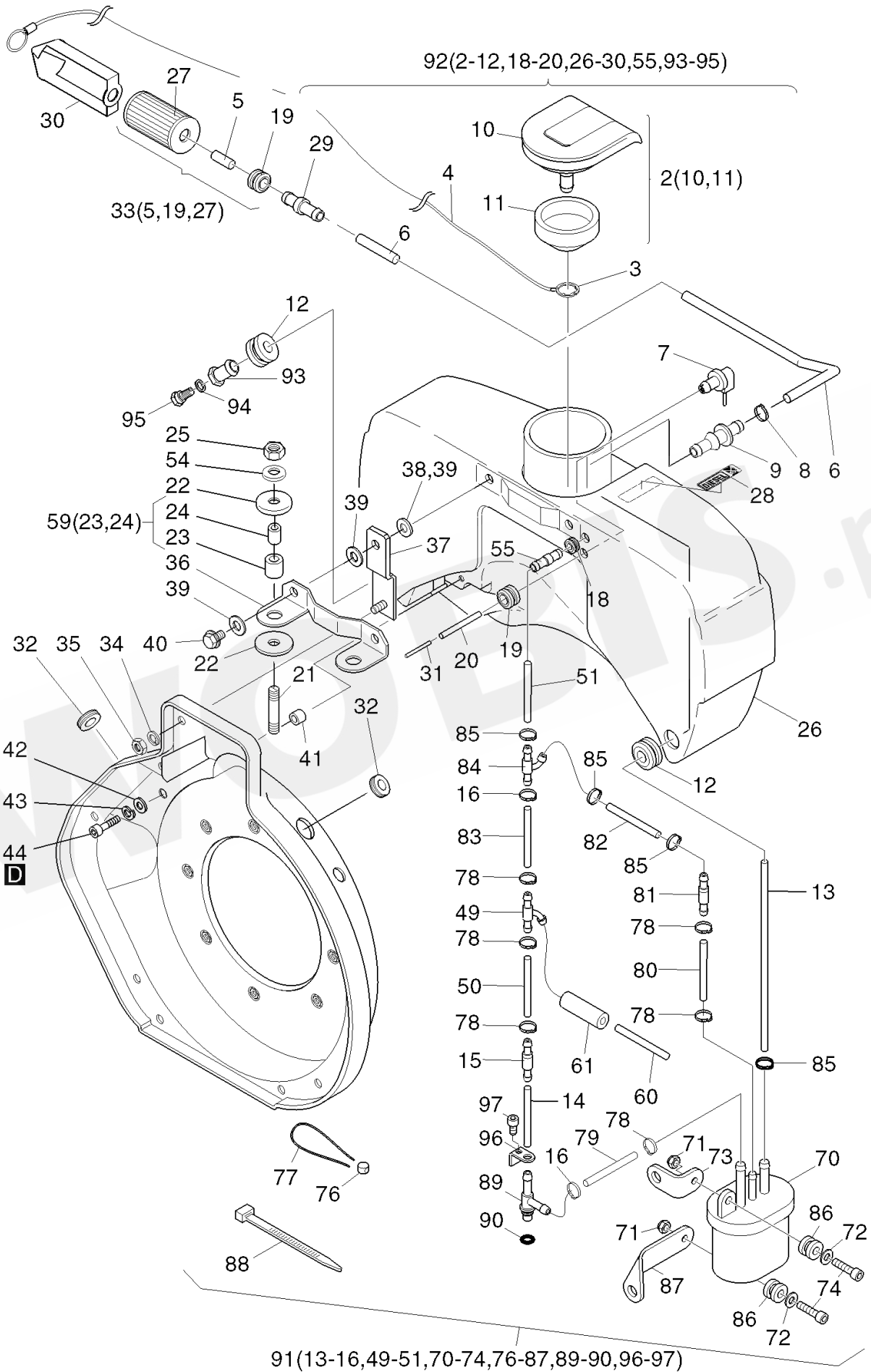


Pos.	Part no.	Description	Qty.	Parts return	Notice	Add. notice	kg	dDPW	List price
11	000005240400	NIPPLE	2	●			0,048		10,30
12	000003493110	FUEL HOSE 7 X 60	1	●	7 x 60		0,008		5,30
13	000040026100	CLAMP 10-16	2	●	10-16		0,007		9,55
14	000050317000	PRE FUEL FILTER	1	●	Vorfilter, prefilter		0,016		14,85
15	000005090010	FUEL HOSE 7 X 120	1	●	7 x 120		0,017		9,17
16	000005395000	PULSATOR PUMP	1	●			0,070		141,71
17	000050523800	CLAMP 16,0	2	●	16,0		0,004		9,98
18	000005347100	FUEL PIPE 5,3X300	1	●	5,3 x 300		0,031		49,11
19	000005243201	CONNECTING NIPPLE	1	●			0,016		45,55
21	000003701410	FUEL HOSE 7X 100	1	●	7 x 100		0,014		7,74
22	000050537700	ANGULAR CONNECTION	1	●	WS 6		0,002		10,30
23	000005251800	HOSE 20MM	1	●	20mm		0,002		1,06
24	000050440800	RUBBER SLEEVE	1	●			0,004		9,05
25	000001684020	CONNECTING NIPPLE	1	●			0,031		54,16
26	000050523800	CLAMP 16,0	2	●	16,0		0,004		9,98
27	000003701410	FUEL HOSE 7X 100	1	●	7 x 100		0,014		7,74
31	000050374900	ALL.SCR.M 6X35	2	●	M 6 x 35 DIN 912-8.8A3C		0,010		2,12
32	000050170900	SPRING WASHER 6	2	●	6 DIN 128 - A3C		0,001		0,50
33	000005242110	CONSOLE	1	●			0,198		56,60
34	000004098400	SPAC.TUBE 7X12X16,3	2	●	7 x 12 x 16,3		0,004		8,49
35	000050081200	SPRING WASHER A 6	2	●	A 6 DIN 137 - A3C		0,001		0,50
36	000050328300	HEXAGON NUT VM6	2	●	VM 6 DIN 980-8 A3C		0,002		1,50
37	000050511201	CLAMP 14,5	1	●	14,5		0,003		11,67
38	000050170600	ALL.SCR.M 6X 20	2	●	M 6 x 20 DIN 912-8.8A3C		0,007		1,81

Pos.	Part no.	Description	Qty.	Parts return	Notice	Add. notice	kg	dDPW	List price
39	000001925410	PULSATOR PUMP	1	●			0,181		220,15



CD-ID: 004M2



1 B 30.25

Z01g Fuel

Pos.	Part no.	Description	Qty.	Parts return	Notice	Add. notice	kg	dDPW	List price
2	000001535302	CAP F. FUEL TANK	1	●	kpl. cpl.		0,100		36,13
3	000050500800	CIRCLIP 8	1	●	8 DIN 6799		0,004		0,87
4	000001628900	ROPE	1	●	~440mm		0,003		2,62
5	_noorder	No single order	-	●					
6	000005311000	FUEL HOSE 3,5X300	1	●	3,5 x 300		0,013		9,55
7	000001534900	FUEL VENT. VALVE	1	●			0,004		51,54
8	000050399801	CLAMP 11,3	1	●	11,3		0,002		7,68
9	000005084010	CONNECTING NIPPLE	1	●			0,006		25,52
10	_noorder	No single order	-	●					
11	000005086401	GASKET F. FUEL CAP	1	●			0,028		11,11
12	000050440800	RUBBER SLEEVE	2	●			0,004		9,05
13	000005347600	FUEL HOSE 3,5X 215	1	●	3,5 x 215 RME		0,020		31,57
14	000005366400	FUEL PIPE 6 X 40	1	●	6 x 12 x 40mm		0,005		6,12
15	000001534601	FUEL VENTG.VALVE	1	●			0,002		19,34
16	000050590000	CLAMP 12,0	2	●	12,0		0,002		8,99
18	000005130400	RUBBER SLEEVE	1	●			0,001		9,55
19	000050440901	RUBBER SLEEVE	2	●			0,001		7,86
20	000005085601	BREATH.HOSE 1X3X100	1	●	1 x 3 x 100		0,003		9,55
21	000050231900	STUD M 8X 25	2	●	M 8 x 25 DIN 835-8.8 A3C		0,012		3,37
22	000005109810	DISC 8,20X22X2	4	●	8,2 x 22 x 2		0,001		3,12
23	_noorder	No single order	-	●					
24	000005122800	INSULATING SLEEVE	2	●			0,001		9,73
25	000040028400	HEX.NUT M 8	2	●	VM 8 DIN 980-8 C3A		0,008		2,37
26	_noorder	No single order	-	●					

Pos.	Part no.	Description	Qty.	Parts return	Notice	Add. notice	kg	dDPW	List price
27	_noorder	No single order	-	●					
28	000005235602	STICKER DIESEL	1	●	"DIESEL"		0,001		2,43
29	000005189001	CONNECTING NIPPLE	1	●			0,003		17,16
30	000005253400	SUPPORT FUEL FILTER	1	●			0,008		7,30
31	000005085500	TUBE 2X0,3X 16	1	●	2 x 0,3 x 16		0,001		3,87
32	_noorder	No single order	-	●					
33	000001635210	FUEL FILTER	1	●			0,015	W2	20,78
34	000050170900	SPRING WASHER 6	2	●	6 DIN 128 - A3C		0,001		0,50
35	000050144400	HEXAGON NUT M 6	2	●	M 6 DIN 934 - 8 A3C		0,002		1,31
36	000005122300	SUPPORT	1	●			0,060		19,84
37	000001331300	SUPPORT	2	●			0,018		11,04
38	_noorder	No single order	-	●					
39	000005110010	DISC 7,1X17,9X2	4	●	7,1 x 17,9 x 2		0,001		1,87
40	000001677100	HEXSCREW M6X20	2	●	M 6 x 20		0,008		5,05
41	_nopart	Not in this engine	0	●					
42	000050144500	FLAT WASHER 6,4	4	●	6,4 DIN 125-St A3C		0,001		0,50
43	000050170900	SPRING WASHER 6	4	●	6 DIN 128 - A3C		0,001		0,50
44	000050149100	ALLEN SCREW M 6X 12	4	●	M 6 x 12 DIN 912-8.8A3C		0,005		1,19
49	000005175602	HOSE NIPPLE T	1	●			0,002		
50	000003807110	FUEL HOSE 5,0X 150	1	●	5 x 150		0,015		8,17
51	000005306900	FUEL HOSE 5,0 X 40	1	●	5 x 40 part was replaced by FUEL HOSE 5,0 X 40 000003663800		0,003		
51	000003663800	FUEL HOSE 5,0 X 40	1	●	5 x 40 mm	Old Identno: 000005306900	0,002		2,37
54	000050148100	FLAT WASHER 8,4	2	●	8,4 DIN 125-St A3C		0,002		0,50

Pos.	Part no.	Description	Qty.	Parts return	Notice	Add. notice	kg	dDPW	List price
55	000005184400	CONNECTING NIPPLE	1	●			0,002		10,73
59	000001655800	INSULATING TUBE	2	●			0,005		19,72
60	000004282000	HOSE 2,5X245	1	●	2,5 x 245		0,005		15,60
61	000005213010	INSUL.HOSE 25MM	1	●	7 x 25		0,005		1,06
70	000001919701	FUEL FILT.EXT.MOUNT	1	●			0,034		86,55
71	000050501600	HEX.NUT M 4	2	●	M 4 DIN 985 - 6 Zn		0,001		0,50
72	000050441600	WASHER 4,3	2	●	4,3 DIN 9021 - A3C 140HV		0,001		0,50
73	000005279500	SUPPORT	1	●			0,008		13,54
74	000050446900	ALL.SCR. M 4 X 16	2	●	M 4 x 16 DIN 912-8.8 A3C Tuf. FLEC		0,002		1,62
76	000040021400	LEAD SEAL 8 MM	1	●	8 mm ø		0,001		0,50
77	000040021500	SEAL WIRE 0,5-0,3	1	●	0,5 / 0,3 x 200		0,001		0,50
78	000050570900	CLAMP 12,8	6	●	12,8		0,003		8,05
79	000005283910	FUEL PIPE 5,0X285	1	●	5 x 285		0,029		12,17
80	000005283910	FUEL PIPE 5,0X285	1	●	5 x 285		0,029		12,17
81	000000805502	VENT VALVE	1	●			0,004		14,04
82	000003663710	FUEL HOSE 5,0 X 50	1	●	5 x 50 mm		0,005		3,06
83	000003663810	FUEL HOSE 5,0 X 40	1	●	5 x 40 mm		0,002		2,50
84	000005122701	HOSE NIPPLE T	1	●			0,002		8,49
85	000050399801	CLAMP 11,3	4	●	11,3		0,002		7,68
86	000050556600	RUBBER SLEEVE	2	●			0,001		2,00
87	000005279400	SUPPORT	1	●			0,017		4,87
88	000050358400	STRAP	2	●	4,8 x 200 mm Black SCHWARZ		0,001		0,75
89	000001756800	NIPPLE	1	●			0,010		39,62
90	000050154300	O-RING 7,5X10,5X1,5	1	●	7,5 x 1,5		0,001		2,62

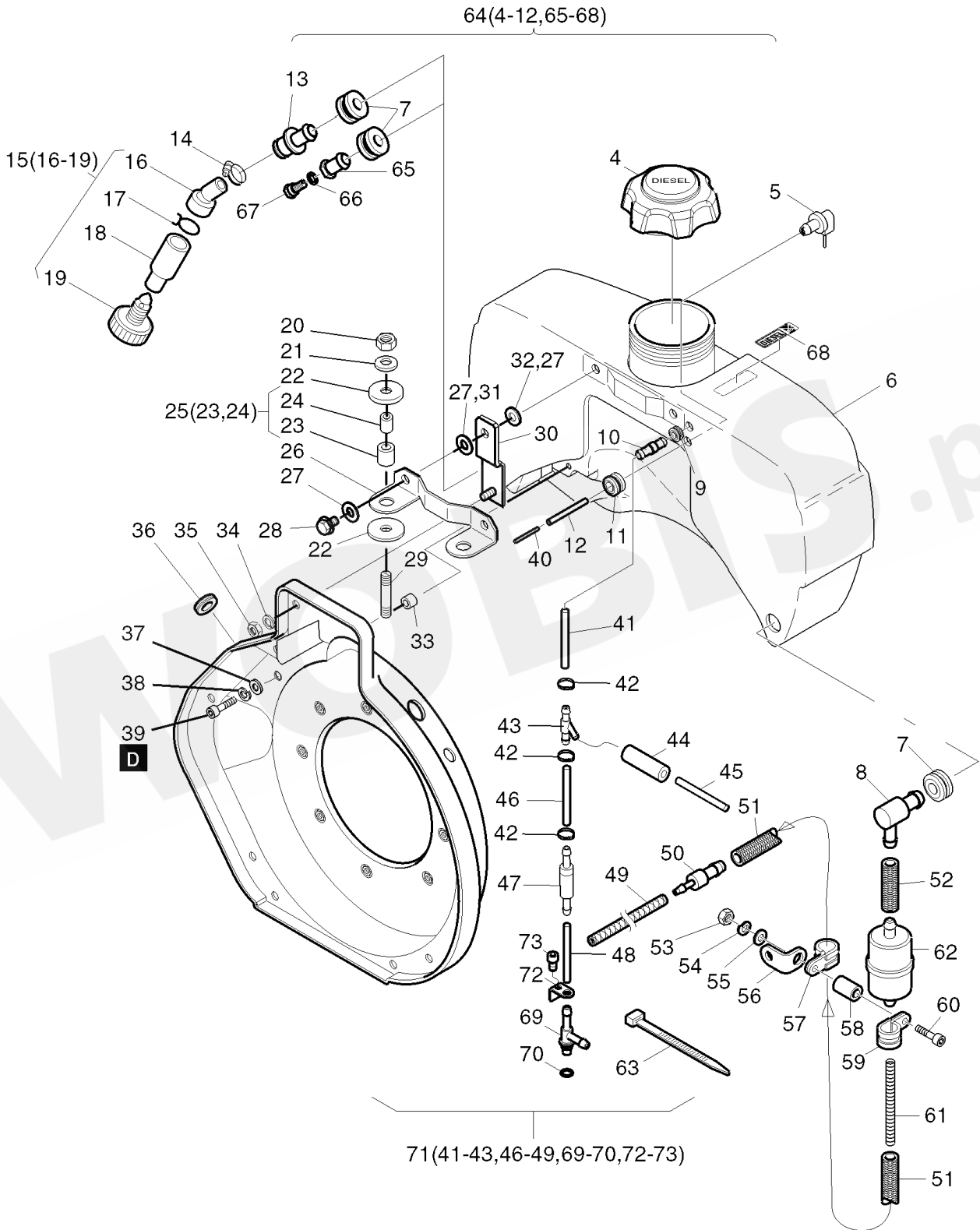
Z01g Fuel

1 B 30.25

CD-ID: 004M2

Pos.	Part no.	Description	Qty.	Parts return	Notice	Add. notice	kg	dDPW	List price
91	000002299300	FUEL PIPE	1	●	INCL. FILTER		0,241		368,41
92	000001790500	FUEL TANK 5L	1	●	5 l EINFUELLSTUTZEN		1,589		824,05
93	000005188200	CONNECTING NIPPLE	1	●			0,003		15,35
94	000050313100	JOINT A 6 X10	1	●	A 6 x 10 DIN 7603-Cu.		0,001		0,50
95	000003613600	VENT SCREW M 6	1	●	M 6 A3C		0,005		14,10
96	000005390700	SUPPORT	1	●			0,005		
97	000050547000	ALL.SCR. M 5X 25	1	●	M 5 x 25 DIN 912 - 8.8 A3C Tuf. LOC		0,005		1,75
D	000050223300	LOCTITE 221	1	●	50 ML		0,077		103,02

CD-ID: 004M2



1 B 30.25

Z01h Fuel

Pos.	Part no.	Description	Qty.	Parts return	Notice	Add. notice	kg	dDPW	List price
4	000001812902	CAP F. FUEL TANK	1	●			0,060		
5	000001534900	FUEL VENT. VALVE	1	●			0,004		51,54
6	_noorder	No single order	-	●					
7	000050440800	RUBBER SLEEVE	2	●			0,004		9,05
8	000001794810	CONNECTING NIPPLE	1	●			0,054		54,16
9	000005130400	RUBBER SLEEVE	1	●			0,001		9,55
10	000005184400	CONNECTING NIPPLE	1	●			0,002		10,73
11	000050440901	RUBBER SLEEVE	1	●			0,001		7,86
12	000005085601	BREATH.HOSE 1X3X100	1	●	1 x 3 x 100		0,003		9,55
13	000005172300	CONNECTING NIPPLE	1	●	F. WASSERABSCH.		0,039		15,29
14	000050448000	CLAMP	1	●			0,008		9,42
15	000001519402	WATER SEPARATOR	1	●			0,025		64,02
16	000005044001	HOSE 20/12 MM	1	●			0,003		17,72
17	000005036900	HOSE CLIP	1	●			0,003		7,80
18	000005043901	WATER SEPARATOR	1	●			0,012		19,91
19	000050414800	CLOS. SCREW M 10	1	●	M 10		0,007		12,29
20	000040028400	HEX.NUT M 8	2	●	VM 8 DIN 980-8 C3A		0,008		2,37
21	000050148100	FLAT WASHER 8,4	2	●	8,4 DIN 125-St A3C		0,002		0,50
22	000005109810	DISC 8,20X22X2	4	●	8,2 x 22 x 2		0,001		3,12
23	_noorder	No single order	-	●					
24	000005122800	INSULATING SLEEVE	2	●			0,001		9,73
25	000001655800	INSULATING TUBE	2	●			0,005		19,72
26	000005122300	SUPPORT	1	●			0,060		19,84
27	000005110010	DISC 7,1X17,9X2	4	●	7,1 x 17,9 x 2		0,001		1,87

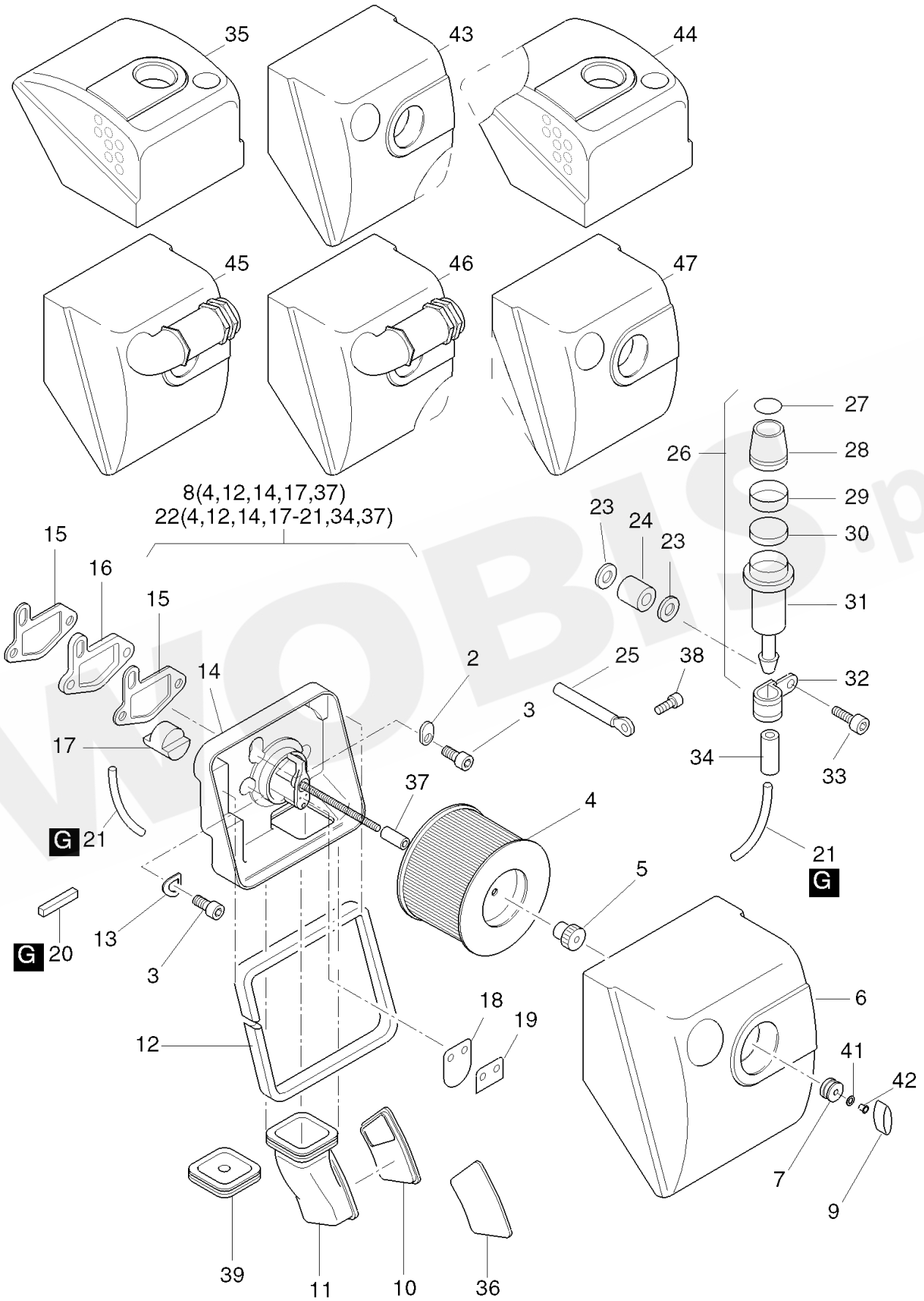
Pos.	Part no.	Description	Qty.	Parts return	Notice	Add. notice	kg	dDPW	List price
28	000001677100	HEXSCREW M6X20	2	●	M 6 x 20		0,008		5,05
29	000050231900	STUD M 8X 25	2	●	M 8 x 25 DIN 835-8.8 A3C		0,012		3,37
30	000001331300	SUPPORT	2	●			0,018		11,04
31	000050114300	DISC 6,4	2	●	6,4 x 17 x 3 DIN 7349 A3C		0,005		1,06
32	_nopart	Not in this engine	-	●					
33	_nopart	Not in this engine	-	●					
34	000050170900	SPRING WASHER 6	2	●	6 DIN 128 - A3C		0,001		0,50
35	000050144400	HEXAGON NUT M 6	2	●	M 6 DIN 934 - 8 A3C		0,002		1,31
36	_nopart	Not in this engine	-	●					
37	000050144500	FLAT WASHER 6,4	4	●	6,4 DIN 125-St A3C		0,001		0,50
38	000050170900	SPRING WASHER 6	4	●	6 DIN 128 - A3C		0,001		0,50
39	000050149100	ALLEN SCREW M 6X 12	4	●	M 6 x 12 DIN 912-8.8A3C		0,005		1,19
40	000005085500	TUBE 2X0,3X 16	1	●	2 x 0,3 x 16		0,001		3,87
41	000004060410	FUEL HOSE 5,0 X 100	1	●	5 x 100		0,008		6,74
42	000050570900	CLAMP 12,8	3	●	12,8		0,003		8,05
43	000005175602	HOSE NIPPLE T	1	●			0,002		
44	000005213010	INSUL.HOSE 25MM	1	●	7 x 25		0,005		1,06
45	000004282000	HOSE 2,5X245	1	●	2,5 x 245		0,005		15,60
46	000003807110	FUEL HOSE 5,0X 150	1	●	5 x 150		0,015		8,17
47	000000805502	VENT VALVE	1	●			0,004		14,04
48	000005366400	FUEL PIPE 6 X 40	1	●	6 x 12 x 40mm		0,005		6,12
49	000005188310	FUEL PIPE 3,5X 170	1	●	3,5 x 170 mm		0,016		9,17
50	000005306800	CONNECTING NIPPLE	1	●			0,003		16,54
51	000005116600	FUEL HOSE 7 X 260	1	●	7 x 260		0,037		18,78

Pos.	Part no.	Description	Qty.	Parts return	Notice	Add. notice	kg	dDPW	List price
52	000005323900	FUEL HOSE 7 X 50	1	●	7 x 50		0,007		5,12
53	000050144400	HEXAGON NUT M 6	1	●	M 6 DIN 934 - 8 A3C		0,002		1,31
54	000050170900	SPRING WASHER 6	1	●	6 DIN 128 - A3C		0,001		0,50
55	000050144500	FLAT WASHER 6,4	1	●	6,4 DIN 125-St A3C		0,001		0,50
56	000003543900	SUPPORT	1	●			0,010		8,17
57	000050158400	PIPE CLIP 14/15	1	●	14 / 15		0,012		8,92
58	000004139000	SPAC.TUBE 6,5X12X18	1	●	6,5 x 12 x 18		0,004		8,74
59	000050158400	PIPE CLIP 14/15	1	●	14 / 15		0,012		8,92
60	000050182700	ALL.SCR.M 6X 40	1	●	M 6 x 40 DIN 912-8.8A3C		0,011		1,56
61	000003210602	SPRING	1	●			0,003		3,93
62	000050478800	FUEL FILTER 7MY	1	●	Filter > -6°C		0,053		31,01
62	000040089401	FUEL FILT.(-6C/21F)	1	●	Filter < -6°C (10MY)		0,051		31,51
63	000050358400	STRAP	2	●	4,8 x 200 mm Black SCHWARZ		0,001		0,75
64	000001949700	TANK 5L EXT.FILTER	1	●	5 l SCHRAUBDECKEL		1,556		893,69
65	000005188200	CONNECTING NIPPLE	1	●			0,003		15,35
66	000050313100	JOINT A 6 X10	1	●	A 6 x 10 DIN 7603-Cu.		0,001		0,50
67	000003613600	VENT SCREW M 6	1	●	M 6 A3C		0,005		14,10
68	000005235602	STICKER DIESEL	1	●	"DIESEL"		0,001		2,43
69	000001756800	NIPPLE	1	●			0,010		39,62
70	000050154300	O-RING 7,5X10,5X1,5	1	●	7,5 x 1,5		0,001	D1	2,62
71	000002298700	FUEL PIPE	1	●			0,080		112,94
72	000005390700	SUPPORT	1	●			0,005		
73	000050547000	ALL.SCR. M 5X 25	1	●	M 5 x 25 DIN 912 - 8.8 A3C Tuf. LOC		0,005		1,75
D	000050223300	LOCTITE 221	1	●	50 ML		0,077		103,02

CD-ID: 004M2

1 B 30.25

Z02a Air filter



Pos.	Part no.	Description	Qty.	Parts return	Notice	Add. notice	kg	dDPW	List price
2	000005056400	WASHER	1	●			0,003		5,62
3	000050171500	ALL.SCR.M 8X 25	3	●	M 8 x 25 DIN 912-8.8A3C		0,015		2,62
4	000050426000	AIRFILTER ELEMENT	1	●			0,098	W2	38,31
5	000050454300	KNURLED NUT M 6	1	●			0,002		4,56
6	000001699301	COVER F. AIRFILTER	1	●			0,290		83,62
7	000050435800	RUBBER SLEEVE	1	●			0,002		5,55
8	000001607911	AIRFILTER HOUSING	1	●			0,524		234,19
9	000050452200	WING NUT M6	1	●	M 6		0,011		10,05
10	000004116600	COVER F.RUBB.INSERT	0... 1	●			0,019		7,99
11	000004116501	RUBBER INSERT	0... 1	●			0,090		52,73
12	000005216100	SEALING STRIP 545MM	1	●	545 mm		0,044		27,71
13	000050095100	SPRING WASHER A 8	2	●	A 8 DIN 137 A3C		0,001		0,50
14	_noorder	No single order	-	●					
15	000005056300	GASKET AIR FILTER	2	●			0,001	d2	5,30
16	000005088301	INSULATING FLANGE	1	●			0,008		
17	000005098100	PLUG	1	●			0,003		8,55
18	000005147101	VALVE PLATE	1	●	(schwarz, black, noir)		0,001		
19	000005147200	VALVE PLATE	1	●	(rot, red, rouge)		0,001		8,49
20	000005175000	SEALING STRIP	1	●	14 x 9 x 30		0,003		5,49
21	000005044610	HOSE 2X4 X 135	1	●	2 x 4 x 135		0,004		9,73
22	000001668810	AIRFILTER HOUSING	1	●			0,572		333,96
23	000050380500	TOOTH.LOCK WASH.J 6	2	●	J 6,4 DIN 6797-A3C		0,001		0,50
24	000004139000	SPAC.TUBE 6,5X12X18	1	●	6,5 x 12 x 18		0,004		8,74
25	000005001200	CLIP	1	●			0,005		7,99

Pos.	Part no.	Description	Qty.	Parts return	Notice	Add. notice	kg	dDPW	List price
26	000001499801	MAINT.INDICATOR	1	●	part was replaced by MAINT.INDICATOR 000001499802	(Pos 27-31)	0,026		
26	000001499802	MAINT.INDICATOR	1	●		Old Identno: 000001499801	0,026		85,74
27	000005044501	INDIC. PLATE	1	●	part was replaced by INDIC. PLATE 000005044502		0,001		
27	000005044502	INDIC. PLATE	1	●		Old Identno: 000005044501	0,001		10,73
28	000005043601	RUBBER CAP	1	●			0,002		30,01
29	000005045600	SIGNAL RING	1	●	(grün, green, vert, verde)		0,001		2,12
30	000005137200	FILTER	1	●	Filter, Filtre, Filtro ø 20 mm		0,001		1,06
31	000005043700	ADAPTER	1	●			0,014		42,43
32	000050173500	PIPE CLIP 10/15	1	●	10 / 15		0,010		7,18
33	000050374900	ALL.SCR.M 6X35	1	●	M 6 x 35 DIN 912-8.8A3C		0,010		2,12
34	000005188310	FUEL PIPE 3,5X 170	1	●	3,5 x 170 mm		0,016		9,17
35	000001699401	COVER F. AIRFILTER	1	●			0,287		89,67
36	000004215000	CLOSING COVER	0... 1	●			0,021		13,85
37	000005166200	RUBBER SHELL 32MM	1	●	32 mm		0,005		4,24
38	000050149100	ALLEN SCREW M 6X 12	1	●	M 6 x 12 DIN 912-8.8A3C		0,005		1,19
39	000005056500	CLOSING COVER	0... 1	●			0,014		8,11
41	000050591500	SHIM 9X15X1,0	1	●	9 x 15 x 1,0 DIN 988		0,001		1,19
42	000050591600	TUBERIVET A8X0,5X12	1	●	8 x 0,5 x 12 DIN 7340		0,001		1,87
43	000001720101	COVER F. AIRFILTER	1	●	BEI KB+EXT.FIL.		0,283		89,67
44	000001720201	COVER F. AIRFILTER	1	●	ANSG.OB.FLT.EXT		0,289		92,66
45	000001699900	COV.F.AIRFILT.+CYCL	1	●			0,394		350,63
46	000001713500	COV.F.AIRFILTER+CYC	1	●	BEI EXT. FILTER		0,391		371,47
47	_nopart	Not in this engine	-	●					

Z02a Air filter

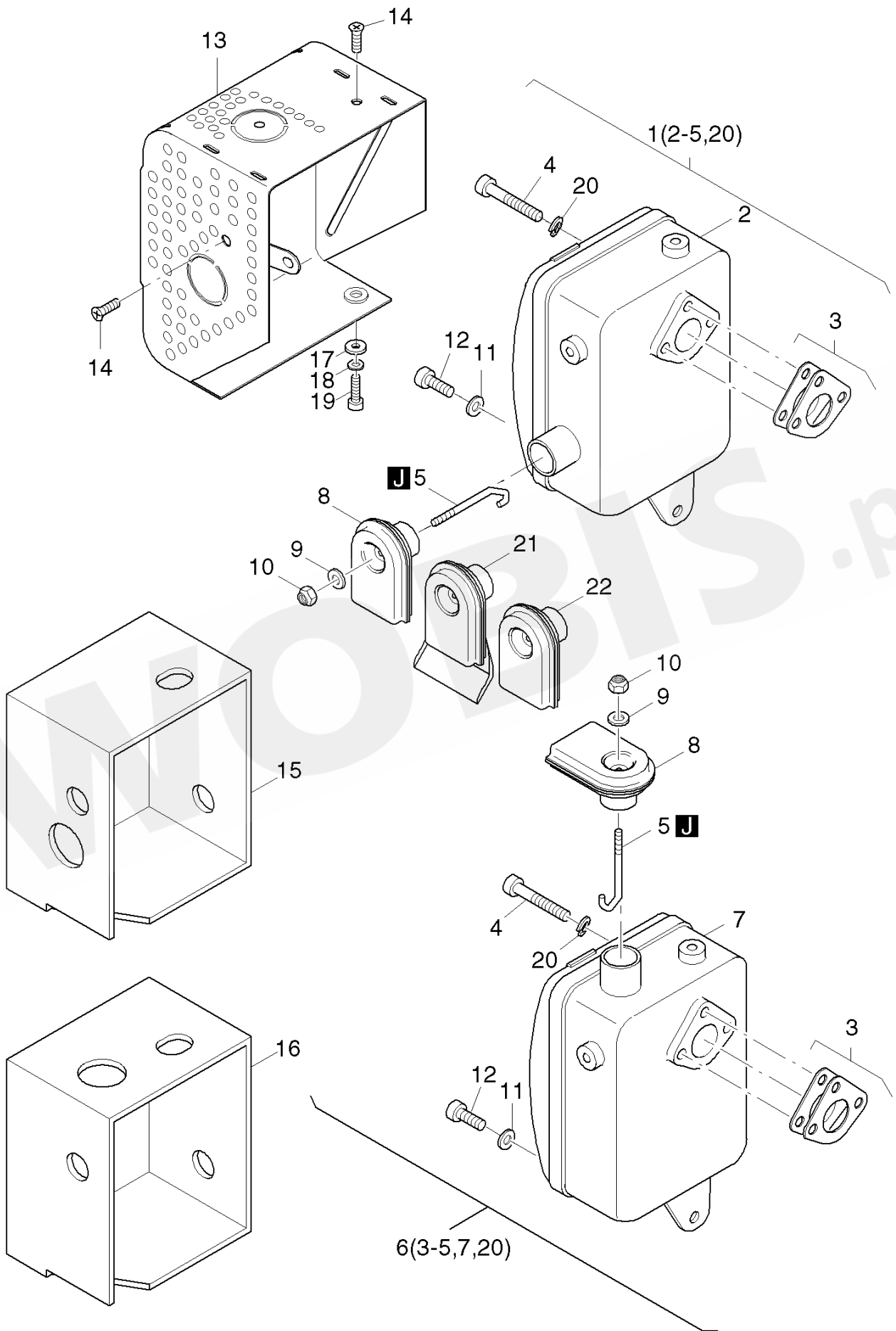
1 B 30.25

CD-ID: 004M2

Pos.	Part no.	Description	Qty.	Parts return	Notice	Add. notice	kg	dDPW	List price
G	000050256501	LOCTITE IS 407	1	●			0,033		54,23

CD-ID: 004M2

Z03d Exhaust silencer - 1B30 1 B 30.25

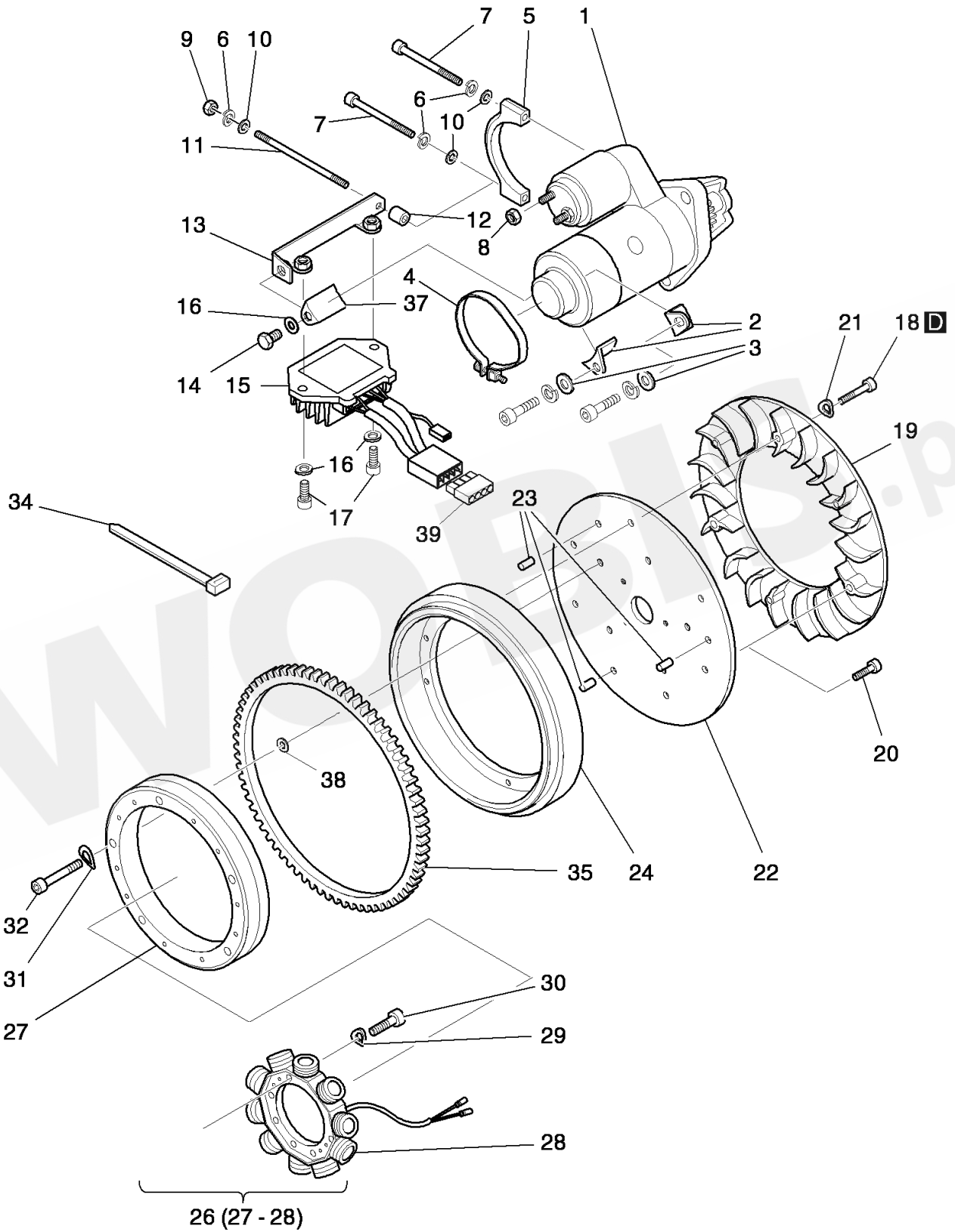


Z03d Exhaust silencer - 1B30 1 B 30.25

CD-ID: 004M2

Pos.	Part no.	Description	Qty.	Parts return	Notice	Add. notice	kg	dDPW	List price
1	000001685810	EXHAUST SILENCER	1	●			2,855		695,45
2	_noorder	No single order	-	●					
3	000001732601	GASKET EXHAUST SIL.	1	●			0,010	d1	6,61
4	000050403900	ALL.SCR.M 8 X 25	3	●	M 8 x 25 DIN 912-8.8C4P		0,015		2,37
5	000005177900	THREADED BOLT M6	1	●	M 6		0,013		5,49
6	000001712610	EXHAUST SILENCER	1	●			3,079		695,45
7	_noorder	No single order	-	●					
8	000001531314	EXHAUST END PIPE	1	●	Standard / standard		0,088		75,44
9	000050144500	FLAT WASHER 6,4	1	●	6,4 DIN 125-St A3C		0,001		0,50
10	000040028300	HEX.NUT M 6	1	●	VM 6 DIN 980 C3P		0,003		2,25
11	000050114300	DISC 6,4	1	●	6,4 x 17 x 3 DIN 7349 A3C		0,005		1,06
12	000050474200	ALL.SCR. M 6X 16	1	●	M6x16 DIN912-8.8 A3C Tuf.360		0,006		4,56
13	000001645720	PROTECT.GUARD EXHST	1	●			0,755		114,94
14	000050422501	CTR.SUNK SCR. M6X12	2	●	M 6 x 12 DIN 7991 - 8.8 A3C		0,002		1,56
15	000001981301	INSULAT.F.EXH.SILEN	0... 1	●	"SILENT"		0,269		216,53
16	000001981501	INSULAT.F.EXH.SILEN	0... 1	●	"SILENT"		0,269		216,53
17	000050114300	DISC 6,4	1	●	6,4 x 17 x 3 DIN 7349 A3C		0,005		1,06
18	000050170900	SPRING WASHER 6	1	●	6 DIN 128 - A3C		0,001		0,50
19	000050177100	HEXSCREW M 6X 16	1	●	M 6 x 16 DIN 933-8.8 A3C		0,005		1,50
20	000050208500	SPRING WASHER 8	3	●	8 DIN 128 A3C		0,001		1,50
21	000001646303	EXHAUST END PIPE	1	●	MIT ABWEISBLECH		0,100		
22	000001576112	EXHAUST END PIPE	1	●	ohne Einsatz / without insert		0,070		77,63
J	000050283004	HIGH TEMP.PASTE	1	●			0,110		74,44

CD-ID: 004M2



Z05a Starter, alternator 1 B 30.25

Z05a Starter, alternator 1 B 30.25

CD-ID: 004M2

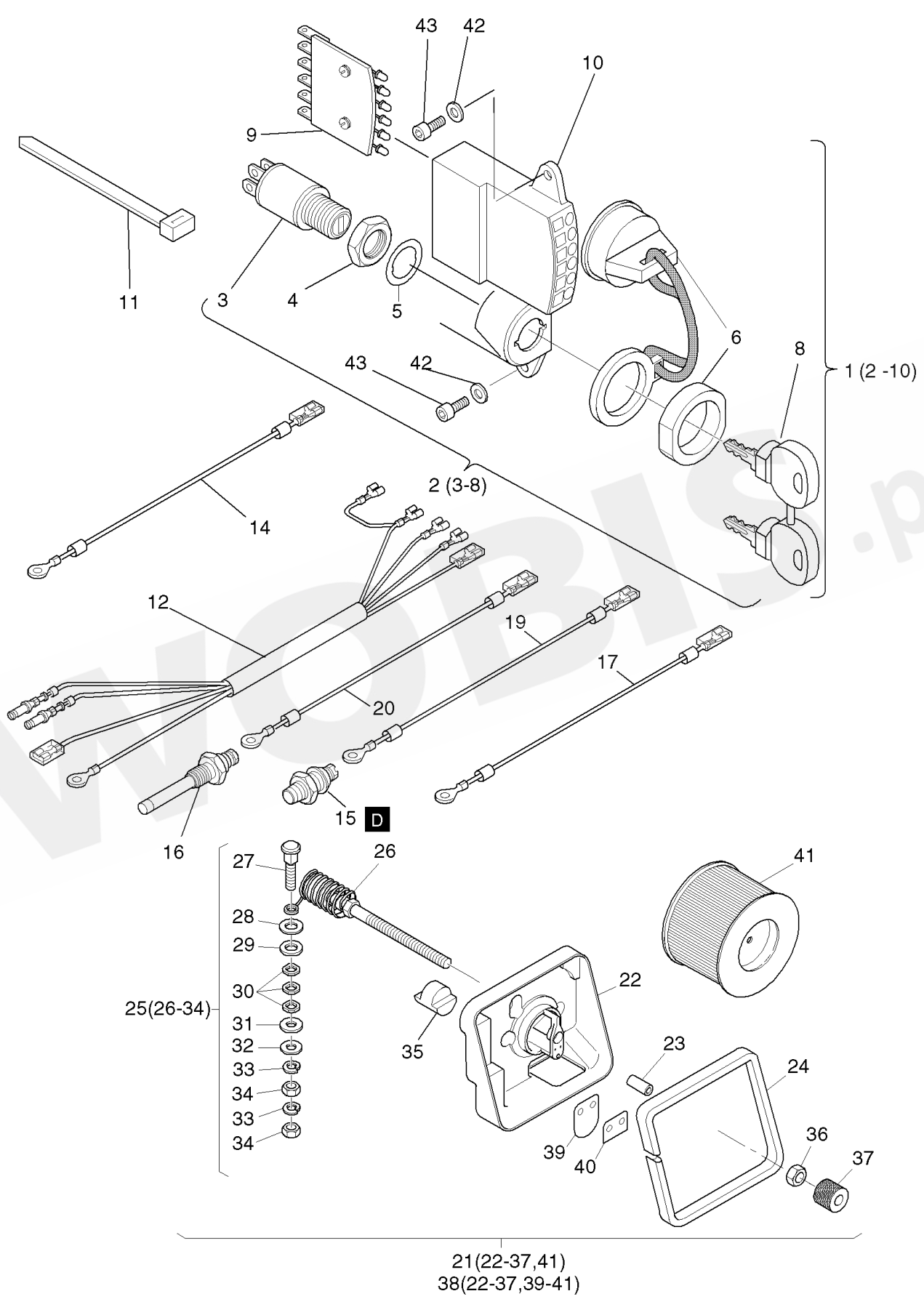
Pos.	Part no.	Description	Qty.	Parts return	Notice	Add. notice	kg	dDPW	List price
1	000050483300	STARTER 24V 1,6KW	1	●	24 V - 1,6 kW		3,775		1290,43
1	000001723400	EL.STARTER 12V1,0KW	1	●	12 V - 1,0 kW		3,285		1055,81
2	000004138400	SUPPORT	2	●			0,023		7,55
3	000050148100	FLAT WASHER 8,4	2	●	8,4 DIN 125-St A3C		0,002		0,50
4	000050529800	HOSE CLIP	1	●			0,035		16,79
5	000004099100	RETAINING BRACKET	1	●			0,085		66,21
6	000050170900	SPRING WASHER 6	2	●	6 DIN 128 - A3C		0,001		0,50
7	000050444300	ALL.SCR. M 6 X 80	2	●	M 6 x 80 DIN 912-8.8A3C		0,019		4,62
8	000050344700	HEXAGON NUT M 8	1	●	M 8 DIN 936 - 5 A3C		0,004		1,50
9	000050144400	HEXAGON NUT M 6	1	●	M 6 DIN 934 - 8 A3C		0,002		1,31
10	000050144500	FLAT WASHER 6,4	2	●	6,4 DIN 125-St A3C		0,001		0,50
11	000050455900	STUD MFS 6X 90	1	●	MFS 6x90 DIN 949 - 1 8.8 A3C		0,022		15,91
12	000003671400	SPACER BUSH	1	●	7 x 12 x 15		0,020		3,74
13	000001560900	SUPPORTTENS.REGUL.	1	●			0,067		33,63
14	000050096200	HEXSCREW M 8X 12	1	●	M 8 x 12 DIN 933 - 8.8 A3C		0,009		2,43
15	000001983800	TENS.REGULATOR 12V	1	●	12 V 12V		0,396		427,19
15	000001983900	REGULATOR 24V	1	●	24 V 24V		0,400		427,19
16	000050148100	FLAT WASHER 8,4	3	●	8,4 DIN 125-St A3C		0,002		0,50
17	000050183000	ALL.SCR. M 8X 35	2	●	M 8 x 35 DIN 912-8.8A3C		0,018		1,62
18	000050327300	ALL.SCR.M 4X 20	6	●	M 4 x 20 DIN 912-8.8 A3C		0,003		0,94
19	000004193600	BLOWER RING	1	●			0,233		76,75
20	000050416800	ALL.SCR. M 6X 16	3	●	M 6 x 16 DIN 912 - 8.8 A3C Tuf.		0,005		1,50
21	000050003400	SPRING WASHER A 4	6	●	A 4 DIN 137 - ST		0,001		0,50
22	000004098720	FLANGE	1	●			1,755		224,14

Z05a Starter, alternator 1 B 30.25

CD-ID: 004M2

Pos.	Part no.	Description	Qty.	Parts return	Notice	Add. notice	kg	dDPW	List price
23	000050035200	PIN 6 X12	3	●	6 x 12 ISO 8752-ST		0,003		1,81
24	000004110120	ADD. FLYWHEEL	1	●			3,183		184,89
26	000001925900	ALTERNATOR 12V 200W	1	●	12 V		1,450		385,38
26	000001926000	ALTERNATOR 24V	1	●	24 V / 12V o. BATT.		1,553		511,93
27	_noorder	No single order	-	●					
28	_noorder	No single order	-	●					
29	000050081900	SPRING WASHER A 5	4	●	A 5 DIN 137 A3C		0,001		0,50
30	000050547000	ALL.SCR. M 5X 25	4	●	M 5 x 25 DIN 912 - 8.8 A3C Tuf. LOC		0,005		1,75
31	000050081200	SPRING WASHER A 6	5	●	A 6 DIN 137 - A3C		0,001		0,50
32	000050448700	ALL.SCR.M 6X 30	5	●	M 6 x 30 DIN 6912-8.8 A3C		0,007		2,43
34	000050358400	STRAP	3	●	4,8 x 200 mm Black SCHWARZ		0,001		0,75
35	000004108000	GEARRING	1	●			0,586		202,74
37	000004138400	SUPPORT	1	●			0,023		7,55
38	000050114300	DISC 6,4	5	●	6,4 x 17 x 3 DIN 7349 A3C		0,005		1,06
39	000050402100	PLUG SLEEVE HOUSING	1	●	4-P.		0,003		27,33
D	000050223300	LOCTITE 221	1	●	50 ML		0,077		103,02

CD-ID: 004M2



Z05b Electric equipment, wirings 1 B 30.25

Z05b Electric equipment, wirings 1 B 30.25

CD-ID: 004M2

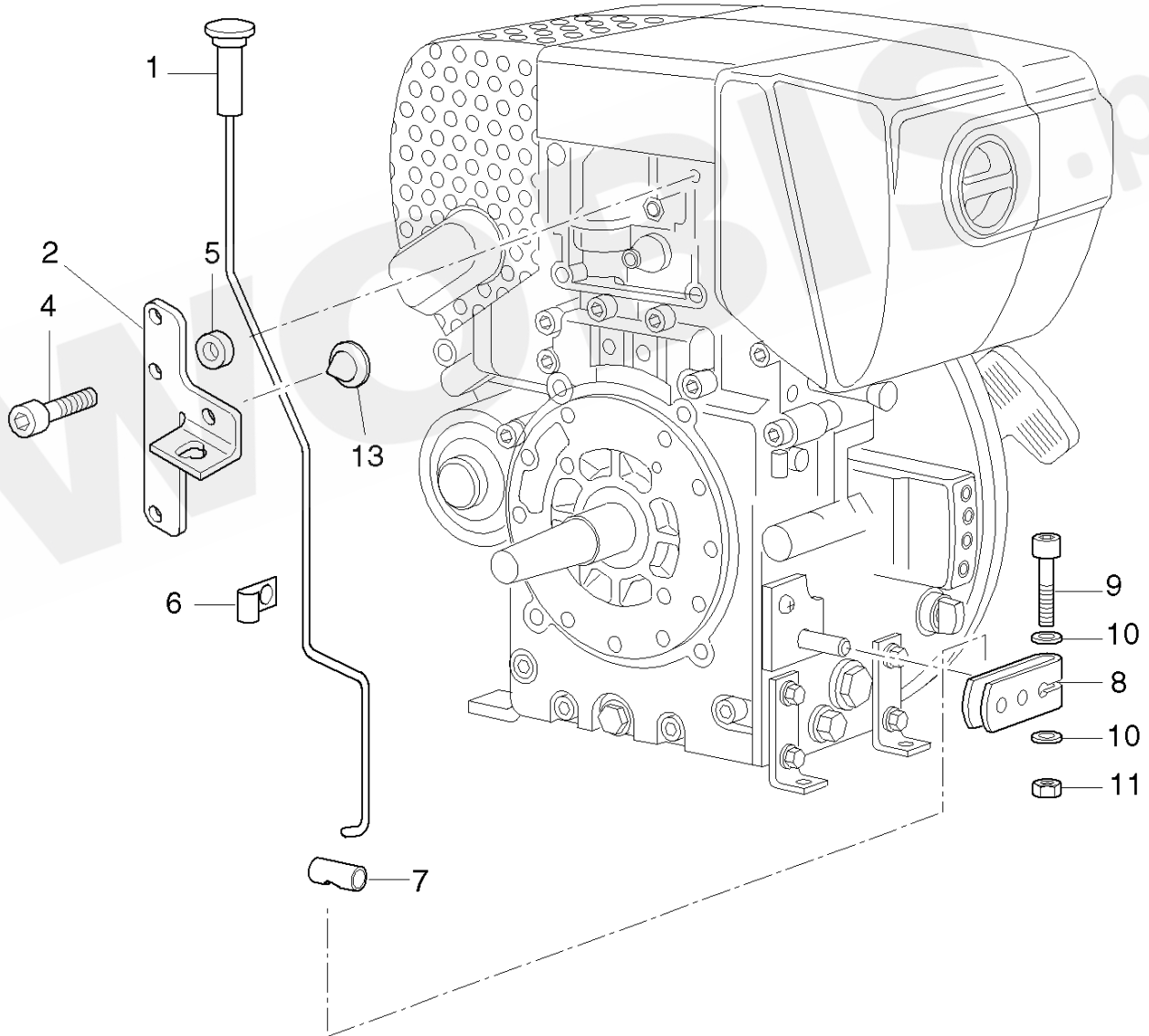
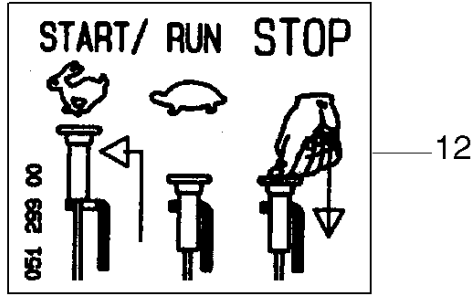
Pos.	Part no.	Description	Qty.	Parts return	Notice	Add. notice	kg	dDPW	List price
1	000001560803	INSTRUMENT BOX 12V	1	●			0,192		728,08
2	000050599500	STARTING SWITCH	1	●			0,139		196,50
3	_noorder	No single order	-	●					
4	_noorder	No single order	-	●					
5	_noorder	No single order	-	●					
6	000050600900	PROTECTION CAP+RING	1	●			0,010		36,69
8	000050600800	SWITCH BOX KEY	1	●	Nr. 607		0,012		23,52
9	_noorder	No single order	-	●					
10	_noorder	No single order	-	●					
11	000050358400	STRAP	2	●	4,8 x 200 mm Black SCHWARZ		0,001		0,75
12	000001785100	WIRING HARNESS	1	●			0,063		78,25
14	000001546800	ELECTRIC WIRE	1	●	(0) Masse		0,008		11,92
15	000050469101	OIL PRESSURE SWITCH	0... 1	●	OIL 0,3 - 0,6 bar		0,032		
15	000050604401	OIL PRESSURE SWITCH 1,5 BAR	0... 1	●	OIL 1,20 - 1,80 bar (Gen)		0,032		
16	000050268600	TEMP.SWITCH C-HD220	1	●	TEMP. 12-24V		0,016		178,90
17	000001715200	ELECTRIC WIRE 400MM	1	●	(6) 400 mm		0,019		19,09
19	000001546500	ELECTRIC WIRE	1	●	(4)		0,011		15,91
20	000001546900	ELECTRIC WIRE	1	●	(5)		0,014		17,10
21	000001745411	AIRFILTER HOUSING 24V	1	●	24V		0,561		651,89
21	000001607822	AIRFILTER HOUSING 12V	1	●	12V		0,561		649,58
22	_noorder	No single order	-	●					
23	000004119200	SPACER BUSH	1	●	6,5 x 13 x 15		0,002		7,30
24	000005216100	SEALING STRIP 545MM	1	●	545 mm		0,044		27,71
25	000001755100	GLOW PLUG 24V	1	●	24V		0,055		169,73

Z05b Electric equipment, wirings 1 B 30.25

CD-ID: 004M2

Pos.	Part no.	Description	Qty.	Parts return	Notice	Add. notice	kg	dDPW	List price
25	000001755000	GLOW PLUG 12V	1	●	12V		0,053		
26	_noorder	No single order	-	●					
27	000005040100	SCREW F.HEATG.FLANG	1	●			0,005		12,54
28	000050144500	FLAT WASHER 6,4	1	●	6,4 DIN 125-St A3C		0,001		0,50
29	000050412801	DISC	1	●	6,5		0,001		1,75
30	000050412600	INSULATION RING	3	●			0,001		1,12
31	000050412700	DISC F.HEATG.FLANGE	1	●			0,001		1,62
32	000050216300	WASHER 5,3	1	●	5,3 DIN 125-St A3C		0,001		0,50
33	000050002600	SPRING WASHER 5	2	●	5 DIN 128 - A3C		0,001		0,50
34	000050094300	HEXAGON NUT M 5	2	●	M 5 DIN 934-8 A3C		0,001		0,50
35	000005098100	PLUG	1	●			0,003		8,55
36	000050144400	HEXAGON NUT M 6	1	●	M 6 DIN 934 - 8 A3C		0,002		1,31
37	000005149600	RUBBER SHELL 12MM	1	●	12 mm		0,002		2,62
38	000001762311	AIRFILTER HOUSING	1	●	24V		0,578		710,61
38	000001762212	AIRFILTER HOUSING	1	●	12V		0,578		710,61
39	000005147100	VALVE PLATE	1	●	(schwarz, black, noir) part was replaced by VALVE PLATE 000005147101		0,001		5,62
39	000005147101	VALVE PLATE	1	●	(schwarz, black, noir)	Old Identno: 000005147100	0,001		
40	000005147200	VALVE PLATE	1	●	(rot, red, rouge)		0,001		8,49
41	000050426000	AIRFILTER ELEMENT	1	●			0,098		38,31
42	000050144500	FLAT WASHER 6,4	2	●	6,4 DIN 125-St A3C		0,001		0,50
43	000050149100	ALLEN SCREW M 6X 12	2	●	M 6 x 12 DIN 912-8.8A3C		0,005		1,19
D	000050223300	LOCTITE 221	1	●	50 ML		0,077		103,02

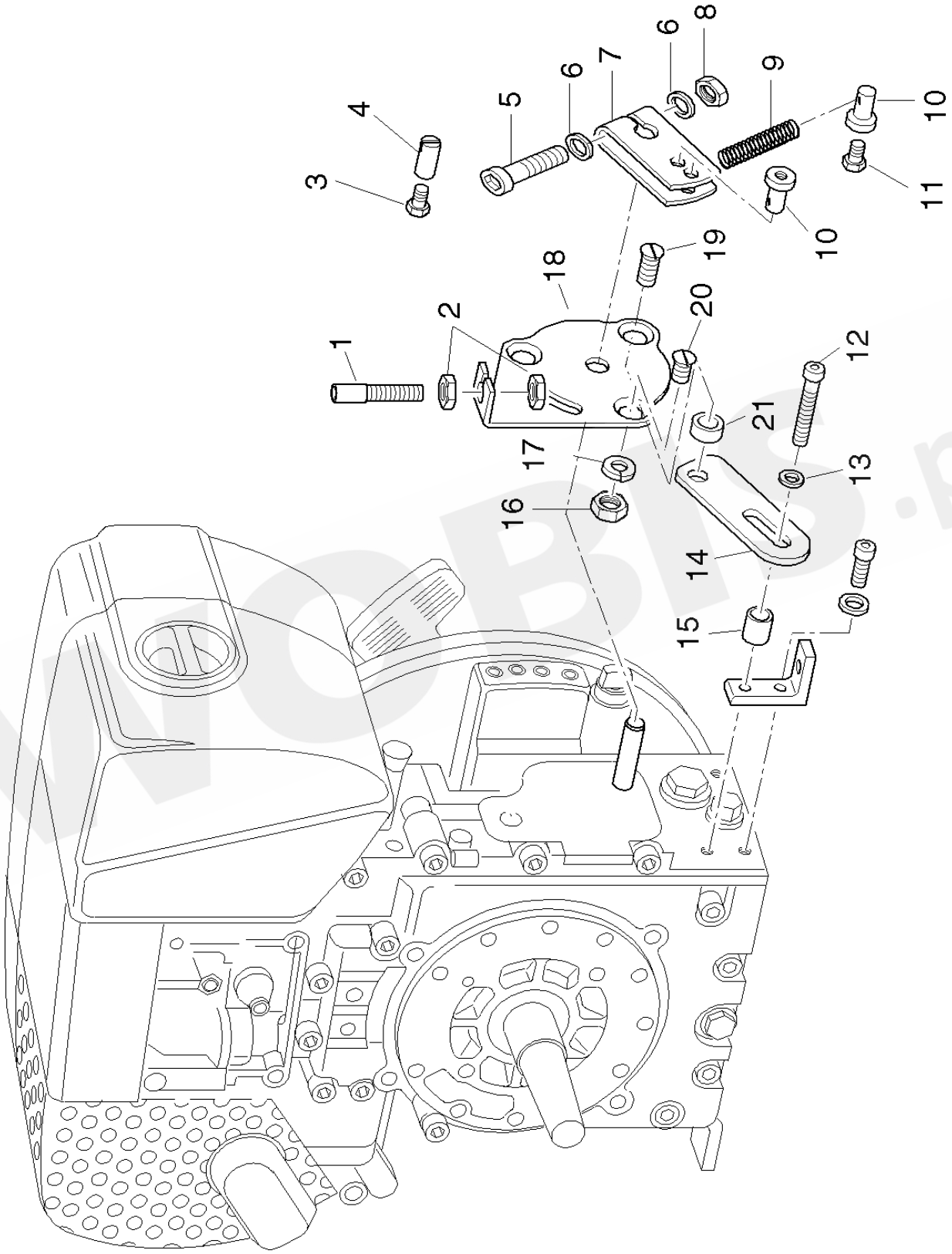
CD-ID: 004M2



1 B 30.25

Z09a Speed control

Pos.	Part no.	Description	Qty.	Parts return	Notice	Add. notice	kg	dDPW	List price
1	000001575121	ROD	1	●			0,033		134,28
2	000005141102	SUPPORT	1	●			0,062		25,96
4	000050462900	ALL.SCR.M6X 20	2	●	M 6 x 20 DIN 6912 - 8.8 A3C		0,007		1,81
5	000003354600	SPACER BUSH	2	●	7 x 12 x 8		0,005		3,31
6	000005124600	SUPPORT	1	●			0,002		3,99
7	000005118500	GUIDE	1	●			0,001		11,04
8	000005117700	LEVER	1	●			0,020		14,79
9	000050511900	ALL.SCR M 5X 30	1	●	M 5 x 30 DIN 912-8.8 A3C		0,005		0,87
10	000050216300	WASHER 5,3	2	●	5,3 DIN 125-St A3C		0,001		0,50
11	000050094300	HEXAGON NUT M 5	1	●	M 5 DIN 934-8 A3C		0,001		0,50
12	000005129902	STICKER LABEL	1	●			0,001		12,04
13	000050482900	ANTI VIBR.MT.15/068	1	●			0,001		6,61

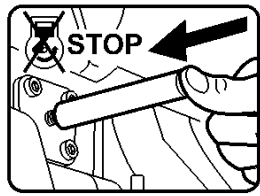


Z09b Speed control for bowdencable 1 B 30.25

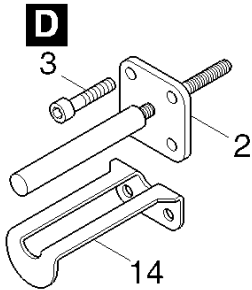
CD-ID: 004M2

Pos.	Part no.	Description	Qty.	Parts return	Notice	Add. notice	kg	dDPW	List price
1	000005141200	ADJUSTING SCREW	1	●	M 6		0,005		23,15
2	000050144400	HEXAGON NUT M 6	2	●	M 6 DIN 934 - 8 A3C		0,002		1,31
3	000050025000	HEXSCREW M 4X 10	1	●	M 4 x 10 DIN 933-8.8 A3C		0,002		0,94
4	000050483000	CABLE CLAMPG. 2,2MM	1	●	2,2 NR. 1120		0,002		6,43
5	000050511900	ALL.SCR M 5X 30	1	●	M 5 x 30 DIN 912-8.8 A3C		0,005		0,87
6	000050216300	WASHER 5,3	2	●	5,3 DIN 125-St A3C		0,001		0,50
7	000005117700	LEVER	1	●			0,020		14,79
8	000050094300	HEXAGON NUT M 5	1	●	M 5 DIN 934-8 A3C		0,001		0,50
9	000050484600	PRESSURE SPRING	0... 1	●	1,0 x 33mm		0,002		9,55
9	000050483200	PRESSURE SPRING	0... 1	●	1,8 x 38mm		0,006		13,35
10	000050483100	CABLE CLAMPG. 2,2MM	2	●	2,2 NR. 1450 part was replaced by CABLE CLAMPG. 000001647300		0,004		
10	000001647300	CABLE CLAMPG.	2	●		Old Identno: 000050483100	0,004		8,11
11	000050025000	HEXSCREW M 4X 10	1	●	M 4 x 10 DIN 933-8.8 A3C		0,002		0,94
12	000050248800	ALL.SCREW M 8X60	1	●	M 8 x 60 DIN 912-8.8A3C		0,029		3,37
13	000050148100	FLAT WASHER 8,4	1	●	8,4 DIN 125-St A3C		0,002		0,50
14	000005117500	PLATE	1	●			0,027		7,55
15	000003520600	SPACER TUBE	1	●	9 x 14 x 20		0,014		10,23
16	000050328300	HEXAGON NUT VM6	1	●	VM 6 DIN 980-8 A3C		0,002		1,50
17	000050208500	SPRING WASHER 8	1	●	8 DIN 128 A3C		0,001		1,50
18	000005117610	CONSOLE	1	●			0,016		22,28
19	000050423900	CTR.SUNK SCR.M6X 20	1	●	M 6 x 20 DIN 7991-10.9 A3C		0,005		2,62
20	000050380800	CTR.SUNK SCR.M6X10	1	●	M 6 x 10 DIN 7991 -8.8 A3C		0,003		2,75
21	000003292900	SPACER TUBE	1	●	8,2 x 11 x 12		0,004		4,87

CD-ID: 004M2



5



D

3

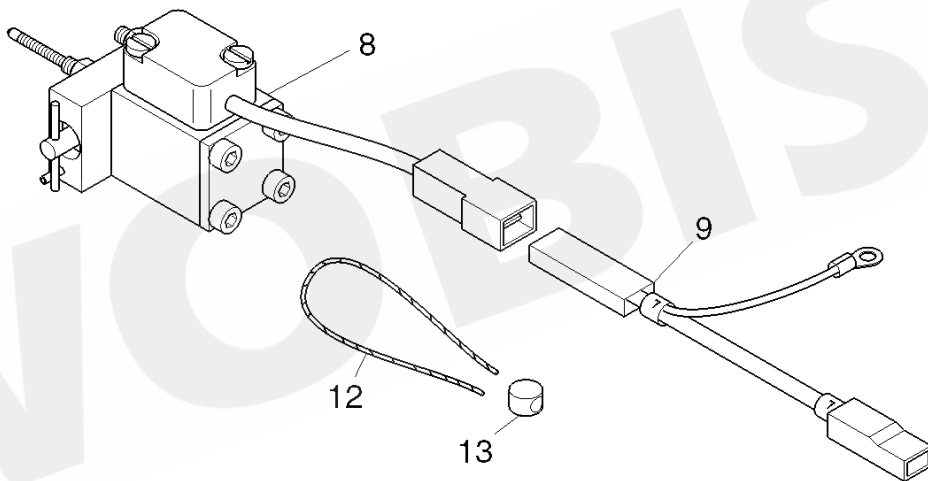
2

14



4

1(2-5)



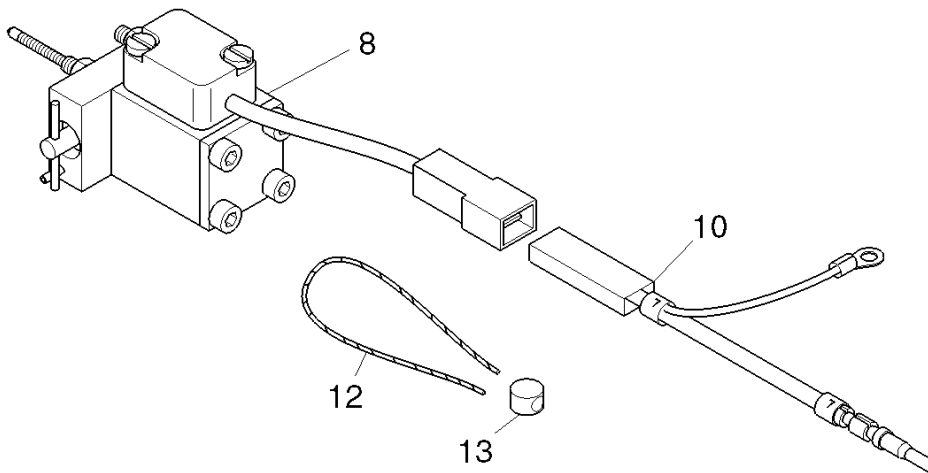
8

9

12

13

6(8,9,12-13)



8

10

12

13

7(8,10-13)

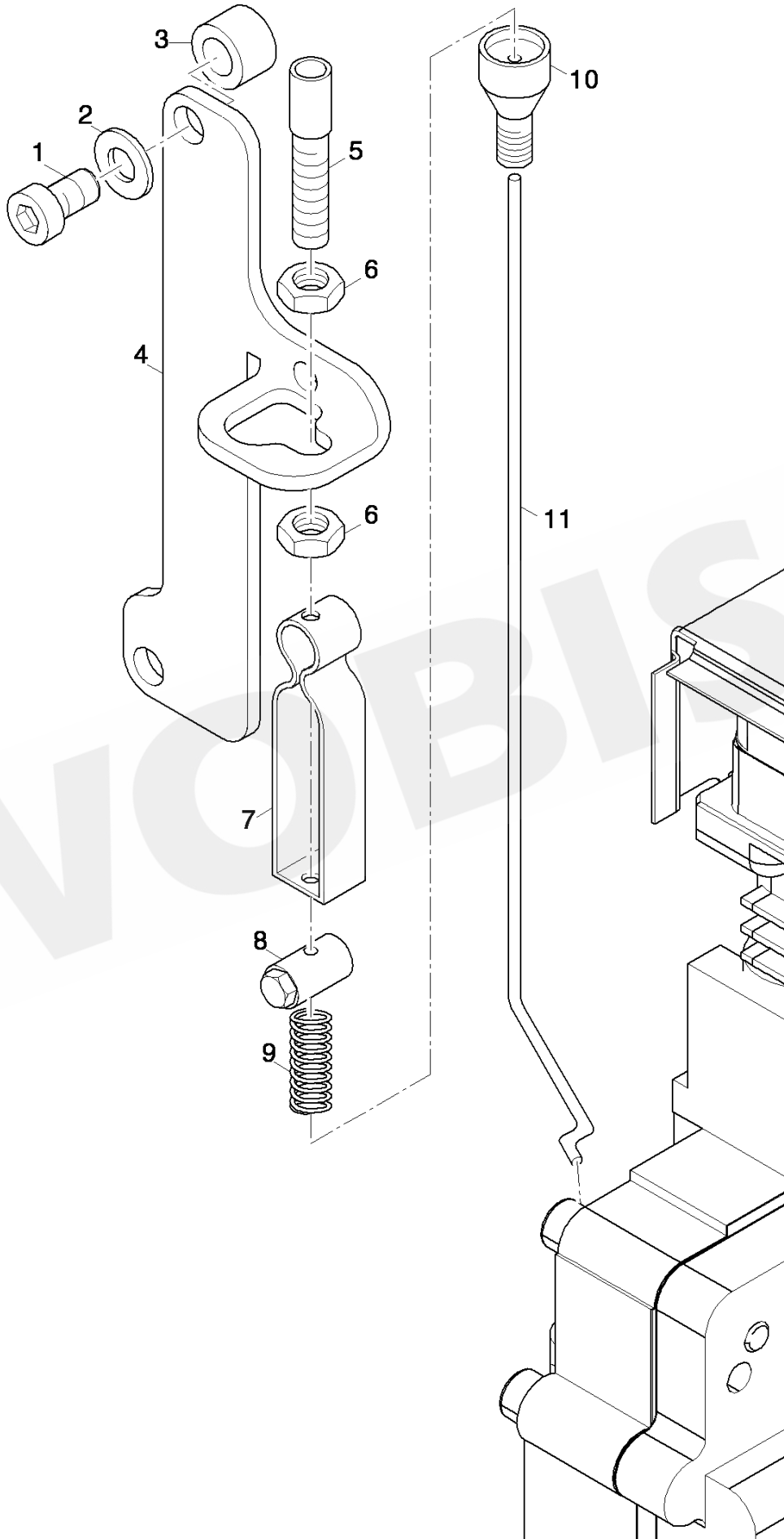
Z09c Engine stop device 1 B 30.25

Z09c Engine stop device 1 B 30.25

CD-ID: 004M2

Pos.	Part no.	Description	Qty.	Parts return	Notice	Add. notice	kg	dDPW	List price
1	000001786401	STOP DEVICE	1	●			0,060		91,79
2	_noorder	No single order	-	●					
3	000050446900	ALL.SCR. M 4 X 16	4	●	M 4 x 16 DIN 912-8.8 A3C Tuf. FLEC		0,002		1,62
4	000050329000	O-RING 9,5X2,5	1	●	9,5 x 2,5		0,001		3,06
5	000005221301	STICKER LABEL	1	●	Hinweisschild		0,001		7,30
6	000001786201	LIFT.MGT.EG STOP24V(INST.BOX MOUNTED)	1	●	24V AK ANGEBAUT		0,216		406,22
6	000001786001	LIFT.MGT.EG.STOP12V(INST.BO X MOUNT.)	1	●	12V AK ANGEBAUT		0,219		383,07
7	000001786301	LIFT.MGT.EG STOP24V(INST.BOX LOOSE)	1	●	24V AK LOSE		0,215		406,22
7	000001786101	LIFT.MGT.EG.STOP12V(INST.BO X LOOSE)	1	●	12V AK LOSE		0,218		383,07
8	_noorder	No single order	-	●					
9	000001547101	ELECTRIC WIRE	1	●			0,016		56,85
10	000001548201	ELECTRIC WIRE	1	●			0,015		56,28
12	000040021500	SEAL WIRE 0,5-0,3	1	●	0,5 / 0,3 x 200		0,001		0,50
13	000040021400	LEAD SEAL 8 MM	1	●	8 mm ø		0,001		0,50
14	000005307200	CONSOLE F.STOP BUTT	1	●			0,014		8,24
D	000050223300	LOCTITE 221	1	●	50 ML		0,077		103,02

CD-ID: 004M2

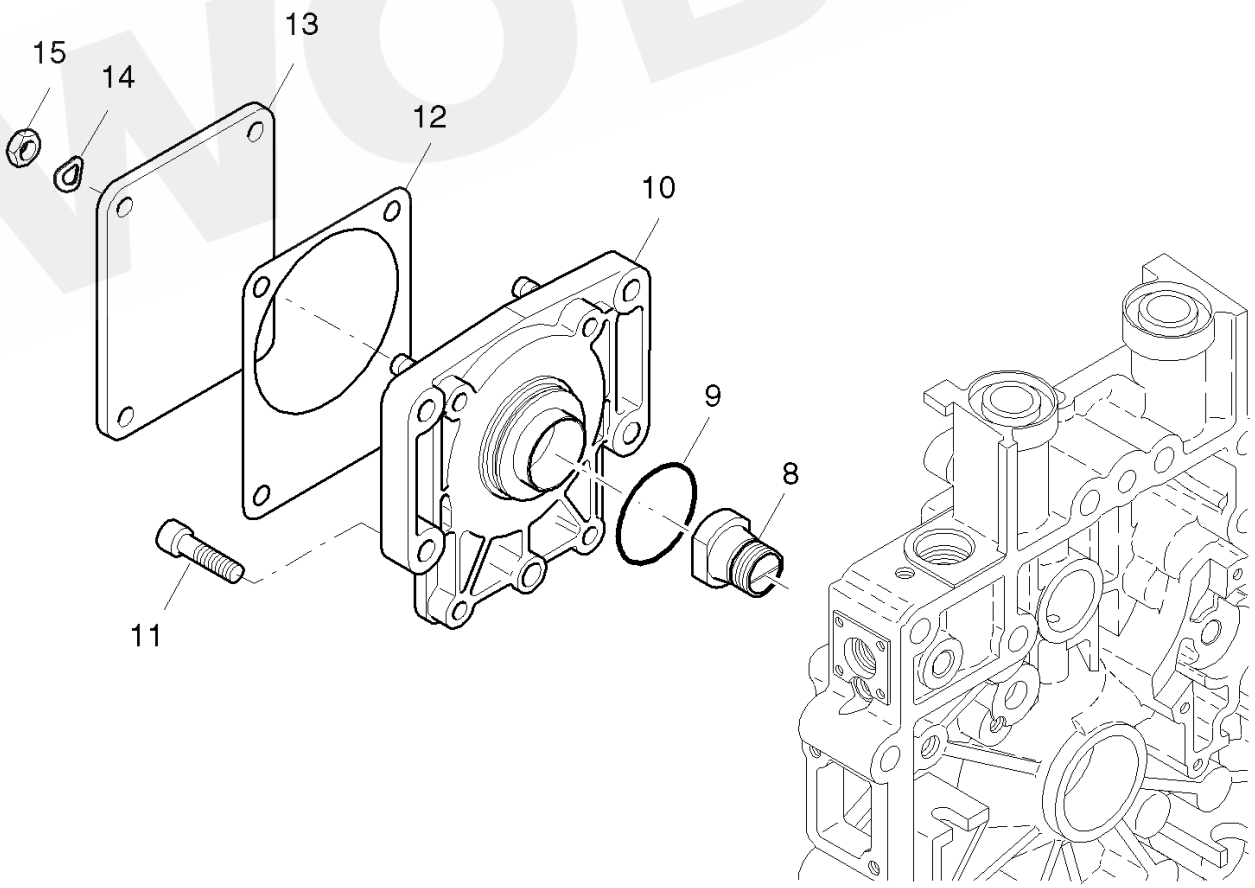
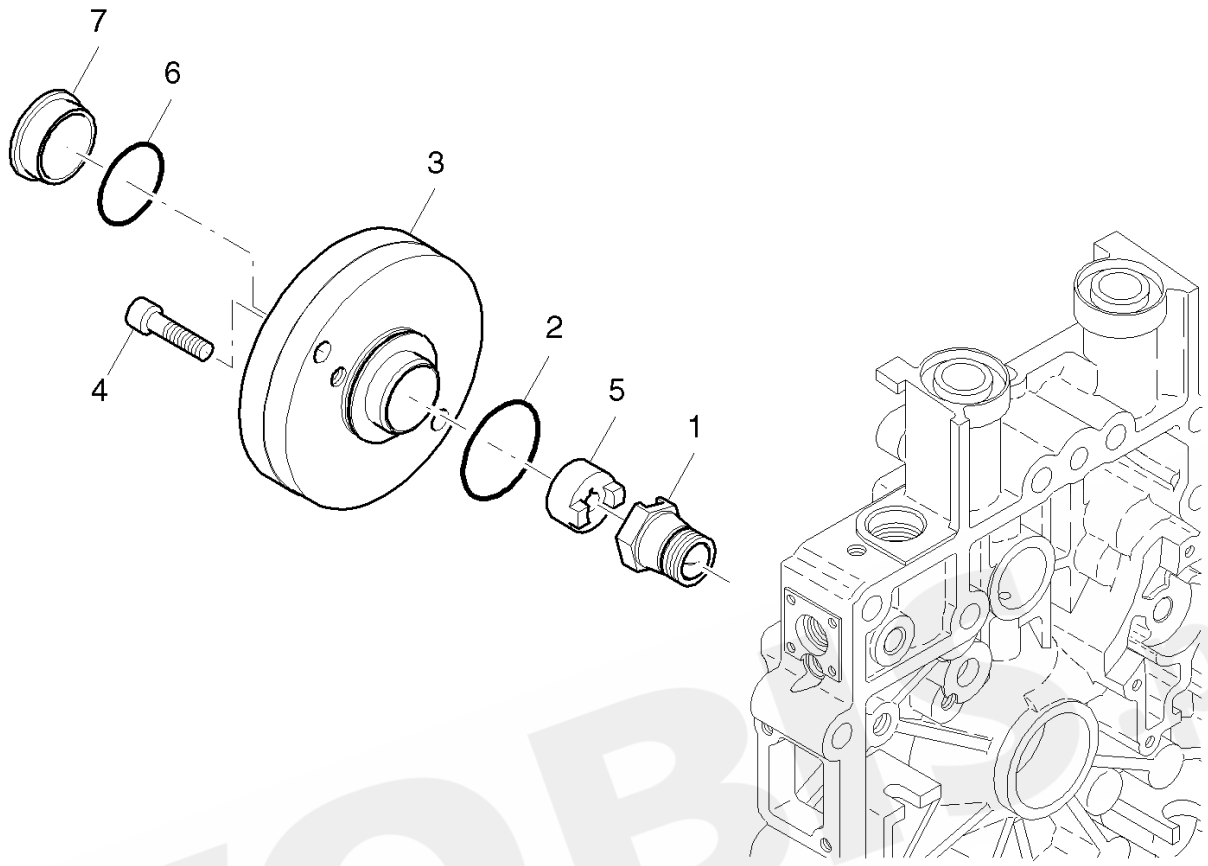


Z09d Speed control internal 1 B 30.25

Z09d Speed control internal 1 B 30.25

Pos.	Part no.	Description	Qty.	Parts return	Notice	Add. notice	kg	dDPW	List price
1	000050462900	ALL.SCR.M6X 20	2	●	M 6 x 20 DIN 6912 - 8.8 A3C		0,007		1,81
2	000050144500	FLAT WASHER 6,4	2	●	6,4 DIN 125-St A3C		0,001		0,50
3	000003354600	SPACER BUSH	2	●	7 x 12 x 8		0,005		3,31
4	000005141102	SUPPORT	1	●			0,062		25,96
5	000005141200	ADJUSTING SCREW	1	●	M 6		0,005		23,15
6	000050144400	HEXAGON NUT M 6	2	●	M 6 DIN 934 - 8 A3C		0,002		1,31
7	000005161400	CLAMP	1	●			0,010		9,05
8	000050481000	NIPPLE 2,3 DU	1	●			0,008		7,05
9	000050480900	PRESSURE SPRING	1	●			0,003		13,17
10	000001656700	GUIDE	1	●			0,007		144,27
11	000004130110	ROD	1	●			0,005		32,39

CD-ID: 004M2



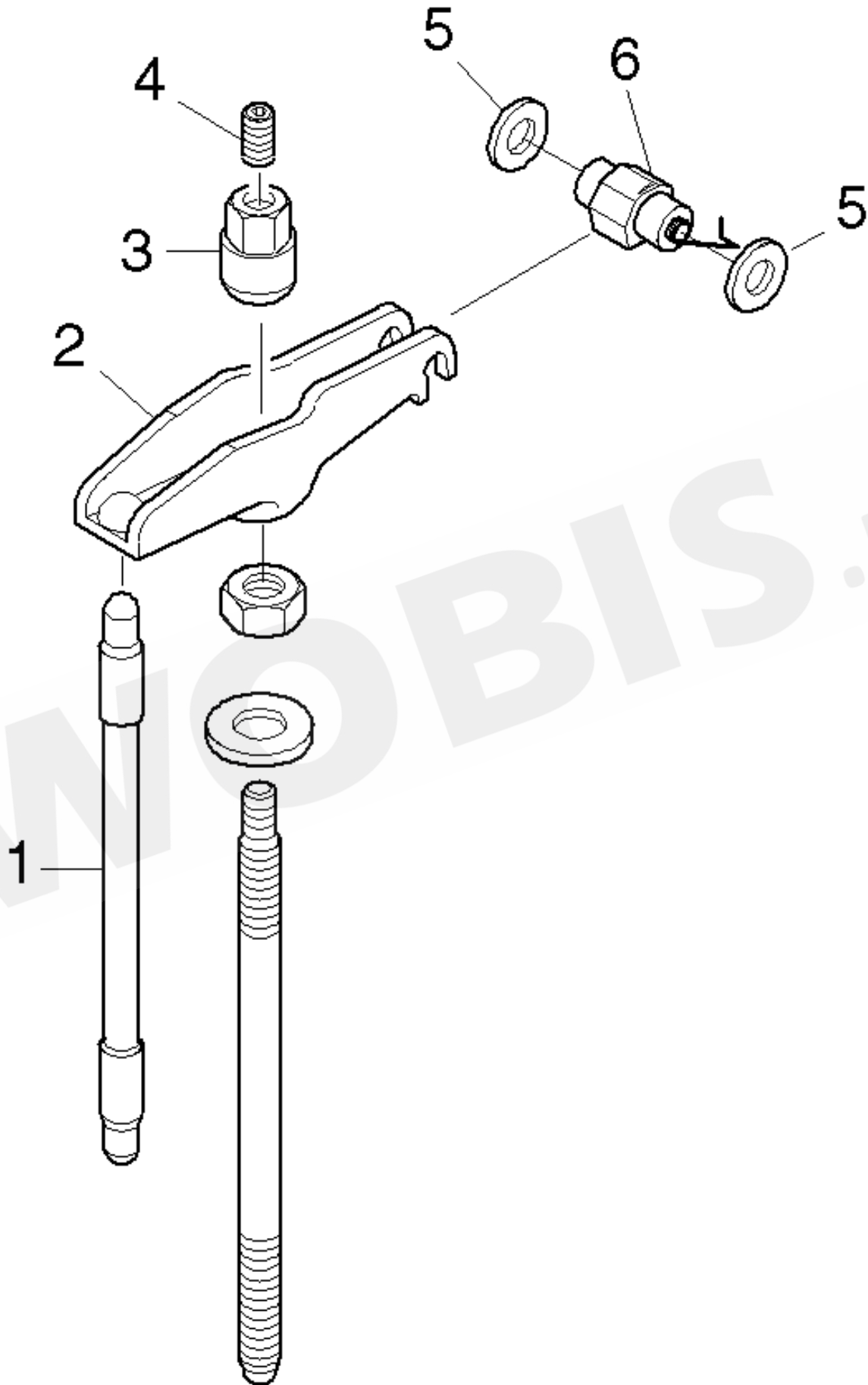
Z18 Mount. parts hydr. pump 1 B 30.25

Z18 Mount. parts hydr. pump 1 B 30.25

CD-ID: 004M2

Pos.	Part no.	Description	Qty.	Parts return	Notice	Add. notice	kg	dDPW	List price
1	000001558100	DRIVING SLEEVE	1	●			0,128		198,81
2	000050454500	O-RING 44 X 1,5	1	●	44 x 1,5		0,001		6,61
3	000005115000	CONNECTING FLANGE	1	●			1,117		
4	000050175900	ALL.SCR.M 8X 30	2	●	M 8 x 30 DIN 912-8.8A3C		0,017		2,81
5	000005114700	DRIVING SLEEVE	1	●			0,044		361,17
6	000050288200	O-RING 32 X2,5	1	●	32 x 2,5		0,001		8,80
7	000050163101	CLOSING PLUG	1	●	F 25 ø 31,8		0,005		9,42
8	000001558000	DRIVING SLEEVE	1	●			0,184		201,93
9	000050454500	O-RING 44 X 1,5	1	●	44 x 1,5		0,001		6,61
10	000001664800	CONNECTING FLANGE	1	●			0,541		459,20
11	000050494300	ALL-SCR. M 8X 20	4	●	M 8 x 20 DIN 912-8.8 Tuf. 360 G		0,013		10,67
12	000003568000	GASKET	1	●			0,002		6,24
13	000003761600	COVER	1	●			0,422		77,38
14	000050095100	SPRING WASHER A 8	4	●	A 8 DIN 137 A3C		0,001		0,50
15	000050148000	HEXAGON NUT M 8	4	●	M 8 DIN 934-8 A3C		0,005		1,50

CD-ID: 004M2



Z25 Autom. valve adjuster 1 B 30.25

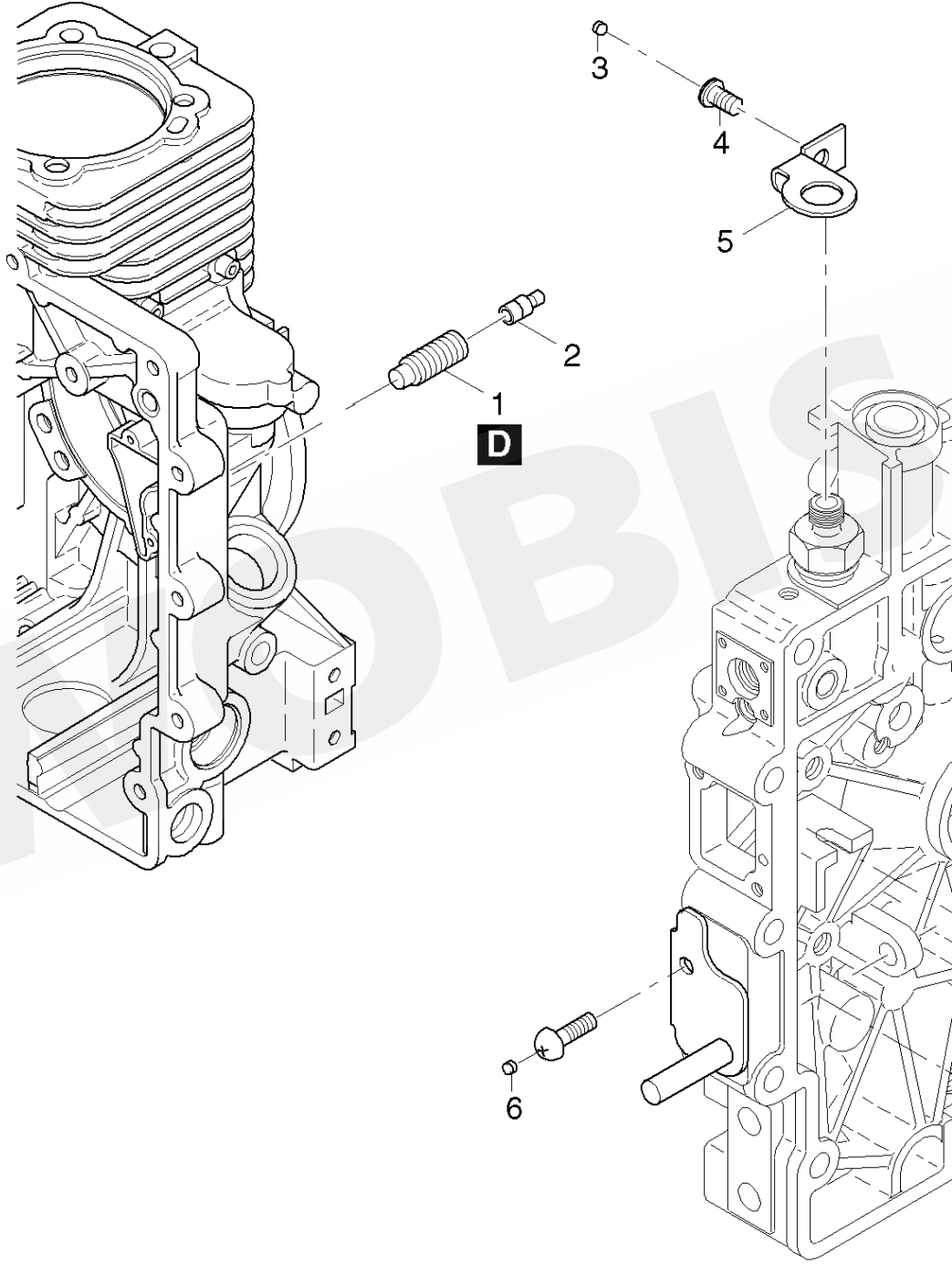
Z25 Autom. valve adjuster 1 B 30.25

CD-ID: 004M2

Pos.	Part no.	Description	Qty.	Parts return	Notice	Add. notice	kg	dDPW	List price
1	000001374101	PUSHROD	2	●			0,035		95,53
2	000005283500	ROCKER	2	●			0,066		64,77
3	000005054700	NUT F. ROCKERARM	2	●			0,012		31,45
4	000050513100	GRUB SCREW M 8X10	2	●	M 8 x 10 DIN 916-45H		0,002	W2	1,50
5	000050445100	SUPP.DISCS 6X12X1,2	0... 4	●	6 x 12 x 1,2 DIN 988		0,008		1,50
5	000005240700	SUPP.DISCS 6X12X1,35	0... 4	●	6 x 12 x 1,35		0,001		5,99
6	000001776000	SLIDER F.ROCKERARM	2	●			0,004		53,60

CD-ID: 004M2

Z90 Spec. equipment EPA 1 B 30.25



Pos.	Part no.	Description	Qty.	Parts return	Notice	Add. notice	kg	dDPW	List price
1	000004198700	GRUB SCREW CARB/EPA	1	●			0,017		
2	000004150500	CLOSING PLUG 6 CARB	1	●	6		0,001		8,49
3	000004170600	PLUG 4,15	1	●	4,15		0,001		4,62
4	000050495000	SCREW M6X12	1	●	M 6 x 12 DIN 7380-10.9 A3C		0,004		2,68
5	000004185301	GUARD	1	●			0,008		5,87
6	000005201500	CLOSING PLUG 3	1	●	3		0,001		5,05
D	000050223300	LOCTITE 221	1	●	50 ML		0,077		103,02