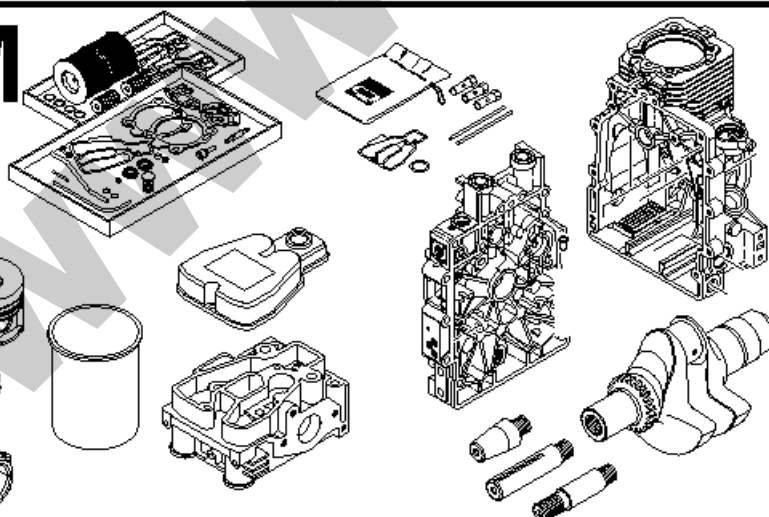


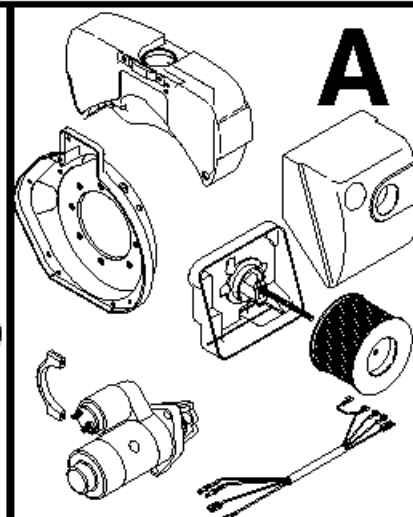
1B30.13

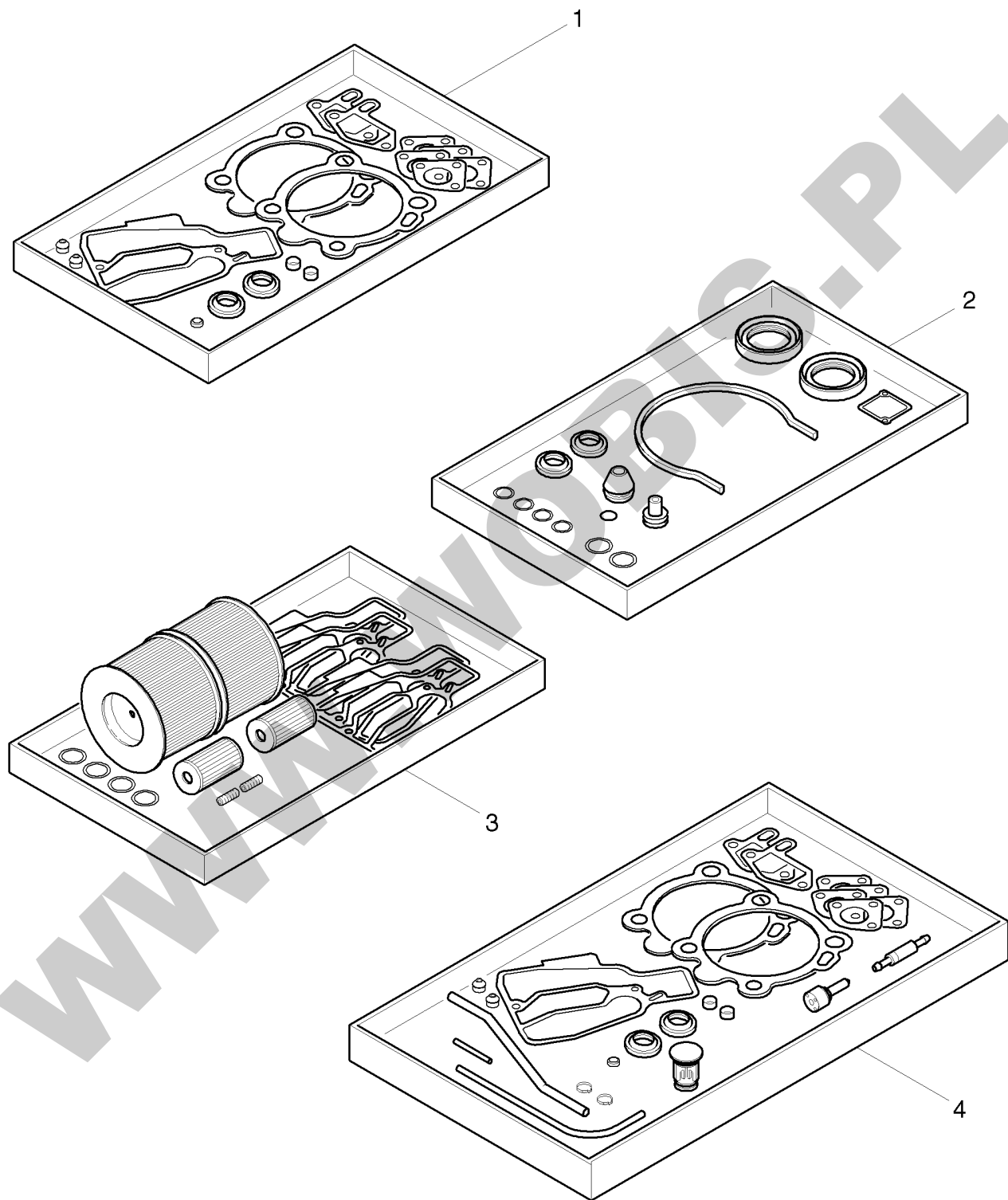


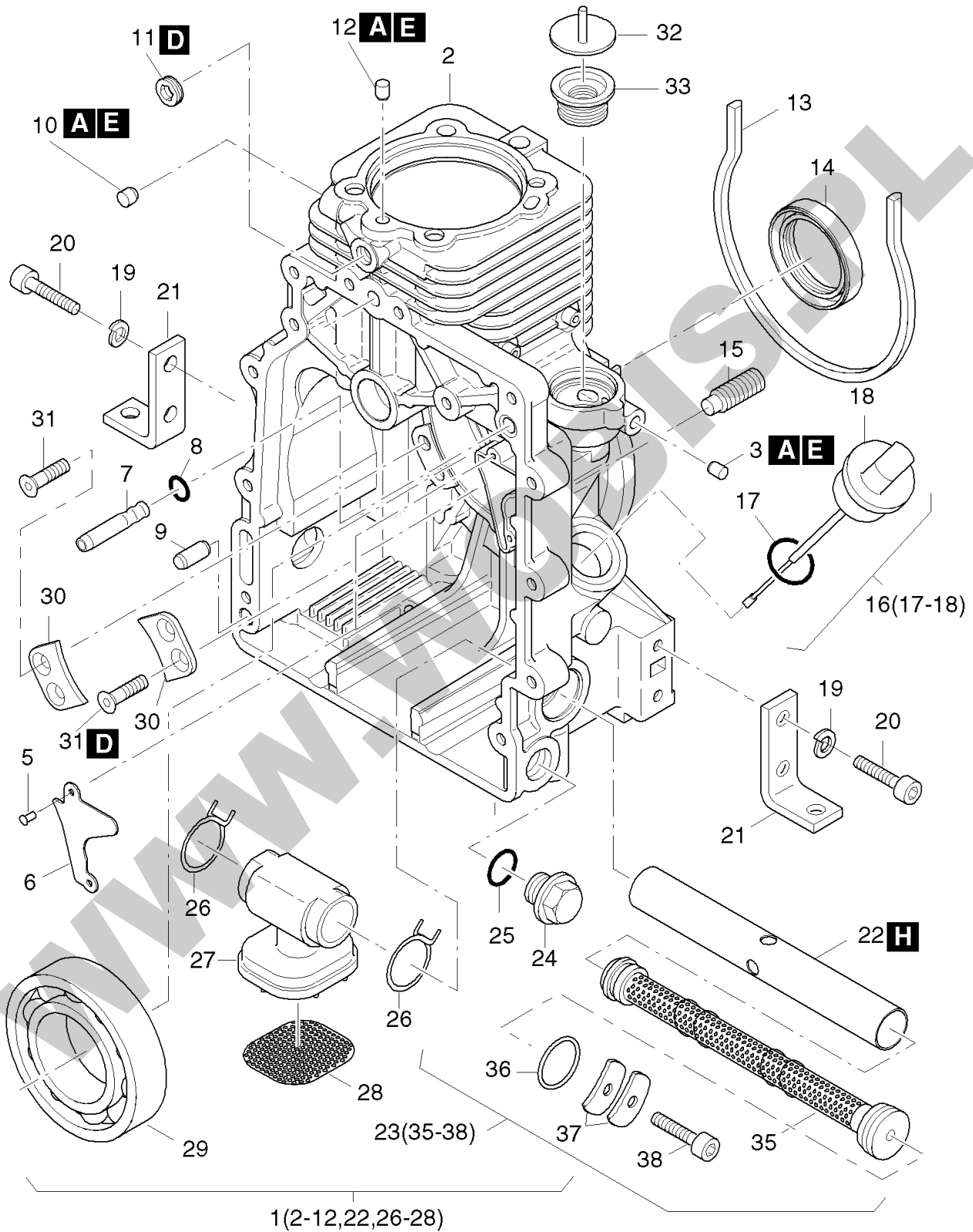
M



A





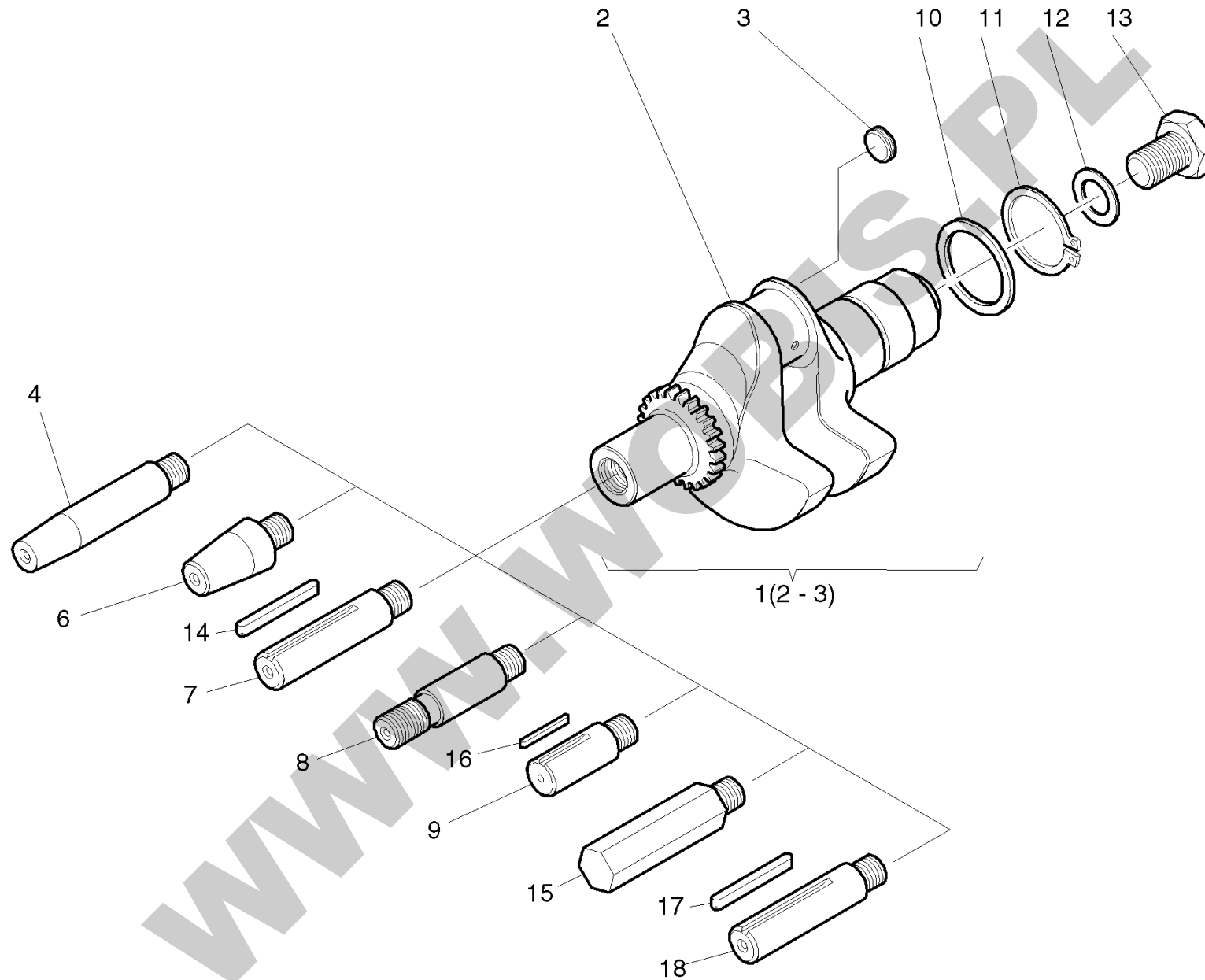


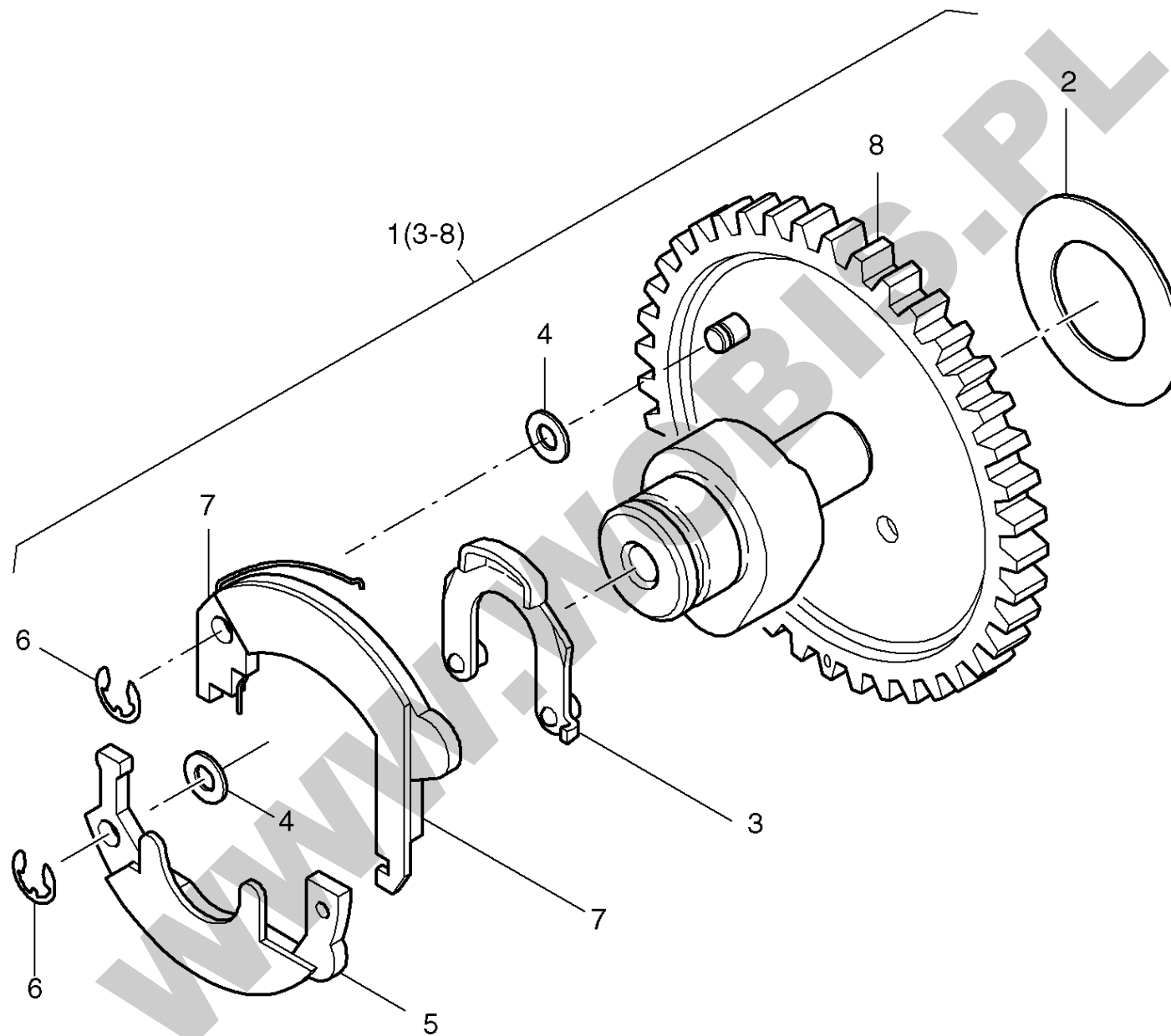
1(2-12,22,26-28)

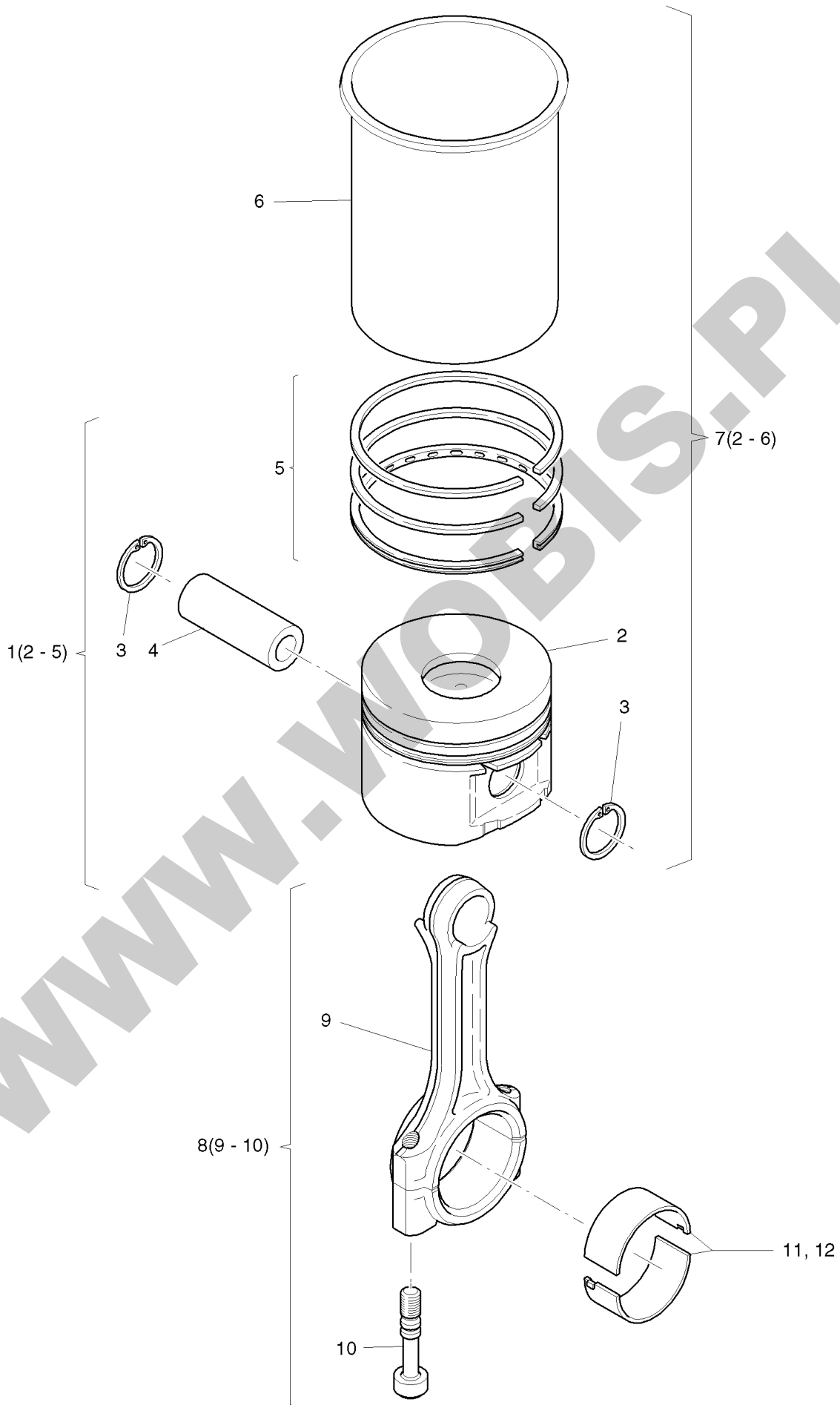
**ORYGINALNE CZĘŚCI ZAMIENNE SERWIS GWARANCYJNY I POGWARANCYJNY WYMIARY
SERWISOWE ORAZ KATALOGI CZĘŚCI ZAMIENNYCH NA STRONIE WWW.WOBIS.PL/SERWIS**

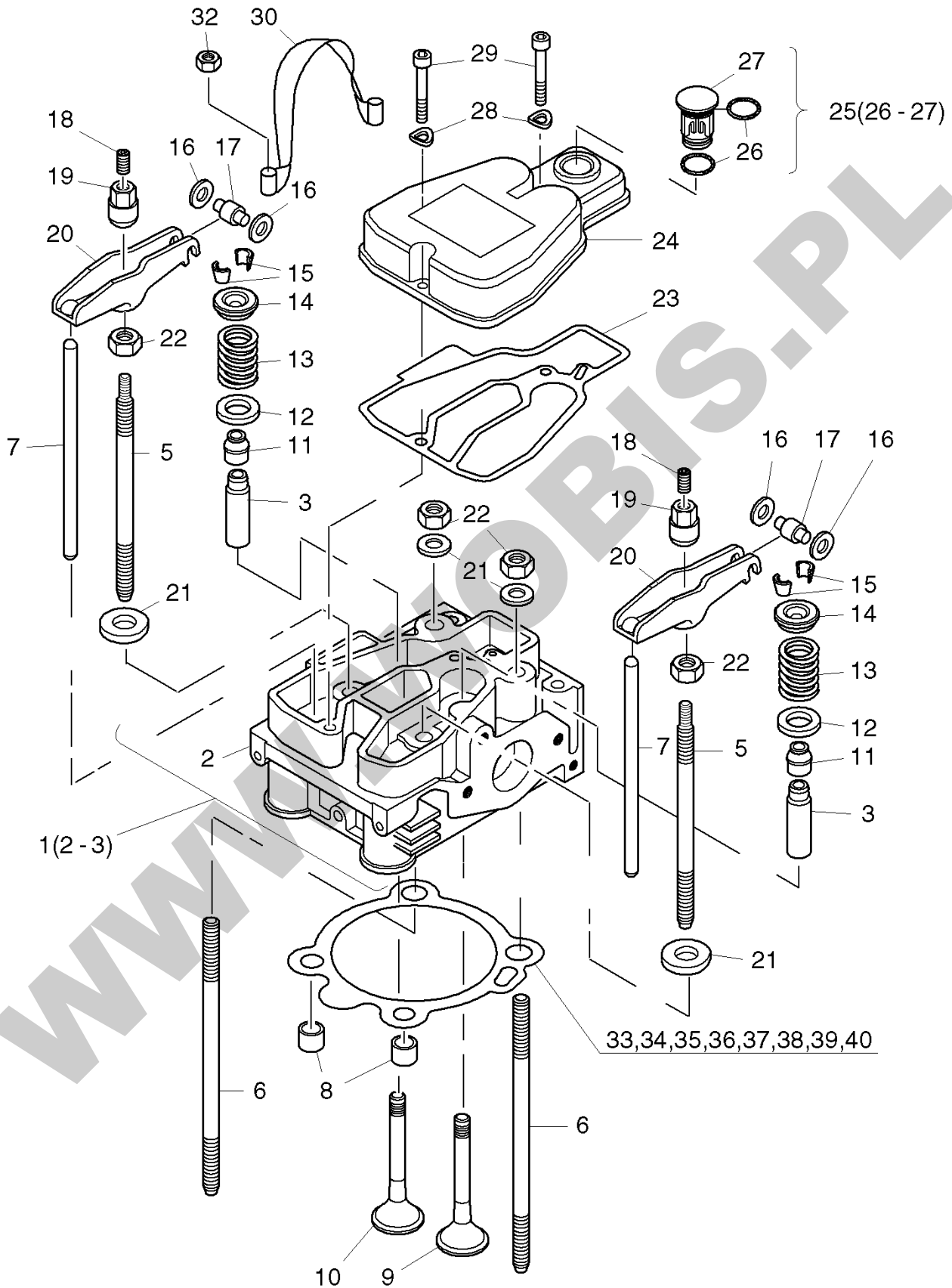
| Pos. | Part no. | Description | Qty. | Notice | Add. notice | kg | EA | TA | DA | dDPW | List price |
|------|----------|---------------------|------|--|-------------|-------|----|----|----|--------|------------|
| 1 | 01582700 | CRANKCASE | 1 | IMT 98580 | | 0,000 | 0 | 12 | 7 | | |
| 2 | _noorder | No single order | - | | | | | | | | |
| 3 | 03455000 | PLUG 6,5 X 7 | 1 | 6,5 x 7 | | 0,001 | 1 | 11 | 1 | | |
| 5 | 40002600 | BLINDRIVET3,2K44311 | 10 | 3,2 | | 0,001 | 4 | 11 | 1 | | |
| 6 | 01333100 | COVER SHEET | 1 | | | 0,018 | 1 | 11 | 1 | | |
| 7 | 05084300 | CONNECTING NIPPLE | 1 | | | 0,010 | 1 | 11 | 1 | | |
| 8 | 50440300 | O-RING 8 X1,5 | 1 | 8 x 1,5 | | 0,001 | 4 | 11 | 1 | D1 | |
| 9 | 50249101 | CYL.PIN 8M 6 X 20 | 1 | 8 M 6 x 20 DIN 6325 2-Fasen part was replaced by 50249102 | | 0,005 | 9 | 11 | 0 | | |
| 10 | _noorder | No single order | - | | | | | | | | |
| 11 | 50062300 | CLOS.SCREW M10X1 | 1 | M 10 x 1 DIN 908-5.8 A3C | | 0,005 | 4 | 11 | 1 | | |
| 12 | 04112800 | PLUG | 1 | | | 0,003 | 9 | 11 | 0 | | |
| 13 | 04112600 | SEALG.STRIP 419MM | 1 | 419 mm | | 0,009 | 1 | 11 | 0 | zzNein | |
| 14 | 50449800 | OIL SEAL 42X55X10 | 1 | 42 x 55 x 10 AS DIN 3760-ST | | 0,020 | 4 | 11 | 1 | zzNein | |
| 15 | 04115200 | GRUB SCREW | 1 | part was replaced by 04150600 | | 0,000 | 0 | 11 | 7 | | |
| 16 | 01316000 | DIPSTICK | 1 | | | 0,030 | 1 | 11 | 1 | | |
| 17 | 04125000 | SEALING RING | 1 | 26 x 35 x3 | | 0,002 | 1 | 11 | 1 | zzNein | |
| 18 | _noorder | No single order | - | | | | | | | | |
| 19 | 50208500 | SPRING WASHER 8 | 8 | 8 DIN 128 A3C | | 0,001 | 4 | 11 | 1 | zzNein | |
| 20 | 04121900 | ALL.SCR. M 8X 35 | 8 | M 8 x 35 A3C | | 0,016 | 1 | 11 | 1 | | |
| 21 | 04099302 | ENGINE BRACKET | 4 | | | 0,103 | 1 | 11 | 1 | | |
| 22 | 04105700 | TUBE F. OILFILTER | 1 | | | 0,088 | 9 | 11 | 0 | | |
| 23 | 01542702 | OIL SUCTION FILTER | 1 | part was replaced by 01542703 | | 0,038 | 0 | 11 | 7 | | |
| 24 | 50373100 | DRAIN PLG.MAGNT.M22 | 1 | AM22x1,5DIN7604A3C MAGN. | | 0,038 | 4 | 11 | 1 | W1 | |
| 25 | 50469800 | JOINT A22X27 | 1 | A 22 x 27 DIN 7603 - Vf | | 0,001 | 4 | 11 | 0 | W4,D2 | |
| 26 | 05036900 | HOSE CLIP | 2 | | | 0,003 | 4 | 11 | 1 | | |
| 27 | 04104400 | SUCTION BELL | 1 | part was replaced by 04163000 | | 0,042 | 0 | 11 | 7 | | |
| 28 | 04104500 | SIEVE | 1 | part was replaced by 04163000 | | 0,000 | 0 | 11 | 0 | | |
| 29 | 50449700 | GROOV.BALLBEAR.6309 | 1 | DIN 625 | | 0,826 | 4 | 11 | 1 | | |
| 30 | 04094400 | PLATE | 2 | | | 0,014 | 1 | 11 | 1 | | |

**ORYGINALNE CZĘŚCI ZAMIENNE SERWIS GWARANCYJNY I POGWARANCYJNY WYMIARY
SERWISOWE ORAZ KATALOGI CZĘŚCI ZAMIENNYCH NA STRONIE WWW.WOBIS.PL/SERWIS**



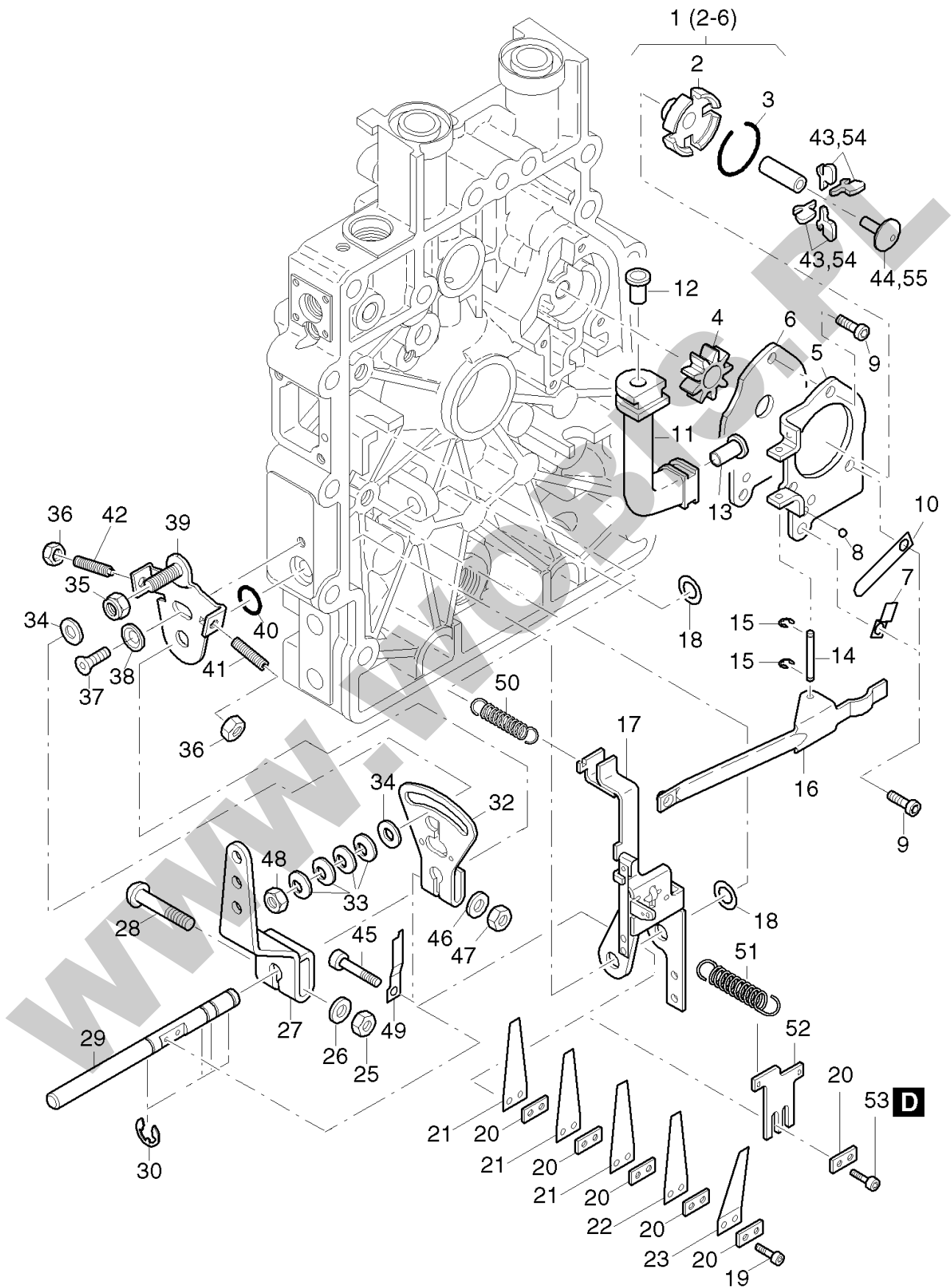






**ORYGINALNE CZĘŚCI ZAMIENNE SERWIS GWARANCYJNY I POGWARANCYJNY WYMIARY
SERWISOWE ORAZ KATALOGI CZĘŚCI ZAMIENNYCH NA STRONIE WWW.WOBIS.PL/SERWIS**

| Pos. | Part no. | Description | Qty. | Notice | Add. notice | kg | EA | TA | DA | dDPW | List price |
|------|----------|---------------------|------|-------------------------------|-------------|-------|----|----|----|--------|------------|
| 1 | 01529801 | CYLINDER HEAD | 1 | part run out no successor | | 1,780 | 1 | 11 | 0 | | |
| 2 | _noorder | No single order | - | | | | | | | | |
| 3 | 05129500 | VALVE GUIDE | 2 | | | 0,015 | 4 | 12 | 1 | | |
| 5 | 05097500 | STUD CYL.HEAD 141MM | 2 | 141 mm (M 10 - M 8) | | 0,065 | 1 | 11 | 1 | | |
| 6 | 05097400 | STUD CYL.HEAD 148MM | 2 | 148 mm (M 10) | | 0,071 | 1 | 11 | 1 | | |
| 7 | 05098900 | PUSHROD | 2 | 174,8 mm | | 0,032 | 1 | 11 | 1 | | |
| 8 | 04125401 | SEALG.RING CYL.HEAD | 2 | | | 0,000 | 0 | 11 | 7 | d2 | |
| 9 | 05093000 | VALVE INLET | 1 | | | 0,055 | 4 | 11 | 1 | | |
| 10 | 05093100 | VALVE EXHAUST | 1 | | | 0,039 | 4 | 11 | 1 | | |
| 11 | 50425800 | VALVE STEM SEAL CAP | 2 | | | 0,001 | 4 | 11 | 1 | d2 | |
| 12 | 04093700 | WASHER | 2 | | | 0,003 | 1 | 11 | 1 | | |
| 13 | 04113500 | VALVE SPRING | 2 | | | 0,017 | 1 | 11 | 1 | | |
| 14 | 04093800 | SPRING PLATE | 2 | | | 0,009 | 1 | 11 | 1 | | |
| 15 | 50425700 | COLLET | 2 | | | 0,001 | 4 | 11 | 1 | | |
| 16 | 50445100 | SUPP.DISK 6X12X1,2 | 4 | 6 x 12 x 1,2 DIN 988 | | 0,008 | 4 | 11 | 1 | | |
| 17 | 05091101 | SLIDER | 2 | | | 0,005 | 1 | 11 | 1 | | |
| 18 | 50358000 | GRUB SCREW M 8X10 | 2 | M 8 x 10 DIN 913 Tuf. FLEC | | 0,002 | 4 | 11 | 1 | W2 | |
| 19 | 05054700 | NUT F. ROCKERARM | 2 | | | 0,012 | 1 | 11 | 1 | | |
| 20 | 05098201 | ROCKER | 2 | part was replaced by 05098202 | | 0,066 | 0 | 11 | 7 | | |
| 21 | 05099300 | WASHER 10,1 X24X 3 | 4 | 10,1 x 24 x 3 | | 0,008 | 1 | 11 | 1 | | |
| 22 | 50396600 | HEXAGON NUT M 10 | 4 | M 10 DIN 934-10 A3C | | 0,010 | 4 | 11 | 1 | | |
| 23 | 05093301 | GASKET ZYL.HEAD COV | 1 | | | 0,005 | 1 | 11 | 1 | W4,d1 | |
| 24 | 05092701 | COVER F.CYL.HEAD | 1 | | | 0,350 | 0 | 11 | 7 | | |
| 25 | 01509600 | CLOSING PLUG | 1 | | | 0,017 | 1 | 11 | 3 | P1 | |
| 26 | 50425900 | O-RING 16 X 2 | 2 | 16 x 2 | | 0,001 | 4 | 11 | 3 | | |
| 27 | _noorder | No single order | - | | | | | | | | |
| 28 | 50081200 | SPRING WASHER A 6 | 2 | A 6 DIN 137 - A3C | | 0,001 | 4 | 11 | 1 | zzNein | |
| 29 | 50374900 | ALL.SCR.M 6X35 | 2 | M 6 x 35 DIN 912-8.8 A3C | | 0,010 | 4 | 11 | 1 | | |
| 30 | 04117701 | LIFTING STRAP | 1 | | | 0,005 | 1 | 11 | 1 | | |
| 32 | 50453200 | HEXAGON NUT M10 | 2 | | | 0,010 | 9 | 11 | 0 | | |

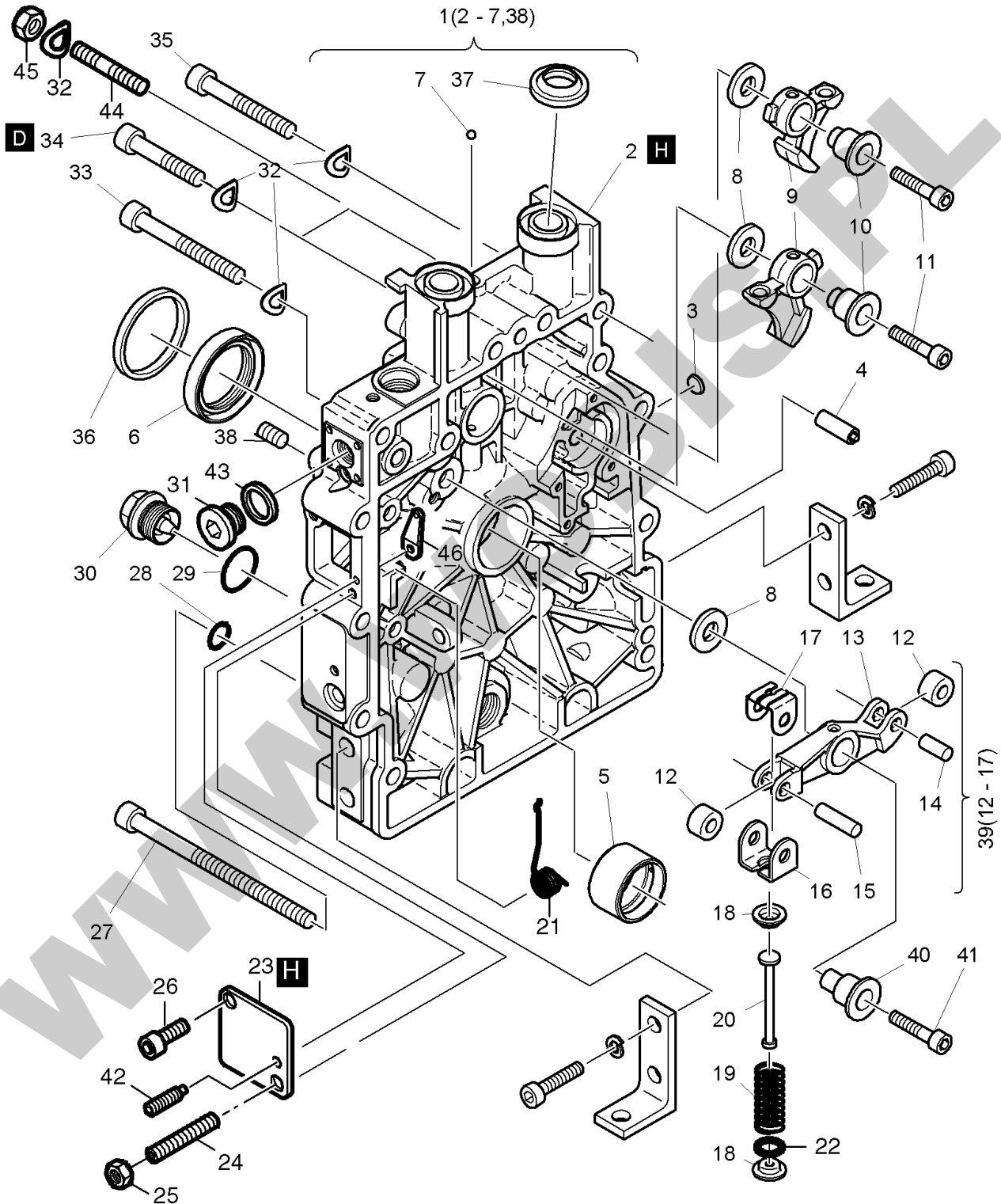


**ORYGINALNE CZĘŚCI ZAMIENNE SERWIS GWARANCYJNY I POGWARANCYJNY WYMIARY
SERWISOWE ORAZ KATALOGI CZĘŚCI ZAMIENNYCH NA STRONIE WWW.WOBIS.PL/SERWIS**

| Pos. | Part no. | Description | Qty. | Notice | Add. notice | kg | EA | TA | DA | dDPW | List price |
|------|----------|---------------------|--------|---|-------------|-------|----|----|----|------|------------|
| 1 | 01530210 | COVER F. OILPUMP | 1 | part was replaced by 01530211 | | 0,112 | 0 | 11 | 7 | | |
| 2 | _noorder | No single order | - | | | | | | | | |
| 3 | 50434901 | CIRCLIP RB 25 | 1 | RB25 DIN 7993 | | 0,003 | 9 | 11 | 0 | | |
| 4 | _noorder | No single order | - | | | | | | | | |
| 5 | _noorder | No single order | - | | | | | | | | |
| 6 | _noorder | No single order | - | | | | | | | | |
| 7 | 05097100 | RETAINING STRAP | 1 | | | 0,001 | 1 | 11 | 1 | | |
| 8 | 50447900 | BALL 3,5 MM G100 | 1 | 3,5mm KL. III | | 0,001 | 4 | 11 | 1 | | |
| 9 | 50429400 | ALL.SCR. M 5X 12 | 4 | M5 x 12 DIN 6912 - 8.8 | | 0,003 | 4 | 11 | 1 | | |
| 10 | 05097300 | FLAT SPRING 0,4 | 1 | 0,4 mm | | 0,001 | 1 | 11 | 1 | | |
| 11 | 04102900 | TUBE OIL SUCTION | 1 | | | 0,015 | 1 | 11 | 1 | | |
| 12 | 50447400 | TUBERIVET A8X0,5X12 | 1 | A8 x 0,5 x 12 DIN 7340 - St | | 0,005 | 4 | 11 | 1 | | |
| 13 | 50447500 | TUBERIVET 10X12 | 1 | A10 x 0,75 x 12 DIN 7340 - St | | 0,003 | 4 | 11 | 1 | | |
| 14 | 05078600 | SHAFT | 1 | | | 0,002 | 1 | 11 | 1 | | |
| 15 | 50434800 | CIRCLIP 1,9 | 2 | 1,9 DIN 6799 | | 0,001 | 4 | 11 | 1 | | |
| 16 | 05079400 | LEVER | 1 | part was replaced by 05079401 | | 0,000 | 0 | 11 | 7 | | |
| 17 | 01530402 | GOVERNOR LEVER | 1 | part was replaced by 01530403 | | 0,000 | 0 | 21 | 7 | | |
| 18 | 50125800 | DISC 8X14X0,5 | 0... 2 | 8 x 14 x 0,5 DIN 988 | | 0,001 | 4 | 11 | 1 | | |
| 18 | 50422400 | SHIM 8X14X1 | 0... 2 | 8 x 14 x 1,0 DIN 988 | | 0,001 | 4 | 11 | 1 | | |
| 19 | 50435000 | ALL.SCR. M 3 X 12 | 2 | M 3 x 12 DIN 912-8.8 | | 0,001 | 4 | 11 | 1 | | |
| 20 | 05079800 | INTERMED. PLATE | 1... 5 | | | 0,002 | 1 | 11 | 1 | | |
| 21 | 05131600 | GOVERNOR SPRING 0,2 | 1... 3 | 0,2 mm | | 0,001 | 1 | 21 | 1 | | |
| 22 | 05078900 | GOVERNOR SPRING 0,3 | 1 | 0,3 mm | | 0,002 | 1 | 21 | 1 | | |
| 23 | 05148600 | STOP SPRING | 1 | 0,4 mm | | 0,002 | 1 | 21 | 1 | | |
| 25 | 50144400 | HEXAGON NUT M 6 | 1 | M 6 DIN 934 - 8 A3C | | 0,002 | 4 | 11 | 1 | | |
| 26 | 50144500 | FLAT WASHER 6,4 | 1 | 6,4 DIN 125-St A3C | | 0,001 | 4 | 11 | 1 | | |
| 27 | 04095600 | LEVER | 1 | | | 0,062 | 1 | 11 | 1 | | |
| 28 | 03927300 | SCREW M 6X 32 | 1 | M 6 x 32 part was replaced by 03927301 | | 0,000 | 0 | 11 | 0 | | |
| 29 | 05079300 | SHAFT | 1 | part was replaced by 05079301 | | 0,043 | 0 | 11 | 7 | | |

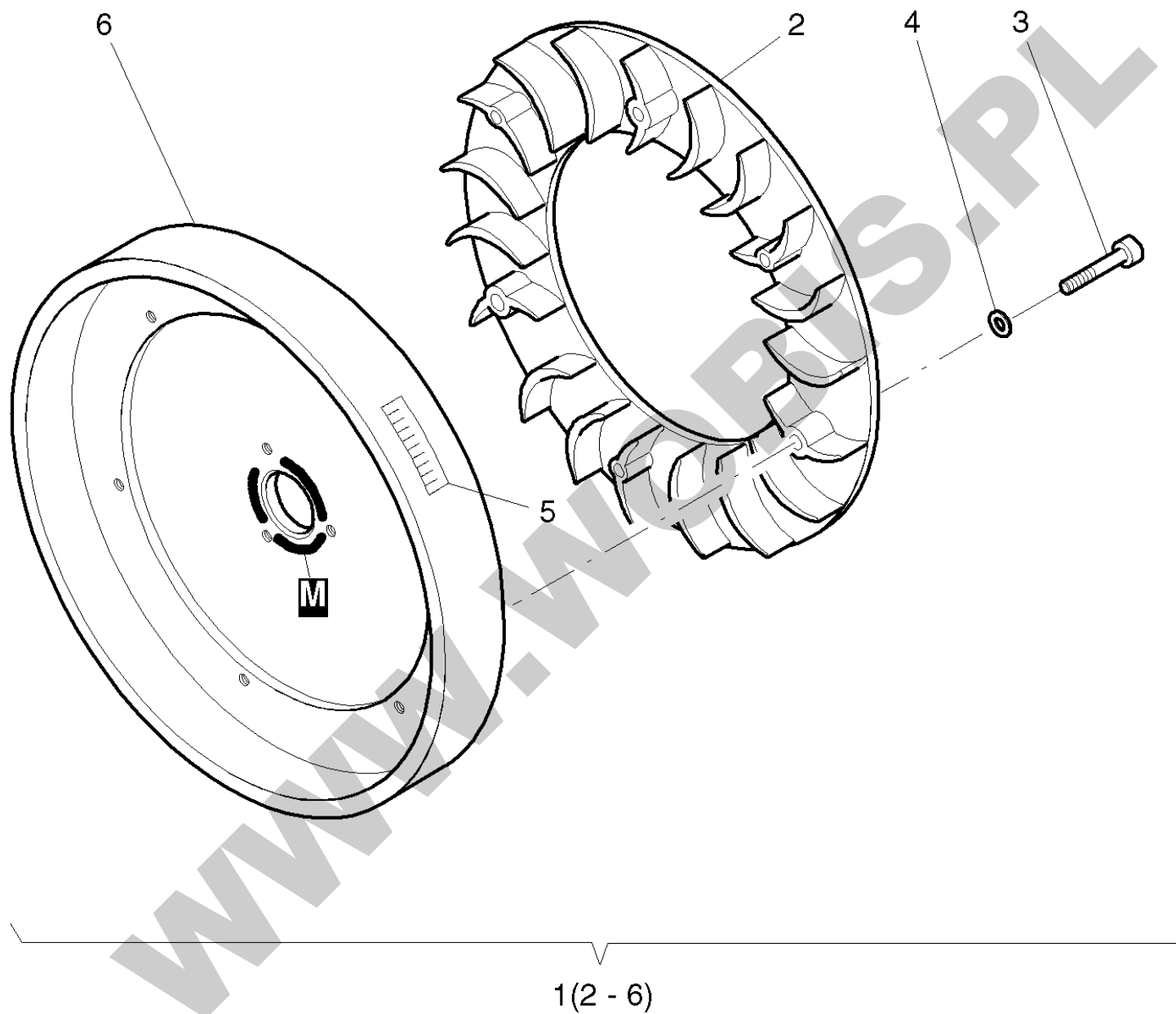
**ORYGINALNE CZĘŚCI ZAMIENNE SERWIS GWARANCYJNY I POGWARANCYJNY WYMIARY
SERWISOWE ORAZ KATALOGI CZĘŚCI ZAMIENNYCH NA STRONIE WWW.WOBIS.PL/SERWIS**

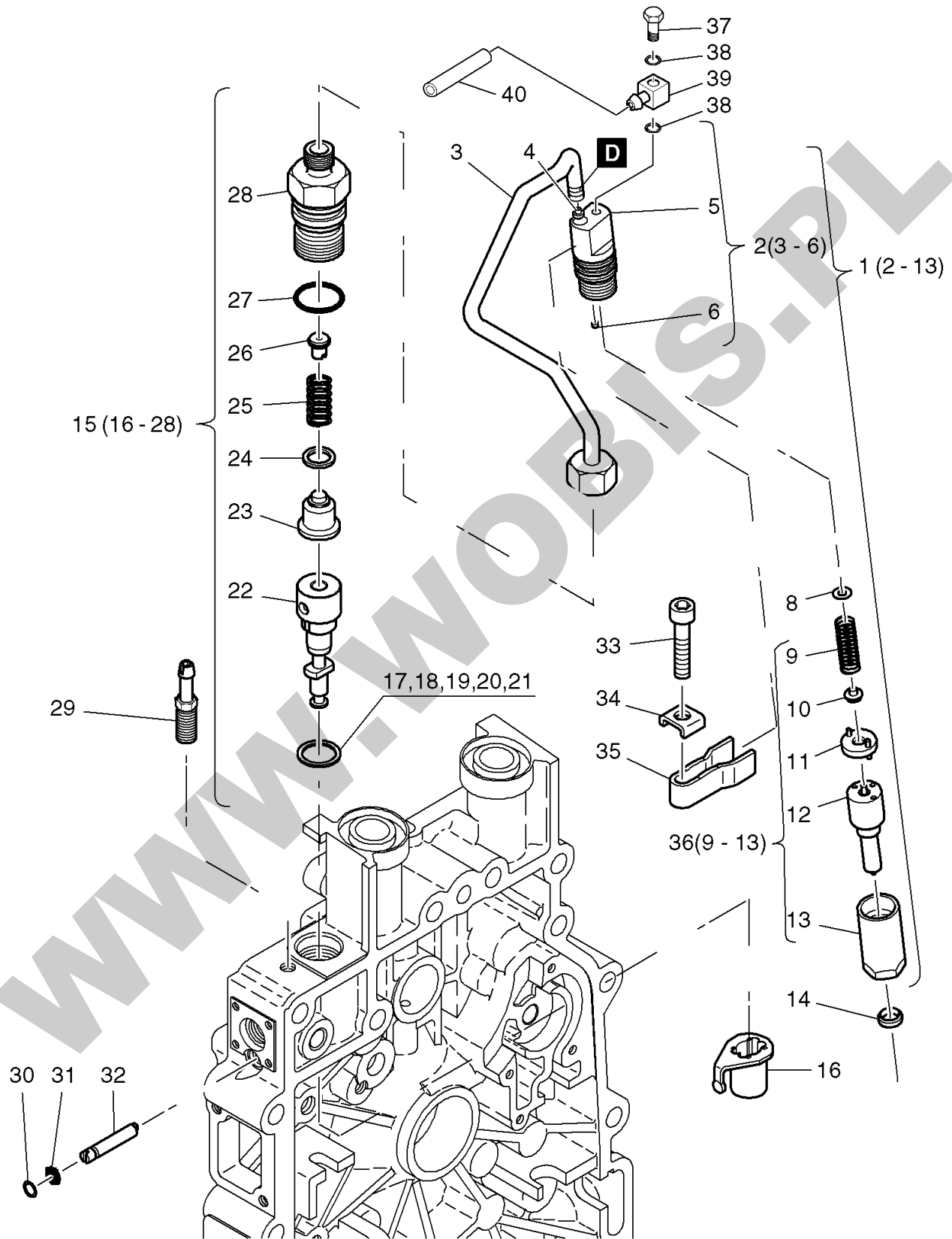
| Pos. | Part no. | Description | Qty. | Notice | Add. notice | kg | EA | TA | DA | dDPW | List price |
|------|----------|---------------------|--------|--|-------------|-------|----|----|----|--------|------------|
| 30 | 50092700 | CIRCLIP 7 | 4 | 7 DIN 6799 A3C | | 0,001 | 4 | 11 | 1 | | |
| 32 | 01333000 | CONSOLE | 1 | | | 0,090 | 9 | 11 | 0 | | |
| 33 | 50346900 | PLATE SPRING | 4 | 12 x 6,2 x 0,6 DIN 2093 | | 0,001 | 4 | 11 | 1 | | |
| 34 | 05110010 | DISC 7,1X17,9X2 | 2 | 7,1 x 17,9 x 2 | | 0,001 | 1 | 11 | 1 | | |
| 35 | 40028300 | HEX.NUT M 6 | 1 | VM 6 DIN 980 C3P | | 0,003 | 4 | 11 | 1 | | |
| 36 | 50144400 | HEXAGON NUT M 6 | 2 | M 6 DIN 934 - 8 A3C | | 0,002 | 4 | 11 | 1 | | |
| 37 | 50423900 | CTR.SUNK SCR.M6X 20 | 1 | M 6 x 20 DIN 7991-10.9 A3C | | 0,005 | 4 | 11 | 1 | | |
| 38 | 04122900 | DISC | 1 | | | 0,001 | 1 | 11 | 0 | | |
| 39 | 01316402 | SUPPORT | 1 | part was replaced by 01356100 | | 0,038 | 0 | 11 | 7 | | |
| 40 | 40022401 | O-RING 8 X 2 GRAY | 1 | 8 x 2 FPM 75 MOLYKOT. | | 0,002 | 4 | 11 | 1 | zzNein | |
| 41 | 50004200 | GRUB SCREW M 6X20 | 0... 1 | M 6 x 20 DIN 915 45H | | 0,004 | 4 | 21 | 0 | | |
| 41 | 50138100 | THREADED PIN M 6X35 | 1... 2 | M6 x 35 DIN 915 45H | | 0,005 | 4 | 11 | 0 | | |
| 42 | 50004200 | GRUB SCREW M 6X20 | 0... 1 | M 6 x 20 DIN 915 45H | | 0,004 | 4 | 21 | 0 | | |
| 43 | 05079601 | CENTRIFUGAL WEIGHT | 8 | | | 0,002 | 0 | 11 | 7 | | |
| 44 | 05078501 | GOVERNOR SLEEVE | 1 | part was replaced by 05078502 | | 0,004 | 0 | 11 | 7 | | |
| 45 | 50427100 | ALL.SCR. M 5X 25 | 1 | M 5 x 25 DIN 912 - 8.8 A3C | | 0,005 | 4 | 11 | 1 | | |
| 46 | 50216300 | WASHER 5,3 | 1 | 5,3 DIN 125-St A3C | | 0,001 | 4 | 11 | 1 | | |
| 47 | 50094300 | HEXAGON NUT M 5 | 1 | M 5 DIN 934-8 A3C | | 0,001 | 4 | 11 | 1 | | |
| 48 | 50456000 | HEXAGON NUT M 6 | 1 | M 6 | | 0,002 | 9 | 11 | 0 | | |
| 49 | 04122800 | PLATE SPRING | 1 | | | 0,003 | 1 | 21 | 0 | | |
| 50 | 04000200 | TENSION SPRING | 1 | | | 0,001 | 1 | 11 | 1 | | |
| 51 | 05130900 | GOVERNOR SPRING | 1 | | | 0,003 | 1 | 11 | 0 | | |
| 52 | 05130800 | STOP | 1 | | | 0,007 | 1 | 11 | 1 | | |
| 53 | 50465300 | ALL.SCR.M 3X 8 | 2 | M 3 x 8 DIN 912-8.8 | | 0,001 | 4 | 11 | 1 | | |
| 54 | 05146900 | CENTRIFUGAL WEIGHT | 4 | Generator part was replaced by 05079602 | | 0,002 | 0 | 21 | 7 | | |
| 55 | 05147000 | GOVERNOR SLEEVE | 1 | part was replaced by 05147001 | | 0,000 | 0 | 21 | 7 | | |
| D | 50223300 | LOCTITE 221 | 1 | 50 ML | | 0,077 | 4 | 12 | 0 | | |
| | | | | | | | | | | | |
| | | | | | | | | | | | |



**ORYGINALNE CZĘŚCI ZAMIENNE SERWIS GWARANCYJNY I POGWARANCYJNY WYMIARY
SERWISOWE ORAZ KATALOGI CZĘŚCI ZAMIENNYCH NA STRONIE WWW.WOBIS.PL/SERWIS**

| Pos. | Part no. | Description | Qty. | Notice | Add. notice | kg | EA | TA | DA | dDPW | List price |
|------|----------|--------------------|------|--|-------------|-------|----|----|----|------|------------|
| 1 | 01319503 | TIMING COVER | 1 | IMT 98577 | | 0,000 | 0 | 11 | 7 | | |
| 2 | _noorder | No single order | - | | | | | | | | |
| 3 | _noorder | No single order | - | | | | | | | | |
| 4 | 01533900 | BOLT F.GOV.HOUSING | 1 | | | 0,009 | 1 | 11 | 1 | | |
| 5 | 05053100 | MAIN BEARING | 1 | | | 0,025 | 4 | 11 | 1 | | |
| 5 | 04124800 | MAIN BEARING -0,5 | 1 | -0,5 mm | | 0,035 | 4 | 14 | 1 | | |
| 6 | 40033700 | OIL SEAL 30X47X8 | 1 | 30 x 47 x 8 part was replaced by 40033701 | | 0,000 | 0 | 11 | 7 | D1 | |
| 7 | 50443400 | BALL 5,5 MM G28 | 1 | 5,5 G20 DIN 5401 | | 0,001 | 0 | 11 | 1 | | |
| 8 | 03794100 | WASHER | 3 | 10,1 x 22 x 3 | | 0,006 | 1 | 11 | 1 | | |
| 9 | 05053400 | CAM FOLLOWER | 2 | | | 0,040 | 1 | 11 | 1 | | |
| 10 | 03794201 | CAM FOLLOW SPINDLE | 2 | | | 0,018 | 1 | 11 | 1 | | |
| 11 | 50457900 | ALL.SCR. M 6X 25 | 2 | M 6 x 25 DIN 912 - 10.9 | | 0,007 | 4 | 11 | 1 | | |
| 12 | _noorder | No single order | - | | | | | | | | |
| 13 | _noorder | No single order | - | | | | | | | | |
| 14 | _noorder | No single order | - | | | | | | | | |
| 15 | _noorder | No single order | - | | | | | | | | |
| 16 | _noorder | No single order | - | | | | | | | | |
| 17 | _noorder | No single order | - | | | | | | | | |
| 18 | 04094802 | CUP | 2 | | | 0,003 | 1 | 11 | 1 | | |
| 19 | 04095700 | PRESSURE SPRING | 1 | | | 0,017 | 1 | 11 | 1 | | |
| 20 | 04094700 | DRAW ROD | 1 | | | 0,007 | 1 | 11 | 1 | | |
| 21 | 05095210 | SPRING F.GOVERNOR | 1 | | | 0,007 | 1 | 11 | 1 | | |
| 22 | 04133900 | DISC 10,7X19X0,5 | 1 | 10,7 x 16 x 0,5 | | 0,001 | 1 | 11 | 1 | | |
| 23 | 04095210 | COVER | 1 | | | 0,035 | 1 | 11 | 1 | | |
| 24 | 50448901 | GRUB SCREW M 6X 30 | 1 | M 6 x 30 DIN 913 22 H A3C Tuf. 360 G | | 0,005 | 4 | 11 | 1 | | |
| 25 | 50144400 | HEXAGON NUT M 6 | 1 | M 6 DIN 934 - 8 A3C | | 0,002 | 4 | 11 | 1 | | |
| 26 | 50384200 | ALL.SCR.M 6X 12 | 1 | M 6x12 DIN 912-8.8 A3C Tuf. 360 G | | 0,005 | 4 | 11 | 1 | | |
| 27 | 50463000 | ALL.SCR. M 8X130 | 2 | M 8 x 130 DIN 912 - 8.8 A3C | | 0,054 | 4 | 11 | 1 | | |
| 28 | 50162900 | JOINT A 8 X14 | 2 | A 8 x 14 DIN 7603 - Cu | | 0,005 | 4 | 11 | 1 | D2 | |



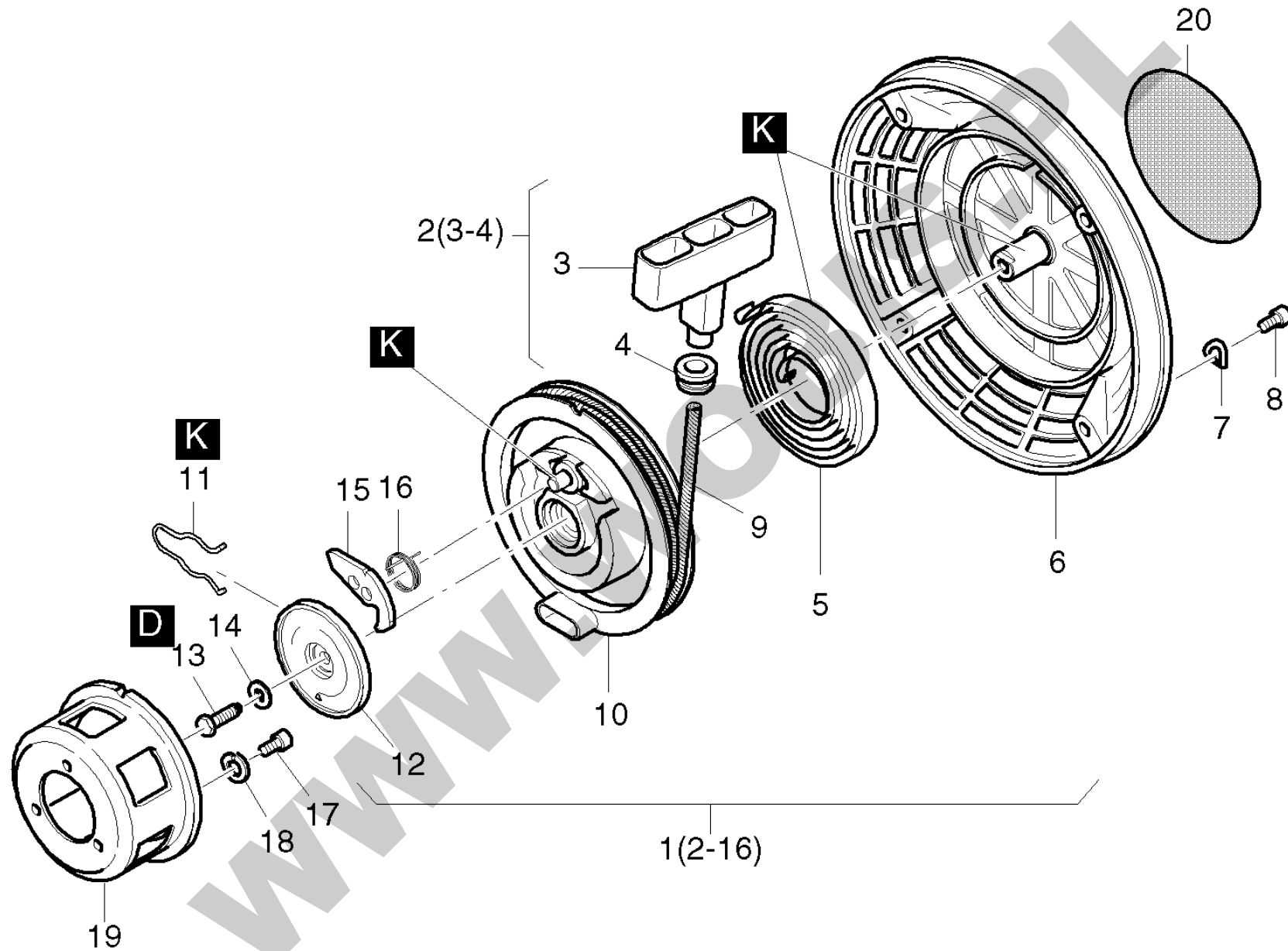


**ORYGINALNE CZĘŚCI ZAMIENNE SERWIS GWARANCYJNY I POGWARANCYJNY WYMIARY
SERWISOWE ORAZ KATALOGI CZĘŚCI ZAMIENNYCH NA STRONIE WWW.WOBIS.PL/SERWIS**

| Pos. | Part no. | Description | Qty. | Notice | Add. notice | kg | EA | TA | DA | dDPW | List price |
|------|----------|---------------------|--------|-------------------------------|-------------|-------|----|----|----|------|------------|
| 1 | 01328800 | INJECTOR CPL. | 1 | part was replaced by 01363200 | | 0,000 | 0 | 11 | 7 | | |
| 2 | 01582800 | NOZZLE HOLD.+PIPE | 1 | part was replaced by 01363200 | | 0,170 | 0 | 12 | 0 | | |
| 3 | _noorder | No single order | - | | | | | | | | |
| 4 | 05096101 | SEALING CONE | 0... 1 | 4,9 mm s. 95125801 | | 0,001 | 1 | 11 | 1 | | |
| 4 | 05070601 | SEALING CONE | 0... 1 | 5,3 mm s. 95125802 | | 0,001 | 1 | 11 | 1 | | |
| 5 | _noorder | No single order | - | | | | | | | | |
| 6 | 05081500 | SEALING CONE F.INJC | 1 | | | 0,001 | 1 | 11 | 0 | | |
| 8 | 50436400 | SHIM 1,0 | 0... 1 | 1,00 mm | | 0,001 | 4 | 11 | 1 | | |
| 8 | 50436500 | SHIM 1,04 | 0... 1 | 1,04 mm | | 0,001 | 4 | 11 | 1 | | |
| 8 | 50436600 | SHIM 1,10 | 0... 1 | 1,10 mm | | 0,001 | 4 | 11 | 1 | | |
| 8 | 50436700 | SHIM 1,14 | 0... 1 | 1,14 mm | | 0,001 | 4 | 11 | 1 | | |
| 8 | 50436800 | SHIM 1,20 | 0... 1 | 1,20 mm | | 0,001 | 4 | 11 | 1 | | |
| 8 | 50436900 | SHIM 1,24 | 0... 1 | 1,24 mm | | 0,001 | 4 | 11 | 1 | | |
| 8 | 50437000 | SHIM 1,30 | 0... 1 | 1,30 mm | | 0,003 | 4 | 11 | 1 | | |
| 8 | 50437100 | SHIM 1,34 | 0... 1 | 1,34 mm | | 0,001 | 4 | 11 | 1 | | |
| 8 | 50437200 | SHIM 1,40 | 0... 1 | 1,40 mm | | 0,001 | 4 | 11 | 1 | | |
| 8 | 50437300 | SHIM 1,44 | 0... 1 | 1,44 mm | | 0,001 | 4 | 11 | 1 | | |
| 8 | 50437400 | SHIM 1,50 | 0... 1 | 1,50 mm | | 0,001 | 4 | 11 | 1 | | |
| 8 | 50437500 | SHIM 1,54 | 0... 1 | 1,54 mm | | 0,001 | 4 | 11 | 1 | | |
| 8 | 50437600 | SHIM 1,60 | 0... 1 | 1,60 mm | | 0,001 | 4 | 11 | 1 | | |
| 8 | 50437700 | SHIM 1,64 | 0... 1 | 1,64 mm | | 0,001 | 4 | 11 | 1 | | |
| 8 | 50437800 | SHIM 1,70 | 0... 1 | 1,70 mm | | 0,002 | 4 | 11 | 1 | | |
| 8 | 50437900 | SHIM 1,74 | 0... 1 | 1,74 mm | | 0,001 | 4 | 11 | 1 | | |
| 8 | 50438000 | SHIM 1,80 | 0... 1 | 1,80 mm | | 0,001 | 4 | 11 | 1 | | |
| 8 | 50438100 | SHIM 1,84 | 0... 1 | 1,84 mm | | 0,005 | 4 | 11 | 1 | | |
| 8 | 50438200 | SHIM 1,90 | 0... 1 | 1,90 mm | | 0,001 | 4 | 11 | 1 | | |
| 8 | 50438300 | SHIM 1,94 | 0... 1 | 1,94 mm | | 0,001 | 4 | 11 | 1 | | |
| 9 | _noorder | No single order | - | | | | | | | | |
| 10 | _noorder | No single order | - | | | | | | | | |
| 11 | _noorder | No single order | - | | | | | | | | |

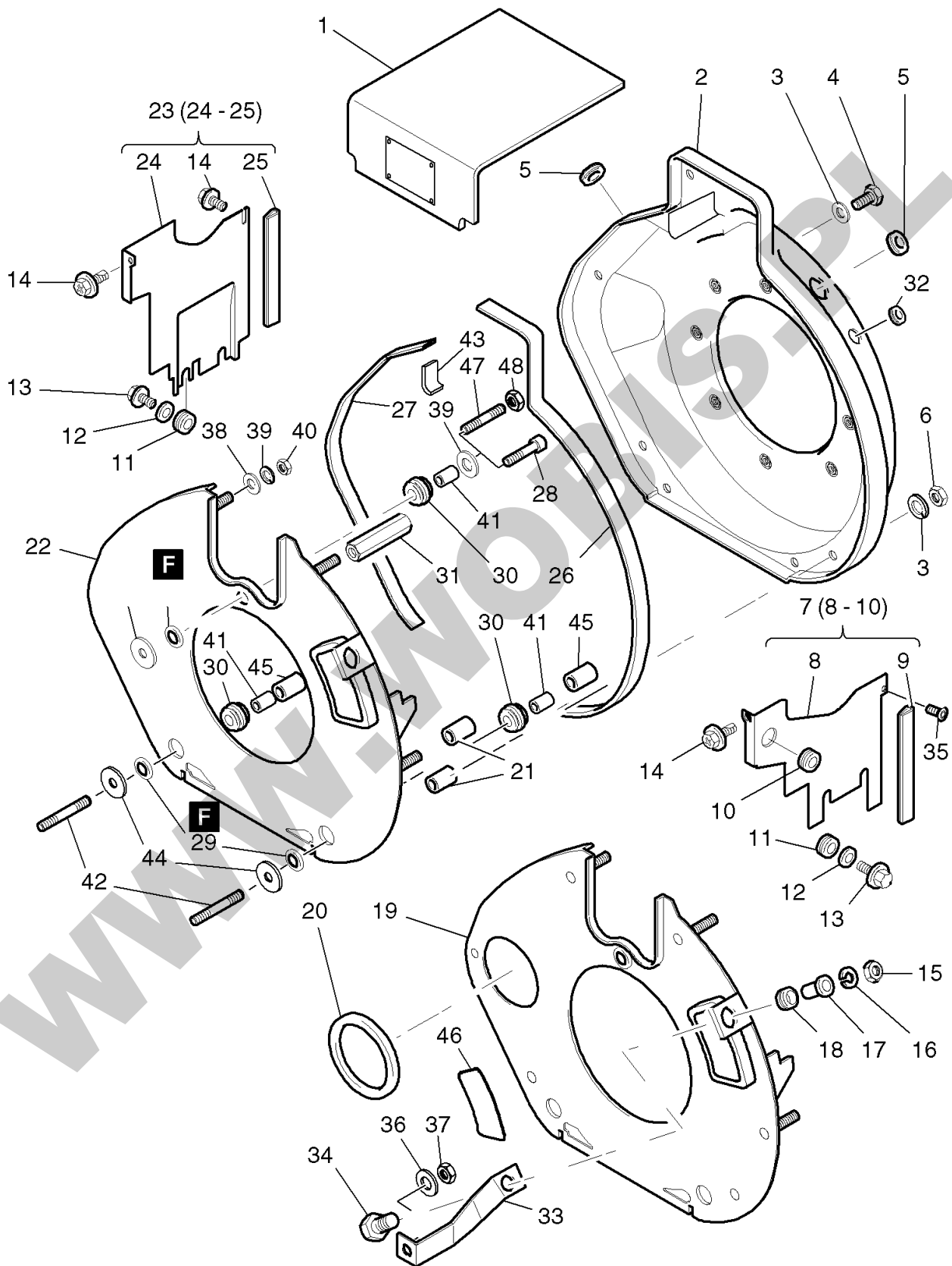
**ORYGINALNE CZĘŚCI ZAMIENNE SERWIS GWARANCYJNY I POGWARANCYJNY WYMIARY
SERWISOWE ORAZ KATALOGI CZĘŚCI ZAMIENNYCH NA STRONIE WWW.WOBIS.PL/SERWIS**

| Pos. | Part no. | Description | Qty. | Notice | Add. notice | kg | EA | TA | DA | dDPW | List price |
|------|----------|---------------------|--------|-------------------------------|-------------|-------|----|----|----|------|------------|
| 12 | 50442200 | INJECTION NOZZLE | 1 | NON EPA | | 0,030 | 4 | 13 | 0 | P1 | |
| 13 | _noorder | No single order | - | | | | | | | | |
| 14 | 05070500 | JOINT WASH.F.INJECT | 1 | | | 0,001 | 1 | 11 | 1 | d1 | |
| 15 | 01582900 | INJECTION PUMP | 1 | part was replaced by 01582901 | | 0,200 | 0 | 12 | 7 | | |
| 16 | 01330801 | CONTROL SLEEVE | 1 | | | 0,084 | 1 | 11 | 1 | | |
| 17 | 04096300 | SHIM 14X18X0,2 | 0... 1 | 0,2 mm | | 0,001 | 1 | 11 | 1 | | |
| 18 | 04096400 | SHIM 14X18X0,3 | 0... 1 | 0,3 mm | | 0,001 | 1 | 11 | 1 | | |
| 19 | 04096500 | SHIM 14X18X0,4 | 0... 1 | 0,4 mm | | 0,001 | 1 | 11 | 1 | | |
| 20 | 04096600 | SHIM 14X18X0,5 | 0... 1 | 0,5 mm | | 0,003 | 1 | 11 | 1 | | |
| 21 | 04096700 | SHIM 14X18X0,6 | 0... 1 | 0,6 mm | | 0,003 | 1 | 11 | 1 | | |
| 22 | _noorder | No single order | - | | | | | | | | |
| 23 | _noorder | No single order | - | | | | | | | | |
| 24 | 50476900 | JOINT WASHER | 1 | 9,5 x 13 x 0,5 | | 0,002 | 4 | 11 | 1 | | |
| 25 | _noorder | No single order | - | | | | | | | | |
| 26 | _noorder | No single order | - | | | | | | | | |
| 27 | 50489200 | O-RING 17 X 2 | 1 | 17 x 2 | | 0,001 | 4 | 11 | 1 | | |
| 28 | 04162000 | DELIV.VALVE HOLDER | 1 | part was replaced by 50445900 | | 0,000 | 0 | 11 | 7 | | |
| 29 | 05084201 | CONNECTING NIPPLE | 1 | | | 0,008 | 1 | 11 | 1 | | |
| 30 | 50476000 | DISC 8 | 1 | 8 DIN 470 Al | | 0,001 | 4 | 11 | 1 | | |
| 31 | 50433900 | O-RING 3,3 X 1,0 | 1 | 3,3 x 1,0 | | 0,001 | 4 | 11 | 0 | | |
| 32 | 04097700 | ECCENTRIC PIN | 1 | | | 0,004 | 1 | 11 | 0 | | |
| 33 | 50323900 | ALL.SCR.M 6X 30 | 1 | M 6 x 30 DIN 912-8.8 A3C | | 0,009 | 4 | 11 | 1 | | |
| 34 | 05089300 | RETAINING YOKE | 1 | 6,4 | | 0,003 | 1 | 11 | 1 | | |
| 35 | 05056700 | FORK F. INJECTOR | 1 | | | 0,015 | 1 | 11 | 1 | | |
| 36 | 01328900 | PARTS SET NOZZLE | 1 | part was replaced by 01798700 | | 0,054 | 0 | 11 | 0 | | |
| 37 | 50464500 | HEXSCREW AM 4 X 16 | 1 | AM 4 x 16 DIN 7513 St. Zn | | 0,006 | 4 | 11 | 0 | | |
| 38 | 50110800 | JOINT A 4X8 | 2 | A4 x 8 DIN 7603-Cu | | 0,001 | 4 | 11 | 1 | | |
| 39 | 05129000 | CONNECTING NIPPLE | 1 | | | 0,002 | 1 | 11 | 1 | | |
| 40 | 05130300 | HOSE 2,5X 295 MM | 1 | 2,5 x 295 | | 0,008 | 1 | 11 | 0 | | |
| D | 50223300 | LOCTITE 221 | 1 | 50 ML | | 0,077 | 4 | 12 | 0 | | |



**ORYGINALNE CZĘŚCI ZAMIENNE SERWIS GWARANCYJNY I POGWARANCYJNY WYMIARY
SERWISOWE ORAZ KATALOGI CZĘŚCI ZAMIENNYCH NA STRONIE WWW.WOBIS.PL/SERWIS**

| Pos. | Part no. | Description | Qty. | Notice | Add. notice | kg | EA | TA | DA | dDPW | List price |
|------|----------|---------------------|------|--|-------------|-------|----|----|----|--------|------------|
| 1 | 01515002 | RECOIL-STARTER | 1 | part was replaced by 01865200 | | 0,796 | 0 | 11 | 7 | | |
| 2 | 01497800 | HANDLE F.REV.START | 1 | | | 0,022 | 1 | 12 | 1 | | |
| 3 | _noorder | No single order | - | | | | | | | | |
| 4 | 03665200 | RUBBER SLEEVE | 1 | | | 0,002 | 1 | 11 | 1 | | |
| 5 | 05045201 | RETURN SPRING | 1 | part was replaced by 05045202 | | 0,092 | 0 | 11 | 7 | | |
| 6 | 01569300 | HOUSING F.RECOIL-ST | 1 | | | 0,476 | 1 | 12 | 1 | | |
| 7 | 50081200 | SPRING WASHER A 6 | 4 | A 6 DIN 137 - A3C | | 0,001 | 4 | 11 | 1 | zzNein | |
| 8 | 50062700 | ALL.SCR.M 6X 10 | 1 | M 6 x 10 DIN 912 - 8.8 A3C | | 0,003 | 4 | 11 | 1 | | |
| 9 | 05088901 | ROPE RECL.STR1750MM | 1 | 1750 mm 1 B 30/40 part was replaced by 01929000 | | 0,025 | 0 | 11 | 5 | | |
| 10 | _noorder | No single order | - | | | | | | | | |
| 11 | 05044901 | BRAKE SPRING | 1 | | | 0,003 | 1 | 11 | 1 | | |
| 12 | 05045001 | BRAKE DISC | 1 | | | 0,011 | 1 | 11 | 1 | | |
| 13 | 50146300 | HEXSCREW M 6X 18 | 1 | M 6 x 18 DIN 933-8.8 A3C | | 0,005 | 4 | 11 | 1 | | |
| 14 | 50165600 | SPRING WASHER6,5X14 | 1 | 6,5 x 14 DIN 6904 A3C | | 0,001 | 9 | 11 | 0 | | |
| 15 | 05044800 | RATCHET F.REV.START | 1 | | | 0,026 | 1 | 11 | 1 | | |
| 16 | 05061300 | RETURN SPRING | 1 | | | 0,001 | 1 | 11 | 1 | | |
| 17 | 50062700 | ALL.SCR.M 6X 10 | 3 | M 6 x 10 DIN 912 - 8.8 A3C | | 0,003 | 4 | 11 | 1 | | |
| 18 | 50170900 | SPRING WASHER 6 | 3 | 6 DIN 128 - A3C | | 0,001 | 4 | 11 | 1 | | |
| 19 | 50445800 | DRIVING SLEEVE | 1 | part was replaced by 04155000 | | 0,171 | 0 | 11 | 7 | | |
| 20 | 05109100 | STICKER LABEL | 1 | | | 0,000 | 0 | 11 | 7 | | |
| D | 50223300 | LOCTITE 221 | 1 | 50 ML | | 0,077 | 4 | 12 | 0 | | |
| K | 50342600 | GREASE START.DEVICE | 1 | 100 GRAMM part was replaced by 50342601 | | 0,100 | 0 | 12 | 0 | | |
| | | | | | | | | | | | |
| | | | | | | | | | | | |
| | | | | | | | | | | | |
| | | | | | | | | | | | |
| | | | | | | | | | | | |
| | | | | | | | | | | | |

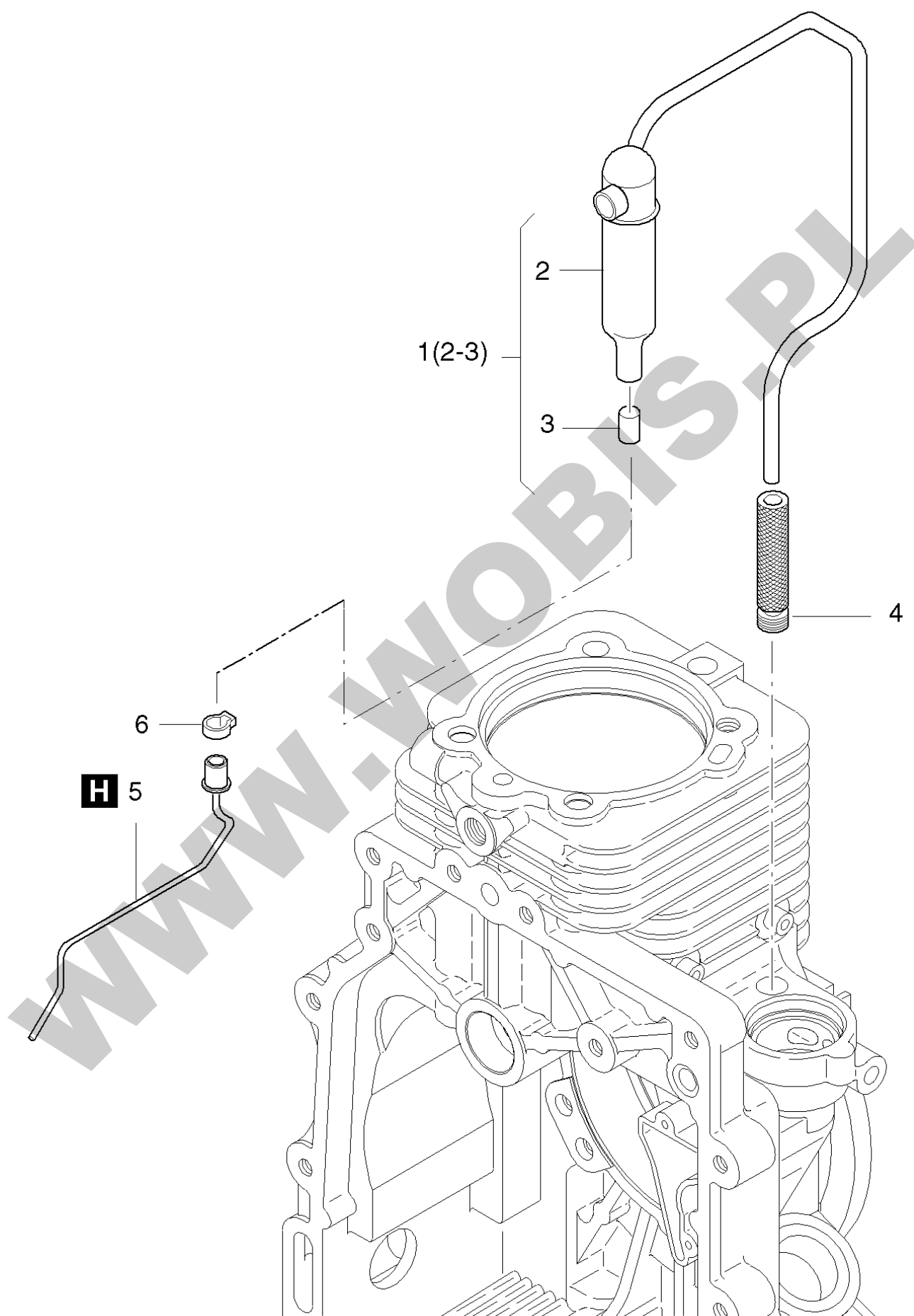


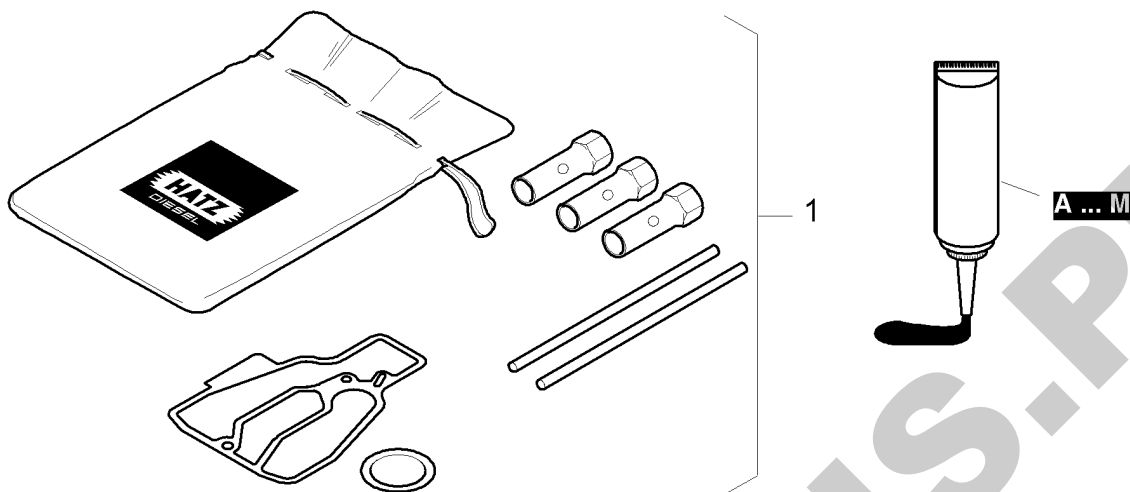
**ORYGINALNE CZĘŚCI ZAMIENNE SERWIS GWARANCYJNY I POGWARANCYJNY WYMIARY
SERWISOWE ORAZ KATALOGI CZĘŚCI ZAMIENNYCH NA STRONIE WWW.WOBIS.PL/SERWIS**

| Pos. | Part no. | Description | Qty. | Notice | Add. notice | kg | EA | TA | DA | dDPW | List price |
|------|----------|---------------------|------|---------------------------|-------------|-------|----|----|----|------|------------|
| 1 | 01551401 | HOOD | 1 | | | 0,292 | 1 | 11 | 1 | | |
| 2 | 01551301 | BLOWER DUCTING | 1 | part run out no successor | | 0,000 | 0 | 11 | 7 | | |
| 3 | 50170900 | SPRING WASHER 6 | 7 | 6 DIN 128 - A3C | | 0,001 | 4 | 11 | 1 | | |
| 4 | 50146300 | HEXSCREW M 6X 18 | 1 | M 6 x 18 DIN 933-8.8 A3C | | 0,005 | 4 | 11 | 1 | | |
| 5 | _noorder | No single order | - | | | | | | | | |
| 6 | 50144400 | HEXAGON NUT M 6 | 6 | M 6 DIN 934 - 8 A3C | | 0,002 | 4 | 11 | 1 | | |
| 7 | 01326300 | COOLING AIR DUCTING | 1 | | | 0,143 | 1 | 11 | 1 | | |
| 8 | _noorder | No single order | - | | | | | | | | |
| 9 | 05128900 | SEALING STRIP 80MM | 1 | 80 mm | | 0,006 | 1 | 11 | 1 | | |
| 10 | 50334800 | RUBBER SLEEVE | 1 | | | 0,001 | 4 | 11 | 1 | | |
| 11 | 50163801 | RUBBER SLEEVE | 3 | | | 0,001 | 4 | 11 | 1 | | |
| 12 | 50441600 | WASHER 4,3 | 3 | 4,3 DIN 9021 - A3C 140HV | | 0,001 | 4 | 11 | 1 | | |
| 13 | 50445401 | FILL.HEAD SCR.M4X10 | 3 | M 4 x 10 ST A3C | | 0,002 | 4 | 11 | 1 | | |
| 14 | 50335600 | COMBI SCREW M 6X 16 | 3 | M 6 x 16 KZ 1-8.8 A3D | | 0,005 | 4 | 11 | 1 | | |
| 15 | 50144400 | HEXAGON NUT M 6 | 1 | M 6 DIN 934 - 8 A3C | | 0,002 | 4 | 11 | 1 | | |
| 16 | 50170900 | SPRING WASHER 6 | 1 | 6 DIN 128 - A3C | | 0,001 | 4 | 11 | 1 | | |
| 17 | 04103300 | BUSH | 1 | part run out no successor | | 0,000 | 0 | 11 | 7 | | |
| 18 | 50392800 | RUBBER SLEEVE | 1 | | | 0,001 | 4 | 11 | 1 | | |
| 19 | 01326800 | PARTING SHEET | 1 | E-Start IMT 99585 | | 0,570 | 0 | 21 | 0 | | |
| 20 | 04099500 | SEALING RING | 1 | | | 0,001 | 1 | 21 | 1 | | |
| 21 | 04098400 | SPAC.TUBE 7X12X16,3 | 4 | 7 x 12 x 16,3 | | 0,004 | 1 | 11 | 1 | | |
| 22 | 01326700 | PARTING SHEET | 1 | IMT 99585 | | 0,570 | 9 | 11 | 0 | | |
| 23 | 01326200 | COOLING AIR DUCT. | 1 | | | 0,171 | 1 | 11 | 1 | | |
| 24 | _noorder | No single order | - | | | | | | | | |
| 25 | 04111500 | SEALING STRIP 119MM | 1 | 119 mm | | 0,009 | 1 | 11 | 1 | | |
| 26 | 05108100 | SEALING STRIP495MM | 1 | 495 mm | | 0,046 | 1 | 11 | 1 | | |
| 27 | 04124600 | SEALING STRIP 388MM | 1 | 388 mm | | 0,036 | 1 | 11 | 1 | | |
| 28 | _nopart | Not in this engine | - | | | | | | | | |
| 29 | 03575500 | RUBBER SEAL RING | 3 | | | 0,002 | 1 | 11 | 1 | | |

**ORYGINALNE CZĘŚCI ZAMIENNE SERWIS GWARANCYJNY I POGWARANCYJNY WYMIARY
SERWISOWE ORAZ KATALOGI CZĘŚCI ZAMIENNYCH NA STRONIE WWW.WOBIS.PL/SERWIS**

| Pos. | Part no. | Description | Qty. | Notice | Add. notice | kg | EA | TA | DA | dDPW | List price |
|------|----------|---------------------|--------|--------------------------------|-------------|-------|----|----|----|------|------------|
| 30 | 00921400 | SPACER BUSH | 3 | | | 0,017 | 1 | 11 | 1 | | |
| 31 | 05081700 | SPACER | 1 | | | 0,000 | 0 | 11 | 7 | | |
| 32 | 50453300 | RUBBER SLEEVE | 1 | | | 0,002 | 4 | 11 | 1 | | |
| 33 | 01599600 | SUPPORT | 1 | part was replaced by 01599610 | | 0,000 | 0 | 11 | 7 | | |
| 34 | 50207900 | HEXSCREW M 6X20 | 1 | M 6 x 20 DIN 933-8.8 A3C | | 0,006 | 4 | 11 | 1 | | |
| 35 | 50328000 | CTR.SUNK SCR.AM6X16 | 1 | AM 6 x 16 17065 - 8.8 Zn | | 0,004 | 4 | 11 | 1 | | |
| 36 | 50095100 | SPRING WASHER A 8 | 1 | A 8 DIN 137 A3C | | 0,001 | 4 | 11 | 1 | | |
| 37 | 50344700 | HEXAGON NUT M 8 | 1 | M 8 DIN 936 - 5 A3C | | 0,004 | 4 | 11 | 1 | | |
| 38 | 50144500 | FLAT WASHER 6,4 | 2 | 6,4 DIN 125-St A3C | | 0,001 | 4 | 11 | 1 | | |
| 39 | 50170900 | SPRING WASHER 6 | 2... 3 | 6 DIN 128 - A3C | | 0,001 | 4 | 11 | 1 | | |
| 40 | 50144400 | HEXAGON NUT M 6 | 1... 2 | M 6 DIN 934 - 8 A3C | | 0,002 | 4 | 11 | 1 | | |
| 41 | 04119100 | TUBE 6X 8X14 | 3 | 6 x 8 x 14 | | 0,001 | 9 | 11 | 0 | | |
| 42 | 50458100 | STUD M 6 X45 | 2 | M 6 x 45 DIN 835 - 8.8 A3C | | 0,011 | 4 | 11 | 1 | | |
| 43 | 05007300 | SEALING STRIP 48 | 1 | 48 mm | | 0,004 | 1 | 11 | 1 | | |
| 44 | _nopart | Not in this engine | - | | | | | | | | |
| 45 | 04119200 | SPACER BUSH | 2 | 6,5 x 13 x 15 | | 0,002 | 1 | 11 | 1 | | |
| 46 | 04116700 | COVER | 1 | | | 0,028 | 9 | 11 | 0 | | |
| 47 | 50464401 | STUD M 6FO X35 | 1 | M 6 x 35 DIN 939- 8.8 A3C Tuf. | | 0,008 | 4 | 11 | 1 | | |
| 48 | 50144400 | HEXAGON NUT M 6 | 1 | M 6 DIN 934 - 8 A3C | | 0,002 | 4 | 11 | 1 | | |
| F | 50223900 | TECHNICOLL CLEANER | 1 | 750 GR | | 0,870 | 4 | 12 | 0 | | |
| F | 50223800 | TECHNICL.ADHES.8058 | 1 | 750 GR | | 0,875 | 4 | 12 | 0 | | |
| | | | | | | | | | | | |
| | | | | | | | | | | | |
| | | | | | | | | | | | |
| | | | | | | | | | | | |
| | | | | | | | | | | | |
| | | | | | | | | | | | |
| | | | | | | | | | | | |
| | | | | | | | | | | | |
| | | | | | | | | | | | |
| | | | | | | | | | | | |
| | | | | | | | | | | | |
| | | | | | | | | | | | |





HATZ DIESEL

WARTUNG · MAINTENANCE
ENTRETIEN · MANTENIMIENTO
MANUTENZIONE

8-15 250
STUNDEN · HOURS · HEURES
HORAS · ORE

500

BEI BEDARF
IF NECESSARY
SI NECESSAIRE
EN CASO DE
NECESIDAD
SE NECESSARIO

IN 0.1 mm
0.004 "

051 104 01

1B20

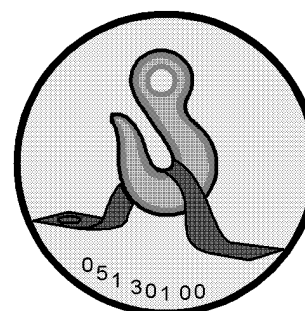
2

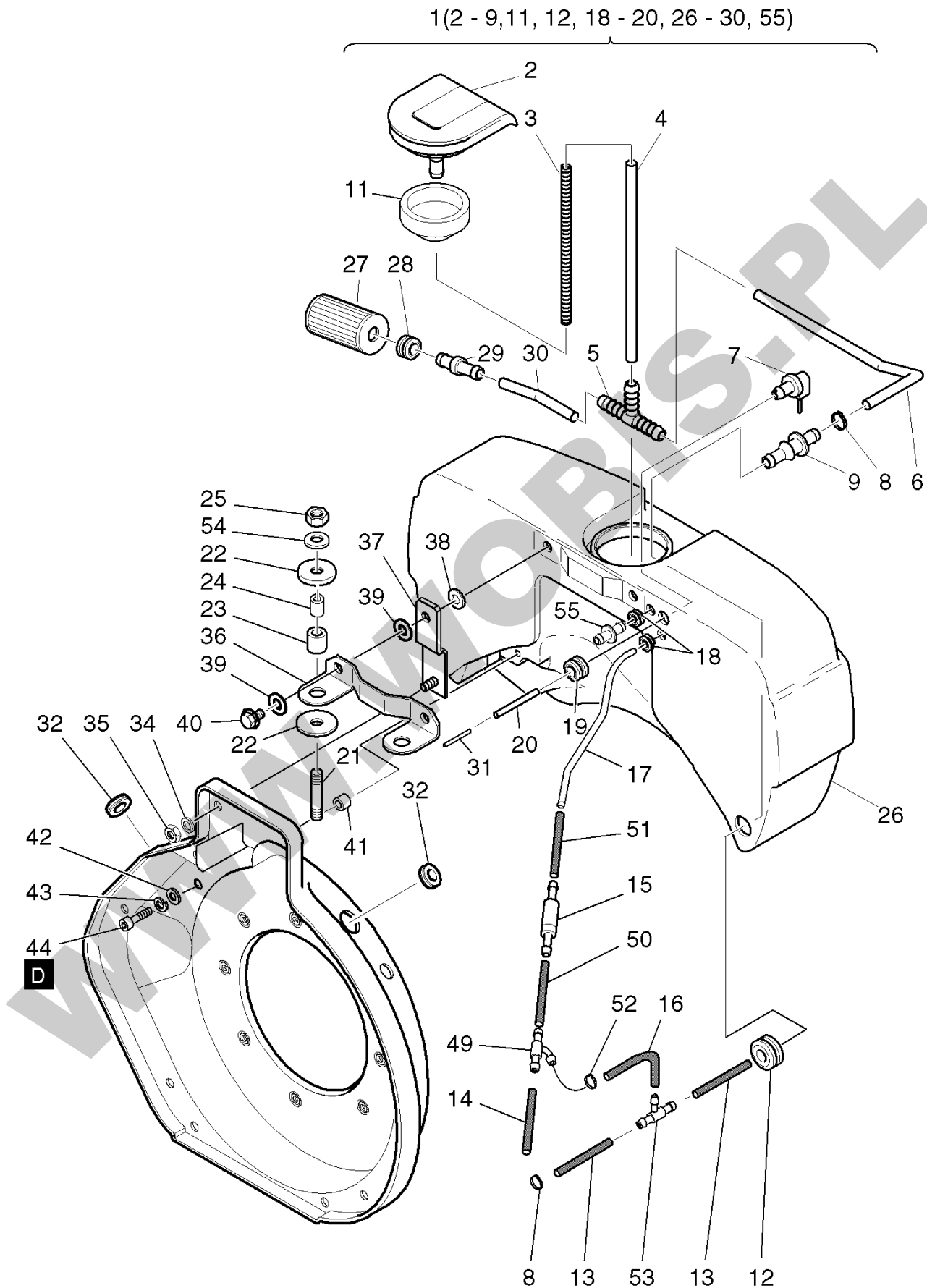
COMPR. 1

START 3

2

051 300 00



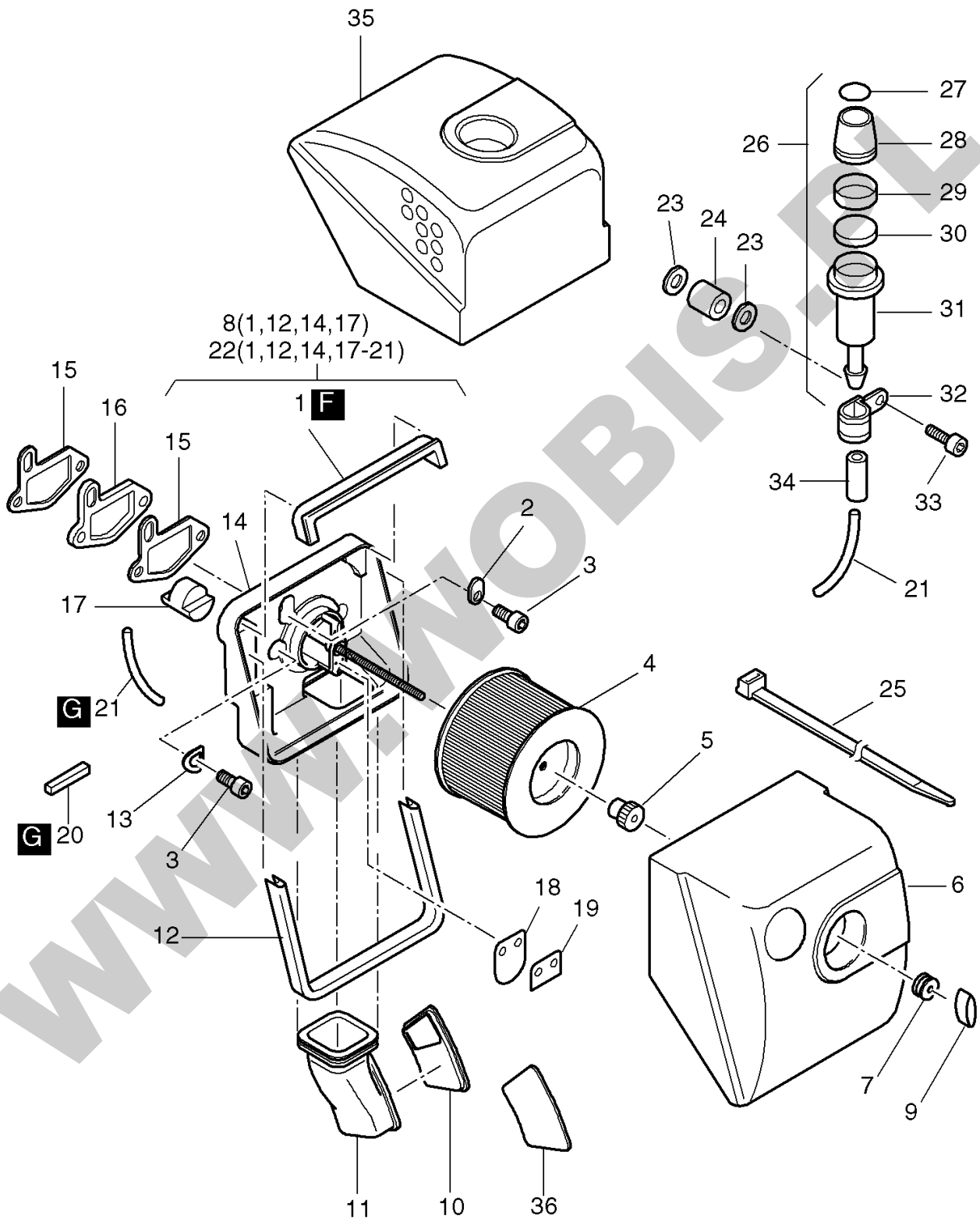


**ORYGINALNE CZĘŚCI ZAMIENNE SERWIS GWARANCYJNY I POGWARANCYJNY WYMIARY
SERWISOWE ORAZ KATALOGI CZĘŚCI ZAMIENNYCH NA STRONIE WWW.WOBIS.PL/SERWIS**

| Pos. | Part no. | Description | Qty. | Notice | Add. notice | kg | EA | TA | DA | dDPW | List price |
|------|----------|---------------------|------|--|-------------|-------|----|----|----|--------|------------|
| 1 | 01588610 | FUEL TANK 5L 1B30 | 1 | | | 1,503 | 1 | 21 | 0 | | |
| 2 | 01535300 | CAP F. FUEL TANK | 1 | part was replaced by 01535301 | | 0,083 | 0 | 21 | 7 | | |
| 3 | _nopart | Not in this engine | - | | | | | | | | |
| 4 | 05085100 | FUEL HOSE 7 X 165 | 1 | 7 x 165 | | 0,001 | 1 | 21 | 0 | | |
| 5 | 50440600 | HOSE NIPPLE T | 1 | | | 0,004 | 4 | 21 | 1 | | |
| 6 | 05137000 | FUEL PIPE 7,0X 220 | 1 | | | 0,016 | 1 | 21 | 0 | | |
| 7 | 01534900 | FUEL VENT. VALVE | 1 | | | 0,004 | 1 | 21 | 1 | | |
| 8 | 50441100 | HOSE CLIP | 2 | 11,8-505R | | 0,003 | 4 | 21 | 1 | P1 | |
| 9 | 05084000 | CONNECTING NIPPLE | 1 | | | 0,006 | 9 | 21 | 0 | | |
| 11 | 05086401 | GASKET F. FUEL CAP | 1 | | | 0,028 | 1 | 21 | 1 | | |
| 12 | 50440800 | RUBBER SLEEVE | 1 | | | 0,004 | 4 | 21 | 1 | | |
| 13 | 05123100 | FUEL HOSE 7 / 70 | 1 | 7 x 70 | | 0,005 | 1 | 21 | 1 | | |
| 14 | 05085300 | FUEL HOSE 3,5X 45 | 1 | 3,5 x 45 | | 0,004 | 1 | 21 | 1 | | |
| 15 | 01534600 | FUEL VENTG.VALVE | 1 | part was replaced by 01534601 | | 0,003 | 0 | 21 | 7 | | |
| 16 | 03673300 | FUEL HOSE 5,0X 170 | 1 | 5 x 170 | | 0,011 | 9 | 21 | 0 | | |
| 17 | 05122200 | FUEL PIPE | 1 | | | 0,013 | 9 | 21 | 0 | | |
| 18 | 05130400 | RUBBER SLEEVE | 2 | | | 0,001 | 1 | 21 | 1 | | |
| 19 | 50440900 | RUBBER SLEEVE | 1 | | | 0,001 | 9 | 21 | 0 | | |
| 20 | 05085600 | BREATH. HOSE 1X3X85 | 1 | 1 x 3 x 85 | | 0,002 | 1 | 21 | 1 | | |
| 21 | 50231900 | STUD M 8X 25 | 2 | M 8 x 25 DIN 835-8.8 A3C | | 0,012 | 4 | 11 | 1 | | |
| 22 | 05109810 | DISC 8,20X22X2 | 4 | 8,2 x 22 x 2 | | 0,001 | 1 | 21 | 1 | | |
| 23 | 05086810 | RUBBER SHELL | 2 | | | 0,004 | 1 | 21 | 1 | | |
| 24 | 05122800 | INSULATING SLEEVE | 2 | | | 0,001 | 1 | 21 | 1 | | |
| 25 | 40028400 | HEX.NUT M 8 | 2 | VM 8 DIN 980-8 C3A | | 0,008 | 4 | 11 | 1 | zzNein | |
| 26 | _noorder | No single order | - | | | | | | | | |
| 27 | 01635200 | FUEL FILTER | 1 | 1B20: Serie 10-24 1B30: Serie 10-19 1B20V/30V/40V part was replaced by 01635210 | | 0,014 | 0 | 22 | 7 | W2 | |
| 28 | 50440900 | RUBBER SLEEVE | 1 | | | 0,001 | 9 | 21 | 0 | | |
| 29 | 05084400 | CONNECTING NIPPLE | 1 | part was replaced by 05084401 | | 0,011 | 0 | 21 | 7 | | |

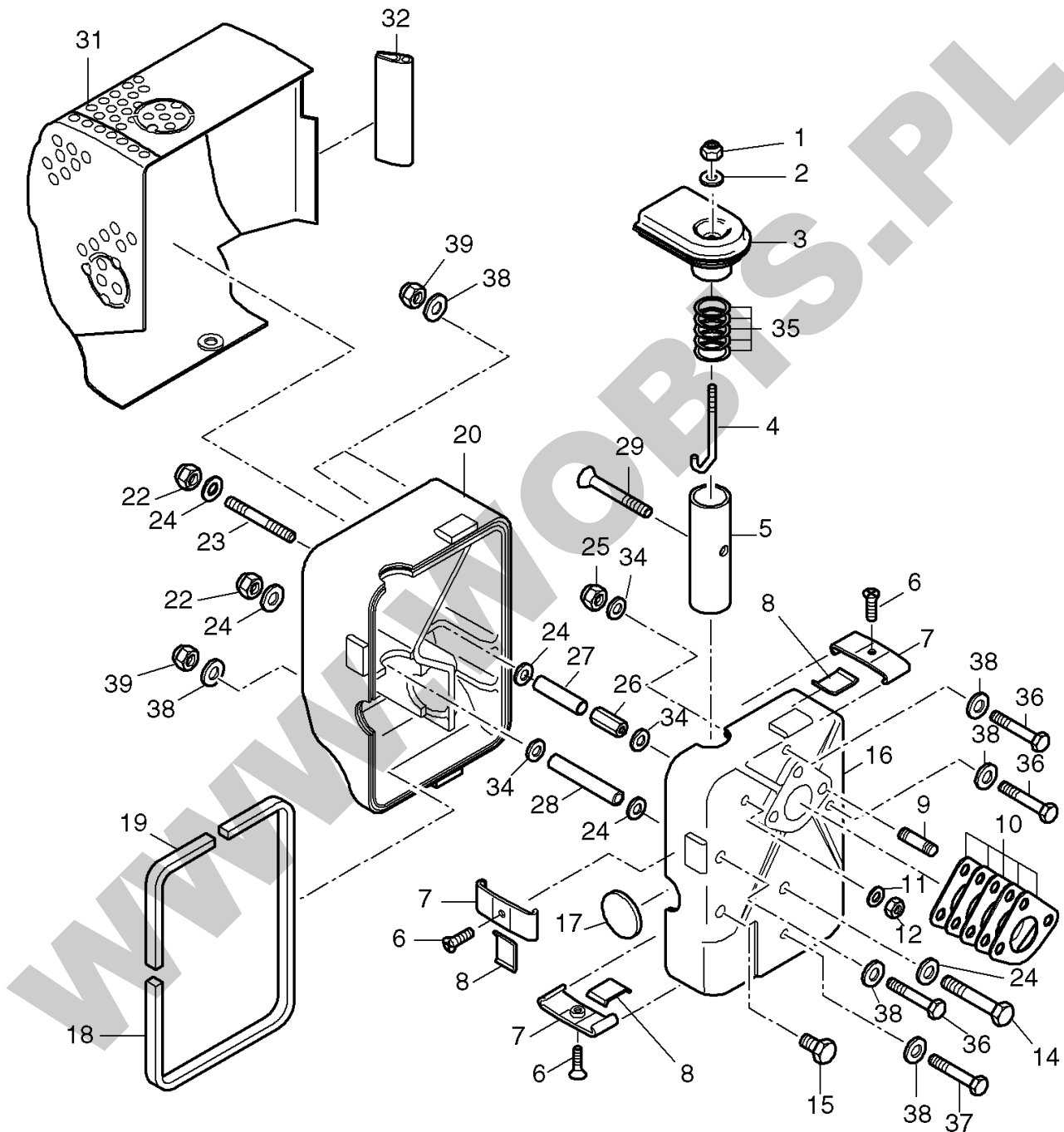
**ORYGINALNE CZĘŚCI ZAMIENNE SERWIS GWARANCYJNY I POGWARANCYJNY WYMIARY
SERWISOWE ORAZ KATALOGI CZĘŚCI ZAMIENNYCH NA STRONIE WWW.WOBIS.PL/SERWIS**

| Pos. | Part no. | Description | Qty. | Notice | Add. notice | kg | EA | TA | DA | dDPW | List price |
|------|----------|---------------------|------|--------------------------|-------------|-------|----|----|----|------|------------|
| 30 | 05136900 | FUEL PIPE 7,0X 80 | 1 | | | 0,006 | 1 | 21 | 0 | | |
| 31 | 05085500 | TUBE 2X0,3X 16 | 1 | 2 x 0,3 x 16 | | 0,001 | 1 | 21 | 1 | | |
| 32 | _nopart | Not in this engine | - | | | | | | | | |
| 34 | 50170900 | SPRING WASHER 6 | 2 | 6 DIN 128 - A3C | | 0,001 | 4 | 11 | 1 | | |
| 35 | 50144400 | HEXAGON NUT M 6 | 2 | M 6 DIN 934 - 8 A3C | | 0,002 | 4 | 11 | 1 | | |
| 36 | 05122300 | SUPPORT | 1 | | | 0,060 | 1 | 21 | 1 | | |
| 37 | 01331300 | SUPPORT | 2 | | | 0,018 | 1 | 21 | 1 | | |
| 38 | 50120000 | DISC A 6,4 | 2 | A 6,4 DIN 9021-St A3C | | 0,003 | 4 | 11 | 1 | | |
| 39 | 05110010 | DISC 7,1X17,9X2 | 4 | 7,1 x 17,9 x 2 | | 0,001 | 1 | 11 | 1 | | |
| 40 | 01588900 | HEXSCREW M 6X 16 | 2 | M 6 x 16 | | 0,007 | 1 | 21 | 0 | | |
| 41 | 04118800 | DISC 6,5X13X4,8 | 4 | 6,5 x 13 x 4,8 | | 0,001 | 1 | 11 | 1 | | |
| 42 | 50144500 | FLAT WASHER 6,4 | 4 | 6,4 DIN 125-St A3C | | 0,001 | 4 | 11 | 1 | | |
| 43 | 50170900 | SPRING WASHER 6 | 4 | 6 DIN 128 - A3C | | 0,001 | 4 | 11 | 1 | | |
| 44 | 50170700 | ALL.SCR.M 6 X 16 | 4 | M 6 x 16 DIN 912-8.8 A3C | | 0,006 | 4 | 11 | 1 | | |
| 49 | 05122701 | HOSE NIPPLE T | 1 | | | 0,002 | 1 | 21 | 1 | | |
| 50 | 05123200 | FUEL HOSE 3,5 / 40 | 1 | 3,5 x 40 | | 0,004 | 1 | 01 | 1 | | |
| 51 | 04060400 | FUEL HOSE 5,0 X 100 | 1 | 5 x 2,5 - 100 mm | | 0,008 | 9 | 11 | 0 | | |
| 52 | 50399801 | CLAMP 11,3 | 1 | 11,3 | | 0,002 | 4 | 11 | 1 | | |
| 53 | 50459600 | HOSE NIPPLE "T" | 1 | | | 0,003 | 4 | 21 | 1 | | |
| 54 | 50148100 | FLAT WASHER 8,4 | 2 | 8,4 DIN 125-St A3C | | 0,002 | 4 | 11 | 1 | | |
| 55 | 05129610 | CONNECTING NIPPLE | 1 | | | 0,003 | 1 | 21 | 1 | | |
| D | 50223300 | LOCTITE 221 | 1 | 50 ML | | 0,077 | 4 | 12 | 0 | | |
| | | | | | | | | | | | |
| | | | | | | | | | | | |
| | | | | | | | | | | | |
| | | | | | | | | | | | |
| | | | | | | | | | | | |
| | | | | | | | | | | | |
| | | | | | | | | | | | |
| | | | | | | | | | | | |
| | | | | | | | | | | | |



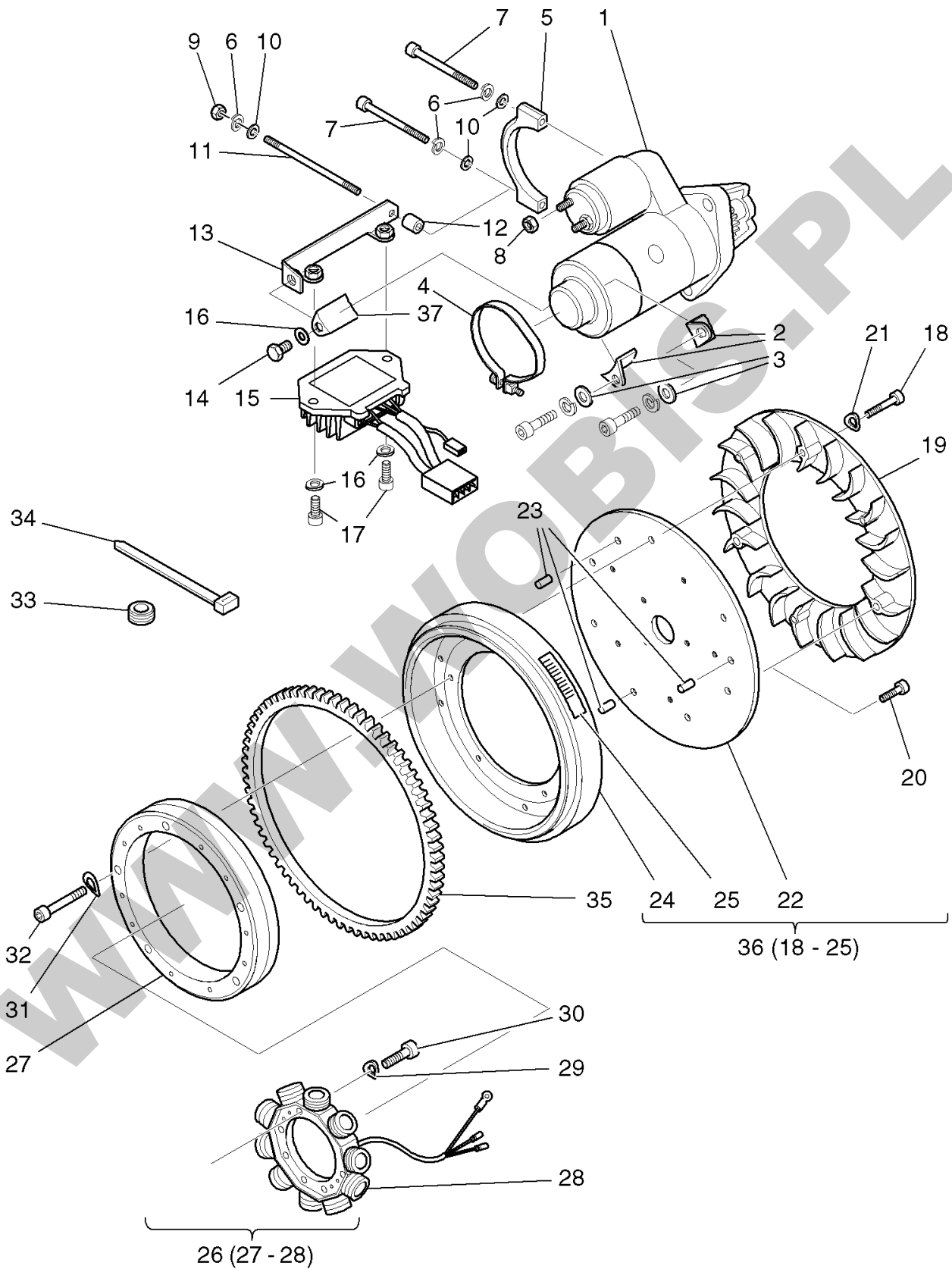
**ORYGINALNE CZĘŚCI ZAMIENNE SERWIS GWARANCYJNY I POGWARANCYJNY WYMIARY
SERWISOWE ORAZ KATALOGI CZĘŚCI ZAMIENNYCH NA STRONIE WWW.WOBIS.PL/SERWIS**

| Pos. | Part no. | Description | Qty. | Notice | Add. notice | kg | EA | TA | DA | dDPW | List price |
|------|----------|---------------------|------|-------------------------------|-------------|-------|----|----|----|------|------------|
| 1 | 05107600 | SEALING STRIP | 1 | | | 0,019 | 1 | 21 | 3 | | |
| 2 | 05056400 | WASHER | 1 | | | 0,003 | 1 | 21 | 1 | | |
| 3 | 50171500 | ALL.SCR.M 8X 25 | 3 | M 8 x 25 DIN 912-8.8 A3C | | 0,015 | 4 | 11 | 1 | | |
| 4 | 50426000 | AIRFILTER ELEMENT | 1 | | | 0,102 | 4 | 21 | 1 | W2 | |
| 5 | 50454300 | KNURLED NUT M 6 | 1 | M 6 | | 0,002 | 4 | 21 | 1 | | |
| 6 | 05107500 | COVER F. AIRFILTER | 1 | part was replaced by 05107501 | | 0,000 | 0 | 21 | 7 | | |
| 7 | 50435800 | RUBBER SLEEVE | 1 | | | 0,002 | 4 | 21 | 1 | | |
| 8 | _nopart | Not in this engine | - | | | | | | | | |
| 9 | 50452200 | WING NUT M6 | 1 | M 6 | | 0,011 | 4 | 21 | 1 | | |
| 10 | 04116600 | COVER F.RUBB.INSERT | 1 | | | 0,019 | 1 | 21 | 1 | | |
| 11 | 04116501 | RUBBER INSERT | 1 | | | 0,090 | 1 | 11 | 1 | | |
| 12 | 05056100 | SEALING STRIP 365MM | 1 | 365 mm | | 0,032 | 1 | 21 | 3 | | |
| 13 | 50095100 | SPRING WASHER A 8 | 2 | A 8 DIN 137 A3C | | 0,001 | 4 | 11 | 1 | | |
| 14 | 01515100 | AIRFILTER HOUSING | 1 | part was replaced by 01607901 | | 0,465 | 0 | 21 | 7 | | |
| 15 | 05056300 | GASKET AIR FILTER | 2 | | | 0,001 | 1 | 21 | 1 | d2 | |
| 16 | 05088300 | INSULATING FLANGE | 1 | | | 0,008 | 1 | 21 | 1 | | |
| 17 | 05098100 | PLUG | 1 | | | 0,003 | 1 | 21 | 1 | | |
| 18 | _nopart | Not in this engine | - | | | | | | | | |
| 19 | _nopart | Not in this engine | - | | | | | | | | |
| 20 | _nopart | Not in this engine | - | | | | | | | | |
| 21 | _nopart | Not in this engine | - | | | | | | | | |
| 22 | _nopart | Not in this engine | - | | | | | | | | |
| 23 | _nopart | Not in this engine | - | | | | | | | | |
| 24 | _nopart | Not in this engine | - | | | | | | | | |
| 25 | _nopart | Not in this engine | - | | | | | | | | |
| 26 | _nopart | Not in this engine | - | | | | | | | | |
| 27 | _nopart | Not in this engine | - | | | | | | | | |
| 28 | _nopart | Not in this engine | - | | | | | | | | |
| 29 | _nopart | Not in this engine | - | | | | | | | | |
| 30 | _nopart | Not in this engine | - | | | | | | | | |



**ORYGINALNE CZĘŚCI ZAMIENNE SERWIS GWARANCYJNY I POGWARANCYJNY WYMIARY
SERWISOWE ORAZ KATALOGI CZĘŚCI ZAMIENNYCH NA STRONIE WWW.WOBIS.PL/SERWIS**

| Pos. | Part no. | Description | Qty. | Notice | Add. notice | kg | EA | TA | DA | dDPW | List price |
|------|----------|---------------------|------|-------------------------------|-------------|-------|----|----|----|--------|------------|
| 1 | 40028200 | HEX.NUT M 5 | 1 | M 5 DIN 980-8 C3A | | 0,002 | 4 | 11 | 1 | | |
| 2 | 50216300 | WASHER 5,3 | 1 | 5,3 DIN 125-St A3C | | 0,001 | 4 | 11 | 1 | | |
| 3 | 01531311 | EXHAUST END PIPE | 1 | part was replaced by 01531312 | | 0,086 | 0 | 21 | 7 | | |
| 4 | 05081100 | THREADED BOLT M 5 | 1 | | | 0,014 | 9 | 21 | 0 | | |
| 5 | 05081410 | EXHAUST TUBE | 1 | | | 0,090 | 1 | 21 | 5 | | |
| 6 | 50422500 | CTR.SUNK SCR. M6X12 | 3 | M 6 x 12 DIN 7991 - 8.8 A3C | | 0,002 | 0 | 11 | 7 | | |
| 7 | 01531201 | CLAMP | 3 | | | 0,033 | 1 | 21 | 5 | | |
| 8 | 05081610 | SUPPORTING PLATE | 3 | part was replaced by 05081611 | | 0,011 | 9 | 21 | 0 | | |
| 9 | 50128100 | STUD M8X30 | 3 | M 8 x 30 DIN 835 - 10.9 A3C | | 0,013 | 4 | 11 | 1 | | |
| 10 | 05103600 | GASK.F.EXH.SILENCER | 5 | part was replaced by 01732600 | | 0,005 | 9 | 21 | 0 | d5 | |
| 11 | 50144500 | FLAT WASHER 6,4 | 1 | 6,4 DIN 125-St A3C | | 0,001 | 4 | 11 | 1 | | |
| 12 | 40028300 | HEX.NUT M 6 | 1 | VM 6 DIN 980 C3P | | 0,003 | 4 | 11 | 1 | | |
| 14 | 50028900 | HEXSCREW M 8X100 | 1 | M 8 x 100 DIN 933 - 8.8 | | 0,038 | 9 | 21 | 0 | | |
| 15 | 50450500 | HEXSCREW M 8X 12 | 1 | M 8 x 12 DIN 7500 - D A3A | | 0,009 | 4 | 21 | 5 | | |
| 16 | 05103401 | EXH.SIL.INNER PART | 1 | | | 0,937 | 0 | 21 | 7 | | |
| 17 | 05081002 | COVER | 1 | | | 0,007 | 1 | 21 | 5 | | |
| 18 | 05104100 | SEALING STRIP | 1 | | | 0,002 | 1 | 21 | 0 | | |
| 19 | 05104000 | SEALING STRIP | 1 | | | 0,001 | 1 | 21 | 0 | | |
| 20 | 05103500 | EXH.SIL.OUTER PART | 1 | | | 1,110 | 0 | 21 | 7 | | |
| 22 | 40028400 | HEX.NUT M 8 | 3 | VM 8 DIN 980-8 C3A | | 0,008 | 4 | 11 | 1 | zzNein | |
| 23 | 50445201 | STUD M8 X 70 | 1 | M 8 x 70 DIN 939 - 8.8 A3C | | 0,030 | 4 | 21 | 0 | | |
| 24 | 50148100 | FLAT WASHER 8,4 | 6 | 8,4 DIN 125-St A3C | | 0,002 | 4 | 11 | 1 | | |
| 25 | 40028400 | HEX.NUT M 8 | 1 | VM 8 DIN 980-8 C3A | | 0,008 | 4 | 11 | 1 | zzNein | |
| 26 | 05083900 | SPACER NUT M 8 | 1 | M 8 | | 0,003 | 9 | 21 | 0 | | |
| 27 | 05103901 | SPACER TUBE 51,6MM | 1 | | | 0,021 | 1 | 21 | 0 | | |
| 28 | 05103801 | SPACER TUBE 65MM | 1 | | | 0,000 | 0 | 21 | 7 | | |
| 29 | 50445000 | CTR.SUNK SCR.M6X35 | 1 | M 6 x 35 DIN 7991 - 8.8 A3C | | 0,007 | 4 | 11 | 1 | | |
| 31 | _noorder | No single order | - | | | | | | | | |
| 32 | 05100300 | SEALING STRIP 65MM | 1 | 65 mm | | 0,006 | 1 | 21 | 1 | | |
| 34 | 50123000 | DISC 8,4 | 3 | 8,4 DIN 7349 | | 0,008 | 4 | 21 | 1 | | |



**ORYGINALNE CZĘŚCI ZAMIENNE SERWIS GWARANCYJNY I POGWARANCYJNY WYMIARY
SERWISOWE ORAZ KATALOGI CZĘŚCI ZAMIENNYCH NA STRONIE WWW.WOBIS.PL/SERWIS**

| Pos. | Part no. | Description | Qty. | Notice | Add. notice | kg | EA | TA | DA | dDPW | List price |
|------|----------|---------------------|------|---------------------------------|-------------|-------|----|----|----|------|------------|
| 1 | 50426201 | STARTER 12V | 1 | part was replaced by 01723400 | | 3,506 | 9 | 21 | 0 | | |
| 2 | 04138400 | SUPPORT | 2 | | | 0,023 | 1 | 21 | 1 | | |
| 3 | 50148100 | FLAT WASHER 8,4 | 2 | 8,4 DIN 125-St A3C | | 0,002 | 4 | 11 | 1 | | |
| 4 | 04115600 | HOSE CLIP | 1 | part was replaced by 50529800 | | 0,000 | 0 | 21 | 7 | | |
| 5 | 04099100 | RETAINING BRACKET | 1 | | | 0,093 | 1 | 21 | 1 | | |
| 6 | 50170900 | SPRING WASHER 6 | 2 | 6 DIN 128 - A3C | | 0,001 | 4 | 11 | 1 | | |
| 7 | 50444300 | ALL.SCR. M 6 X 80 | 2 | M 6 x 80 DIN 912 - 8.8 A3C | | 0,019 | 4 | 11 | 1 | | |
| 8 | 50023200 | HEXAGON NUT B M 8 | 1 | BM8 DIN 439 - 5 A3C | | 0,002 | 4 | 11 | 1 | | |
| 9 | 50144400 | HEXAGON NUT M 6 | 1 | M 6 DIN 934 - 8 A3C | | 0,002 | 4 | 11 | 1 | | |
| 10 | 50144500 | FLAT WASHER 6,4 | 2 | 6,4 DIN 125-St A3C | | 0,001 | 4 | 11 | 1 | | |
| 11 | 50455900 | STUD MFS 6X 90 | 1 | MFS 6x90 DIN 949 - 1 8.8 A3C | | 0,022 | 4 | 21 | 1 | | |
| 12 | 03671400 | SPACER BUSH | 1 | 7 x 12 x 15 | | 0,020 | 1 | 21 | 1 | | |
| 13 | 01560900 | SUPPORTTENS.REGUL. | 1 | | | 0,068 | 1 | 21 | 1 | | |
| 14 | 50096200 | HEXSCREW M 8X 12 | 1 | M 8 x 12 DIN 933 - 8.8 A3C | | 0,009 | 4 | 21 | 1 | | |
| 15 | 05100701 | TENS.REGULATOR 12V | 1 | 12 V | | 0,253 | 4 | 21 | 0 | | |
| 16 | 50148100 | FLAT WASHER 8,4 | 3 | 8,4 DIN 125-St A3C | | 0,002 | 4 | 11 | 1 | | |
| 17 | 50165400 | ALL.SCR.M 8X 16 | 2 | M 8 x 16 DIN 912-8.8 A3C | | 0,009 | 4 | 21 | 1 | | |
| 18 | 50327300 | ALL.SCR.M 4X 20 | 6 | M 4 x 20 DIN 912 - 8.8 A3C | | 0,003 | 4 | 11 | 1 | | |
| 19 | 01321310 | BLOWER RING | 1 | part was replaced by 04193700 | | 0,227 | 0 | 11 | 7 | | |
| 20 | 50416800 | ALL.SCR. M 6X 16 | 3 | M 6 x 16 DIN 912 - 8.8 A3C Tuf. | | 0,005 | 4 | 11 | 1 | | |
| 21 | 50003400 | SPRING WASHER A 4 | 6 | A 4 DIN 137 - ST | | 0,001 | 4 | 11 | 1 | | |
| 22 | 04098720 | FLANGE | 1 | | | 1,755 | 1 | 21 | 1 | | |
| 23 | 50035200 | PIN 6 X12 | 3 | 6 x 12 ISO 8752-ST | | 0,003 | 4 | 11 | 1 | | |
| 24 | 04110101 | ADD. FLYWHEEL | 1 | part run out no successor | | 0,000 | 0 | 21 | 7 | | |
| 25 | 04117400 | STICKER "TDC" | 1 | „E-Start“ OT | | 0,001 | 9 | 11 | 0 | | |
| 26 | 50435901 | ALTERNATOR 12V 200W | 1 | 12 V | | 1,530 | 4 | 21 | 3 | | |
| 27 | _noorder | No single order | - | | | | | | | | |
| 28 | _noorder | No single order | - | | | | | | | | |
| 29 | 50081900 | SPRING WASHER A 5 | 4 | A 5 DIN 137 A3C | | 0,001 | 4 | 11 | 1 | | |
| 30 | 50427100 | ALL.SCR. M 5X 25 | 4 | M 5 x 25 DIN 912 - 8.8 A3C | | 0,005 | 4 | 11 | 1 | | |

